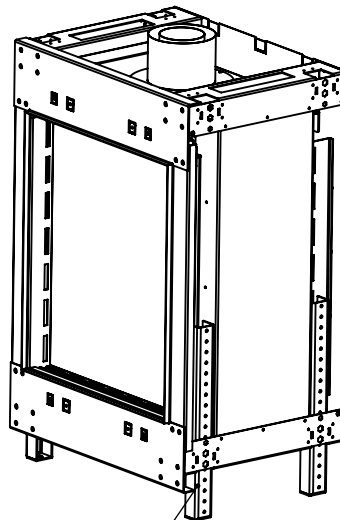
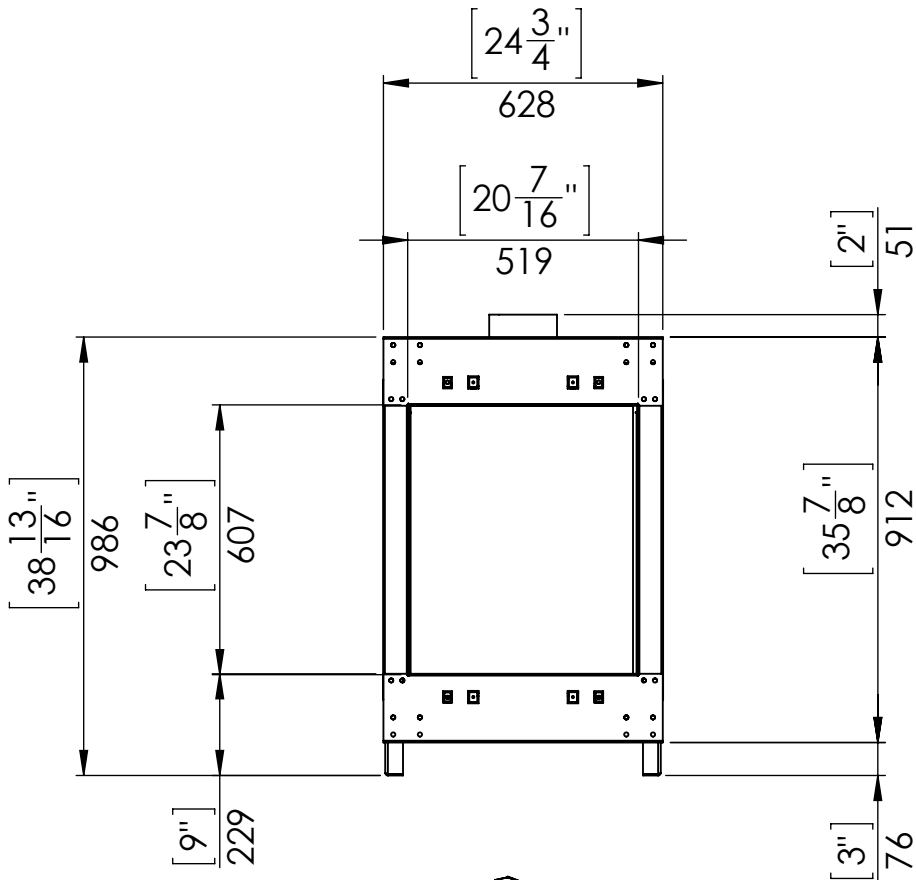
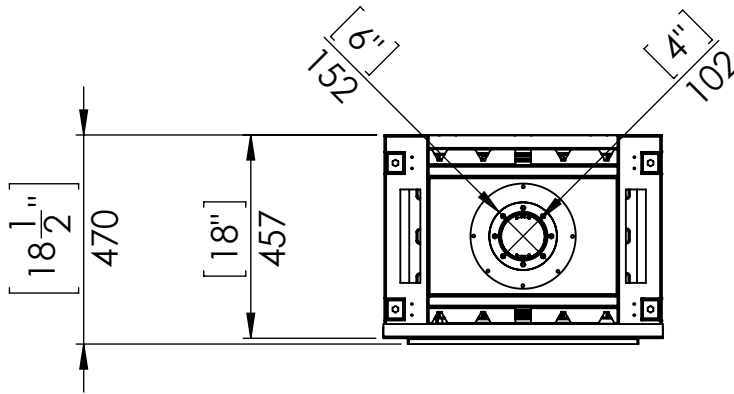
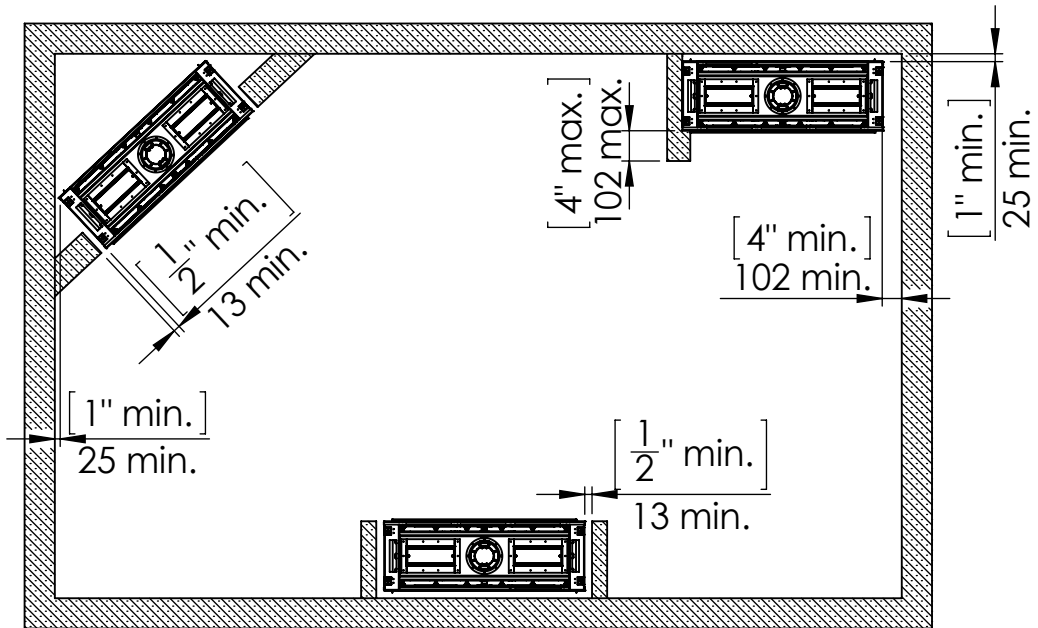


FLARE Front 25



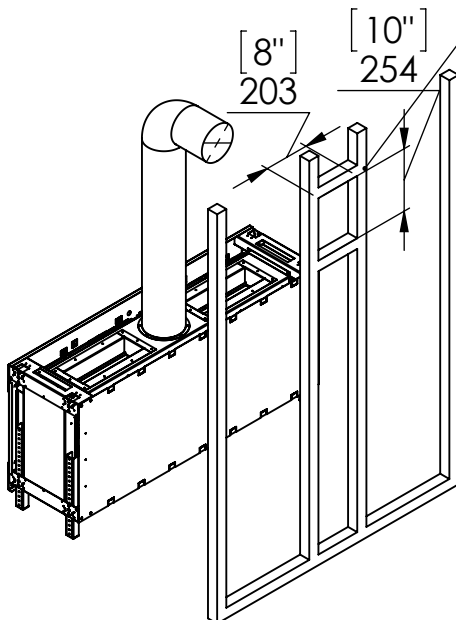
Telescopic Leg Range
(from bottom of glass):
9" - 19"



Chimney Installation

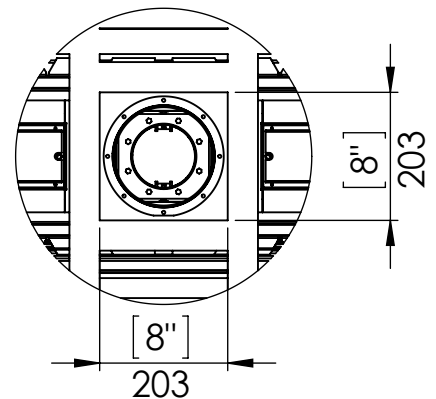
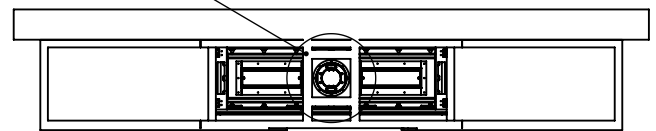
Horizontal Termination

For 4 x 6 vent size create 8" x 10" vent termination opening



Vertical Termination

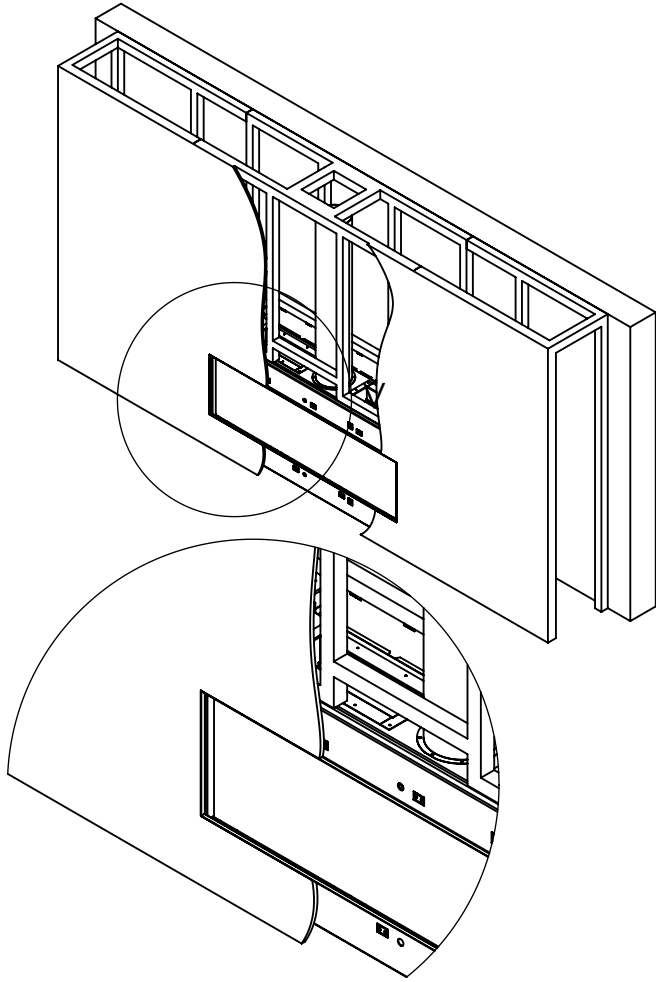
For 4 x 6 vent size create 8" x 8" vent termination opening



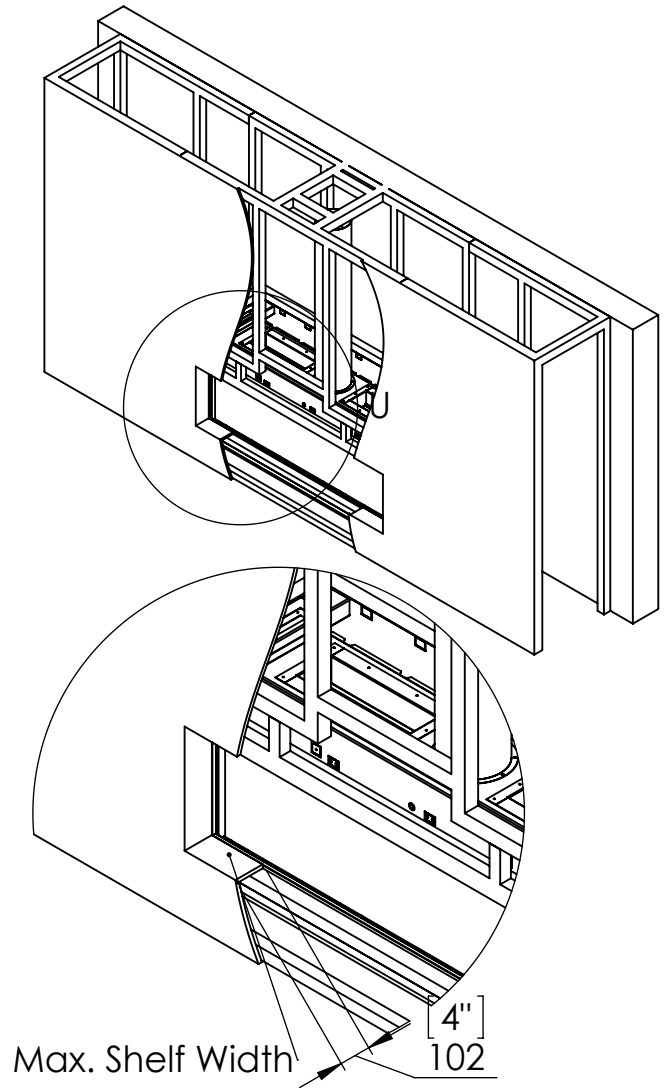


Flat Vs. L Shape Installation For FLARE Front Fireplace

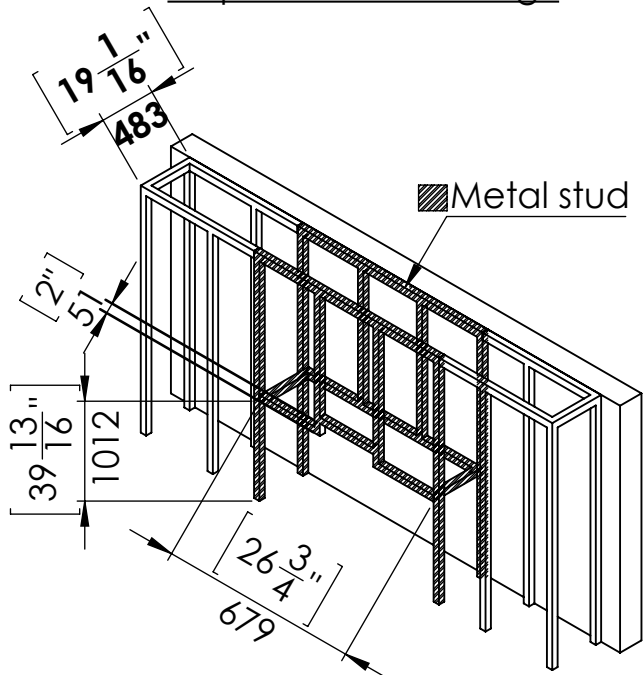
Flat Installation



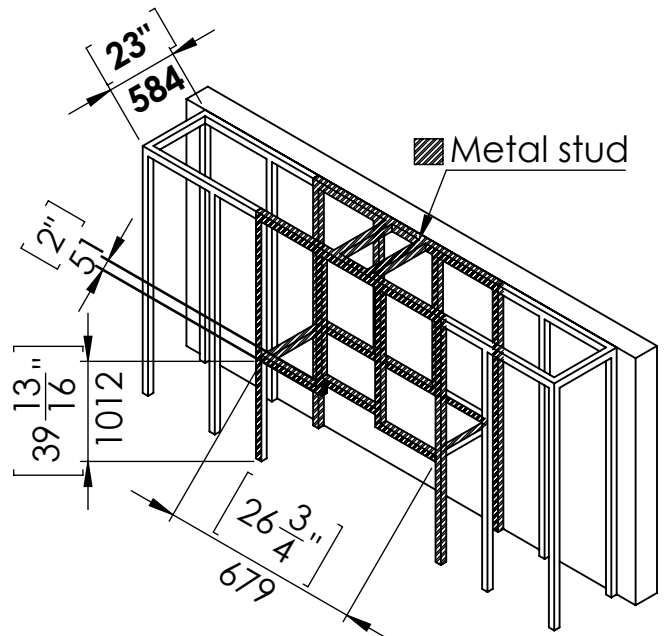
L Shape Installation



Step 1 - Basic Framing :

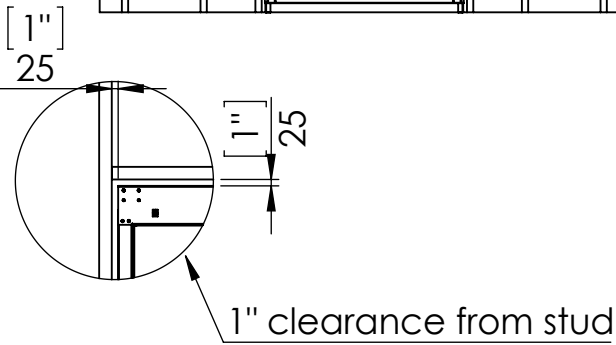
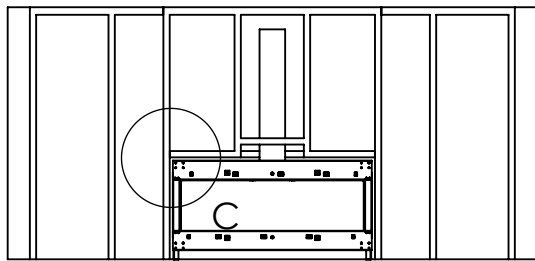
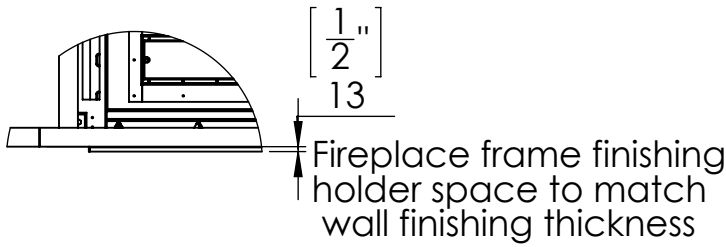
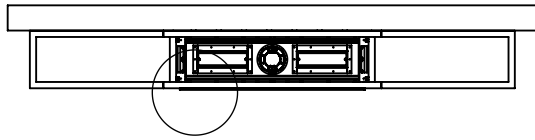


Step 1 - Basic Framing :

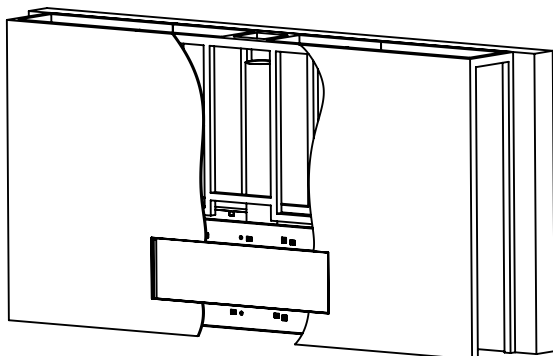


Flat Installation

Step 2 -Positioning the Fireplace:

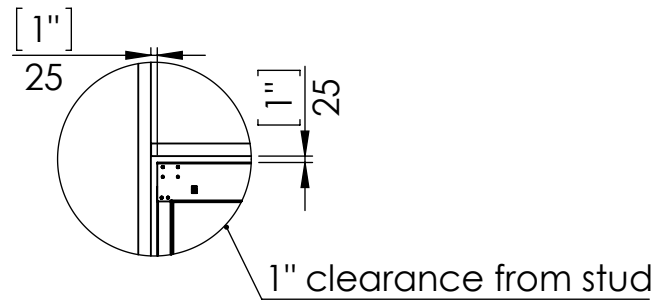
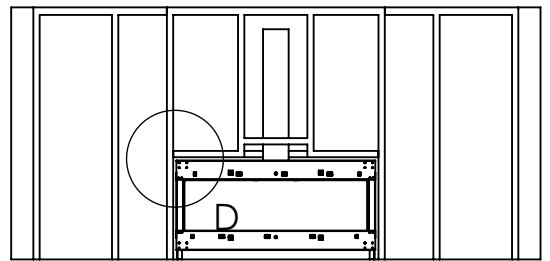
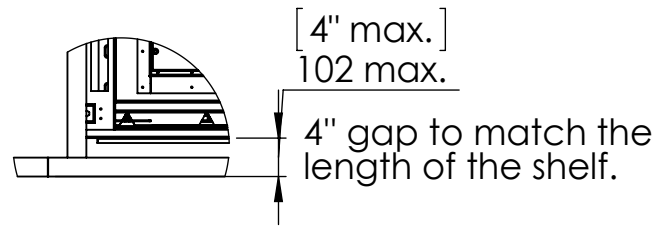
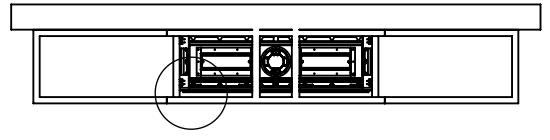


Last Step - Finishing The Fireplace Wall:

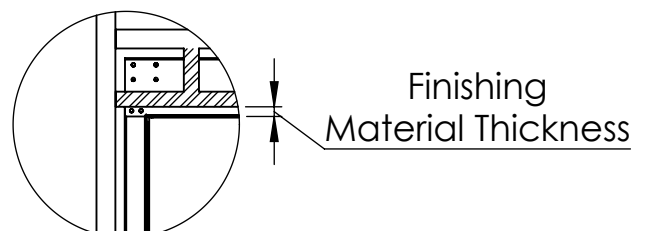
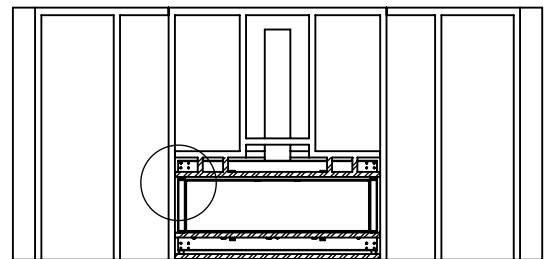


L Shape Installation

Step 2 -Positioning the Fireplace:

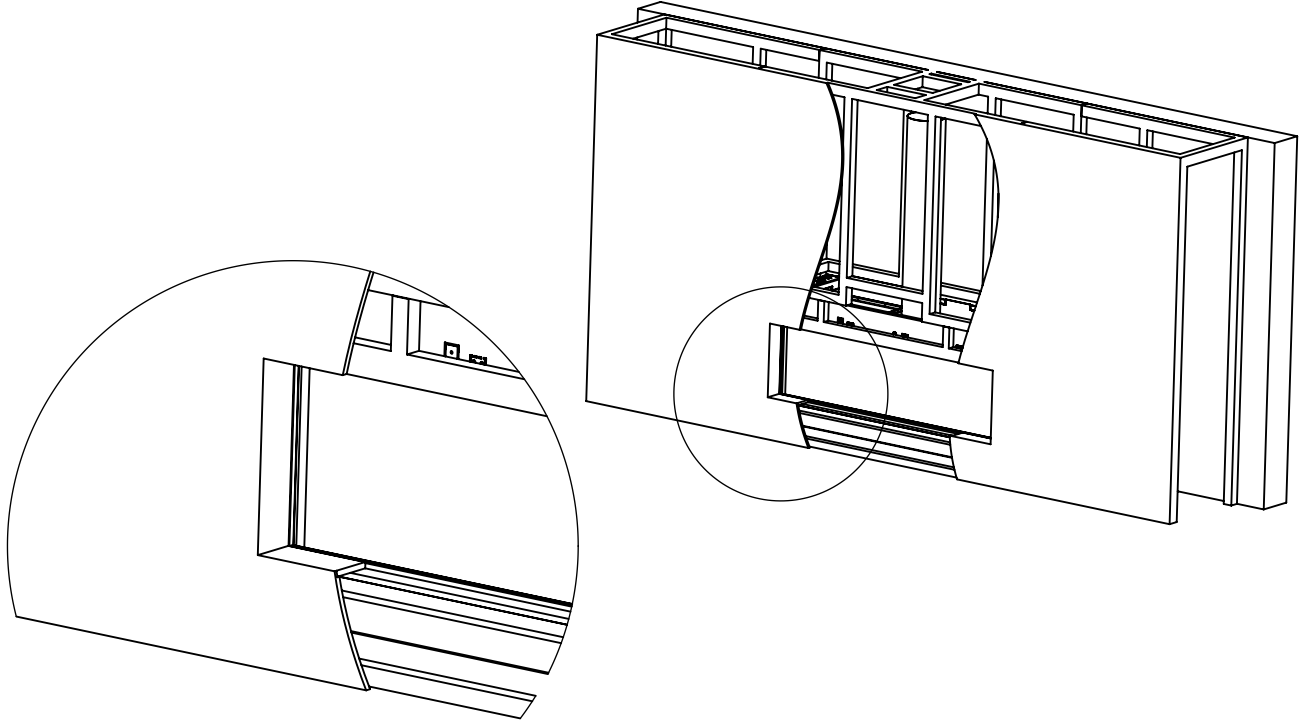


Step 3 - Framing Front Studs For L Shape:



L Shape Finishing Install

Last Step - Finishing The Fireplace Wall:



Specifications for Appliance Flare Front 25

| Factor | NG | LPG |
|-------------------------|--------------|-----------------------|
| Burner Type | 35 | 35 |
| Orifice | 650 | 220 |
| BTU Max. | 30000 | 20000 |
| BTU min. | 17500 | 12500 |
| Kw/h | 8.8k | 5.9k |
| Chimney DIA. | 4X6 | 4X6 |
| Manifold Pressure[w.c] | 5.4 | 8.0 |
| Efficiency rate | 81 | 77 |
| Glass Size Length\Width | 500 X 620 mm | 19" 11/16 X 24" 9/16' |
| Appliance Weigh | 80Kg | 176lb |