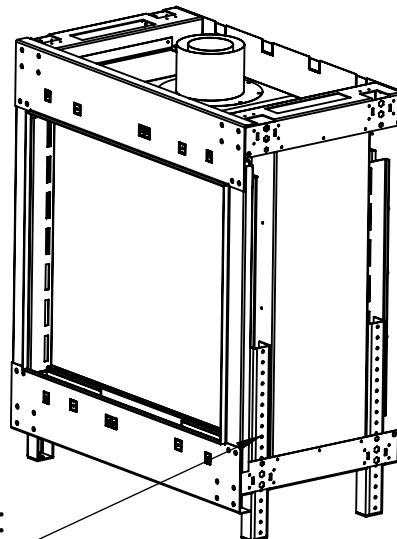
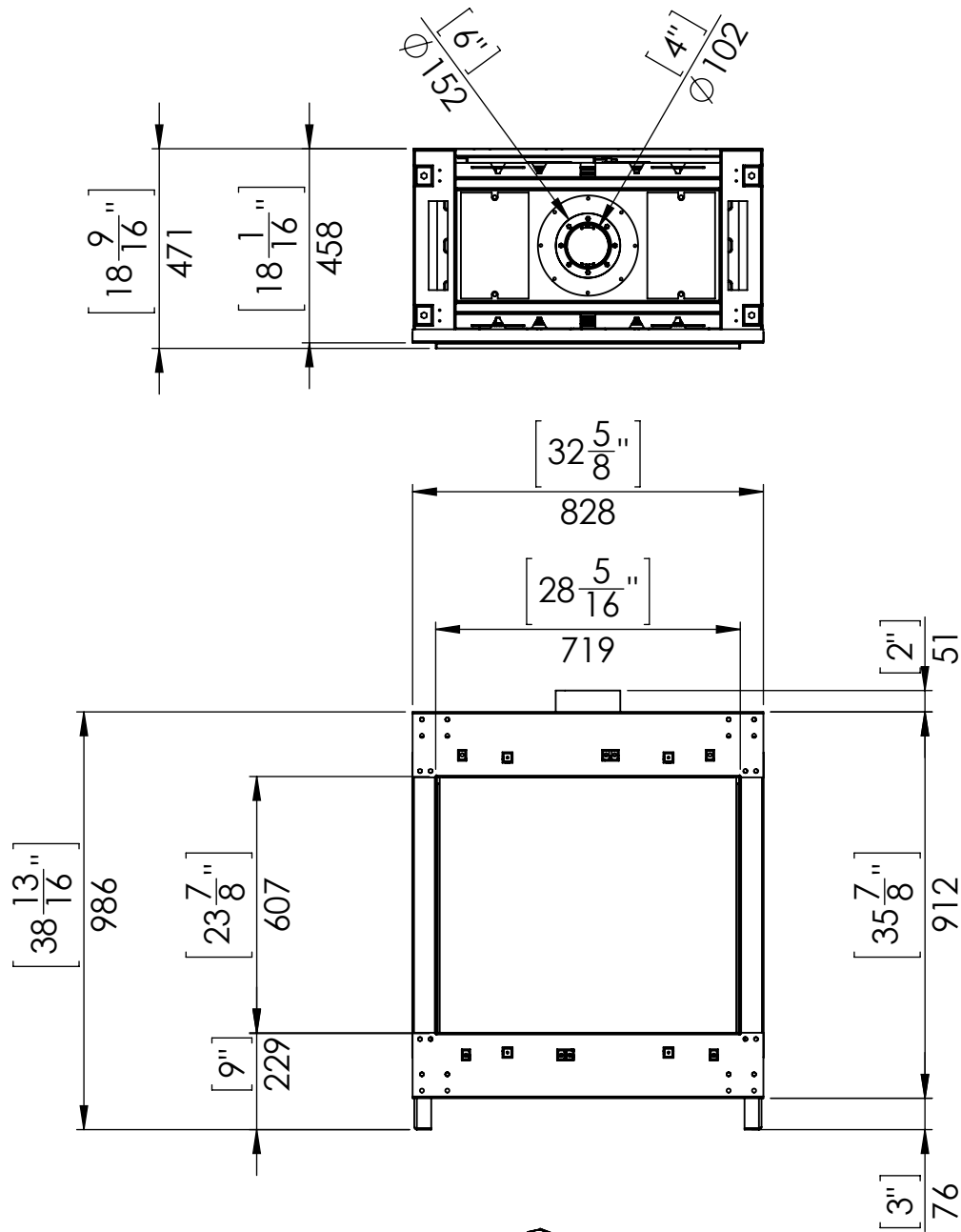
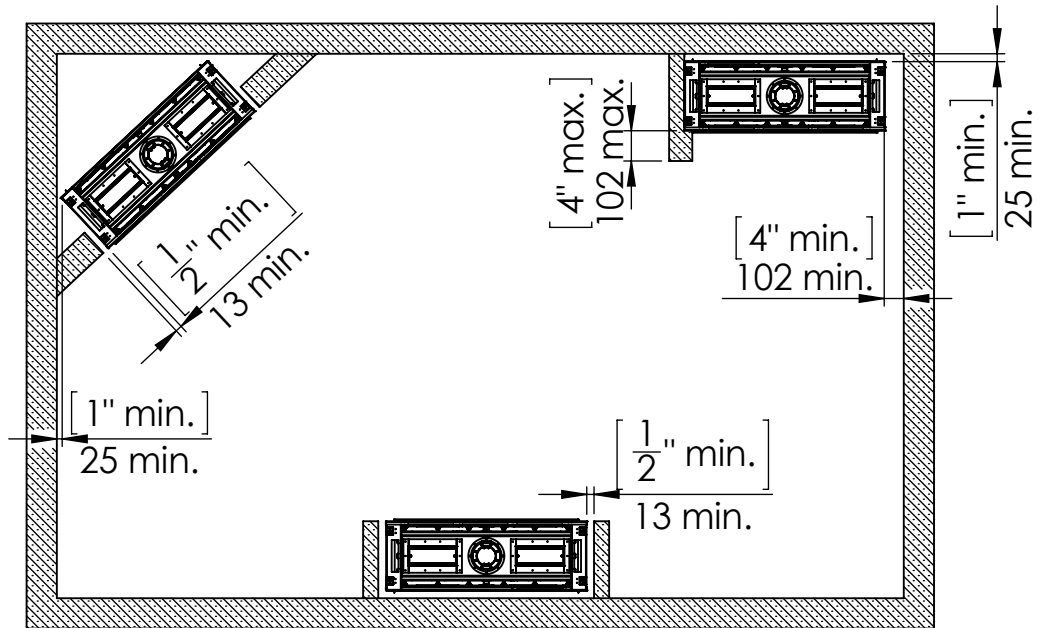


# FLARE Front 30



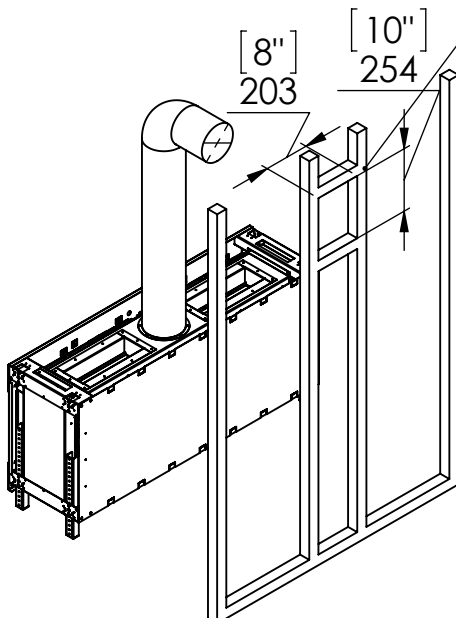
Telescopic Leg Range  
(from bottom of glass):  
9" - 19"



## Chimney Installation

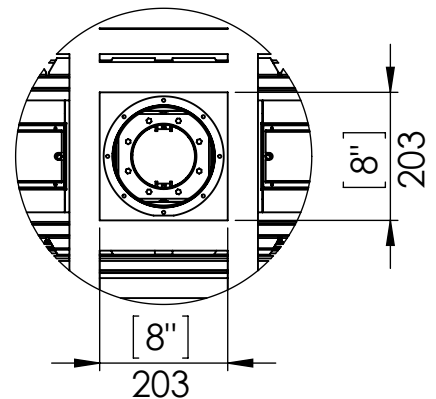
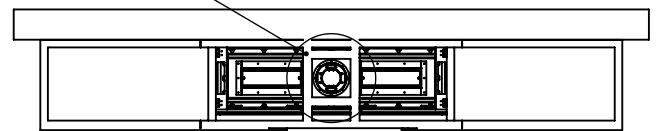
### Horizontal Termination

For 4 x 6 vent size create 8" x 10" vent termination opening



### Vertical Termination

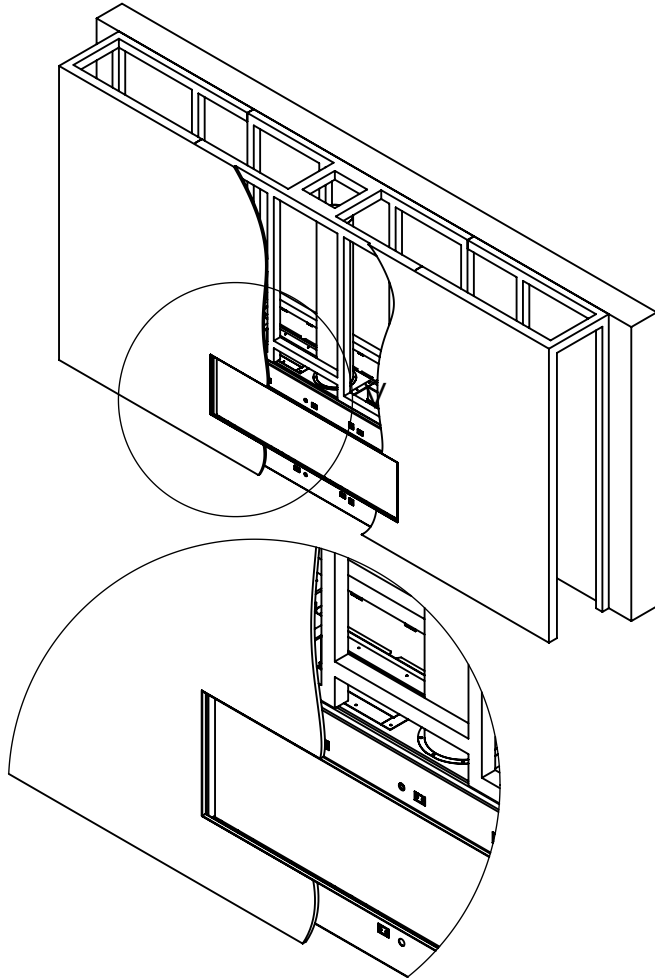
For 4 x 6 vent size create 8" x 8" vent termination opening



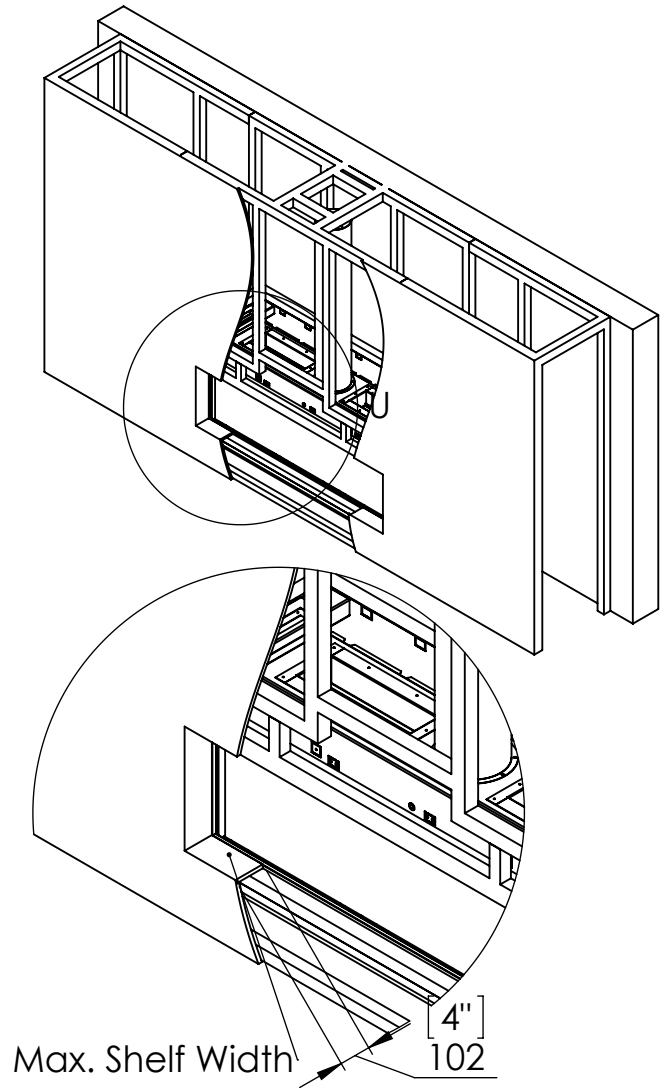


# Flat Vs. L Shape Installation For FLARE Front Fireplace

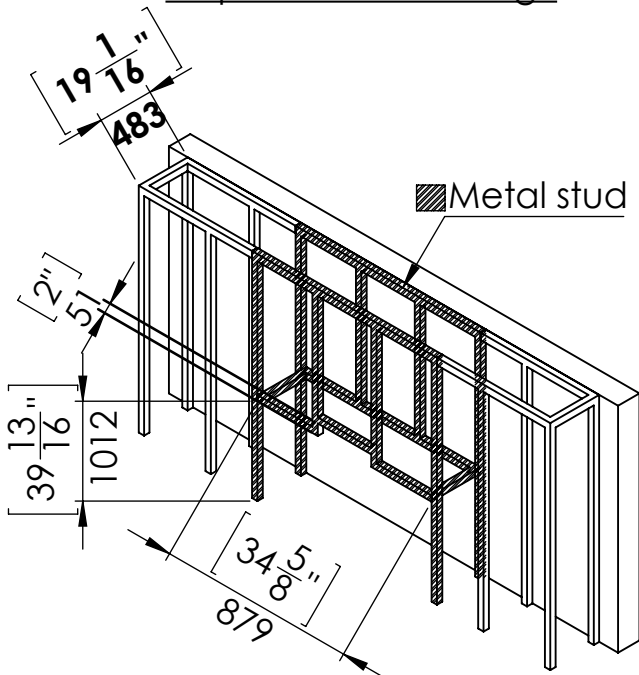
## Flat Installation



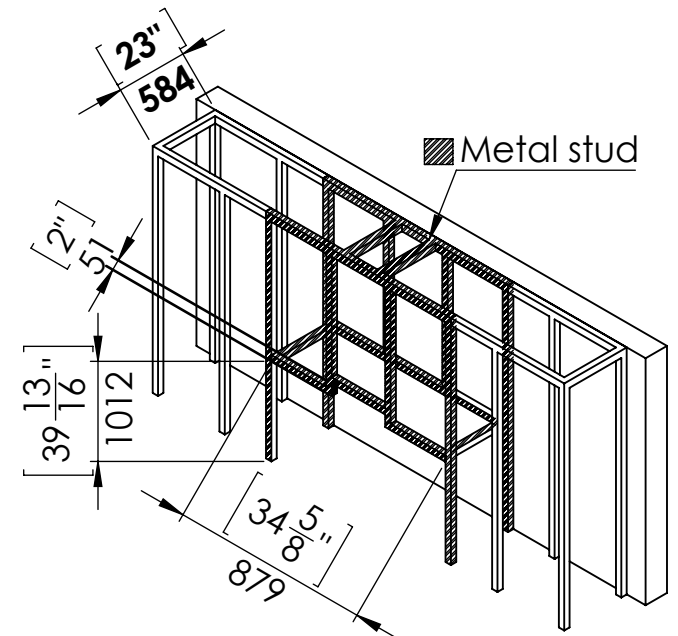
## L Shape Installation



### Step 1 - Basic Framing :

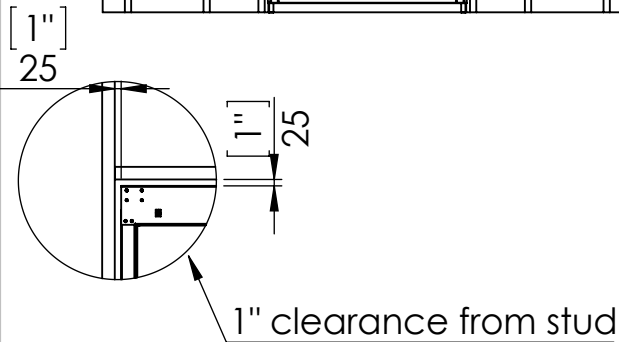
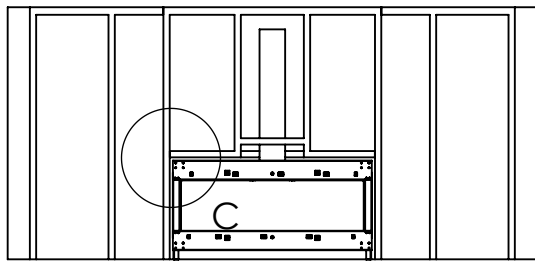
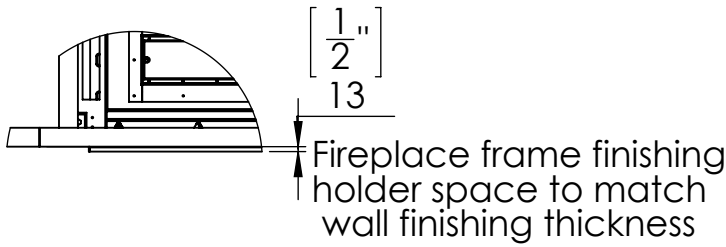
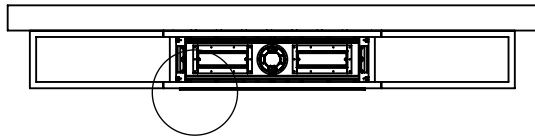


### Step 1 - Basic Framing :

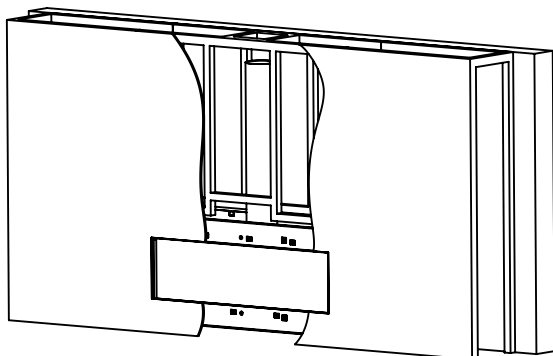


## Flat Installation

Step 2 -Positioning the Fireplace:

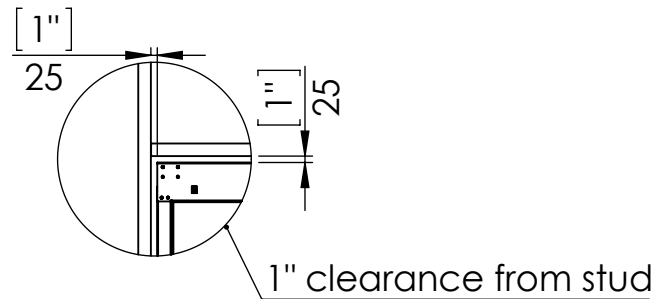
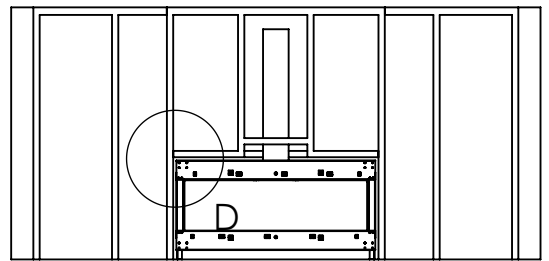
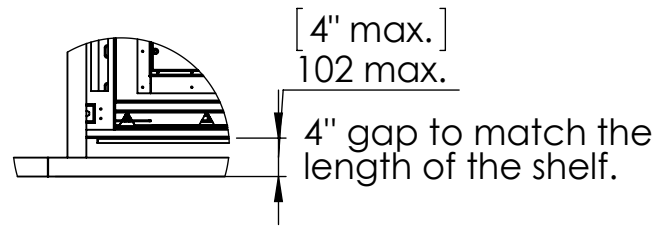
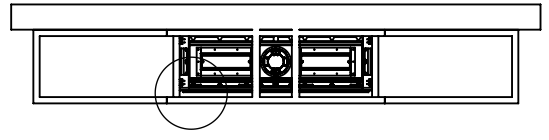


Last Step - Finishing The Fireplace Wall:

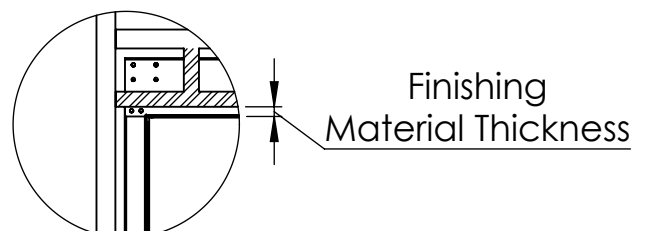
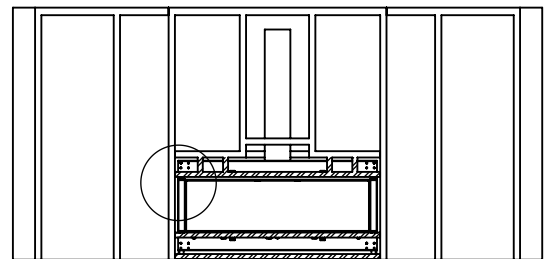


## L Shape Installation

Step 2 -Positioning the Fireplace:

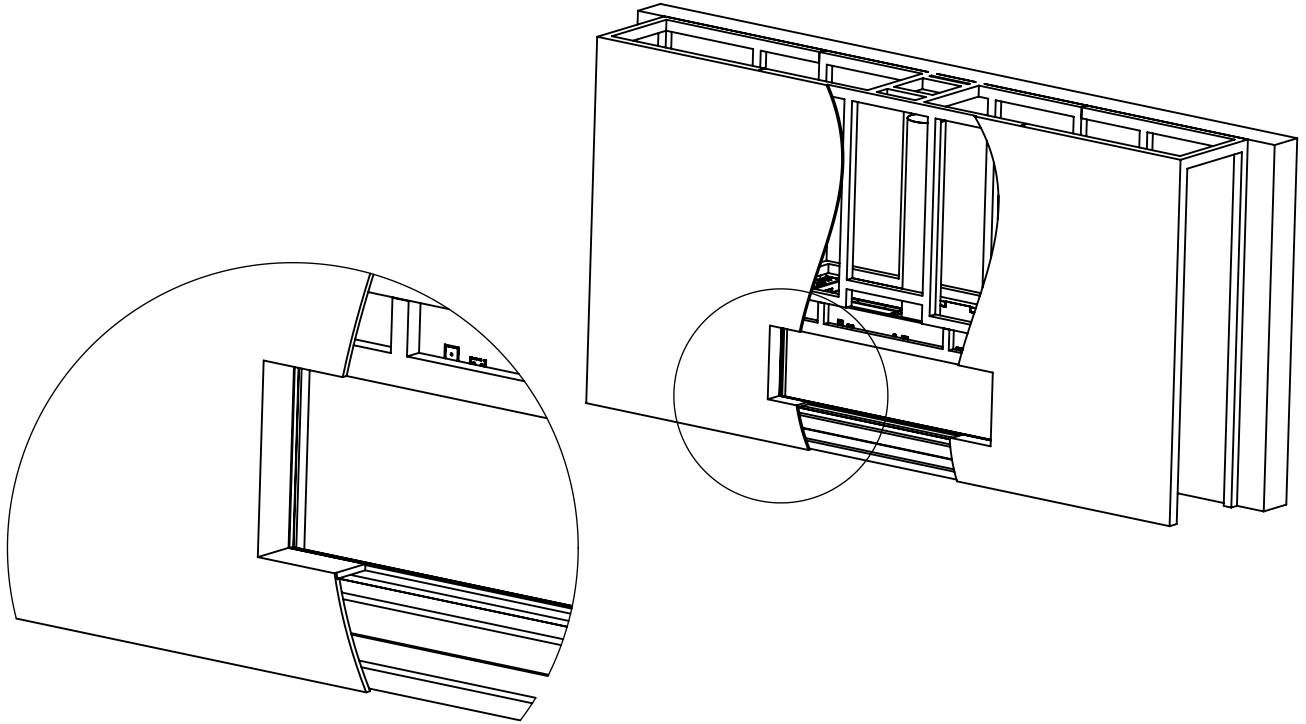


Step 3 - Framing Front Studs For L Shape:



## L Shape Finishing Install

Last Step - Finishing The Fireplace Wall:



## Specifications for Appliance Flare Front 30

Factor	NG	LPG
Burner Type	55	55
Orifice	650	260
BTU Max.	34000	26200
BTU min.	18500	16000
Kw/h	9.9k	7.6k
Chimney DIA.	4X6	4X6
Manifold Pressure[w.c]	6.4	10.6
Efficiency rate	79	81
Glass Size Length\Width	700 X 620 mm	27" 9/16 X 24" 9/16'
Appliance Weigh	100Kg	220lb