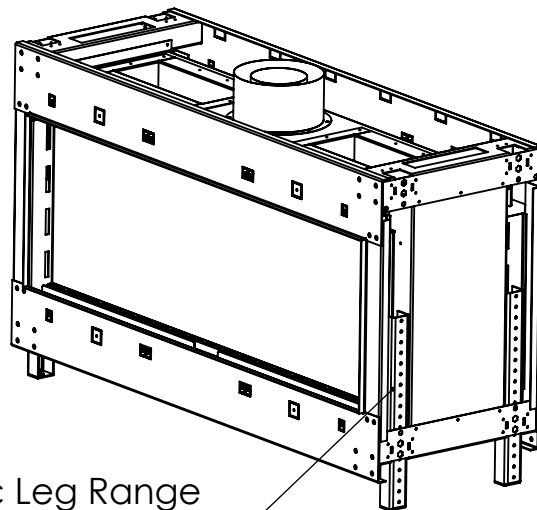
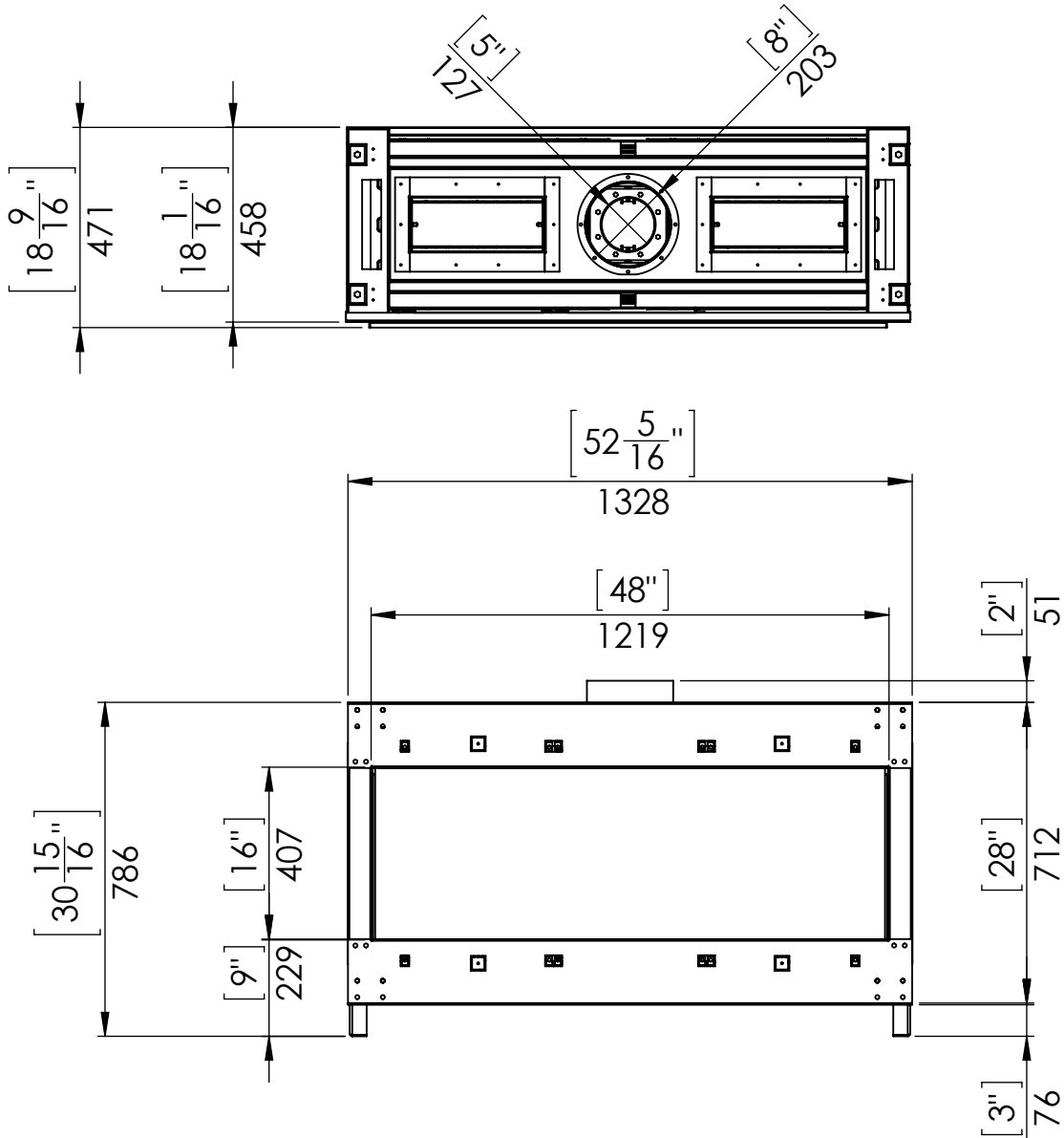
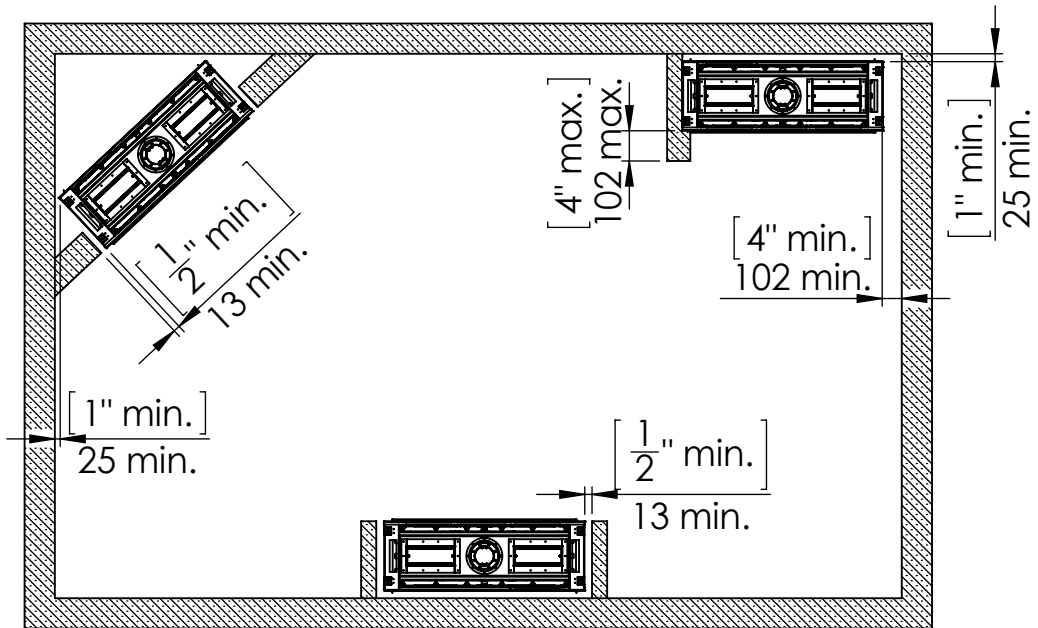


# FLARE Front 50



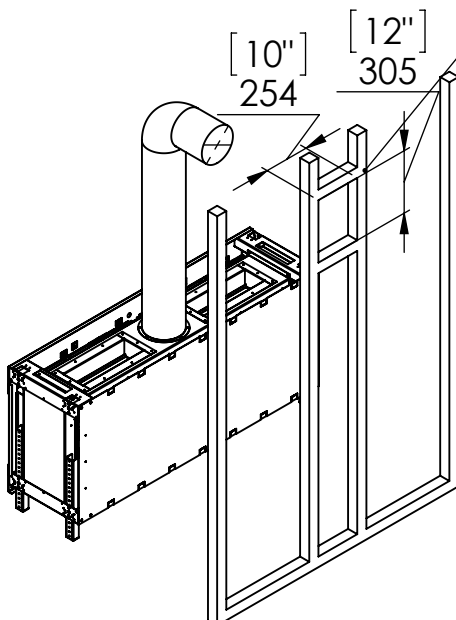
Telescopic Leg Range  
(from bottom of glass):  
9" - 19"



## Chimney Installation

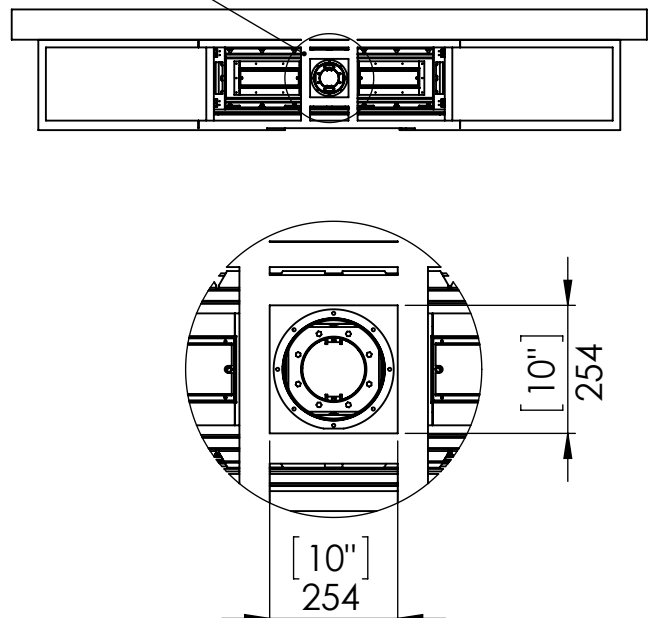
### Horizontal Termination

For 5 x 8 vent size create 10" x 12" vent termination opening

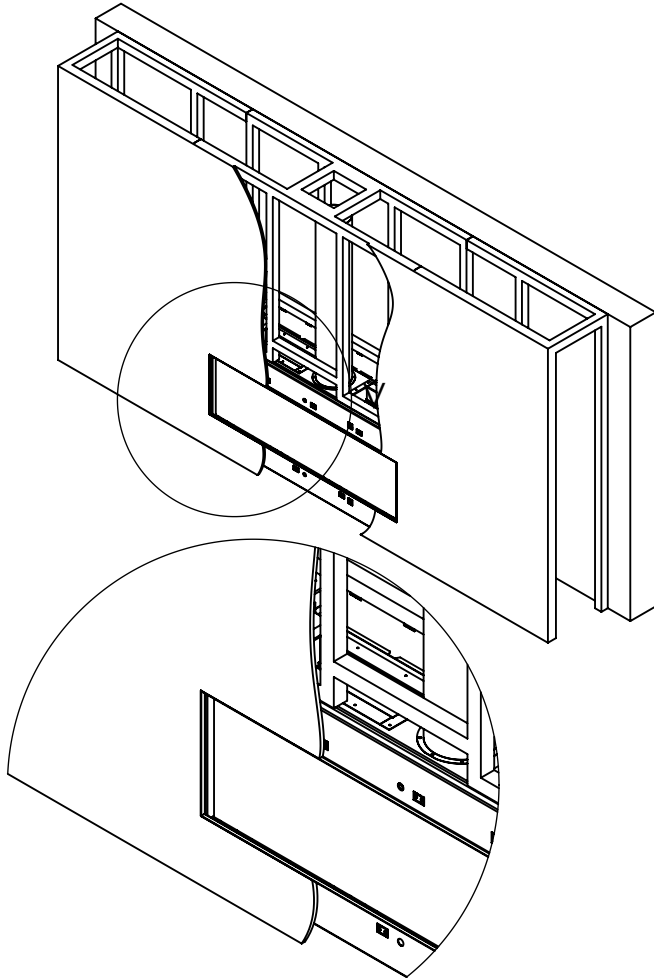


### Vertical Termination

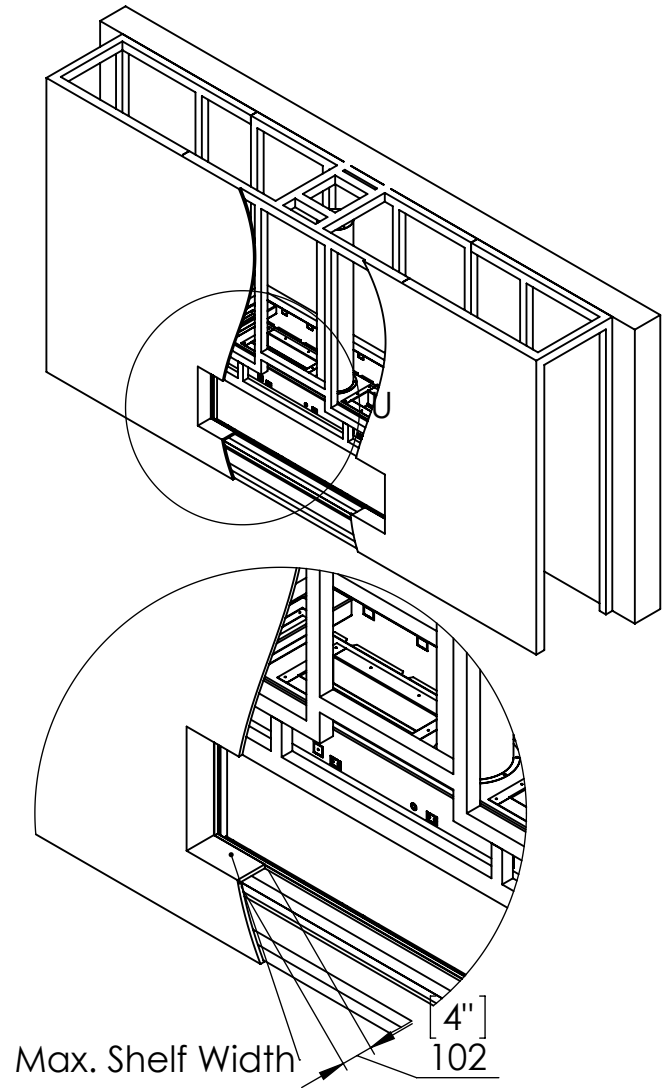
For 5 x 8 vent size create 10" x 10" vent termination opening



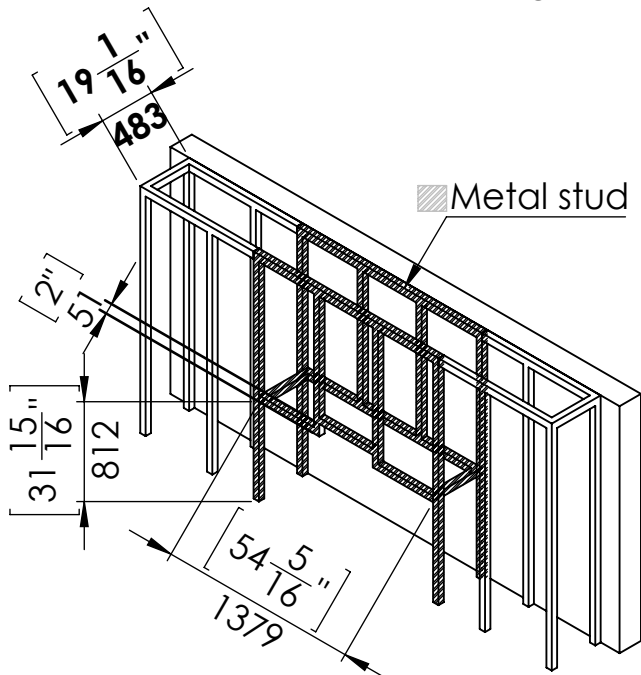
## Flat Installation



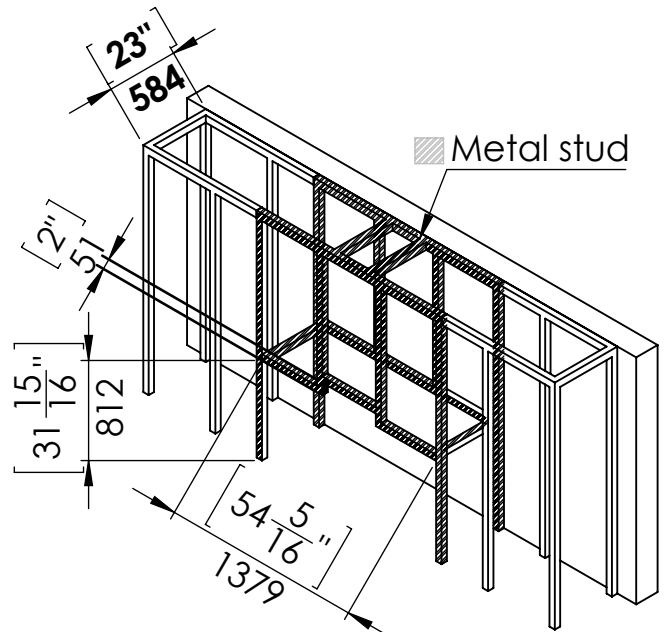
## L Shape Installation



### Step 1 - Basic Framing :

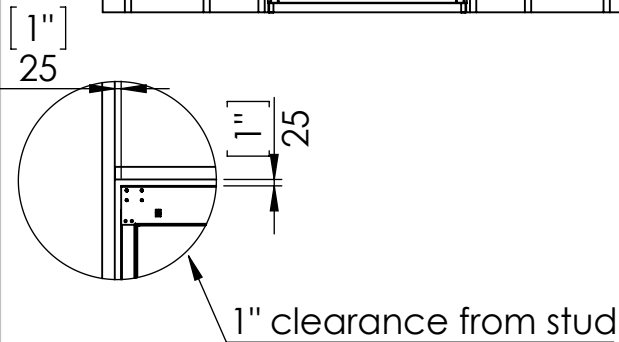
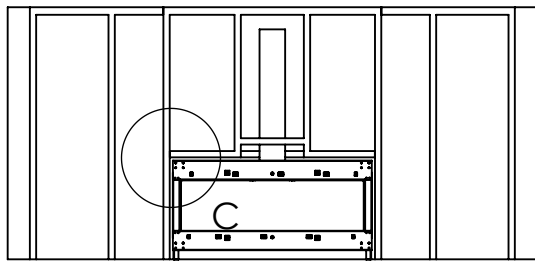
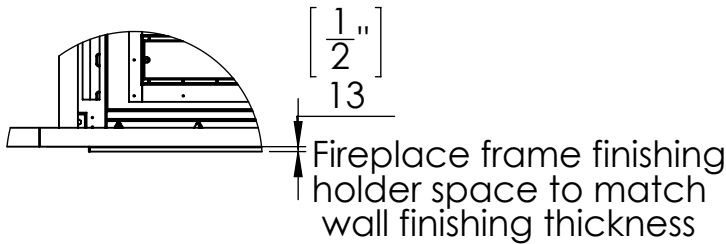
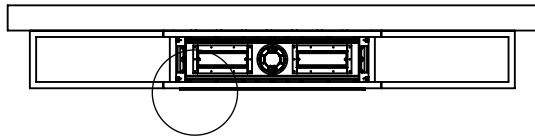


### Step 1 - Basic Framing :

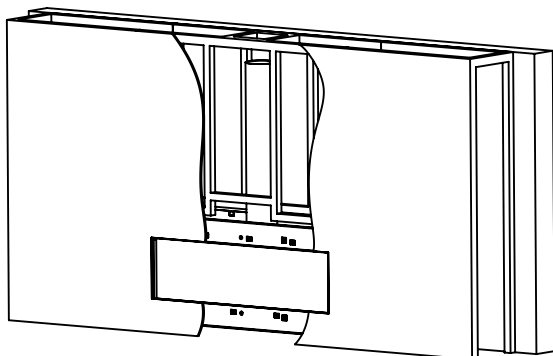


## Flat Installation

Step 2 -Positioning the Fireplace:

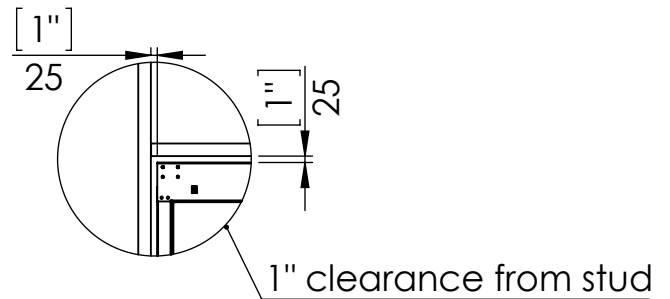
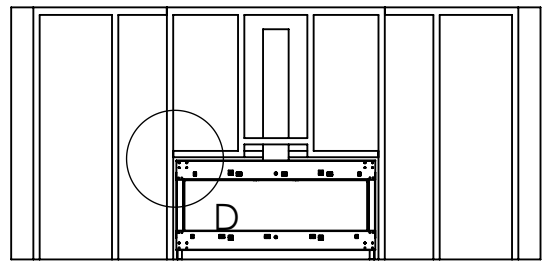
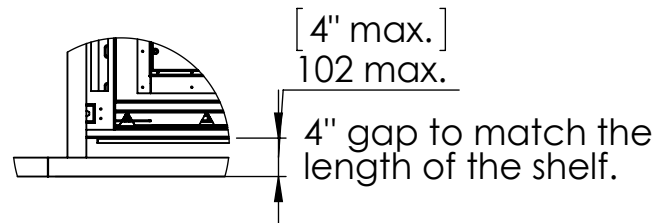
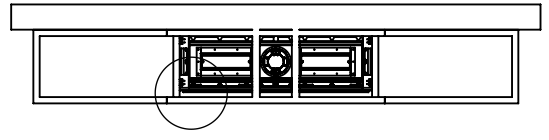


Last Step - Finishing The Fireplace Wall:

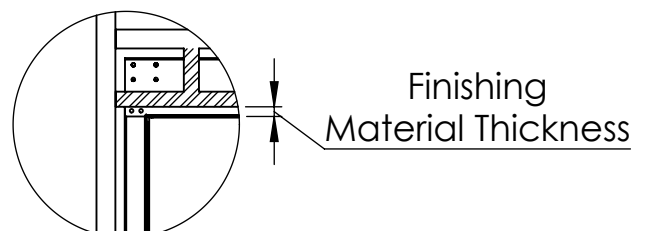
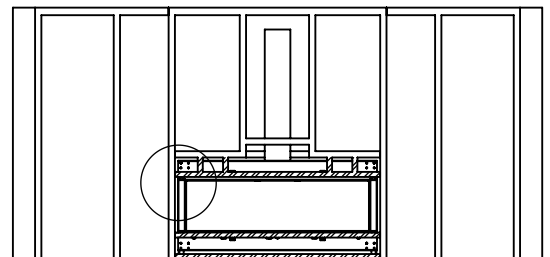


## L Shape Installation

Step 2 -Positioning the Fireplace:

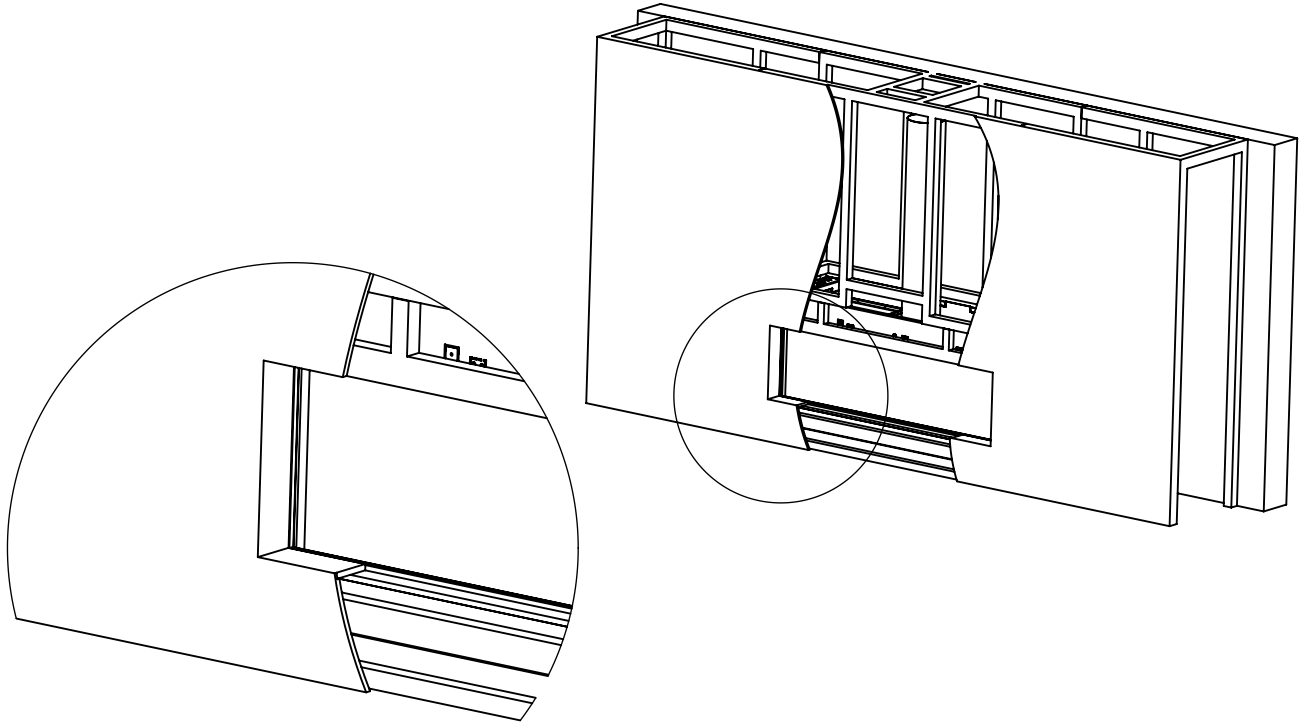


Step 3 - Framing Front Studs For L Shape:



## L Shape Finishing Install

Last Step - Finishing The Fireplace Wall:



## Specifications for Appliance Flare Front 50

|                         |               |                      |
|-------------------------|---------------|----------------------|
| Factor                  | NG            | LPG                  |
| Burner Type             | 105           | 105                  |
| Orifice                 | 1200          | 320                  |
| BTU Max.                | 47000         | 35000                |
| BTU min.                | 22750         | 18500                |
| Kw/h                    | 13.8k         | 10.2k                |
| Chimney DIA.            | 5X8           | 5X8                  |
| Manifold Pressure[w.c]  | 4.9           | 10.4                 |
| Efficiency rate         | 78            | 82                   |
| Glass Size Length\Width | 1200 X 420 mm | 47" 4/16 X 16" 9/16' |
| Appliance Weigh         | 120Kg         | 264lb                |