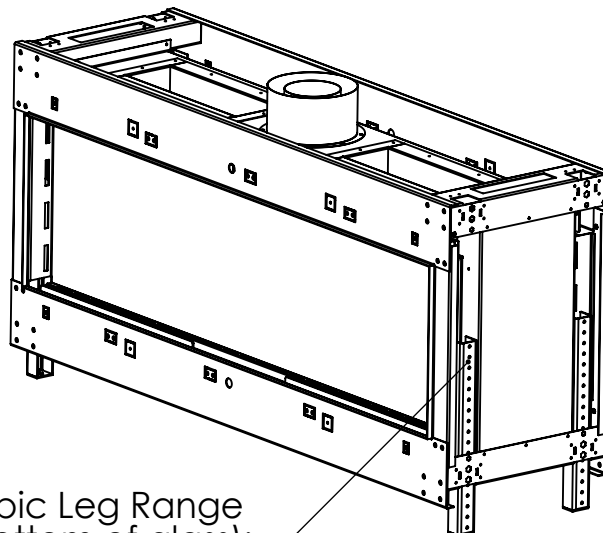
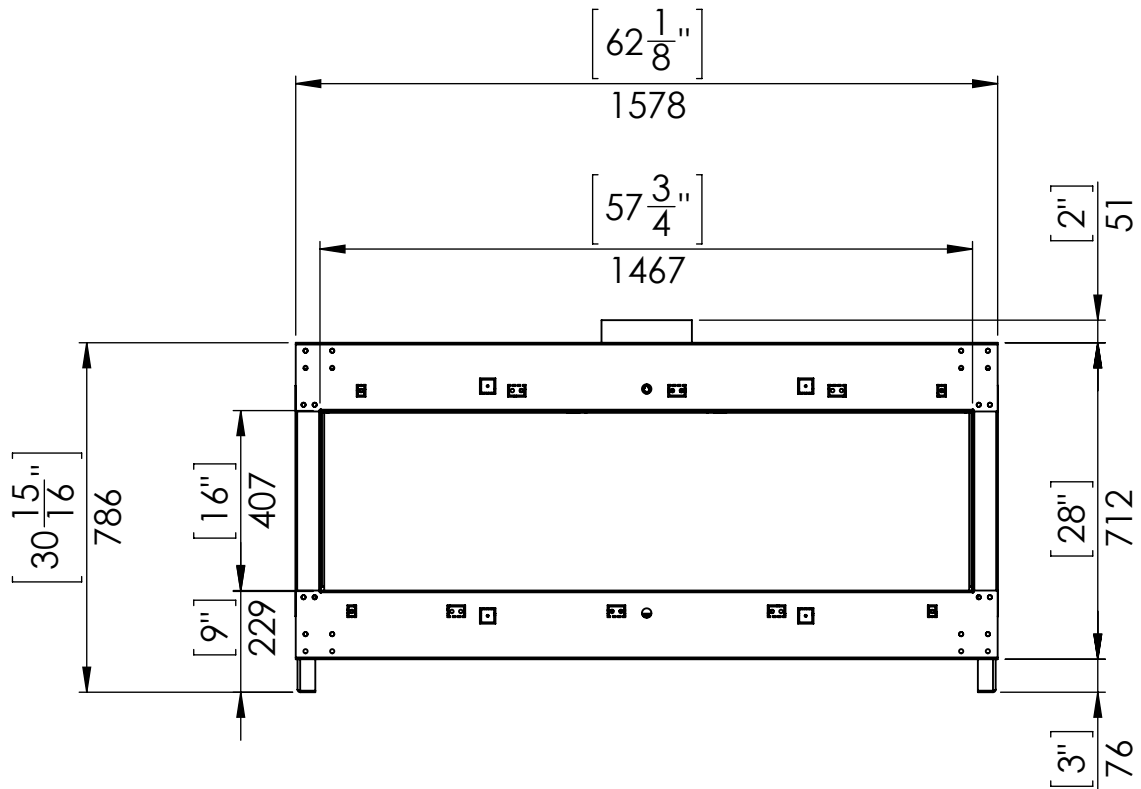
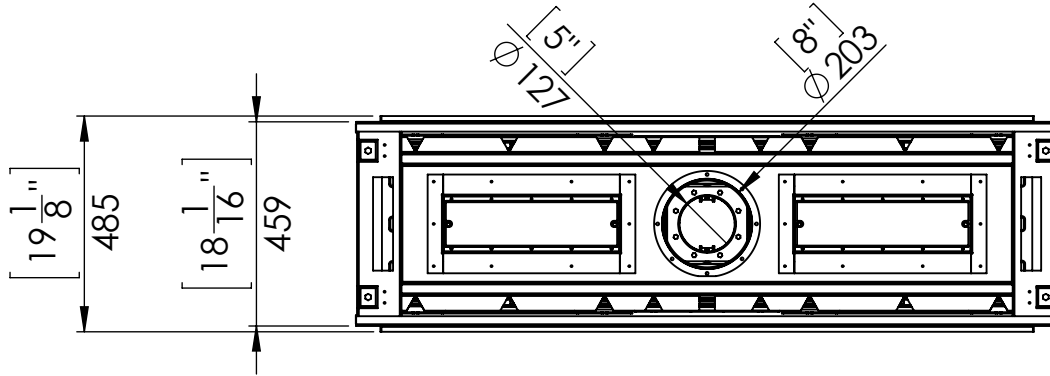
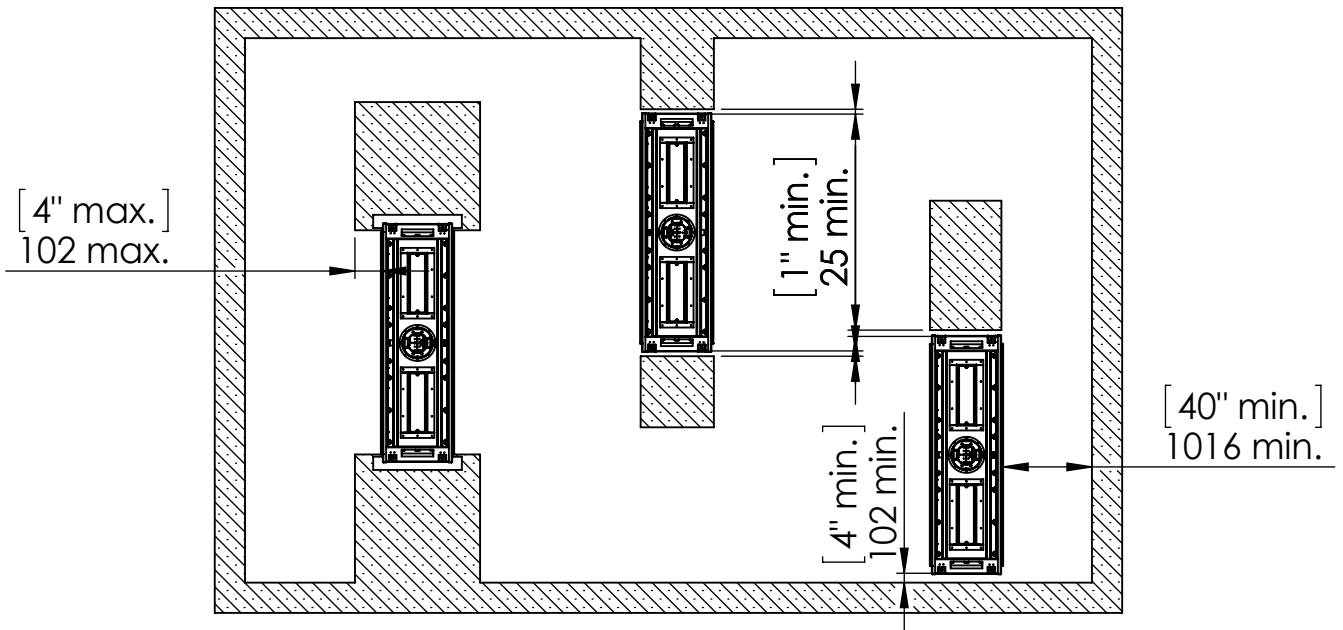


FLARE See Through 60



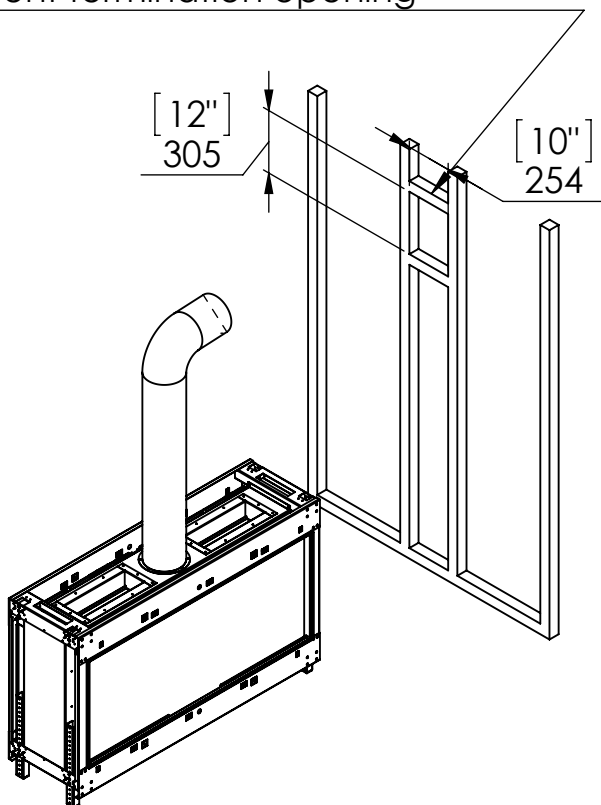
Telescopic Leg Range
(from bottom of glass):
9" - 19"



Chimney Installation

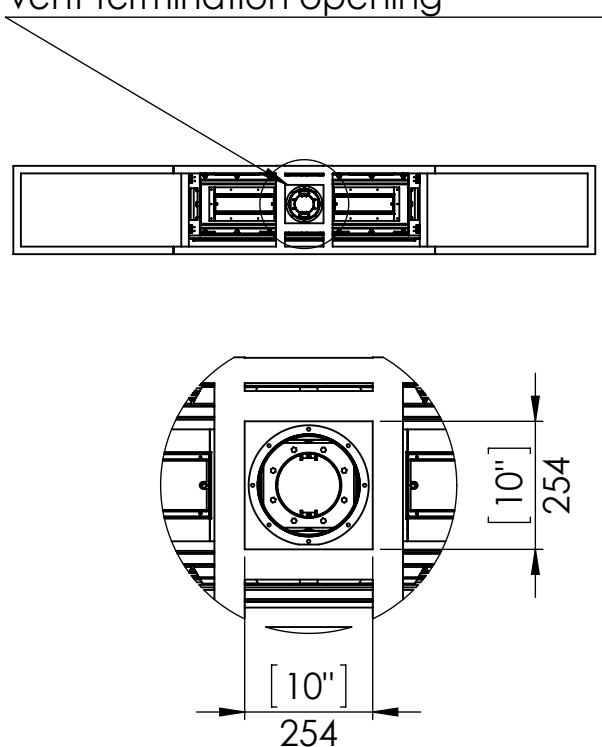
Horizontal Termination

For 5 x 8 vent size create 10" x 12" vent termination opening

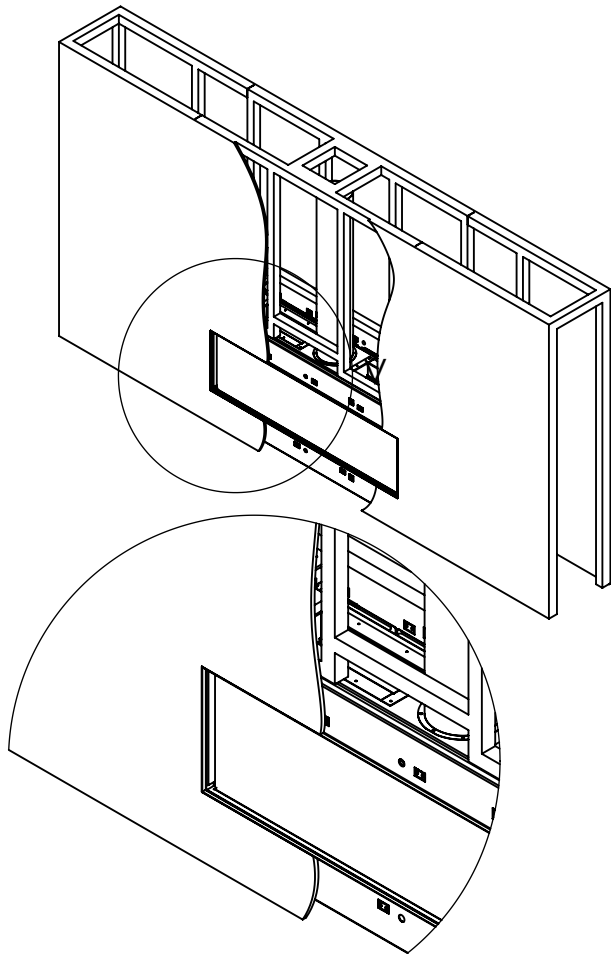


Vertical Termination

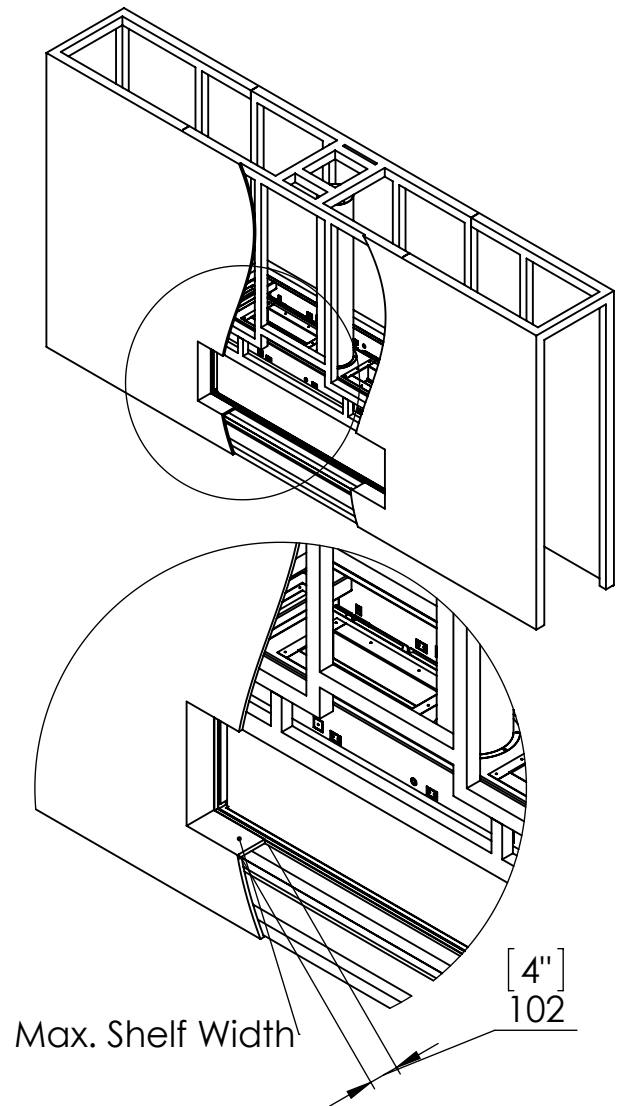
For 5 x 8 vent size create 10" x 10" vent termination opening



Flat Installation

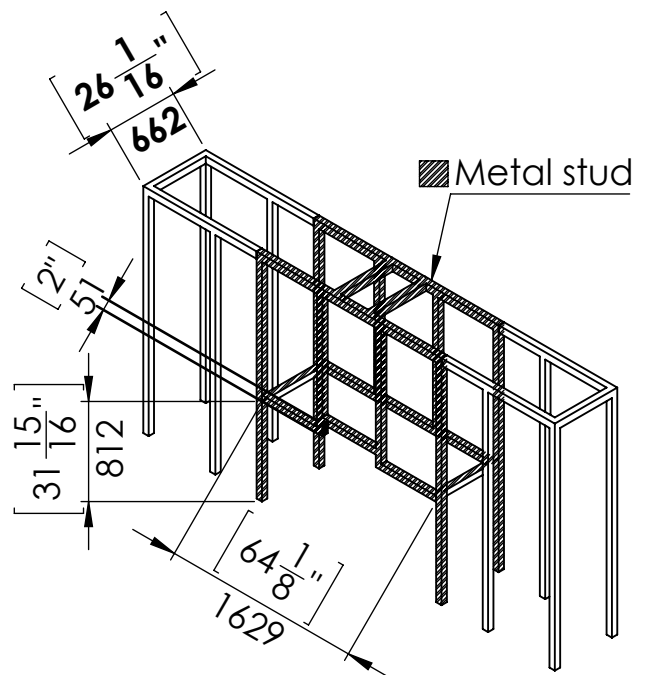
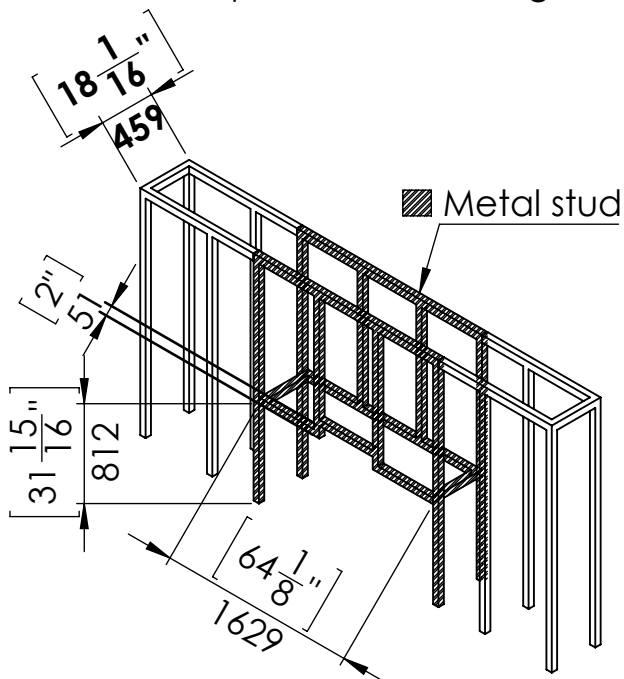


L Shape Installation



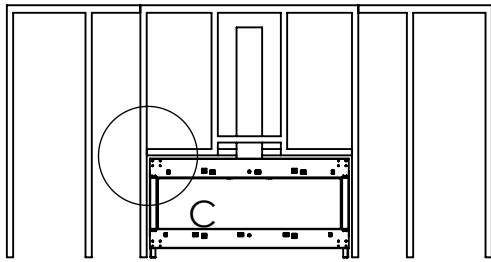
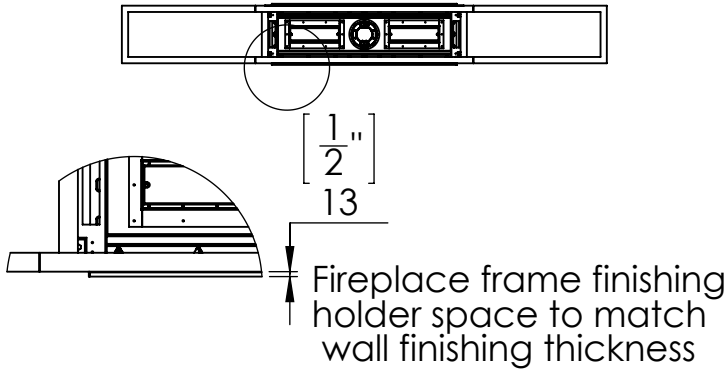
Step 1 - Basic Framing :

Step 1 - Basic Framing :



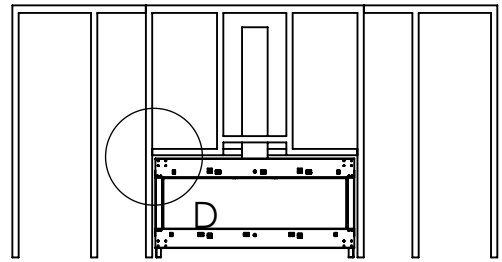
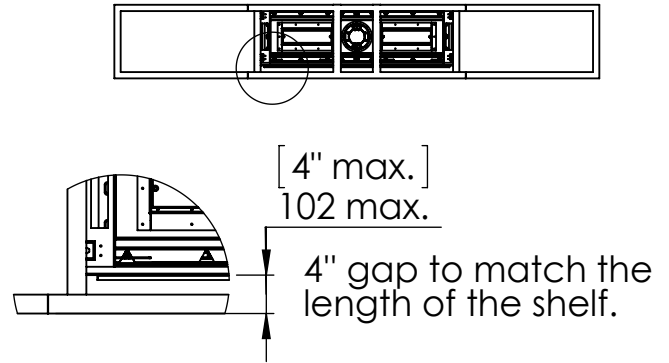
Flat Installation

Step 2 -Positioning the Fireplace:

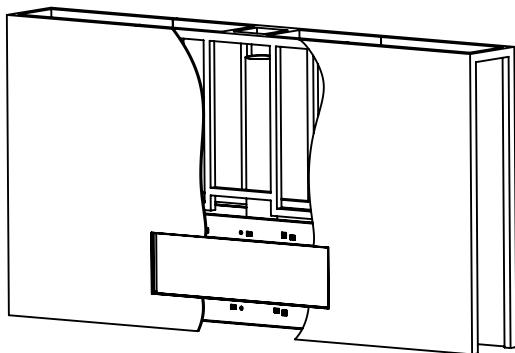


L Shape Installation

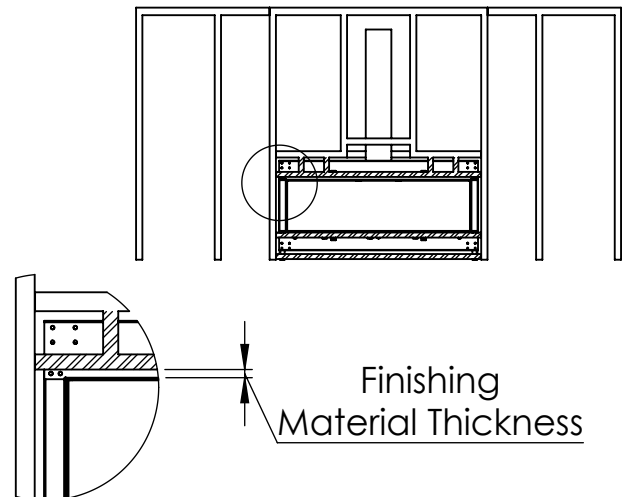
Step 2 -Positioning the Fireplace:



Last Step - Finishing The Fireplace Wall:

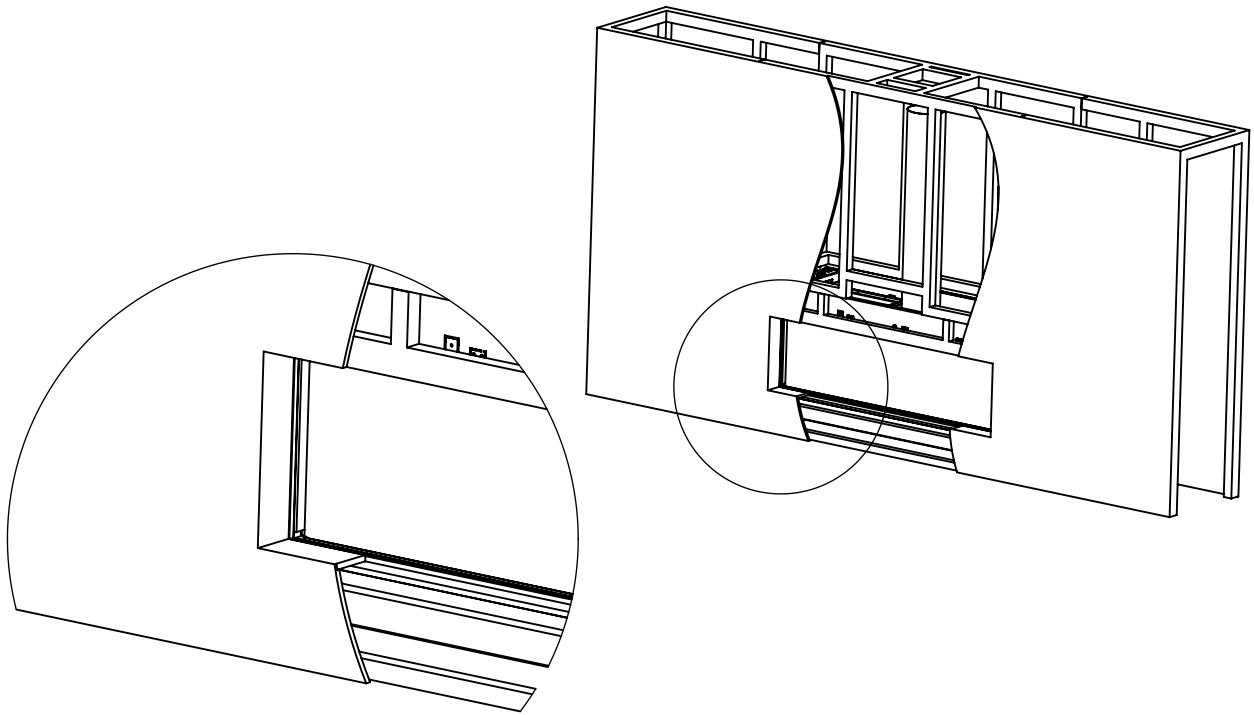


Step 3 - Framing Front Studs For L Shape:



L Shape Finishing Install

Last Step - Finishing The Fireplace Wall:



Specifications for Appliance Flare See Through 60

Factor	NG	LPG
Burner Type	35,55,35	35,55,35
Orifice	550,650,550	160,160,160
BTU Max.	50000	41000
BTU min.	28000	20000
Kw/h	14.6k	10.2k
Chimney DIA.	5X8	5X8
Manifold Pressure[w.c]	3.3	10.4
Efficiency rate	77	80
Glass Size Length\Width	1450 X 420 mm	57" 1/16 X 16" 9/16'
Appliance Weigh	175Kg	385lb