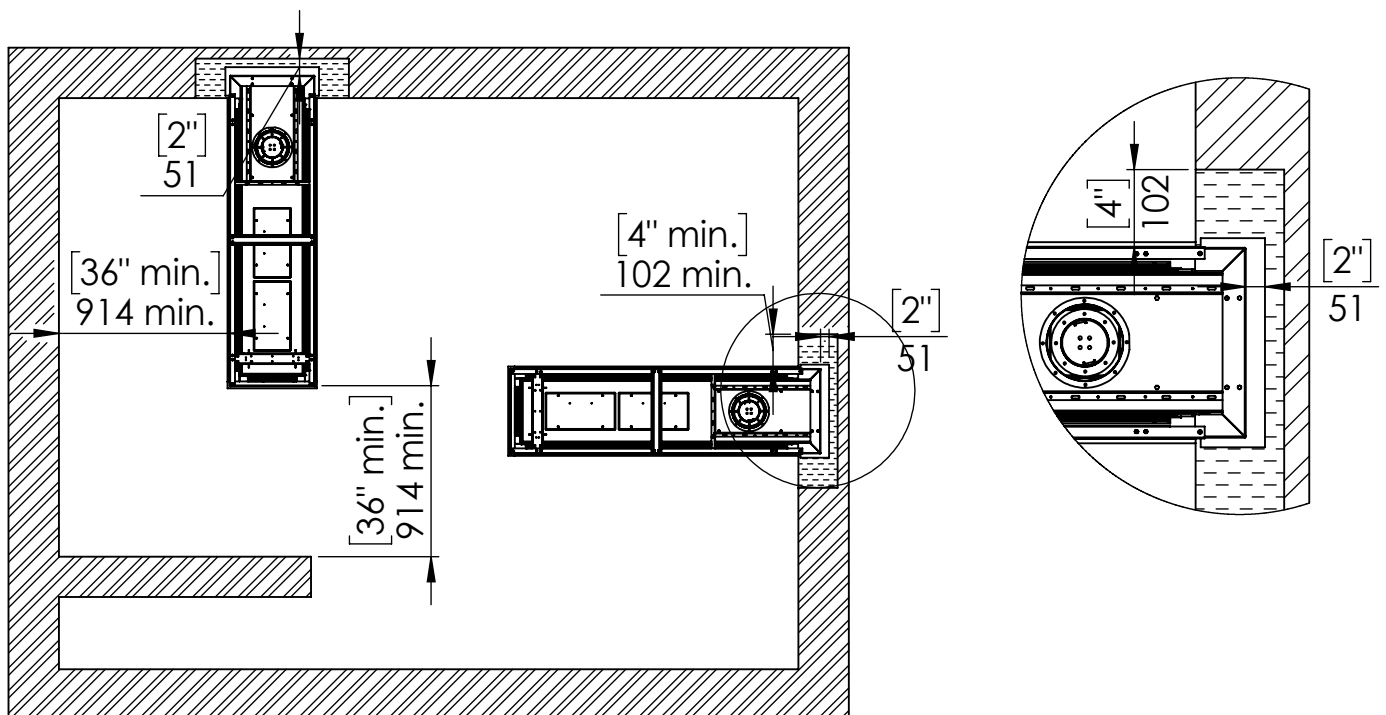




Specifications for Appliance Flare Room Definer 50

Factor	NG	LPG
Burner Type	105	105
Orifice	1200	320
BTU Max.	47000	35100
BTU min.	22750	18500
Kw/h	13.8k	10.2k
Chimney DIA.	5X8	5X8
Manifold Pressure[w.c]	4.9	10.4
Efficiency rate	78	82
Glass Size Length\Width	1200 X 420 mm	47" 7/16 X 16" 9/16'
Appliance Weigh	145Kg	320lb

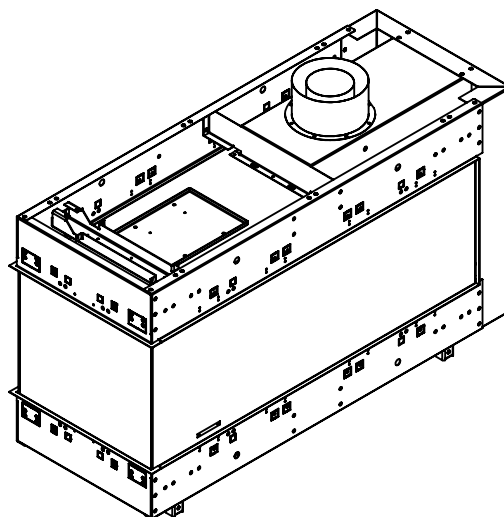
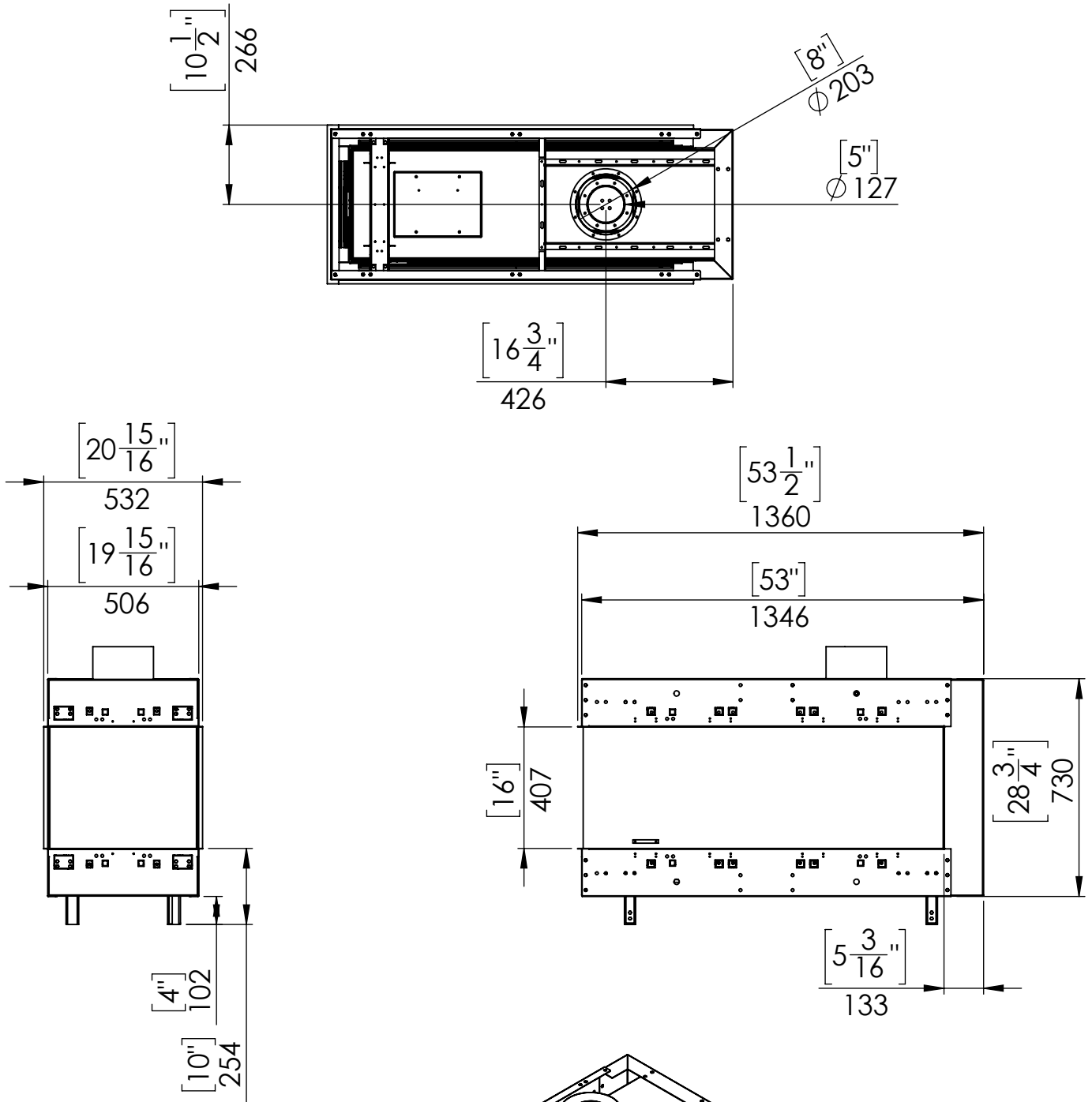
Appliance Location



 Combustible Materials
 Non Combustible Materials

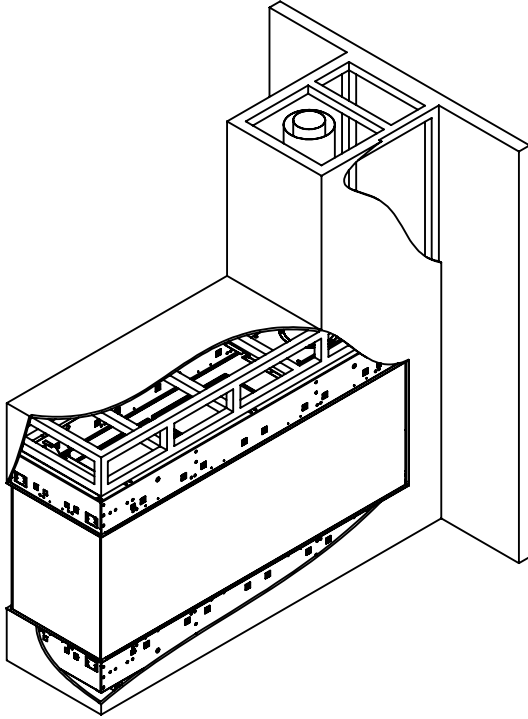


Flare Room Definer 50

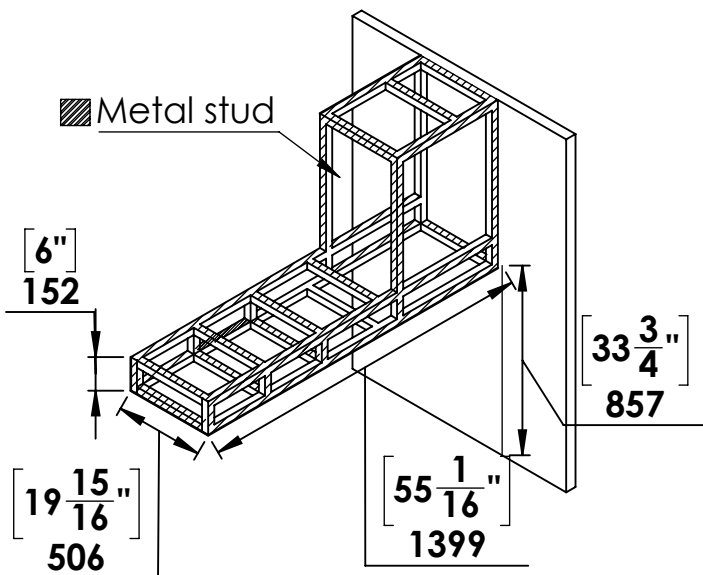


Telescopic leg ranges
(from bottom of the glass): 10"-21"

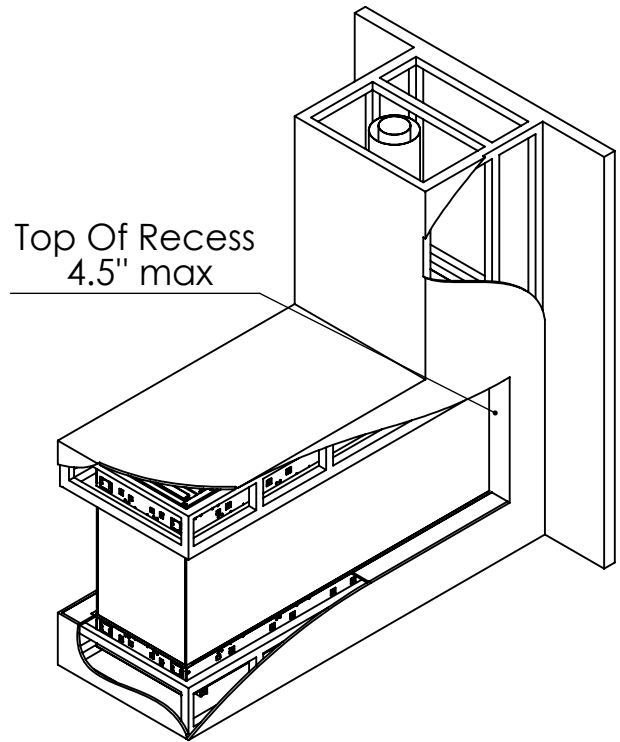
Flat Installation



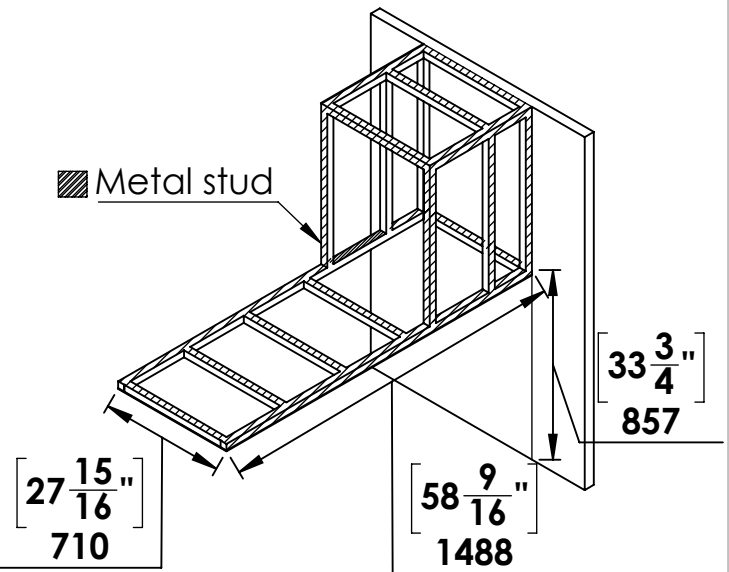
Step 1 - Basic Framing :



Recess Installation

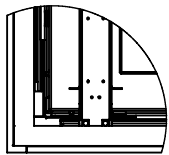
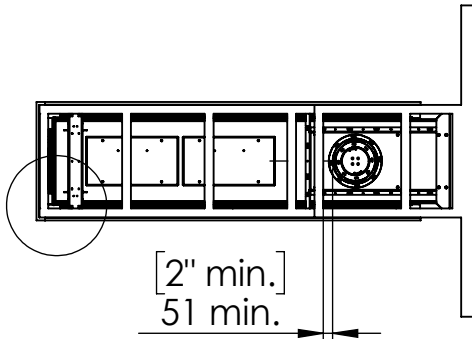


Step 1 - Basic Framing :

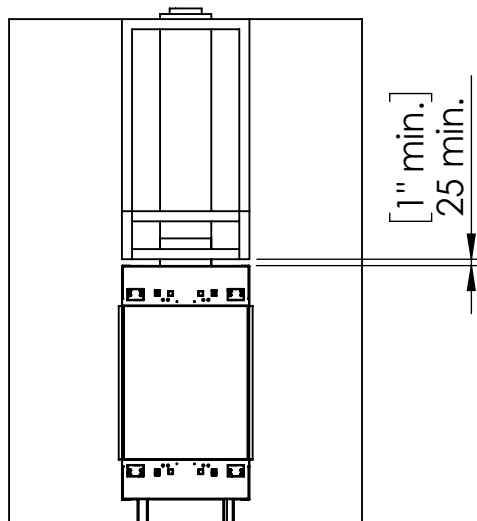


Flat Installation

Step 2 -Positioning the Fireplace:

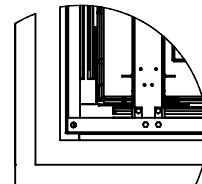
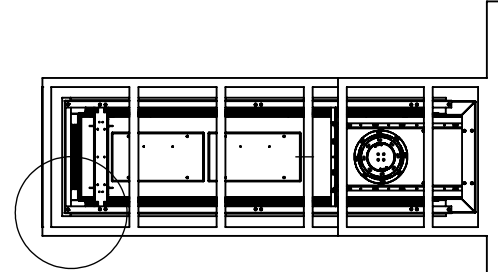


Fireplace frame finishing holder space to match wall finishing thickness



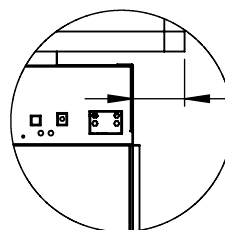
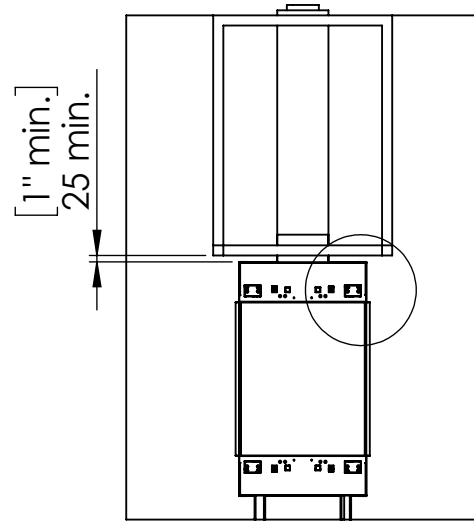
Recess Installation

Step 2 -Positioning the Fireplace:



gap to match the max. length of top shelf.

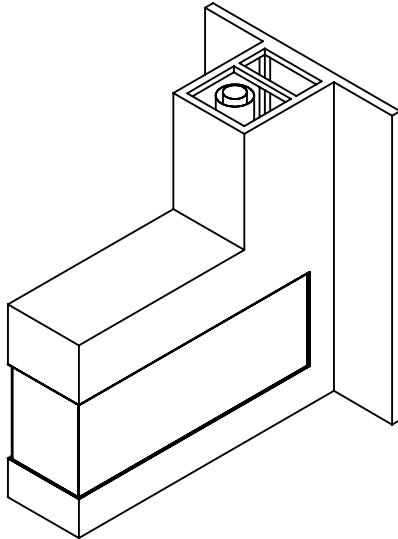
[4" max.]
102 max.



[4" max.]
102 max.

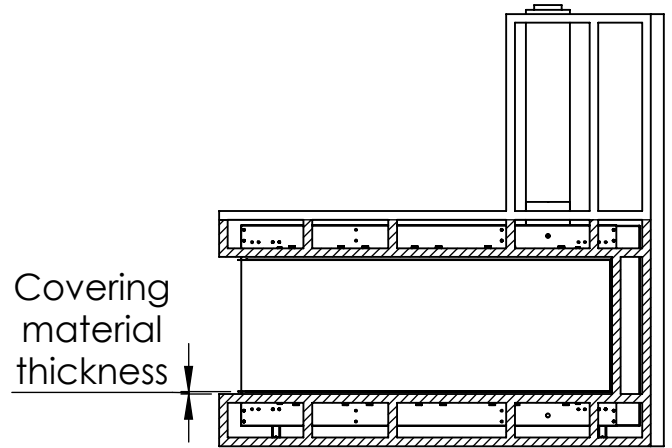
Flat Installation

Last Step - Finishing The Fireplace Wall:



Recess Installation

Step 3 - Framing Front Studs For Recess
After positioning the Fireplace:



Last Step - Finishing The Fireplace Wall:

