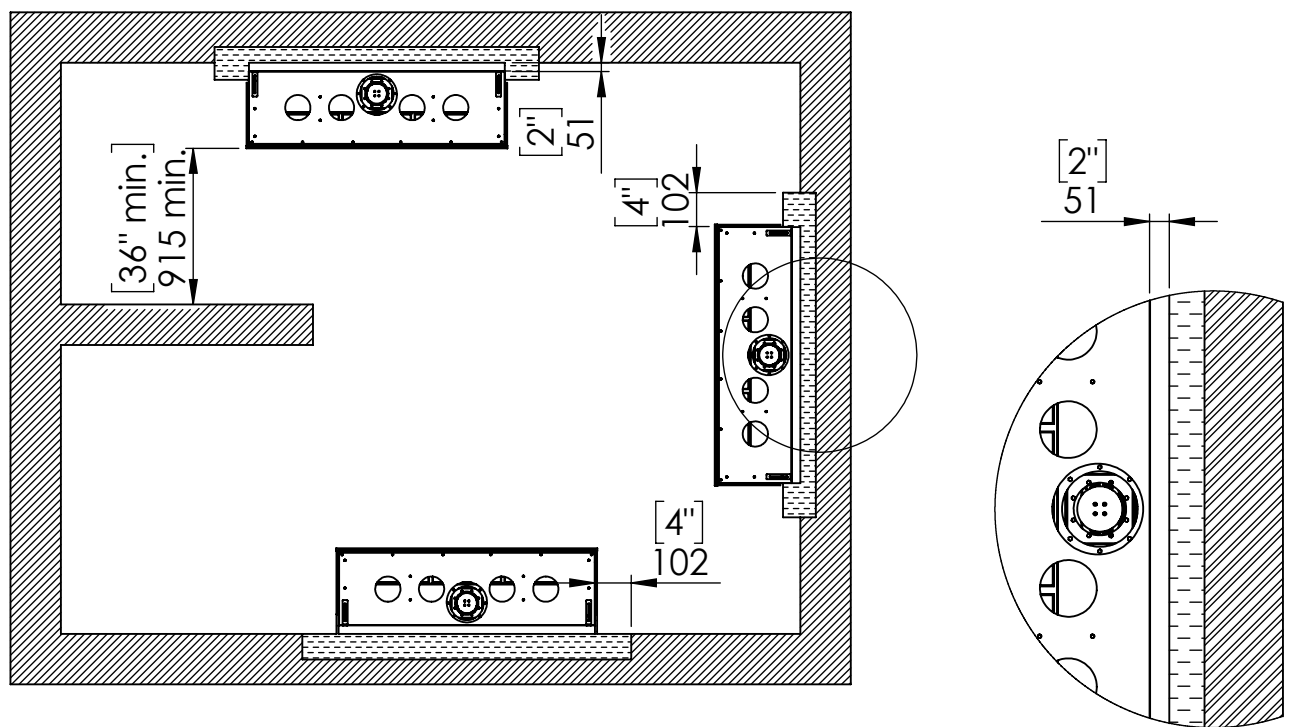




# Specifications for Appliance Flare Double Corner 70

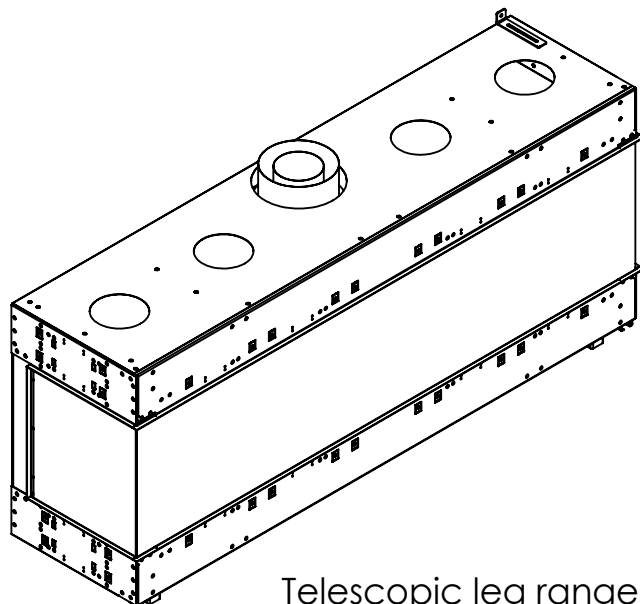
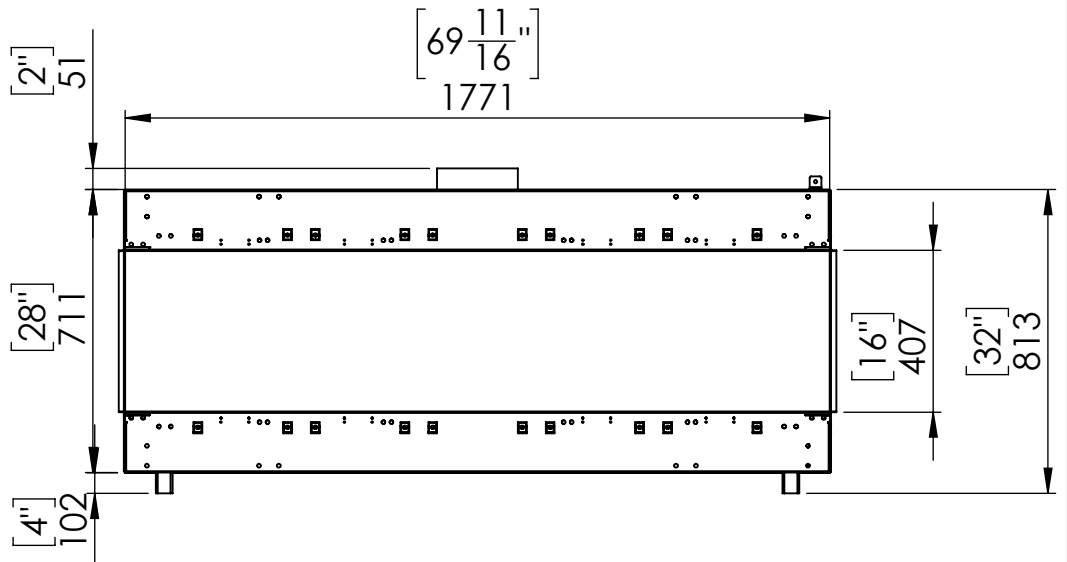
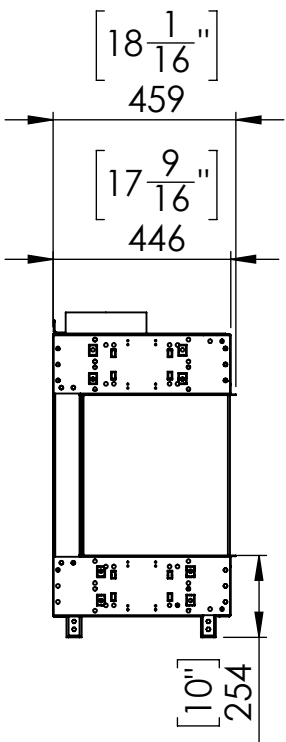
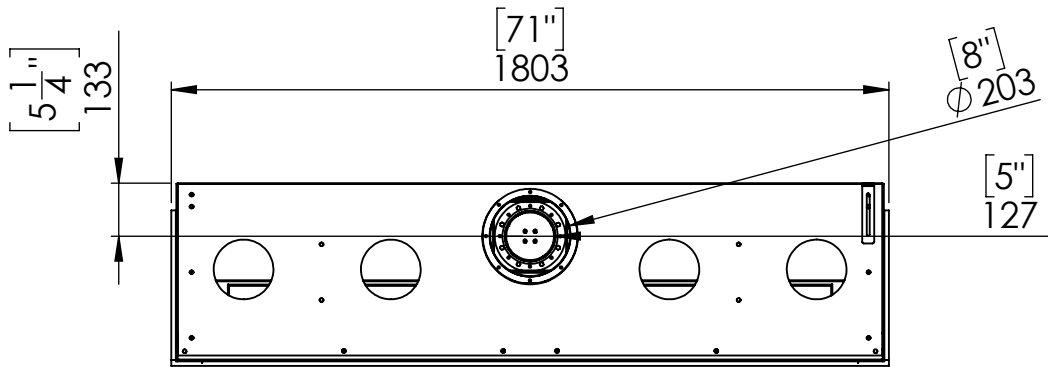
Factor	NG	LPG
Burner Type	35,80,35	35,80,35
Orifice	500,1000,500	160,180,160
BTU Max.	52200	43000
BTU min.	28000	20000
Kw/h	15.3k	12.6k
Chimney DIA.	5X8	5X8
Manifold Pressure[w.c]	3.6	8.8
Efficiency rate	82	79
Glass Size Length\Width	1770.5 X 423 mm	69" 11/16 X 16" 9/16'
Appliance Weigh	190Kg	418lb

## Appliance Location



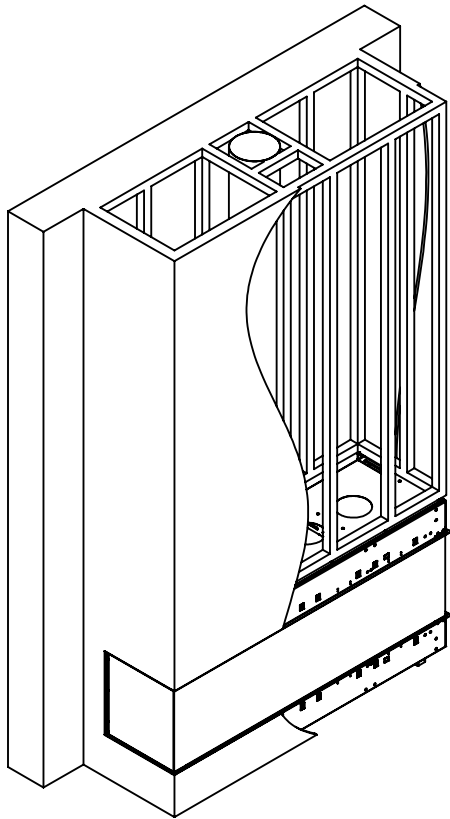


# FLARE Double Corner 70

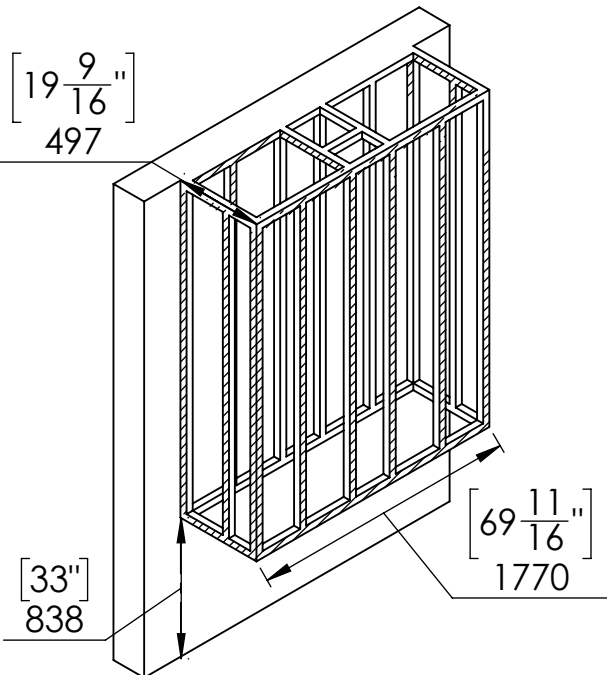


Telescopic leg ranges  
(from bottom of glass): 10"-19"

## Flat Installation

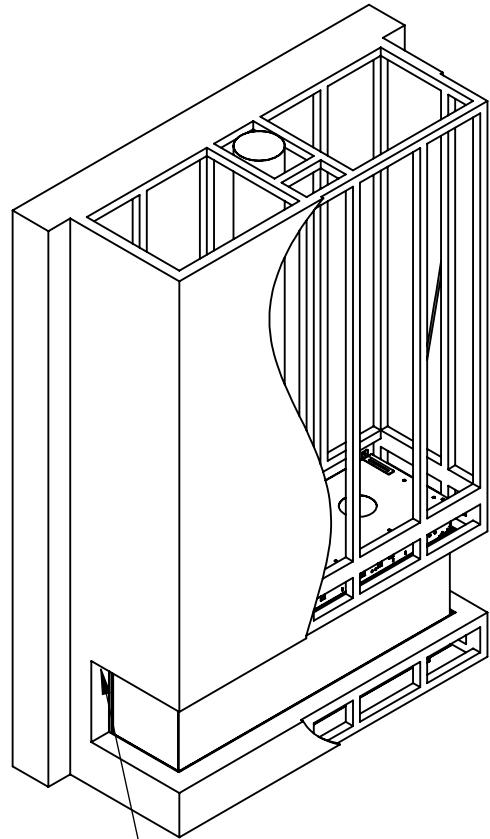


Step 1 - Basic Framing :



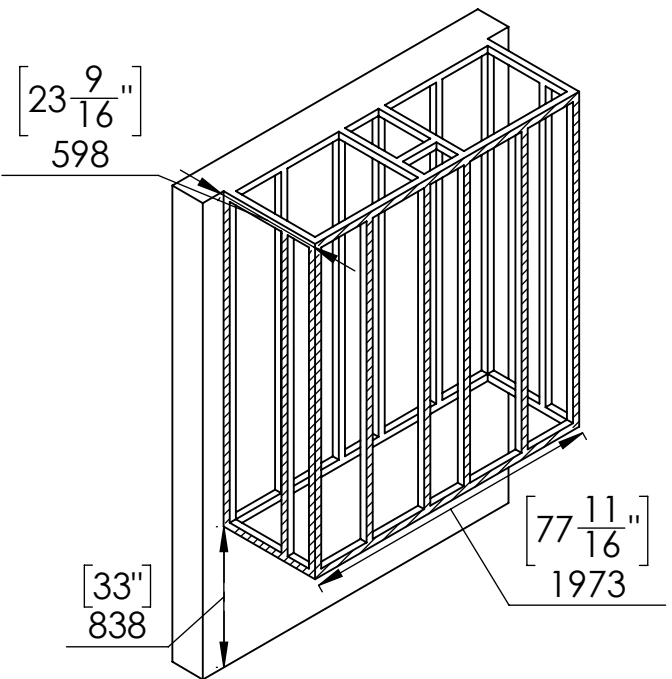
 Steel stud

## Recess Installation



Top of Recess  
4" max

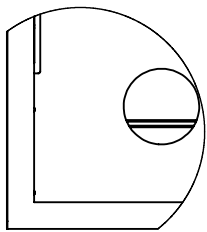
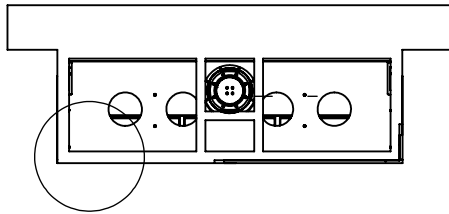
Step 1 - Basic Framing :



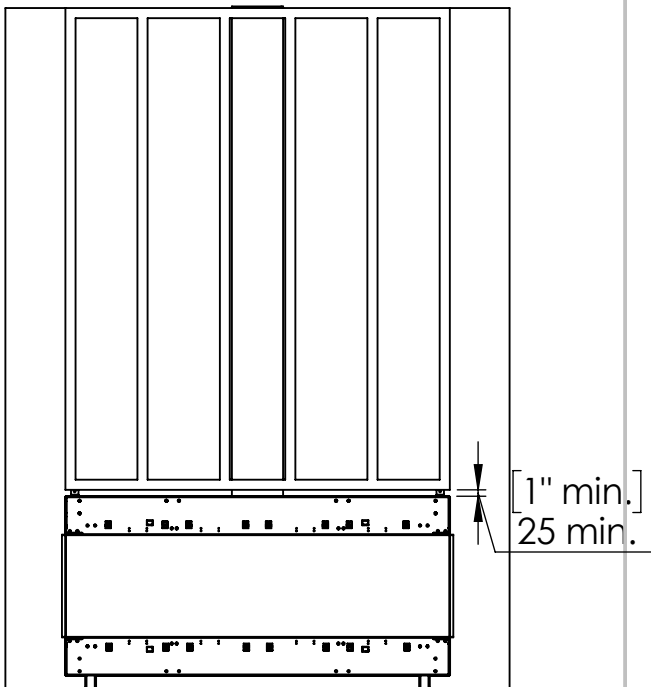
 Steel stud

## Flat Installation

Step 2 -Positioning the Fireplace:

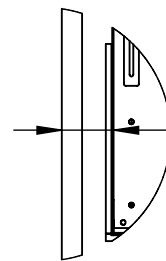
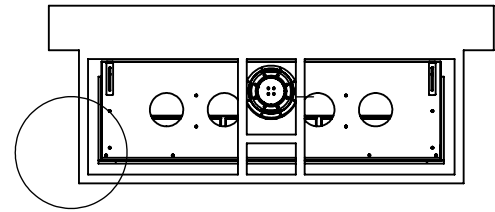


Fireplace frame finishing holder space to match wall finishing thickness



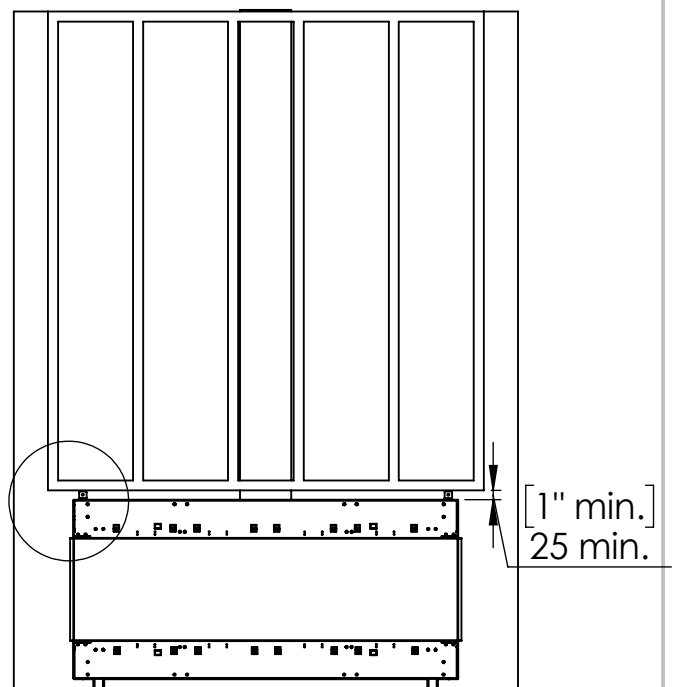
## Recess Installation

Step 2 -Positioning the Fireplace:

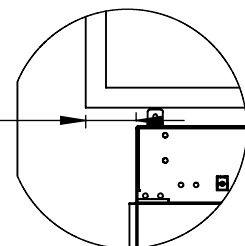


[4" max.]  
102 max.

gap to match the max. length of top shelf.

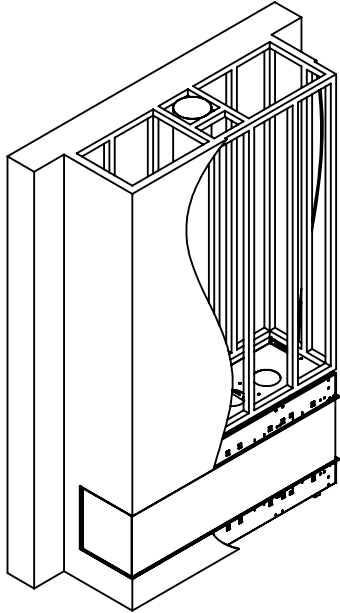


[4" max.]  
102 max.



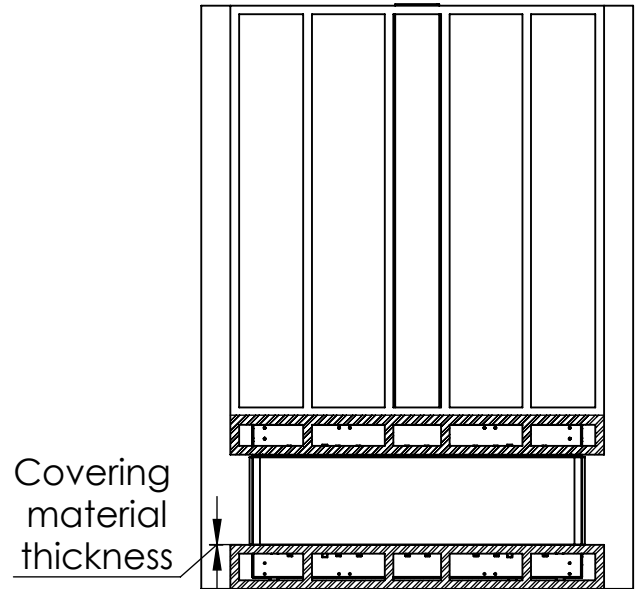
## Flat Installation

Last Step - Finishing The Fireplace Wall:



## Recess Installation

Step 3 - Framing Front Studs For Recess  
After positioning the Fireplace:



Last Step - Finishing The Fireplace Wall:

