

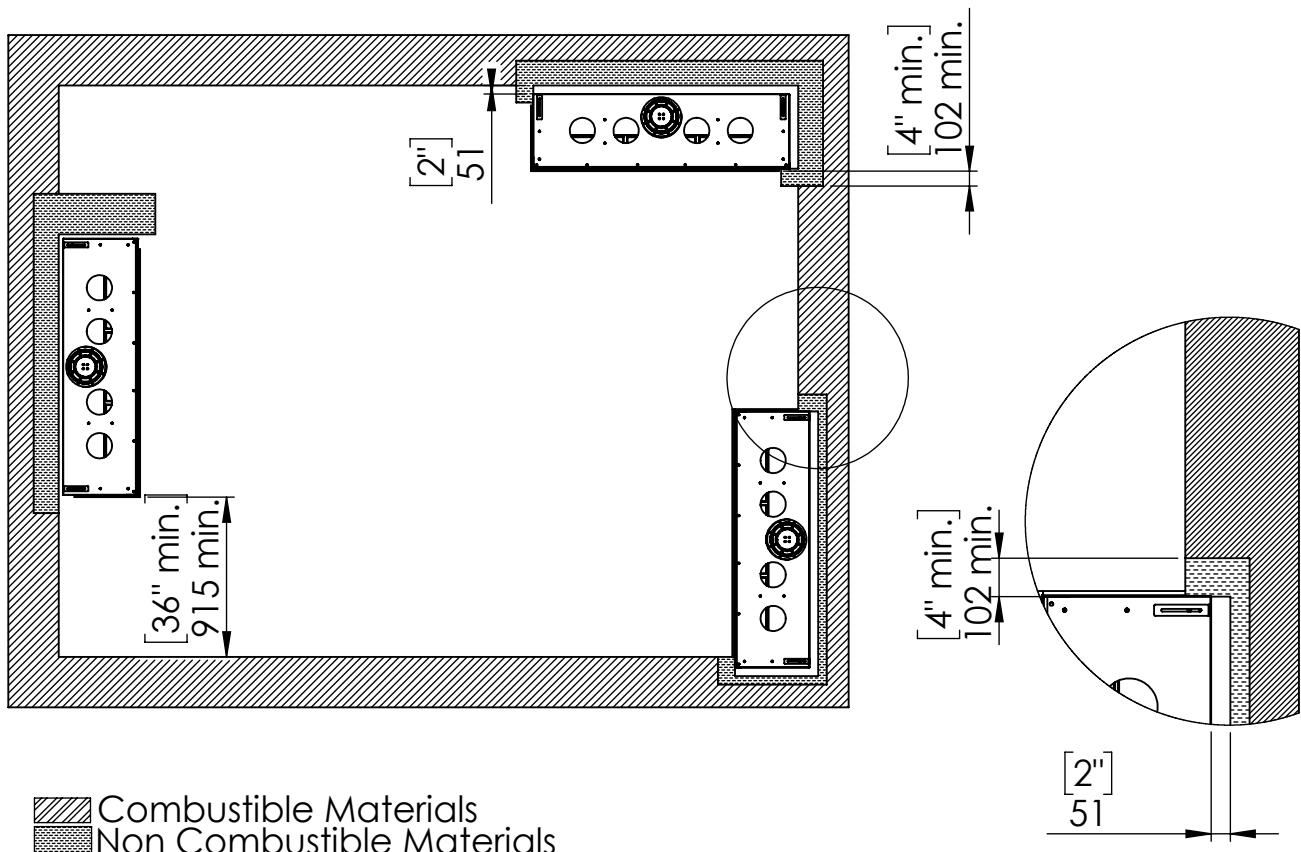


# Specifications for Appliance Flare Left Corner 100H

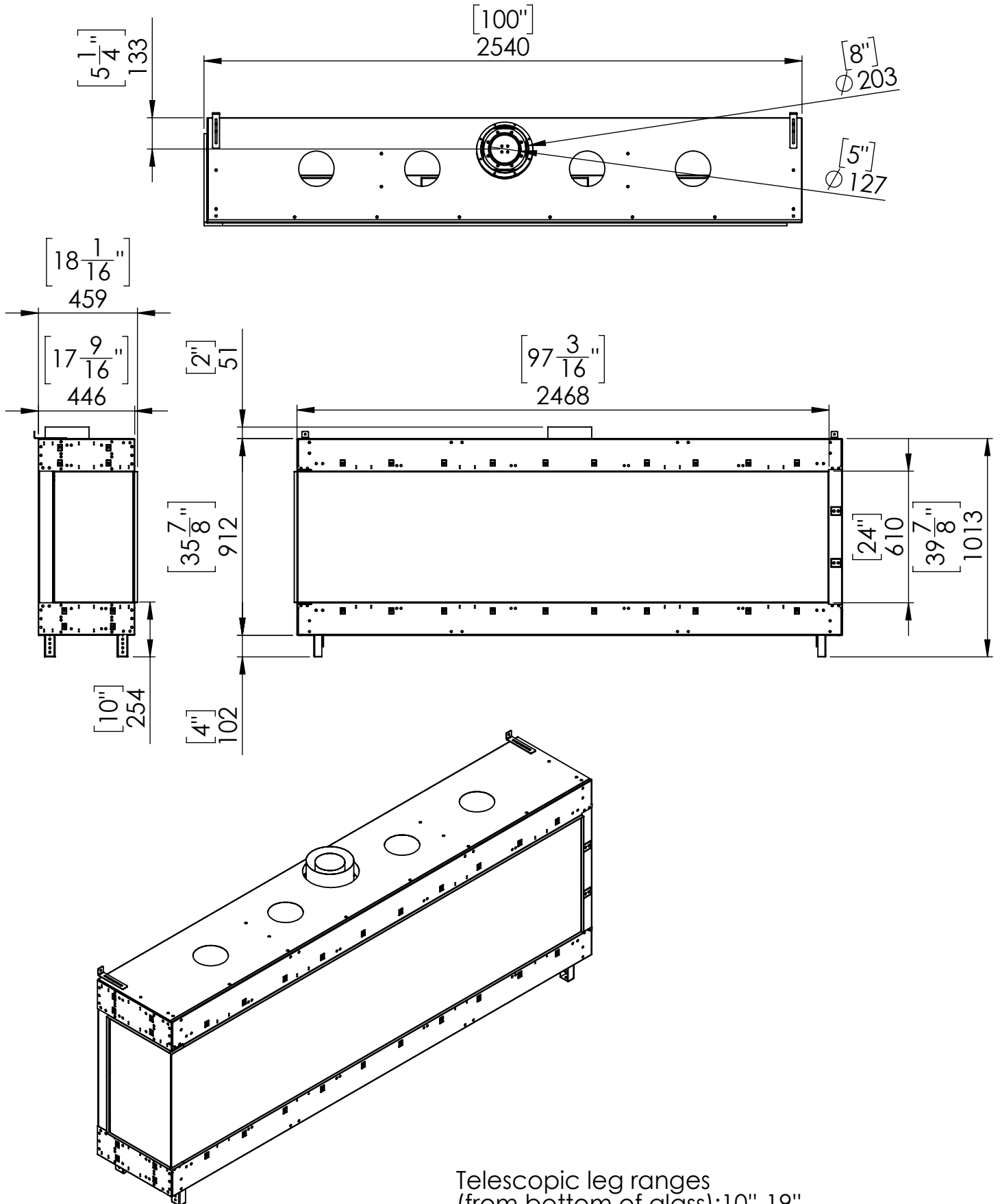
Factor	NG	LPG
Burner Type	55,105,55	55,105,55
Orifice	550,1200,550	180,260,180
BTU Max.	60000	60000
BTU min.	32500	25500
Kw/h	17.5k	17.5k
Chimney DIA.	5X8	5X8
Manifold Pressure[w.c]	4.4	7.4
Efficiency rate	81	76

Glass Size Length\Width	2520.5 X 620 mm	99" 1/4 X 24" 7/16'
Appliance Weigh	290Kg	615lb

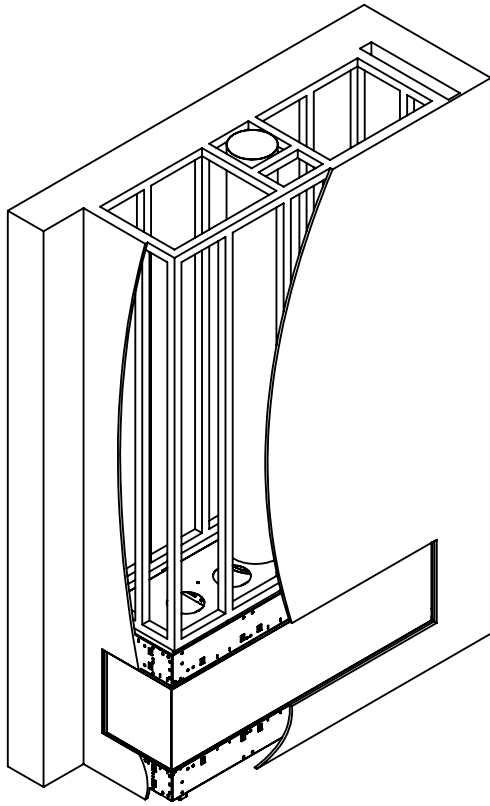
## Appliance Location



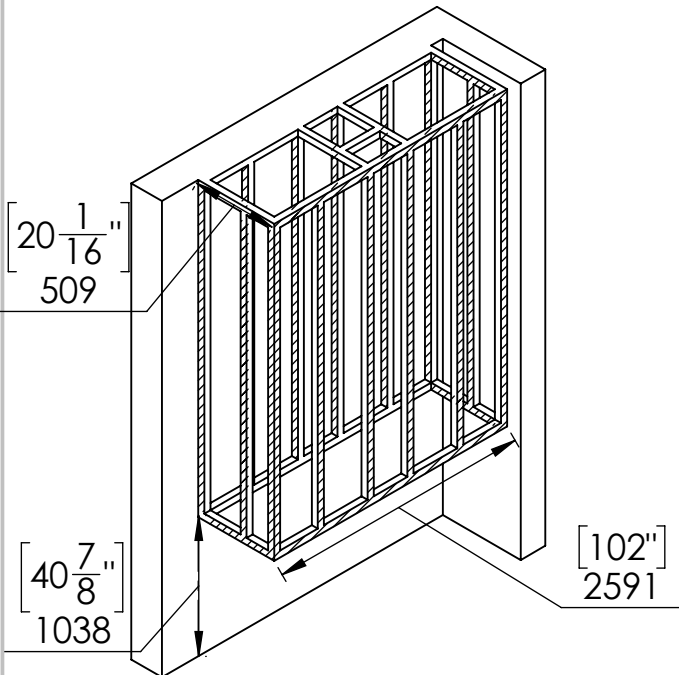
# FLARE Left Corner 100H



## Flat Installation

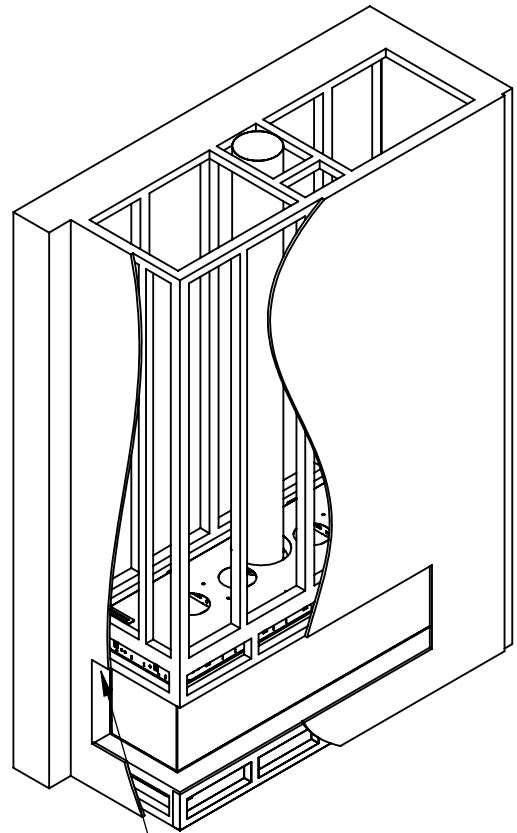


Step 1 - Basic Framing :



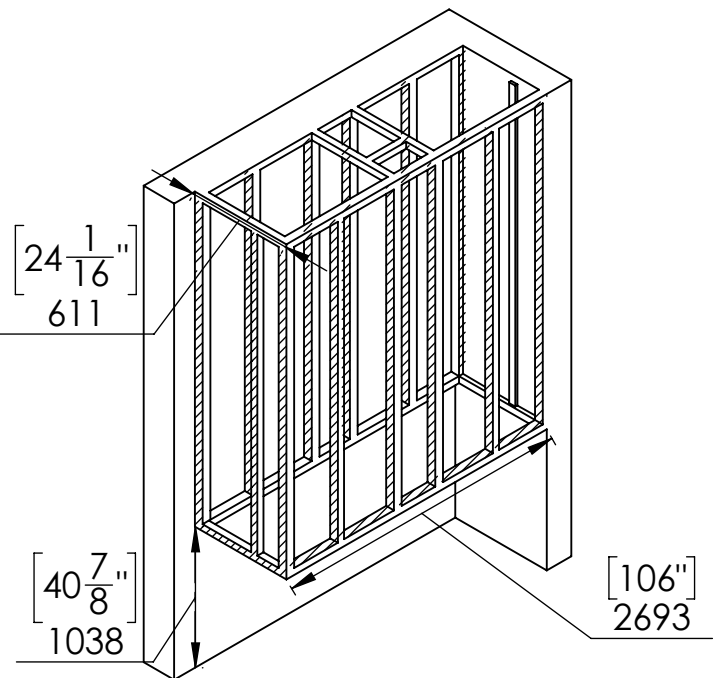
 Metal Studs

## Recess Installation



Top of Recess  
4" max

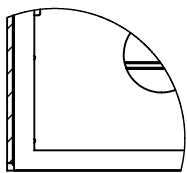
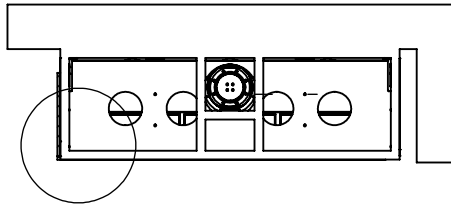
Step 1 - Basic Framing :



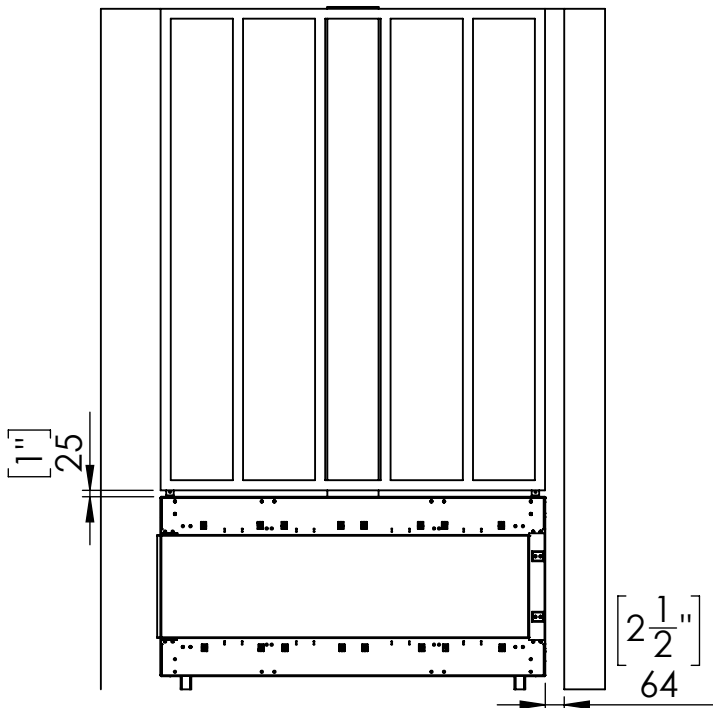
 Metal Studs

## Flat Installation

Step 2 -Positioning the Fireplace:

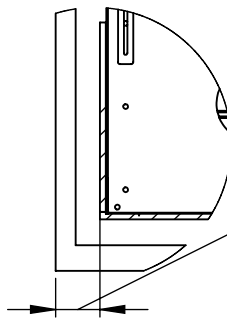
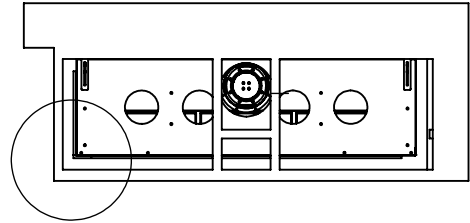


Fireplace frame finishing holder space to match wall finishing thickness



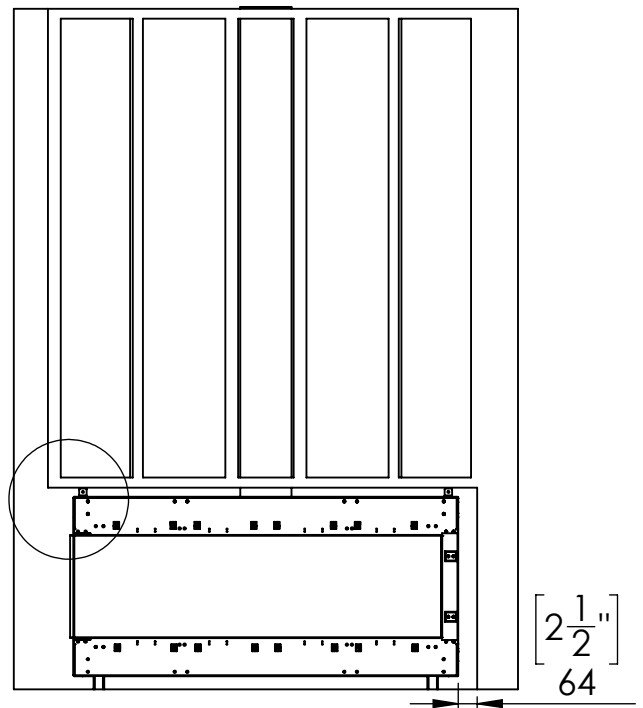
## Recess Installation

Step 2 -Positioning the Fireplace:



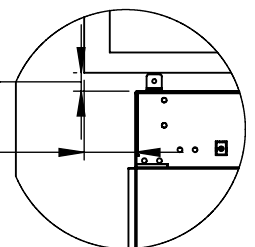
[4"]  
102

gap to match the max. length of top shelf.



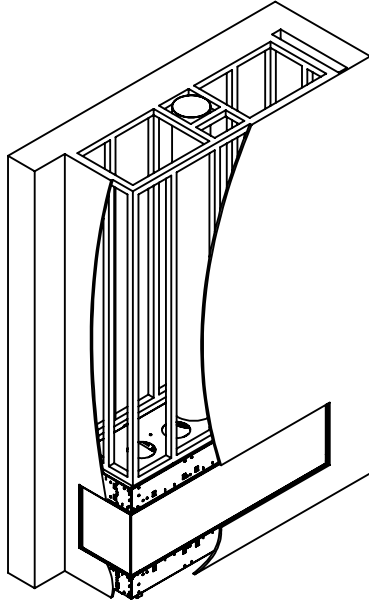
[4" max.]  
102 max.

[1"]  
25



## Flat Installation

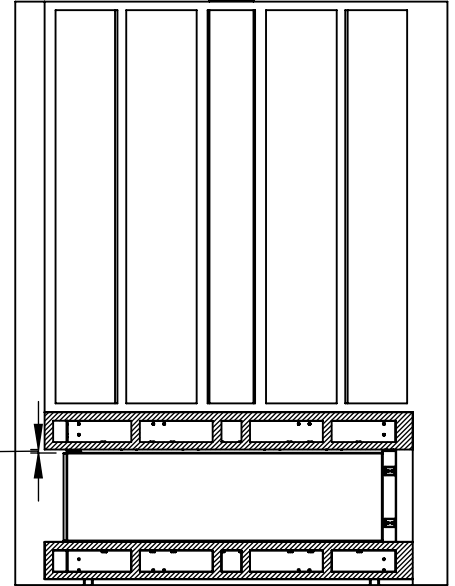
Last Step - Finishing The Fireplace Wall:



## Recess Installation

Step 3 - Framing Front Studs For Recess  
After positioning the Fireplace:

Covering  
material  
thickness



Last Step - Finishing The Fireplace Wall:

