

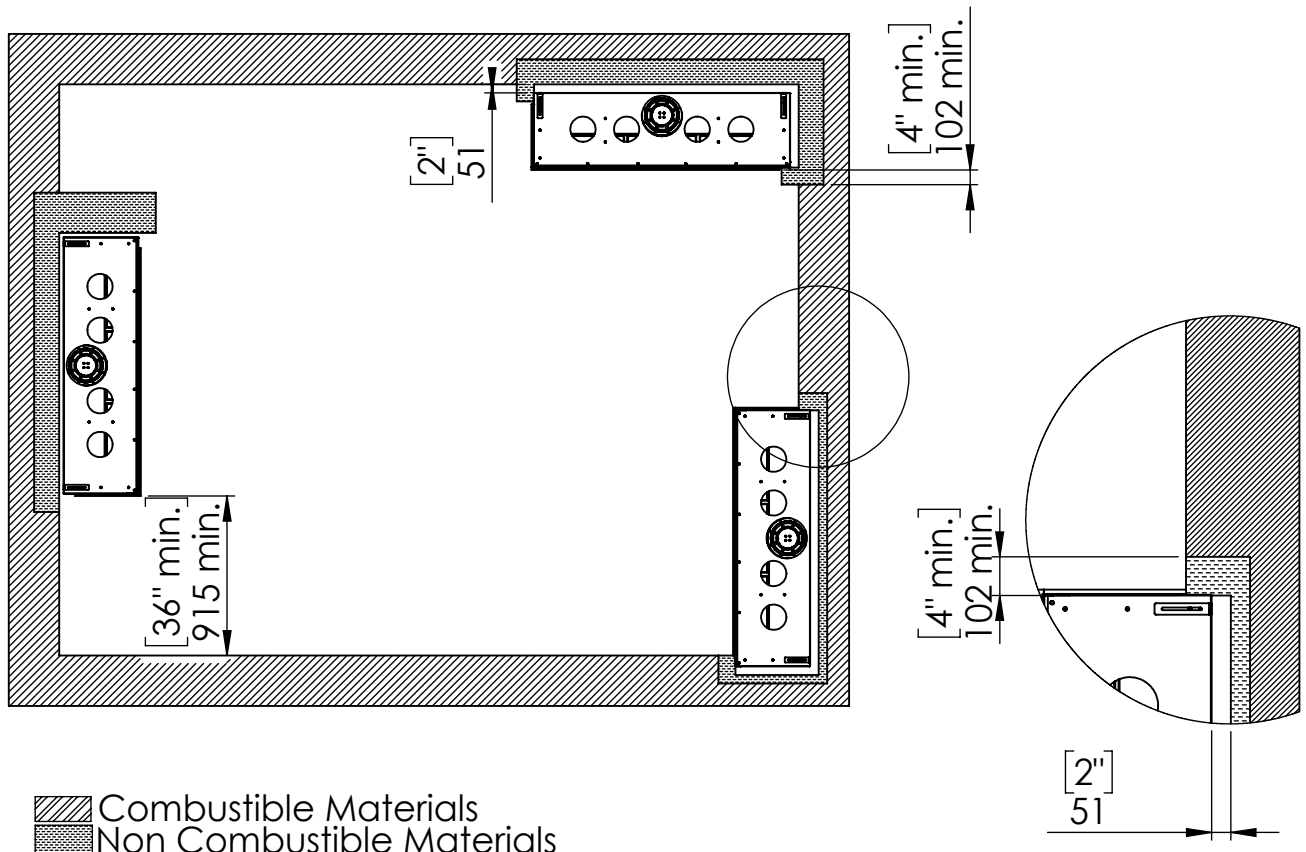


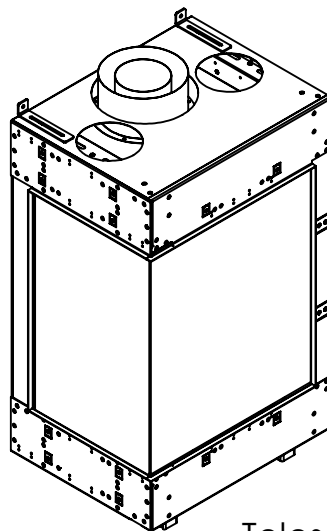
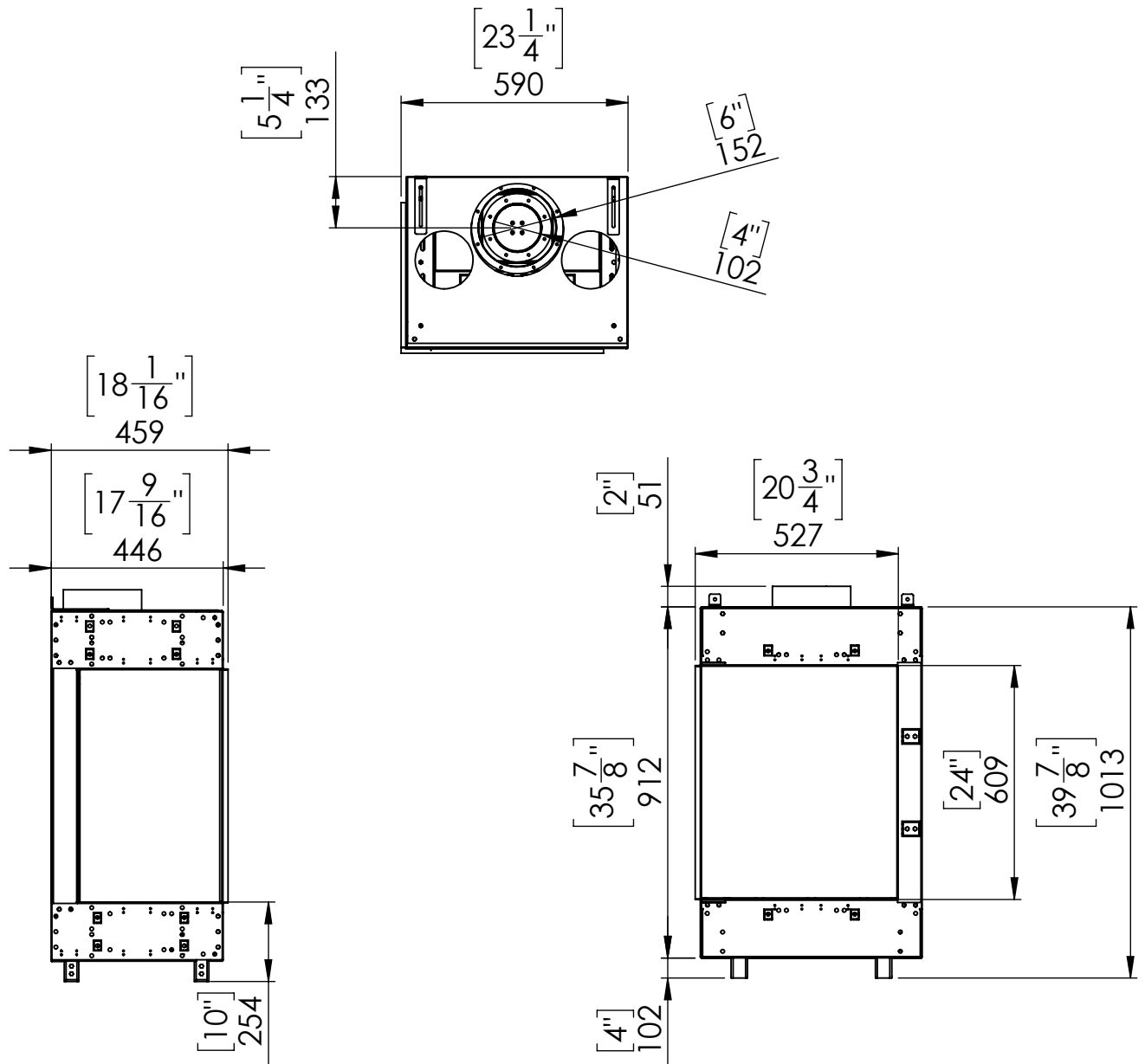
# Specifications for Appliance Flare Left Corner 25

Factor	NG	LPG
Burner Type	35	35
Orifice	650	220
BTU Max.	30000	20000
BTU min.	17500	12500
Kw/h	8.8k	5.8k
Chimney DIA.	4X6	4X6
Manifold Pressure[w.c]	5.4	8
Efficiency rate	81	77

Glass Size Length\Width	570.5 X 620 mm	22 7/16" X 24 7/16"
Appliance Weigh	85kg	185lb

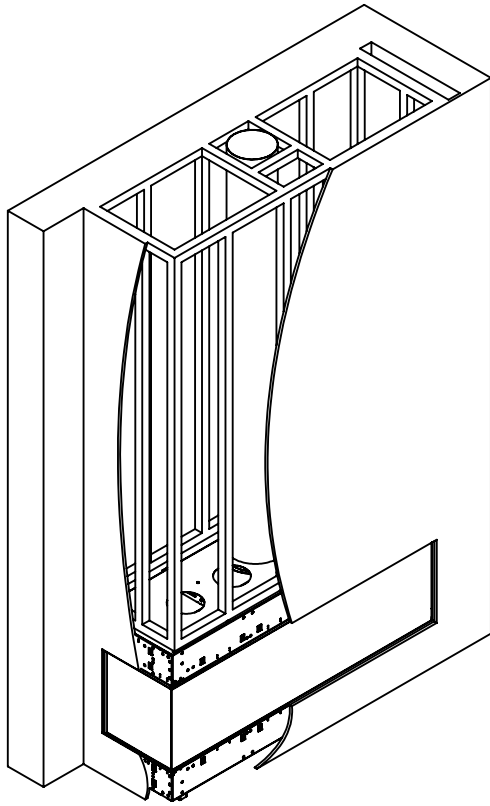
## Appliance Location



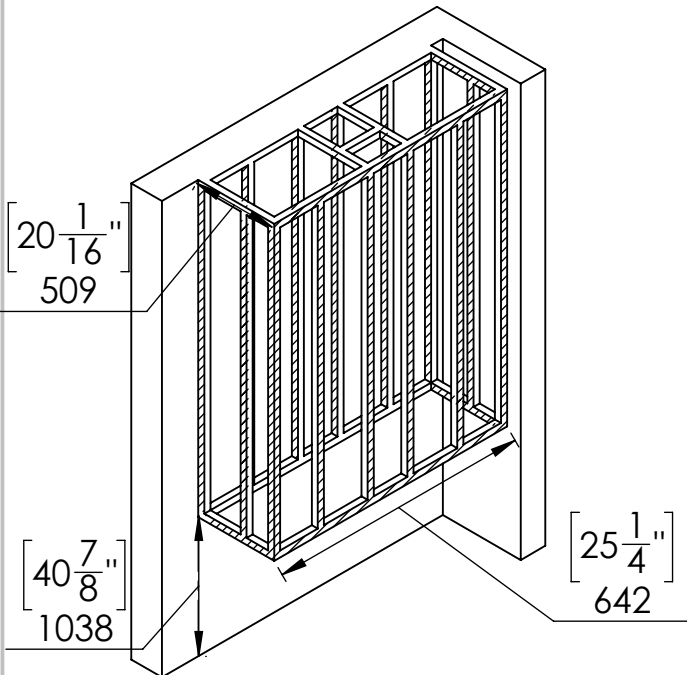


Telescopic leg ranges  
(from bottom of glass): 10"-19"

## Flat Installation

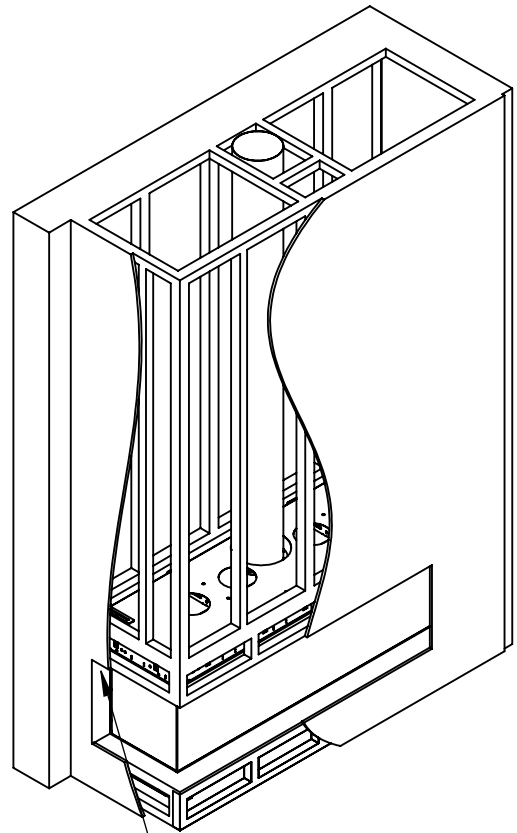


Step 1 - Basic Framing :



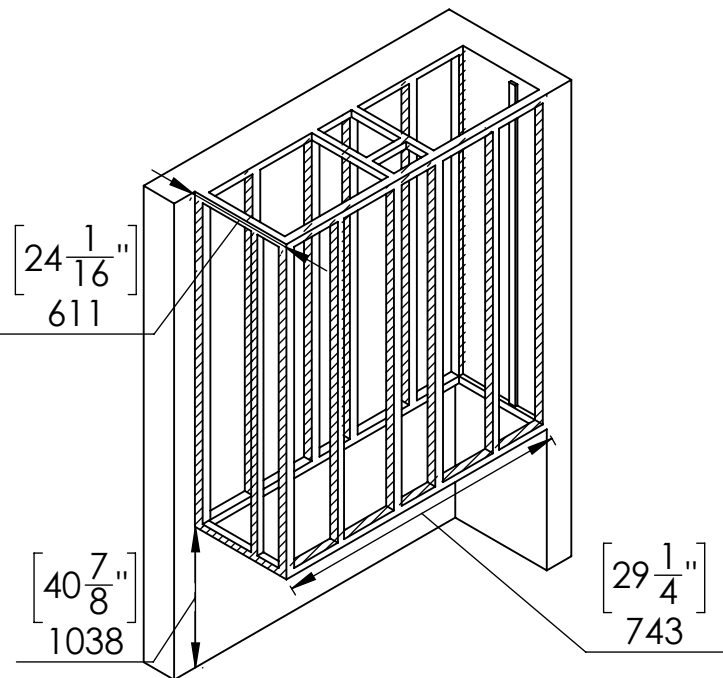
 Metal Studs

## Recess Installation



Top of Recess  
4" max

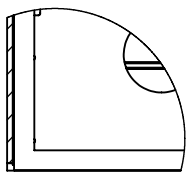
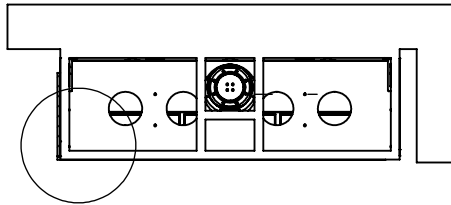
Step 1 - Basic Framing :



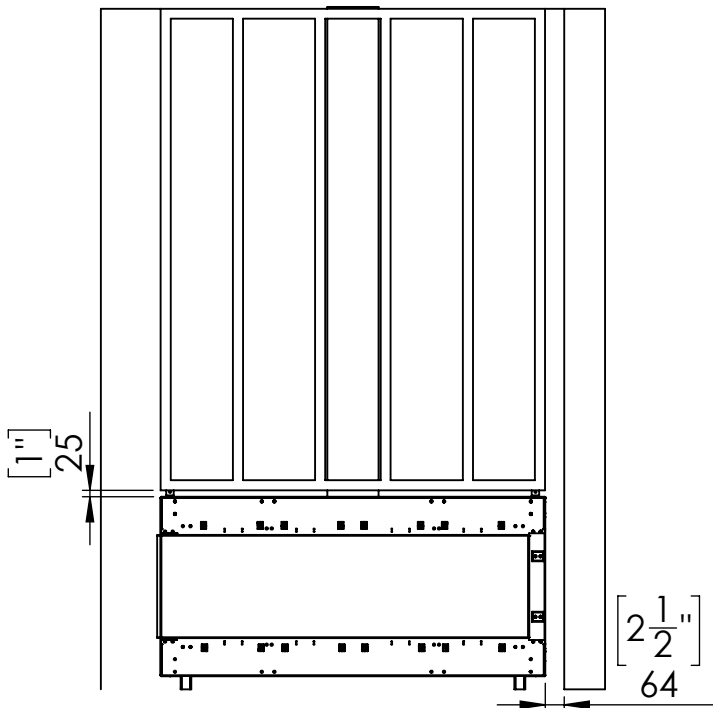
 Metal Studs

## Flat Installation

Step 2 -Positioning the Fireplace:

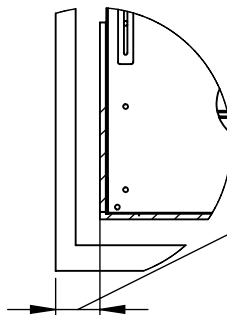
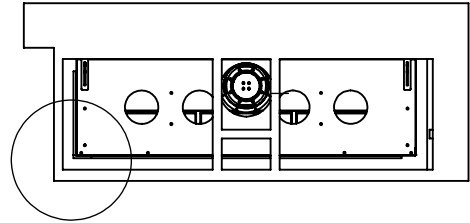


Fireplace frame finishing holder space to match wall finishing thickness



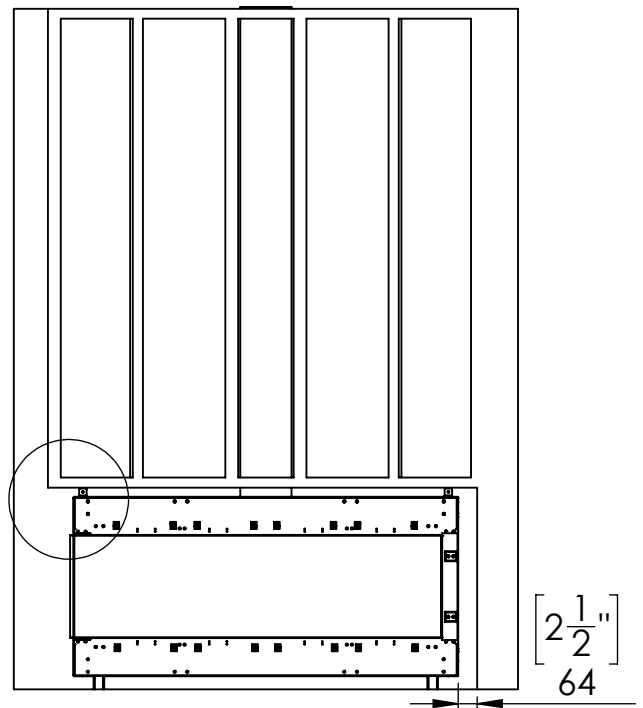
## Recess Installation

Step 2 -Positioning the Fireplace:



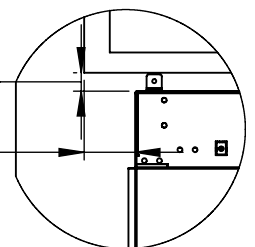
[4"]  
102

gap to match the max. length of top shelf.



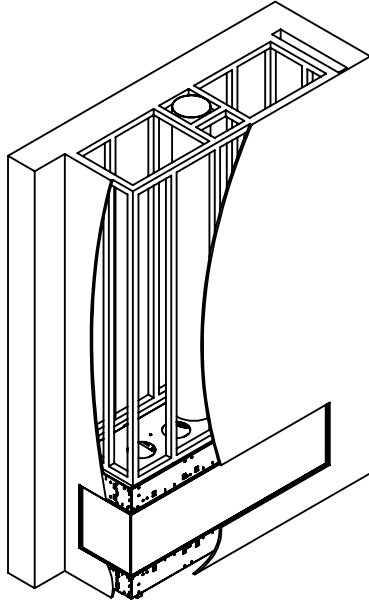
[4" max.]  
102 max.

[1"]  
25



## Flat Installation

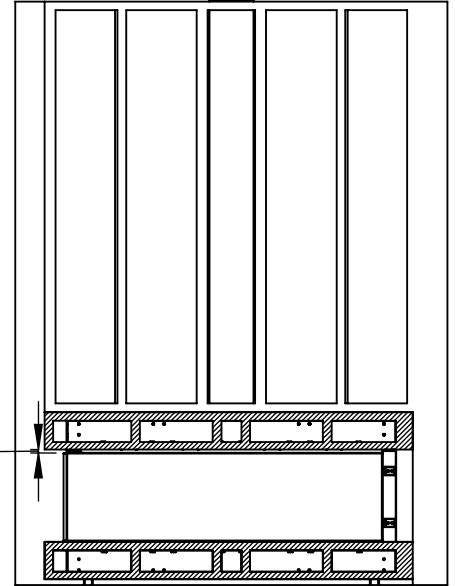
Last Step - Finishing The Fireplace Wall:



## Recess Installation

Step 3 - Framing Front Studs For Recess  
After positioning the Fireplace:

Covering  
material  
thickness



Last Step - Finishing The Fireplace Wall:

