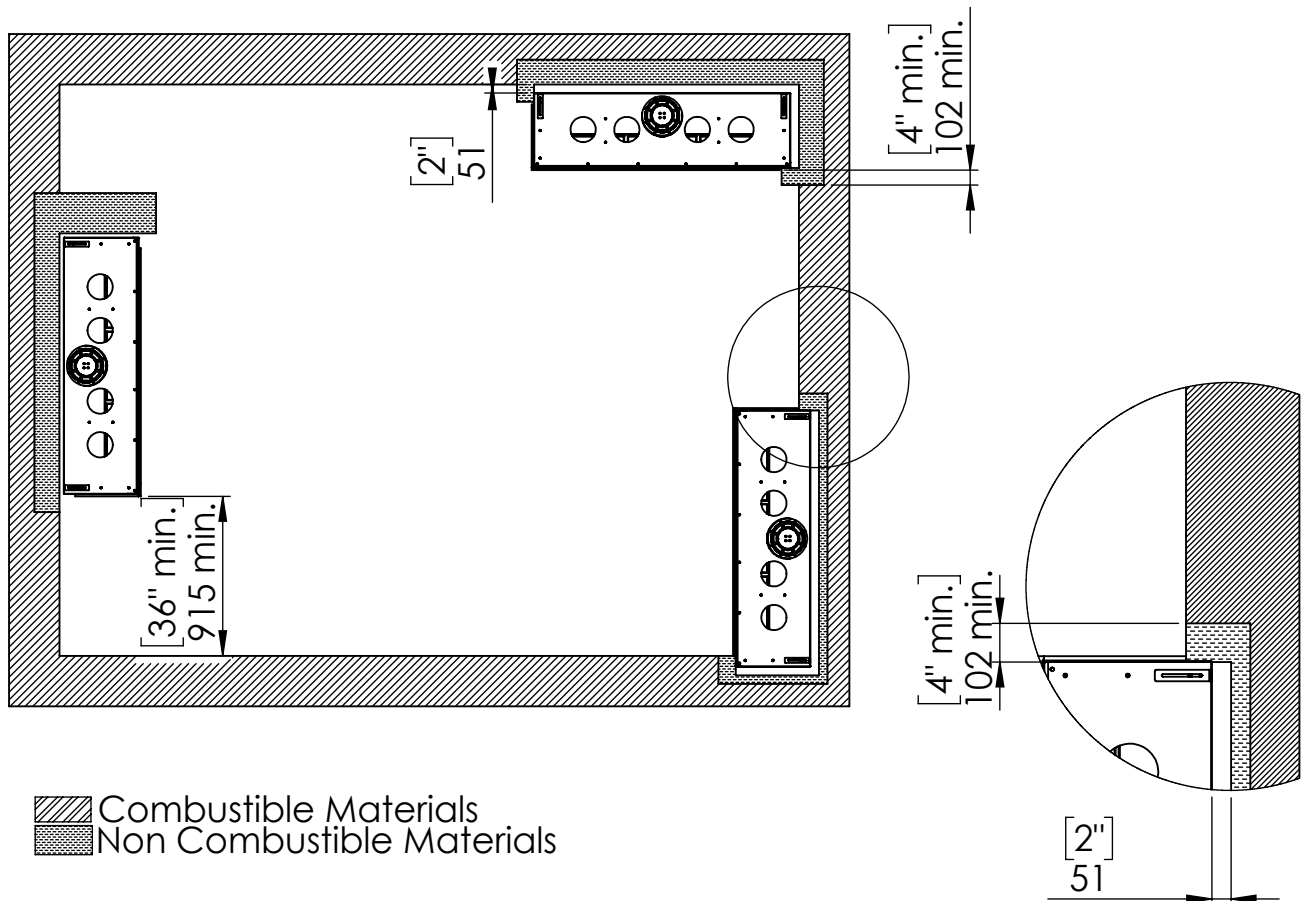


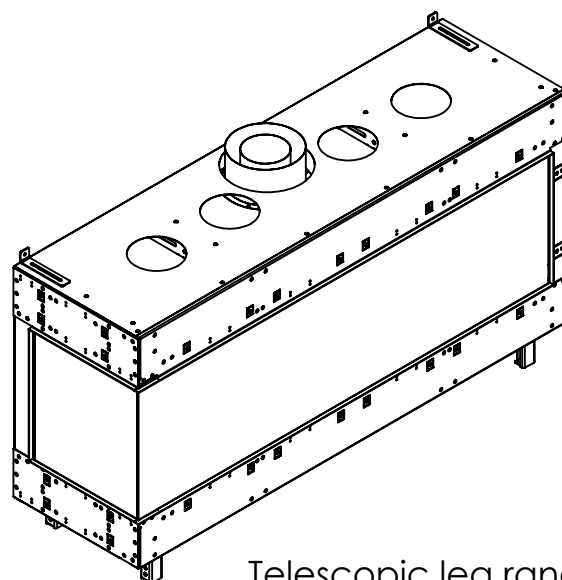
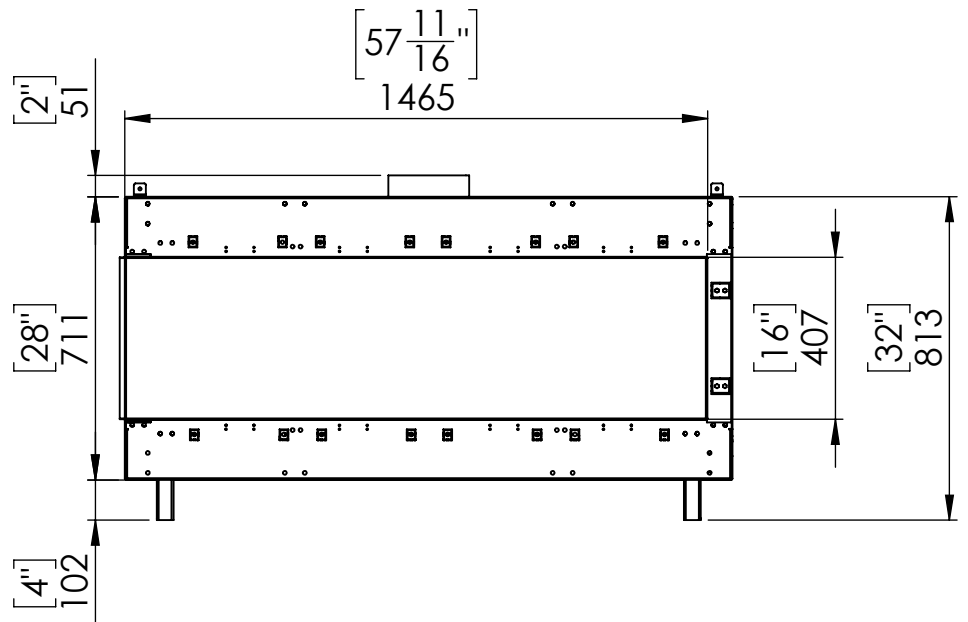
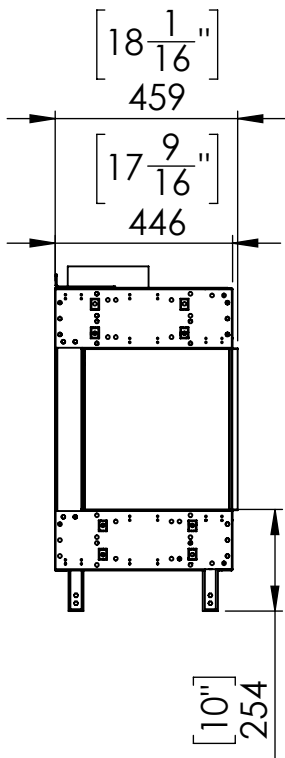
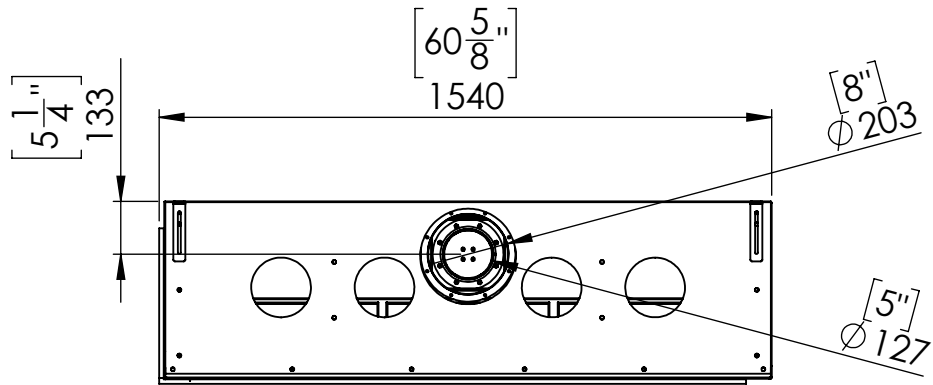


# Specifications for Appliance Flare Left Corner 60

Factor	NG	LPG
Burner Type	35,55,35	35,55,35
Orifice	500,800,500	160,160,160
BTU Max.	50000	41000
BTU min.	28000	20000
Kw/h	14.6k	12k
Chimney DIA.	5X8	5X8
Manifold Pressure[w.c]	3.3	10.4
Efficiency rate	77	80
Glass Size Length\Width	1520.5 X 423 mm	59.8" X 16.65"
Appliance Weigh	170Kg	375lb

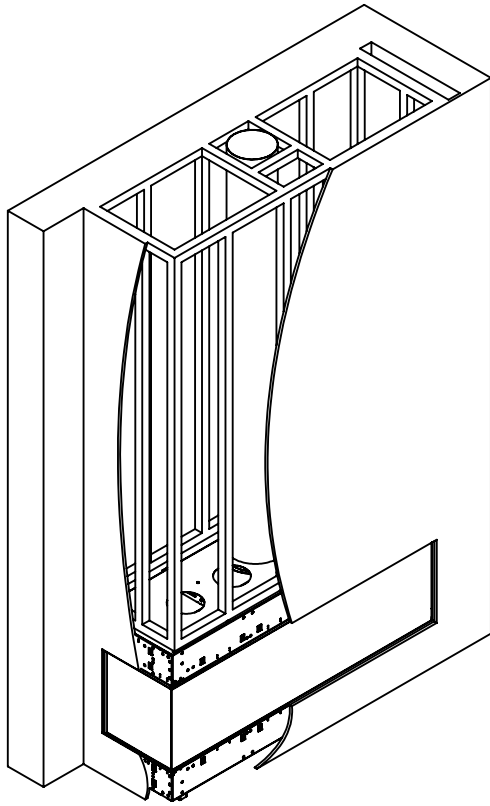
## Appliance Location



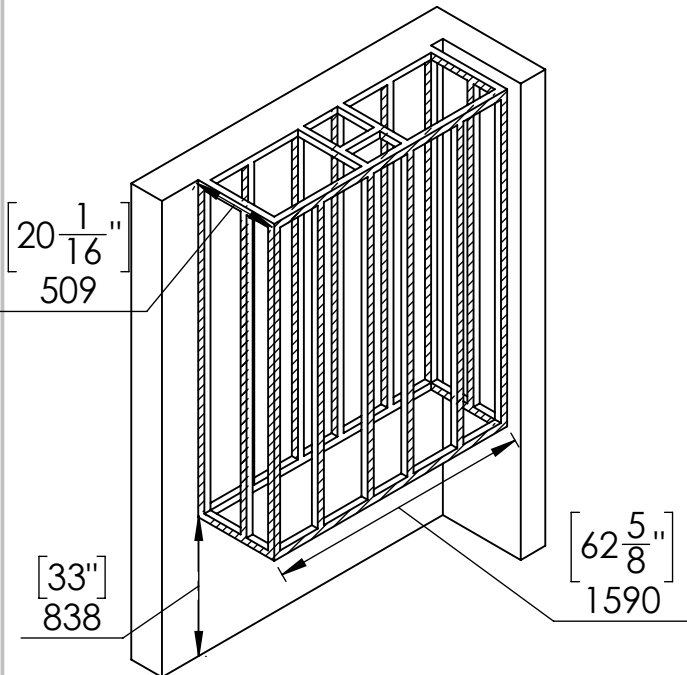


Telescopic leg ranges  
(from bottom of glass): 10"-19"

## Flat Installation

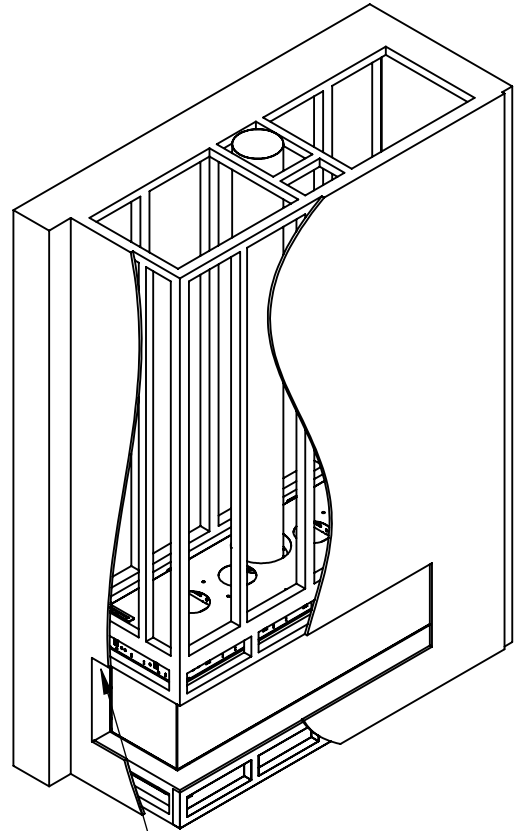


Step 1 - Basic Framing :



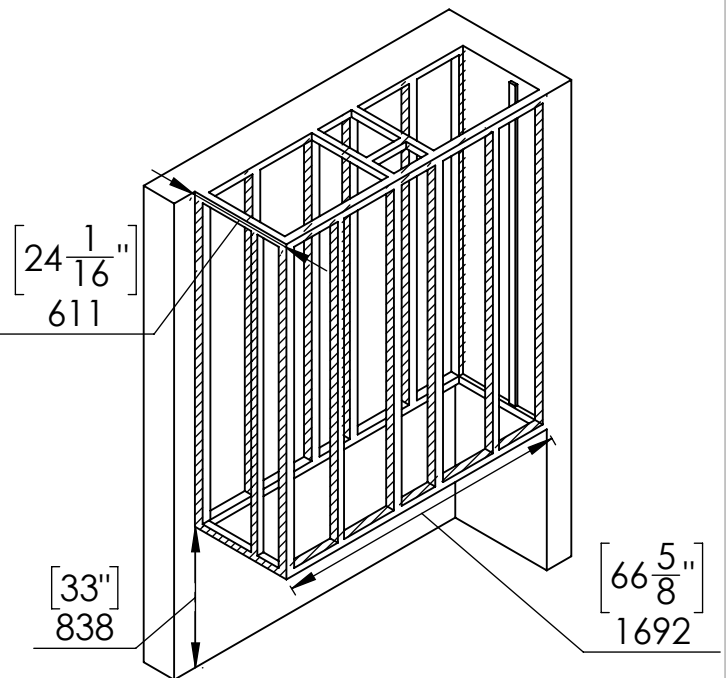
 Metal Studs

## Recess Installation



Top of Recess  
4" max

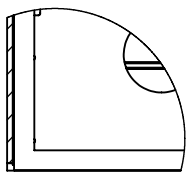
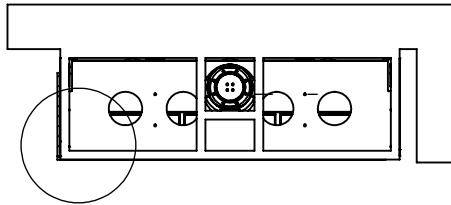
Step 1 - Basic Framing :



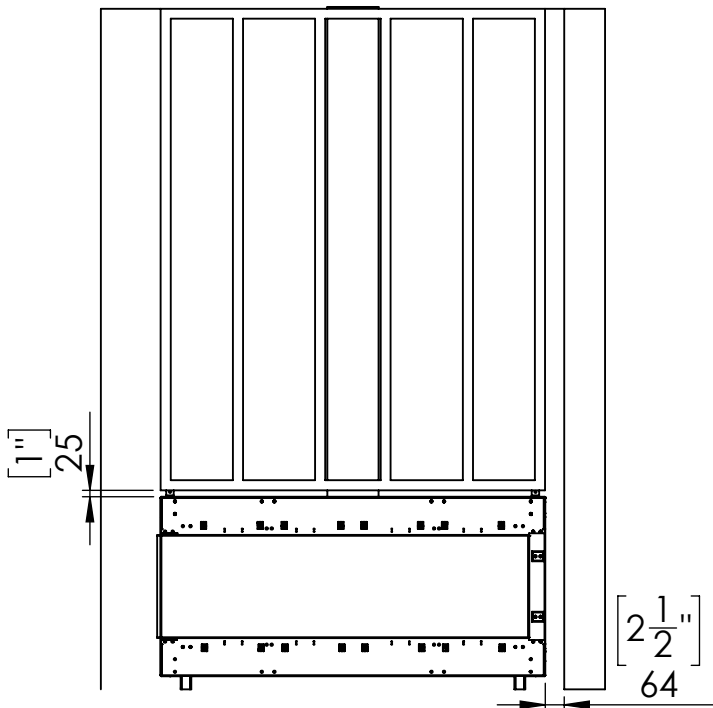
 Metal Studs

## Flat Installation

Step 2 -Positioning the Fireplace:

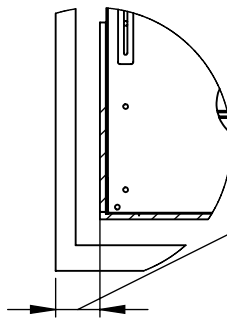
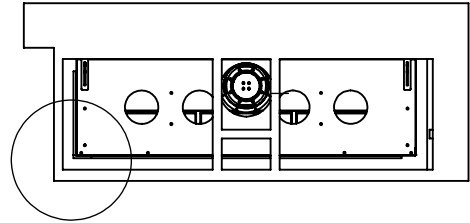


Fireplace frame finishing holder space to match wall finishing thickness

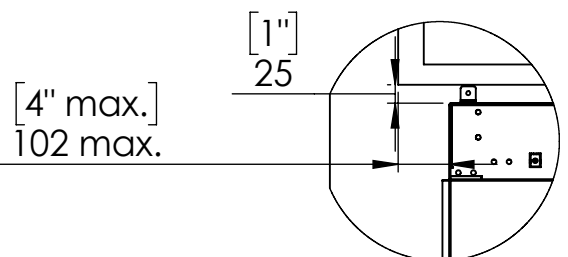
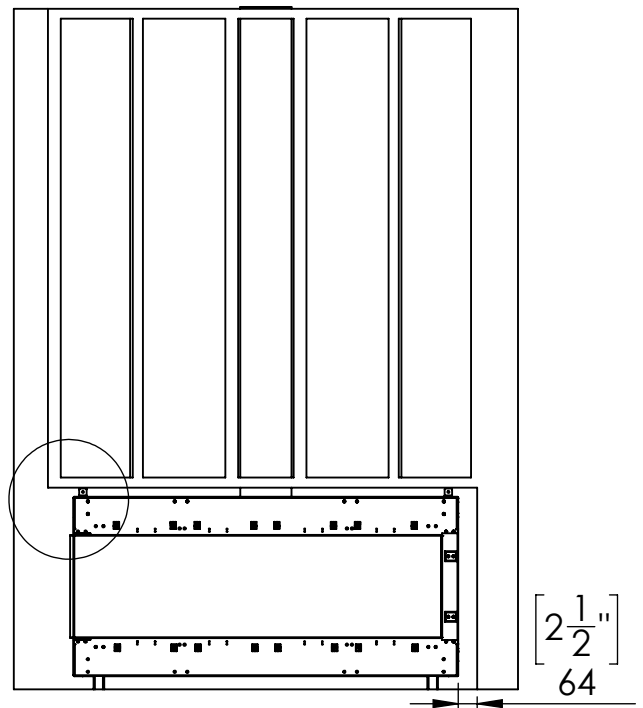


## Recess Installation

Step 2 -Positioning the Fireplace:

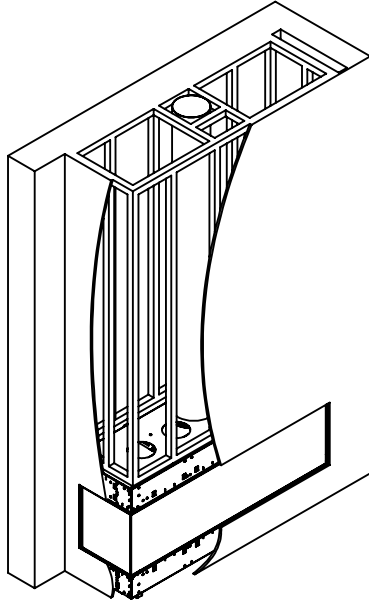


[4"]  
102 gap to match the max. length of top shelf.



## Flat Installation

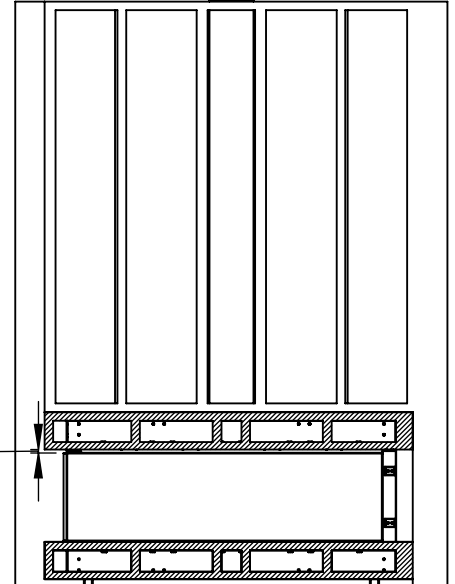
Last Step - Finishing The Fireplace Wall:



## Recess Installation

Step 3 - Framing Front Studs For Recess  
After positioning the Fireplace:

Covering  
material  
thickness



Last Step - Finishing The Fireplace Wall:

