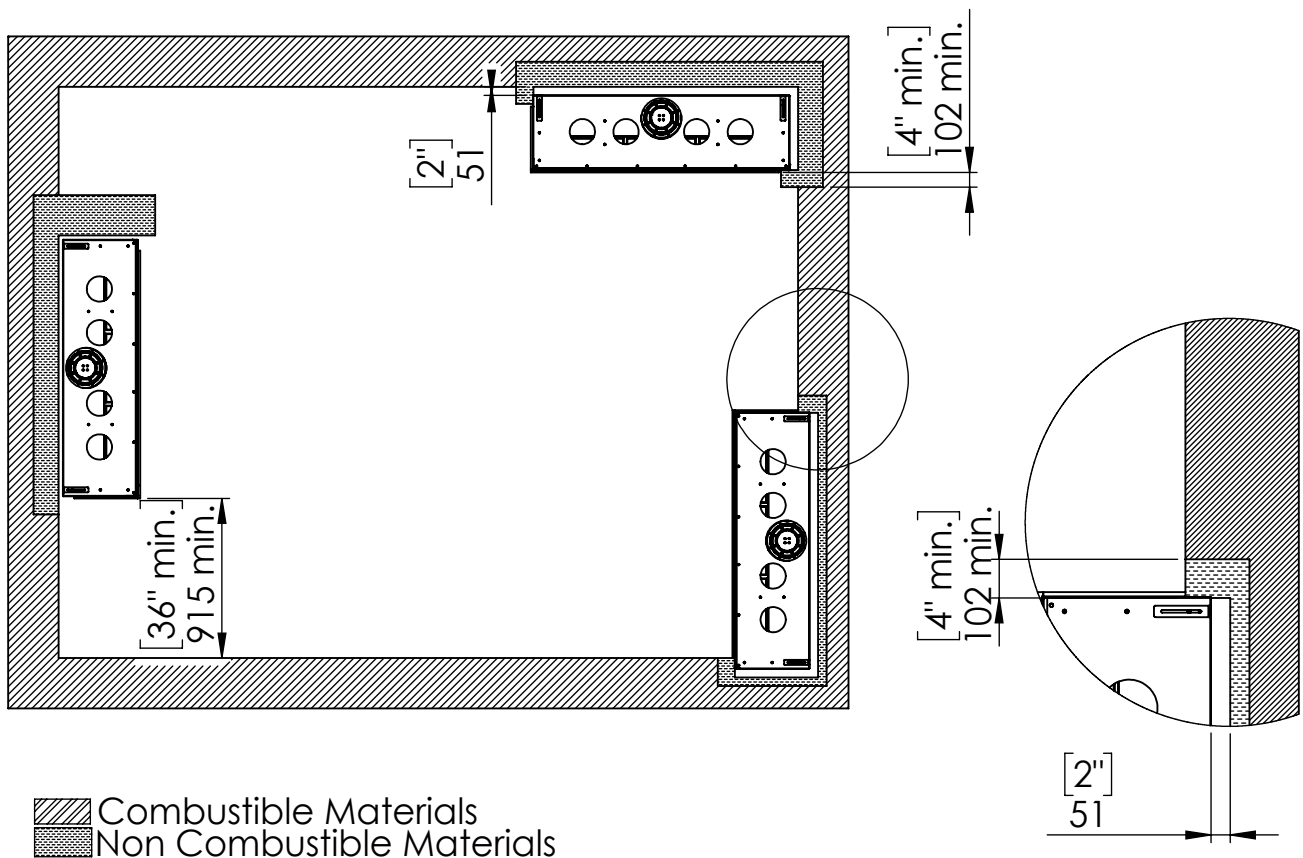




Specifications for Appliance Flare Left Corner 80H

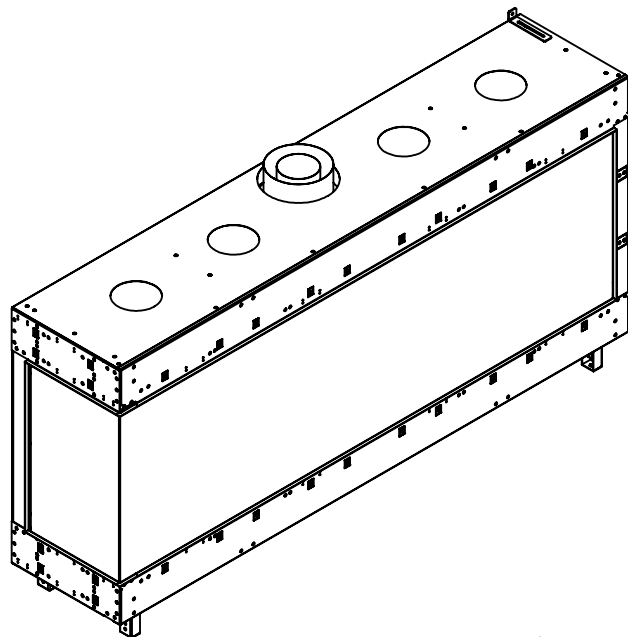
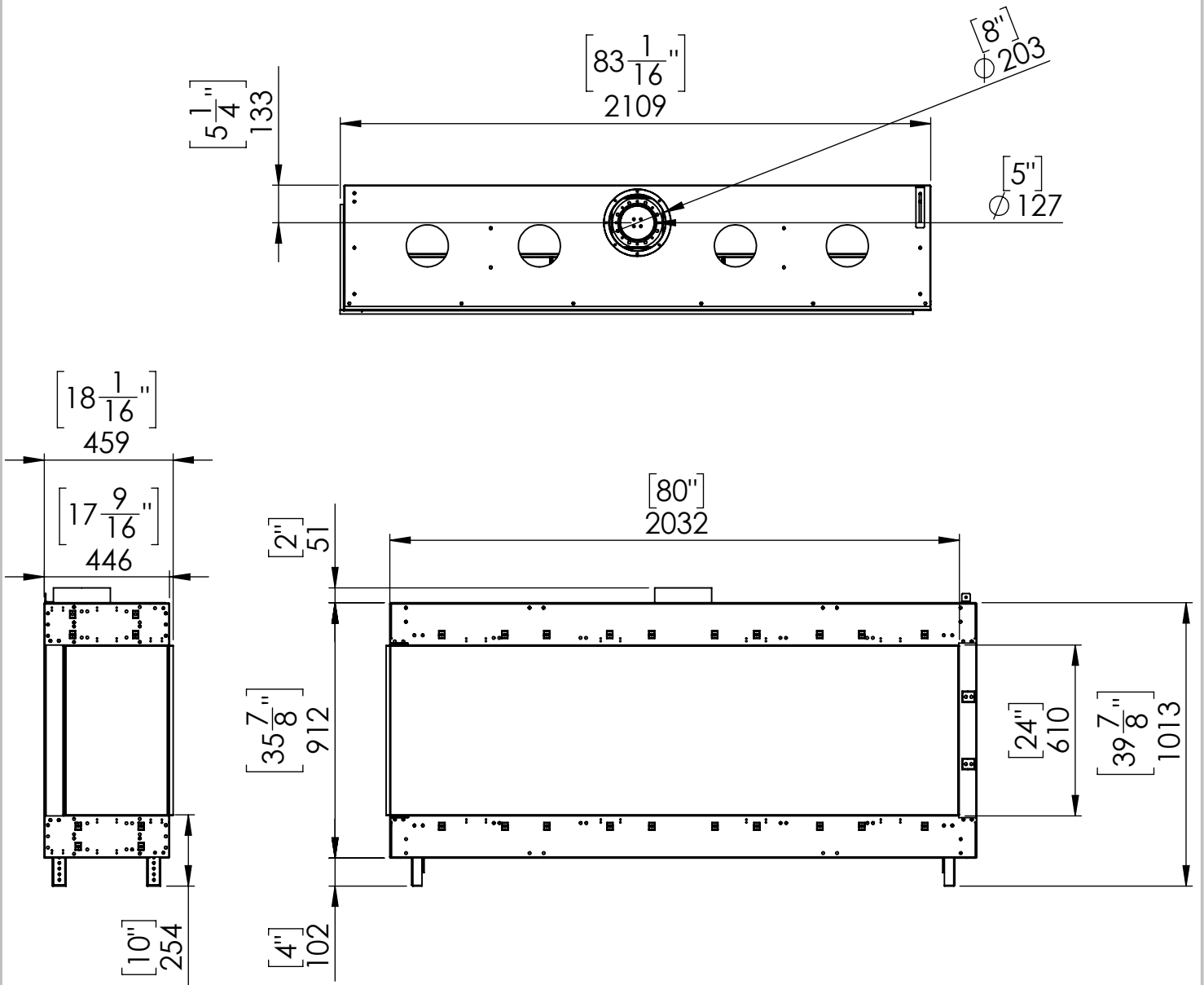
Factor	NG	LPG
Burner Type	35,105,35	35,105,35
Orifice	500,1200,500	160,260,160
BTU Max.	52200	43000
BTU min.	28000	20000
Kw/h	16.3k	13.5k
Chimney DIA.	5X8	5X8
Manifold Pressure[w.c]	3.4	8.8
Efficiency rate	82	80
Glass Size Length\Width	2090.5 X 620 mm	82" 5/16 X 24" 7/16'
Appliance Weigh	230Kg	505lb

Appliance Location



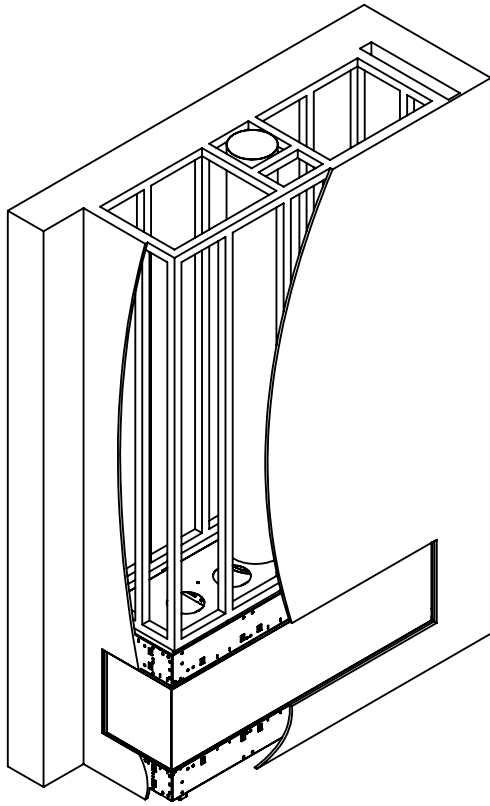


FLARE Left Corner 80H

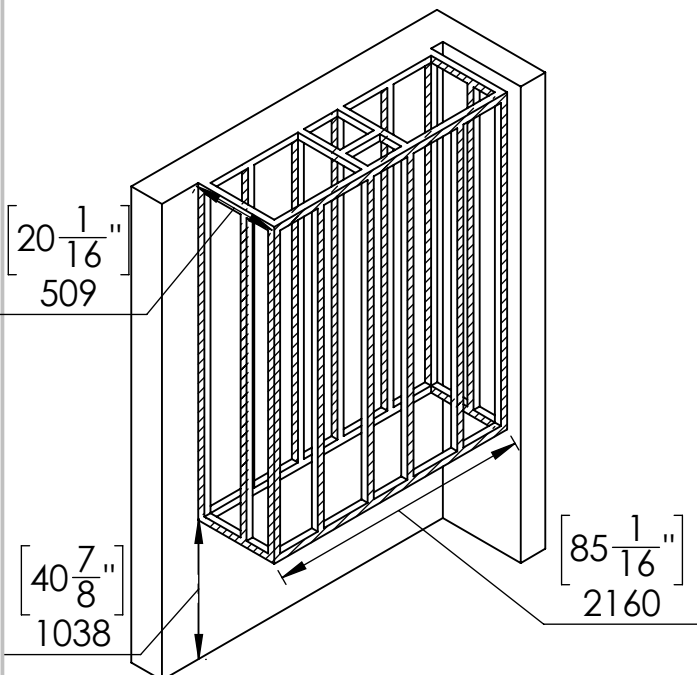


Telescopic leg ranges
(from bottom of glass): 10'-19"

Flat Installation

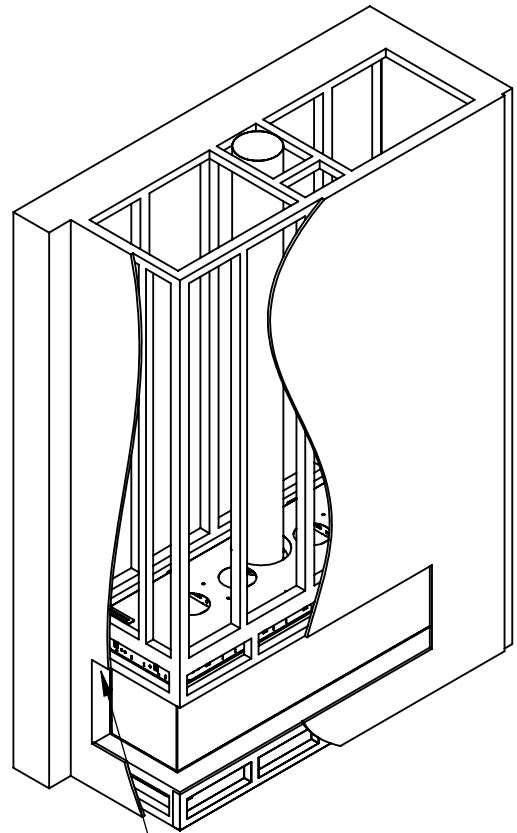


Step 1 - Basic Framing :



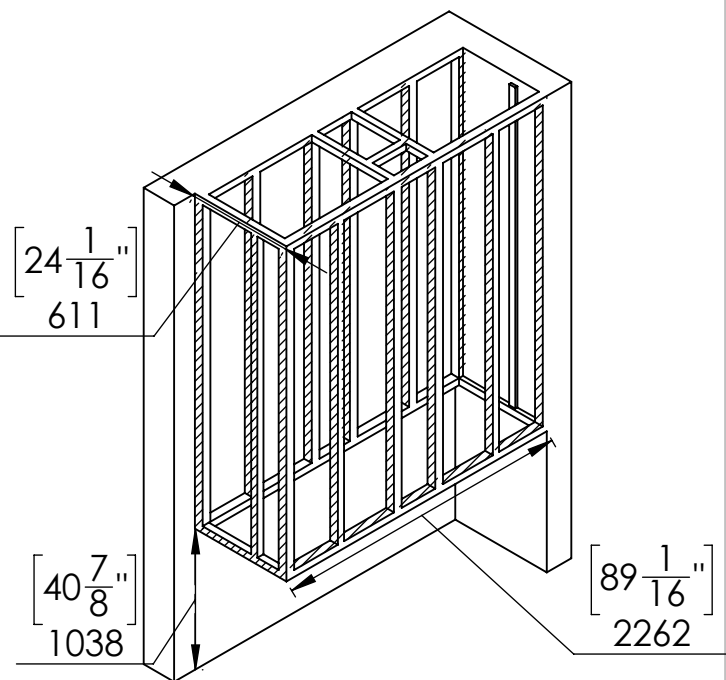
 Metal Studs

Recess Installation



Top of Recess
4" max

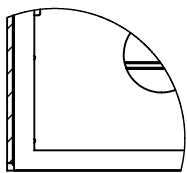
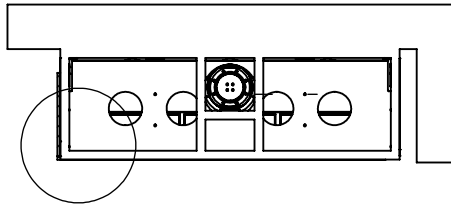
Step 1 - Basic Framing :



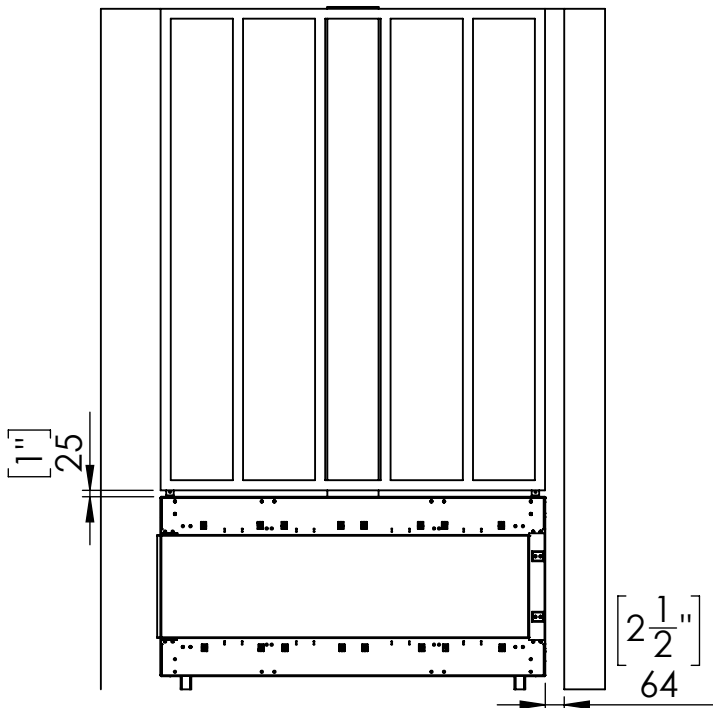
 Metal Studs

Flat Installation

Step 2 -Positioning the Fireplace:

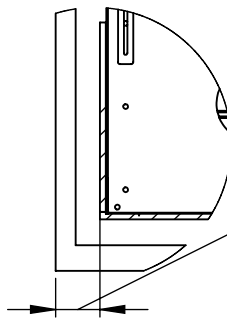
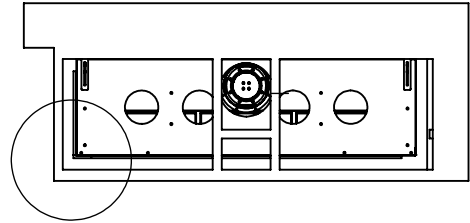


Fireplace frame finishing holder space to match wall finishing thickness



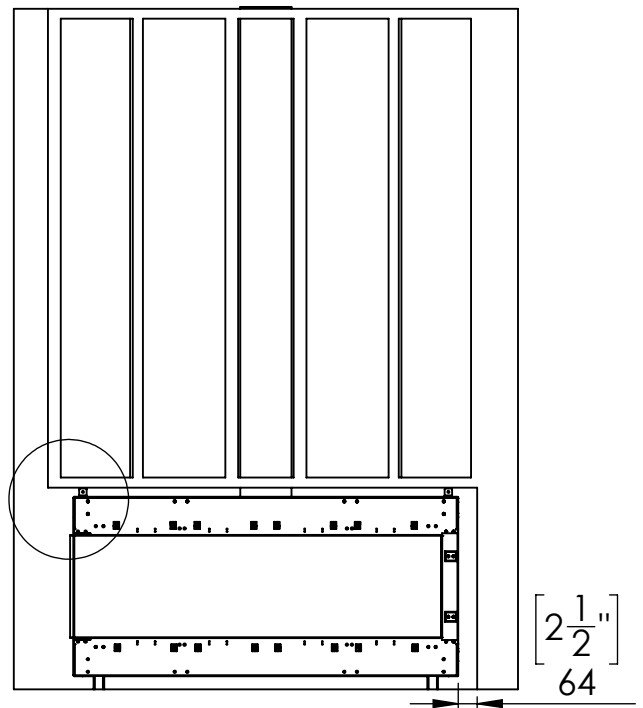
Recess Installation

Step 2 -Positioning the Fireplace:



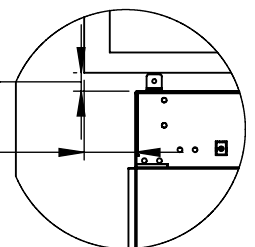
[4"]
102

gap to match the max. length of top shelf.



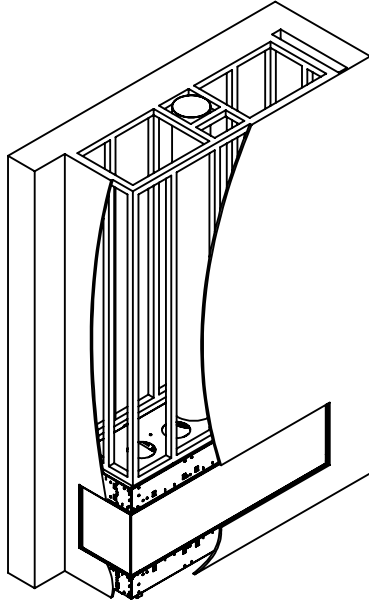
[4" max.]
102 max.

[1"]
25



Flat Installation

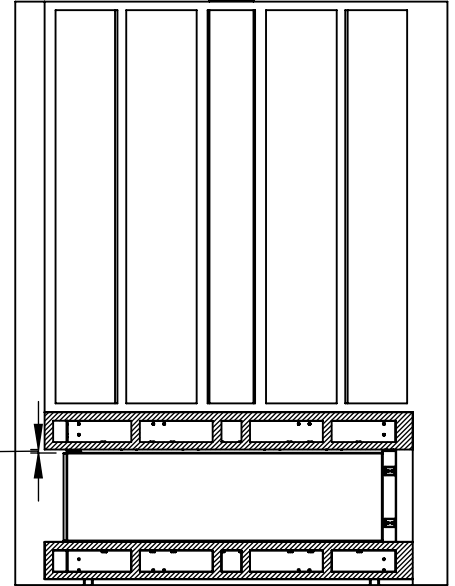
Last Step - Finishing The Fireplace Wall:



Recess Installation

Step 3 - Framing Front Studs For Recess
After positioning the Fireplace:

Covering
material
thickness



Last Step - Finishing The Fireplace Wall:

