



FLARE FIREPLACES

WARNING: If the information in these instructions are not followed exactly, a fire or explosion may result causing property damage, personal injury or loss of life.

- Do not store or use gasoline or other flammable vapors and liquids in the vicinity of this or any other appliance.
- WHAT TO DO IF YOU SMELL GAS
 - Do not try to light any appliance.
 - Do not touch any electrical switch; do not use any phone in your building.
 - Immediately call your gas supplier from a neighbor's phone. Follow the gas supplier's instructions.
 - If you cannot reach your gas supplier, call the fire department.
- Installation and service must be performed by a qualified installer, service agency or the gas supplier.

 **DANGER**



**HOT GLASS WILL
CAUSE BURNS.**

**DO NOT TOUCH GLASS
UNTIL COOLED.**

**NEVER ALLOW CHILDREN
TO TOUCH GLASS.**

A barrier designed to reduce the risk of burns from the hot viewing glass is provided with this appliance and shall be installed for the protection of children and other at-risk individuals.

**NATIONAL
FIREPLACE
INSTITUTE**



CERTIFIED
www.nficertified.org

We suggest that our gas hearth products be installed and serviced by professionals who are certified in the U.S. by the National Fireplace Institute® (NFI) as NFI Gas Specialists.

NOTICE

INSTALLER: Leave this manual with the appliance.

CONSUMER: Retain this manual for future reference.

Installation and service of this appliance MUST be performed by qualified certified NFI personnel.

Massachusetts: The piping and final gas connection must be performed by a licensed plumber or gas fitter in the State of Massachusetts. Also, see Carbon Monoxide Requirements Detector requirements on page 55

Flare Fireplaces Power Vent Installation Guide

[Flare Fireplaces PV system] v1.4

TABLE OF CONTANTS

SAFTEY INFO AND WARNINGS.....	3
FLARE FIREPLACES – FRAMELSS IN EVERY WAY	5
SAFETY.....	5
CSA CERTIFICATION	5
MANUAL MODEL LIST & INFORMATION.....	6
POWER VENTING OVER VIEW	7
3X5 VENT CONNECTION AND DIRECTION.....	9
MINIMUM COMBUSTIBLE CLEARANCES FROM VENT	10
VENT RESTRICTOR SETUP	13
PV ELECTRICAL CONNECTION.....	15
DIAGRAM – DOUBLE GLASS & PV - 2016	ERROR! BOOKMARK NOT DEFINED.
ELECTRIC DIAGRAM – PV SYSTEM	20
REPLACEMENT PARTS	21
MAINTRNACE.....	22
APPENDIX.....	24
MAINTENANCE LOG.....	24
WARRENTY POLICY	25

SAFETY INFO AND WARNINGS

WARNING!

The direct vent system appliance must be installed as an OEM installation in manufactured homes (USA only) or an aftermarket permanently located, or a mobile home, where not prohibited by local codes and must be installed in accordance with Manufacturer's instructions and the Manufactured Home Construction and Safety Standard, Title 24 CFR, Part 3280, in the United States, or the Standard for Installation in Mobile Homes, CAN/CSA Z240 MH Series, in Canada.

This appliance is only for use with the type(s) of gas indicated on the rating plate. A conversion kit is supplied with the appliance.

This product is listed to ANSI standards for ANSI Z21.50b-2009 / CSA 2.22b-2009 Vented Gas Fireplaces CAN/CGA 2.17-M91 Gas-Fired Appliance for use At High Altitudes.

WARNING!

If the information in these instructions are not followed exactly, a fire or explosion may result causing property damage, personal injury or loss of life.

Installation and service must be performed by a qualified installer, service agency or the supplier.

WARNING!

NEVER LEAVE CHILDREN OR OTHER AT RISK INDIVIDUALS ALONE WITH THE APPLIANCE

WARNING!

Young children should be carefully supervised when they are in the same room as the appliance. Toddlers, young children and others may be susceptible to accidental contact burns. A physical barrier is recommended if there are at risk individuals in the house. To restrict access to a fireplace or stove, install an adjustable safety gate to keep toddlers, young children and other at risk individuals out of the room and away from hot surfaces

WARNING!

Due to high temperatures, the appliance should be located out of traffic and away from furniture and draperies.

Children and adults should be alerted to the hazards of high surface temperature and should stay away to avoid burns or clothing ignition.

WARNING!

This appliance must be electrically wired and grounded in accordance with local codes or, in the absence of local codes, with National Electric Code ANSI/NFPA 70- latest edition or the Canadian Electric Code CSA C22.1.

A 110-120V AC circuit for this product must be protected with ground-fault circuit-interrupter protection, in compliance with the applicable electrical codes, when it is installed in locations such as in bathrooms or near sinks.

Proposition 65 Warning: Fuels used in gas, wood burning or oil fired appliances, and the products of combustion of such fuels, contain chemicals known to the State of California to cause cancer, birth defects and other reproductive harm. California Health & Safety Code Sec. 25249.6. In the state of Massachusetts, only a licensed plumber and gas fitter may install this product. See Note for the Commonwealth of Massachusetts

FLARE FIREPLACES – FRAMELESS IN EVERY WAY

Flare Fireplaces is where innovation, quality and luxury come together to form new ideas.

By combining superior raw materials, contemporary design, creative technology and a frameless way of thinking, we have created a full line of direct-vent fireplaces that are luxurious, simple to operate and efficient.

Our Fireplaces are distinguished by their clean design, superior build quality and unique features.

SAFETY

CSA CERTIFICATION

All of our fireplaces are tested and have been certified to meet stringent CSA guidelines, ensuring optimum quality, safety and efficiency.

All our fireplaces have been certified and tested to work with Natural Gas or Propane.

Certification Information:

ANSI Z21.88/CSA 2.33-2014- Vented Gas Fireplace Heaters

CSA CLASSES:

CLASS 2901 84 / CLASS 2901 04

MANUAL MODEL LIST & INFORMATION

The Following manual should be used for the following Flare Fireplaces Models:

- Flare Front 25-100 “
- Flare See-Through 25-100”
- Flare Corner Right & Left 25-100”
- Flare Double Corner 25-100”
- Flare Room Definer 30-100”

In order to simplify the installation and operation, all models above share the same gas valve system, remote, gas connection, glass type.

All warning and instruction apply to all models.

Flare Fireplaces PV system should only be connected to M&G 3x5 venting system.

For detailed chimney installation information please use the M&G DuraVent direct vent installation manual:
<http://www.duravent.com>

This product is listed to ANSI standards for “Vented Gas Fireplace Heaters” and applicable sections of “Gas Burning Heating Appliances for Manufactured Homes and Recreational Vehicles”, and “Gas Fired Appliances for Use at High Altitudes”.

Installation MUST comply with local, regional, state and national codes and regulations. Consult insurance carrier, local building inspector, fire officials or authorities having jurisdiction over restrictions, installation inspection and permits.

This installation must conform to local codes. In the absence of local codes you must comply with the National Fuel Gas Code, ANSI Z223.1-latest edition in the U.S.A. and the CAN/CGA B149 Installation Codes in Canada.

Improper installation, adjustment, alteration, service or maintenance can cause injury or property damage. For assistance or additional information, consult a qualified service technician, service agency or your dealer.

POWER VENTING OVER VIEW

In an event of a vent route that is unsupported based on the gravity vent tables showing on the flare install manual, Flare Fireplaces can be used using power vent solution. The power vent solutions allow to operate the fireplace in vent conditions that would not be possible without the motor unit.

The Flare power vent system is an optional feature and can be used on a Flare Fireplace using double glass or safety screen.

The system is designed and tested with Duravent 3x5 gasket direct vent pipes. It is critical for the safety and operation of the system to use the Duravent 3x5 gasket system.

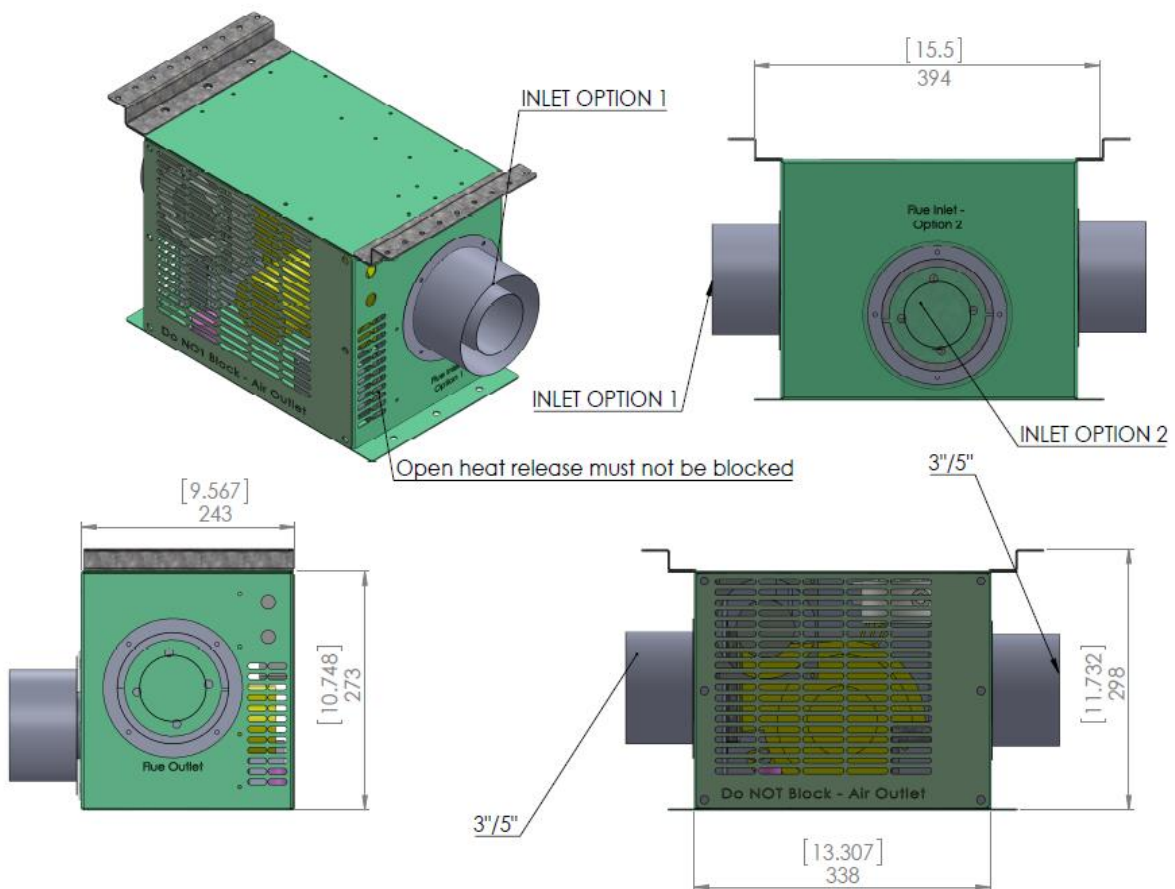
See below link for the Duravent catalog for vent parts and part list number:

http://duravent.com/docs/product/CVS_Catalog_Section_2016.pdf

The Flare inline PV system can be installed with up to 6 -90 degree elbows with up to 100 Feet vent run.

A minimum length of venting is required between the appliance. Do not install power vent system if the minimum length is below 12ft.

The PV system can be installed with a maximum of 6 feet vent run below the fireplace.

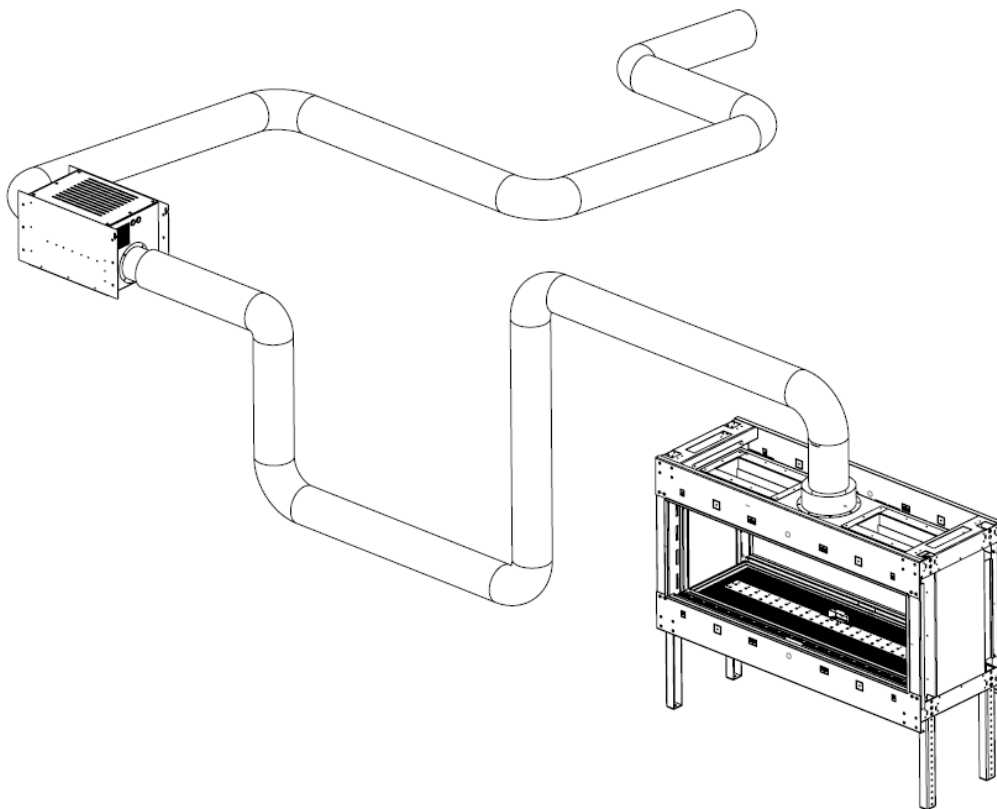


Instructuins:

When using the power vent system it is critical that the vent path will remain completely sealed in order for the power vent system to operate . The vent length and restrictor level should be set based on number of feet , number of elbows and the vent termination .

Clearance - Clearances between the vent pipe and combustible materials must be maintained at 3” inches top and 1” for side and below. Maintain the same clearance from the power vent box to any combustible materials.

- **HORIZONTAL VENT CLEARANCES:** A minimum clearance of 3” (76mm) to the top and 1” (51mm) to the sides and bottom of the vent pipe on all horizontal runs to combustibles is required.
- **VERTICAL VENT CLEARANCES:** A minimum of 1” (25mm) all around the vent pipe on all vertical runs to combustibles is required except for clearances in appliance enclosures.



Power vent unit must be installed by a qualified installer in accordance with these instructions.

CAUTION! Failure to install, operate, and maintain the power venting system in accordance with manufacturer's instructions will result in conditions which may produce bodily injury and/or property damage

3X5 VENT CONNECTION AND DIRECTION

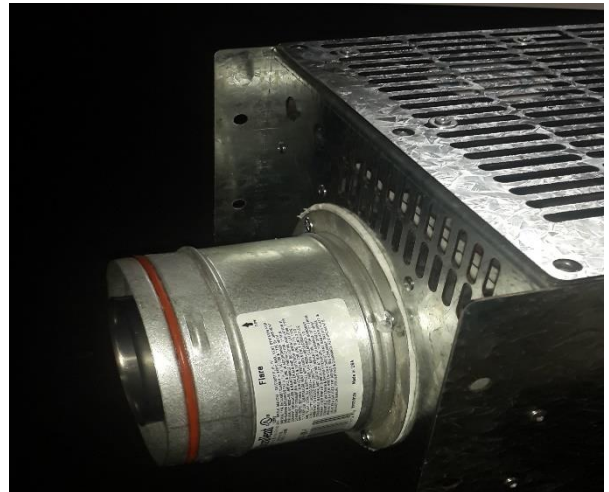
The Flare PV system uses duravent 3x5 CVS vent system. The duravent CSV vents includes a lock system and a silicone gasket on every side of the vent. Make sure you follow the duravent CVS installation manual:

<http://duravent.com/docs/product/L916.pdf>

Please follow the vent marking for directing of vent flow . The direction is clearly marked on the 3x5 vents, the Fireplace vent adapter and the PV vent adapters. See below pictures for clarification on the PV system vent connection:



PV Vent INLET



PV Vent OUTLET

MINIMUM COMBUSTIBLE CLEARANCES FROM VENT

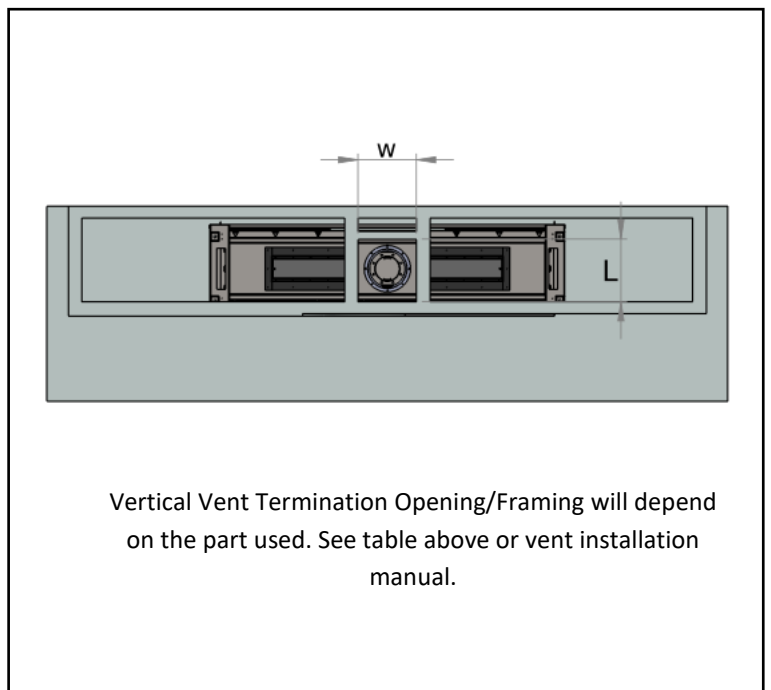
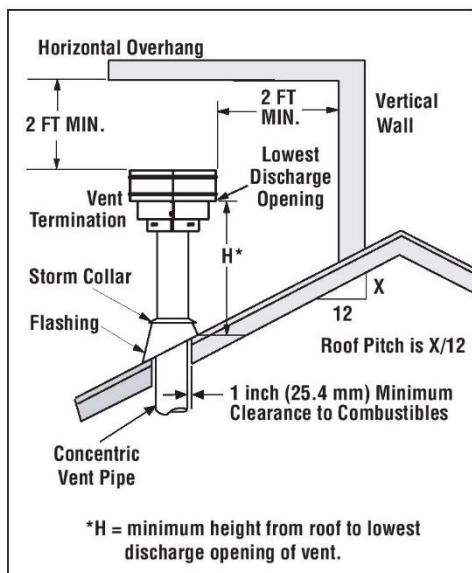
VERTICAL TERMINATION

Please make sure clearances to combustibles is maintained based on vent part used. Opening size will depend on the vent size/fireplace size and Duravent part # to be used.

Please make sure to follow Duravent installation instruction:

<http://duravent.com/docs/product/L916.pdf>

Minimum height from roof lowest discharge opening

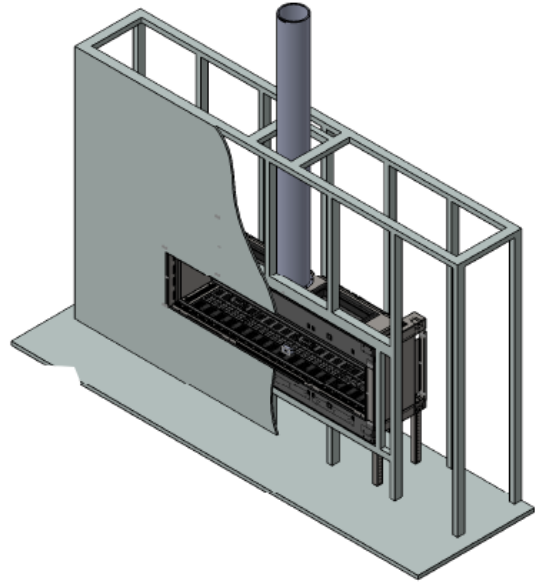
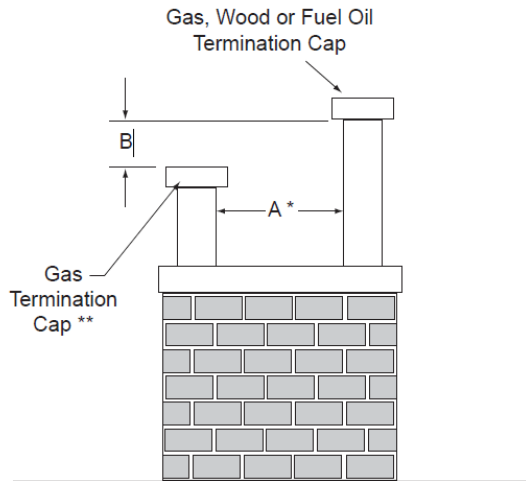


Termination Heights for Vents Above Flat or Sloped Roofs (Ref. NFPA 54 / ANSI Z223.1)

Roof Pitch	*Feet	*Meters
Flat to 6/12	1.0	0.3
6/12 to 7/12	1.25	0.38
7/12 to 8/12	1.5	0.46
8/12 to 9/12	2.0	0.61
9/12 to 10/12	2.5	0.76
10/12 to 11/12	3.25	0.99
11/12 to 12/12	4.0	1.22
12/12 to 14/12	5.0	1.52
14/12 to 16/12	6.0	1.83
16/12 to 18/12	7.0	2.13
18/12 to 20/12	7.5	2.29
20/12 to 21/12	8.0	2.44

Multiple terminations

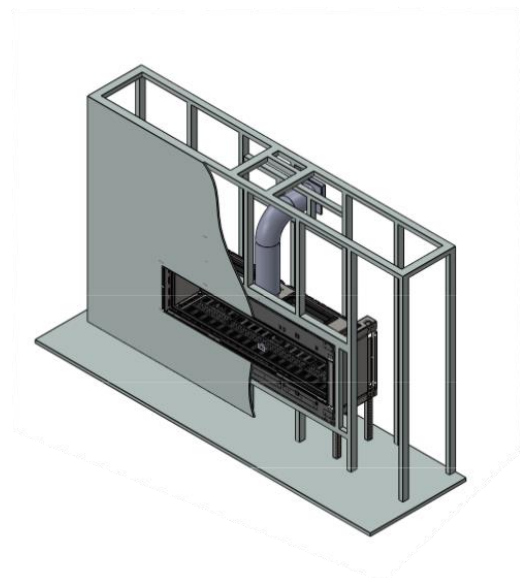
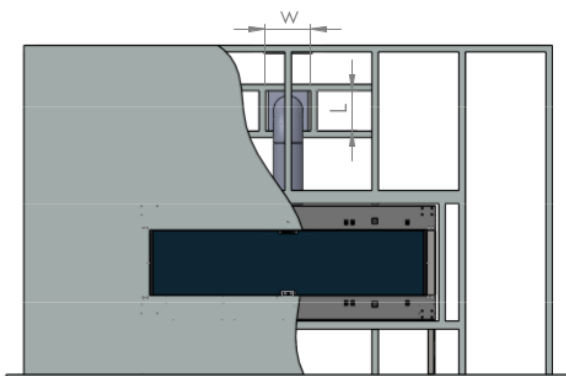
A	B
6 in. (minimum) up to 20 in. <i>152 mm/508 mm</i>	18 in. minimum <i>457 mm</i>
20 in. and over	0 in. minimum

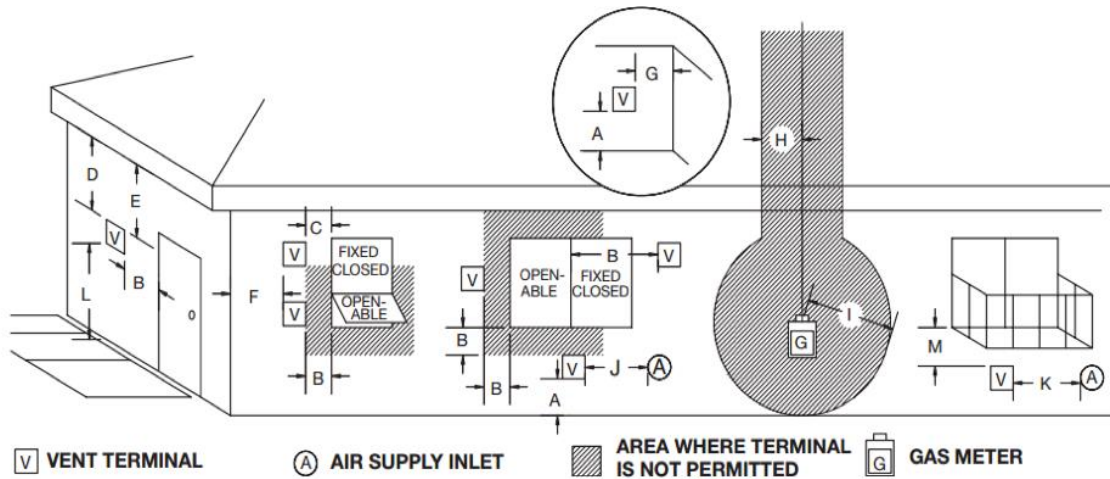


- * If using decorative cap cover(s), this distance may need to be increased. Refer to the installation instructions supplied with the decorative cap cover.
- ** In a staggered installation with both gas and wood or fuel oil terminations, the wood or fuel oil termination cap must be higher than the gas termination cap.

HORIZONTAL TERMINATION

A minimum distance of 18 inches should be kept between multiple horizontal terminations.





Vent termination clearances

A	*12 inches (30 cm) min.	Clearances above grade, veranda, porch, deck, or balcony
B	*12 inches (30 cm) min.	Clearance to window or door that may be opened
C	12 inches (30 cm) min.	Clearance to permanently closed window recommended to prevent condensation on window
D	30 inches (76 cm) min. for Flare units 80” and 100” 18 inches (46 cm) min. for Flare units 70” and below (vinyl surfaces require 24 inches (61 cm) min.)	Vertical clearance to ventilated soffit located above the terminal within a horizontal distance of 2 feet (60 cm) from the edge of the terminal
E	30 inches (76 cm) min. for Flare units 80” and 100” 18 inches (46 cm) min. for Flare units 70” and below (vinyl surfaces require 24 inches (61 cm) min.)	Clearance to unventilated soffit.
F	6 inches (15 cm) min.	Clearance to outside corner
G	6 inches (15 cm) min.	Clearance to inside corner
H	3 feet (90 cm) min.	*Not to be installed above a meter/regulator assembly within 3 feet (90 cm) horizontally from the center-line of the regulator

I	3 feet (90 cm) min.	Clearance to service regulator vent outlet
J	*12 inches (30 cm) min.	Clearance to non-mechanical air supply inlet to building or the combustion air inlet to any other appliance
K	*6 feet (1.8 m) min.	Clearance to a mechanical air supply inlet
L	*7 feet (2.1 m) min.	^ Clearance above paved side-walk or a paved driveway located on public property
M	**30 inches (76 cm) min.	Clearance under veranda, porch, deck, or balcony

^ a vent shall not terminate directly above a side-walk or paved driveway which is located between two single family dwellings and serves both dwellings*

** only permitted if veranda, porch, deck, or balcony is fully open on a minimum of 2 sides beneath the door*

* as specied in CGA B149 Installation Codes, Note: local Codes or Regulation may require different clearances

* for U.S.A. Installations follow the current National Fuel Gas Code, ANSI Z223.1

***Horizontal vent termination minimum clearance to adjacent structure or fence is 48".

**** Minimum 24" horizontal clearance to any surface (such as an exterior wall) for vertical terminations

VENT RESTRICTOR SETUP

Flare Fireplace direct vent system is equipped with a vent restrictor. Use the chimney path installation planning chapter to determine what the vent restrictor setup should be for your installation.

Vent restrictor changes and setup should only be done by a certified installer

- The unit leaves the factory with the vent restrictor open.
- The vent restrictor is adjusted using a 10mm wrench below the front upper frame.
- The vent restrictor setting is from 1 (minimum restriction) to 6 (max restriction).
- The installer will document the restrictor setting in the end of the installation.



Restrictor not set right:

Restrictor position is too closed if the flame has the following characteristics:

- Flame is excessively tall and lifting.
- Flame lacks movement.

Restrictor position is too open if the flame has the following characteristics:

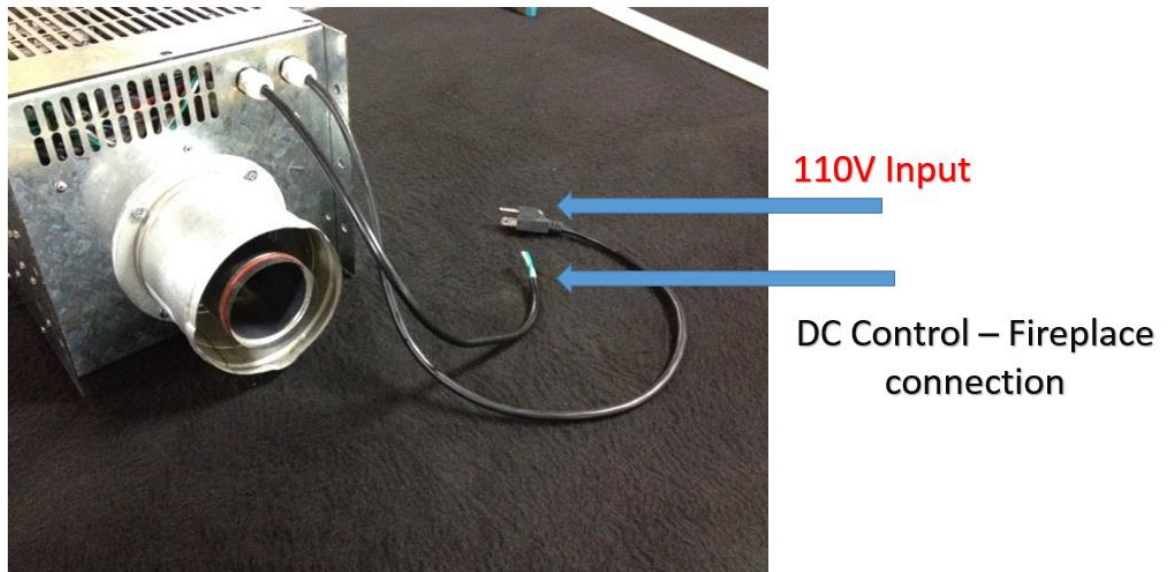
- Flame height is low.
- Flame has excessive movement

Document any change to the restrictor setting

Contact Flare Fireplaces for support if needed

PV ELECTRICAL CONNECTION

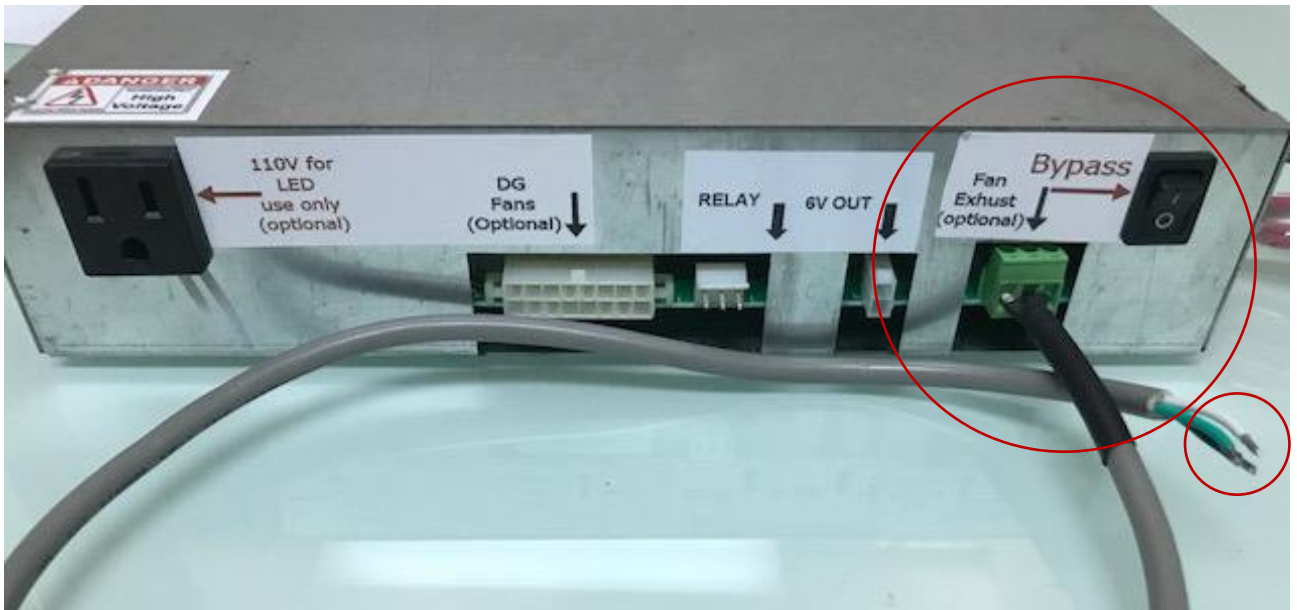
- The Flare inline PV system will require a separate 15A power outlet installed next to it. The electrical line to the PV must supply 120 Volts, 60 Hz, and 15 Amps (maximum draw). Dedicated circuit for the PV is recommended.



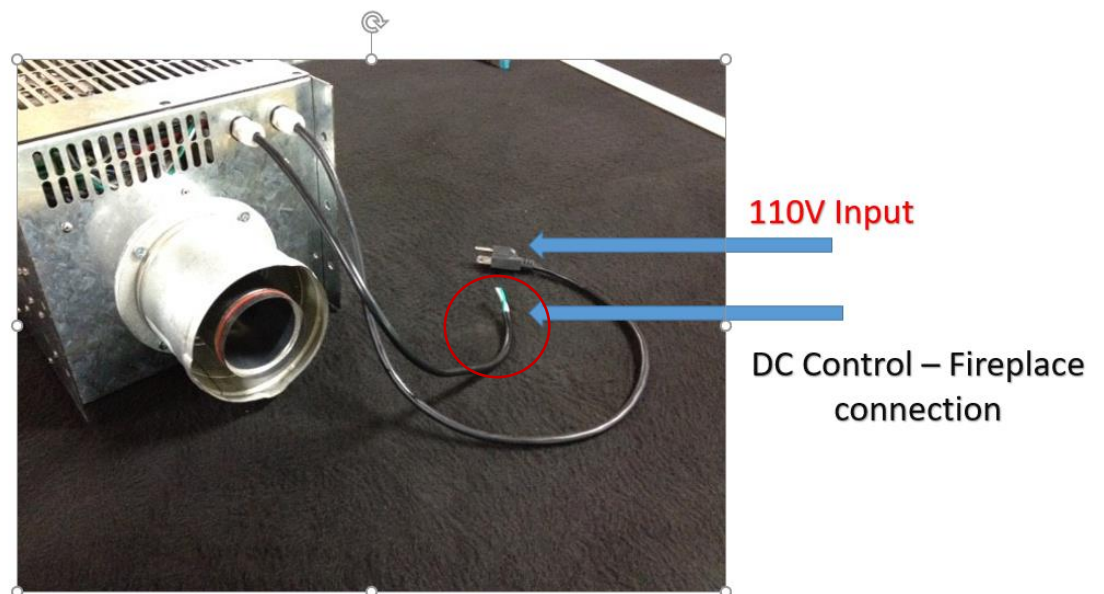
The appliance, when installed, must be electrically grounded in accordance with local codes or, in the absence of local codes, with the National Electrical Code, ANSI/NFPA 70, or the Canadian Electrical Code, CSA C22.1.

Electrical contril connection to the PV system

- The PV system is connected to the Fireplace control system with a low voltage (6V) 3 wire cable.
 - Cable to be used is 18 AWG-3 copper wire. Cable can be ordered from Flare or sourced from any hardware store (18 AWG 4 wire can also be installed , use only 3 wires).
 - Connect low voltage cable and match to colors on the terminal between the PV harness .(White to White, Black to Black & Green to Green)
 - Fans and sensors on the main board are optional and will be included on double glass systems.



Fireplace board example above



PV electrical connection and 3 wire cable

venting

To calculate the vent runs use the following tables and instructions . Please note that power vent runs are model(burner) specific . Use the tables below to calculate the restrictor setting.

- A minimum length of venting is required between the appliance . Do not install power vent system if the minimum length is below 12ft.

Minimum Run when using power vent – 12 ft (physical length not calculated)

90 Degree elbow = 6 Ft

45 Dgree elbow = 3 Ft

Vent termination = 3 Ft

Flare-25 (Flare-FF,Flare-RC,Flare-LC,Flare-DC,Flare-RD)

Run Length	Restrictor Setting	Burner Type	Unit Type
12--28	5	A	FlareH 25
28--40	4	A	FlareH 25
40--52	4	A	FlareH 25
52--64	3	A	FlareH 25
64--76	3	A	FlareH 25
76--88	2	A	FlareH 25
88--100	2	A	FlareH 25

Flare-30 (Flare-FF,Flare-RC,Flare-LC,Flare-DC,Flare-RD)

Run Length	Restrictor Setting	Burner Type	Unit Type
12--28	5	B	FlareH 30
28--40	4	B	FlareH 30
40--52	3	B	FlareH 30
52--64	3	B	FlareH 30
64--76	3	B	FlareH 30
76--88	2	B	FlareH 30
88--100	2	B	FlareH 30

Flare-45 (Flare-FF,Flare-RC,Flare-LC,Flare-DC,Flare-RD)

Run Length	Restrictor Setting	Burner Type	Unit Type
12--28	5	C	FlareH 45
28--40	4	C	FlareH 45
40--52	3	C	FlareH 45
52--64	3	C	FlareH 45
64--76	3	C	FlareH 45
76--88	2	C	FlareH 45
88--100	2	C	FlareH 45

Flare-50 (Flare-FF,Flare-RC,Flare-LC,Flare-DC,Flare-RD)

Run Length	Restrictor Setting	Burner Type	Unit Type
12--28	4	D	FlareH 50
28--40	4	D	FlareH 50
40--52	3	D	FlareH 50
52--64	3	D	FlareH 50
64--76	3	D	FlareH 50
76--88	2	D	FlareH 50
88--100	2	D	FlareH 50

Flare-60 (Flare-FF,Flare-RC,Flare-LC,Flare-DC,Flare-RD)

Run Length	Restrictor Setting	Burner Type	Unit Type
12--28	4	E	FlareH 60
28--40	4	E	FlareH 60
40--52	4	E	FlareH 60
52--64	3	E	FlareH 60
64--76	3	E	FlareH 60
76--88	2	E	FlareH 60
88--100	1	E	FlareH 60

Flare-70 (Flare-FF,Flare-RC,Flare-LC,Flare-DC,Flare-RD)

Run Length	Restrictor Setting	Burner Type	Unit Type
12--28	4	F	FlareH 70
28--40	4	F	FlareH 70
40--52	3	F	FlareH 70
52--64	3	F	FlareH 70
64--76	2	F	FlareH 70
76--88	1	F	FlareH 70
88--100	1	F	FlareH 70

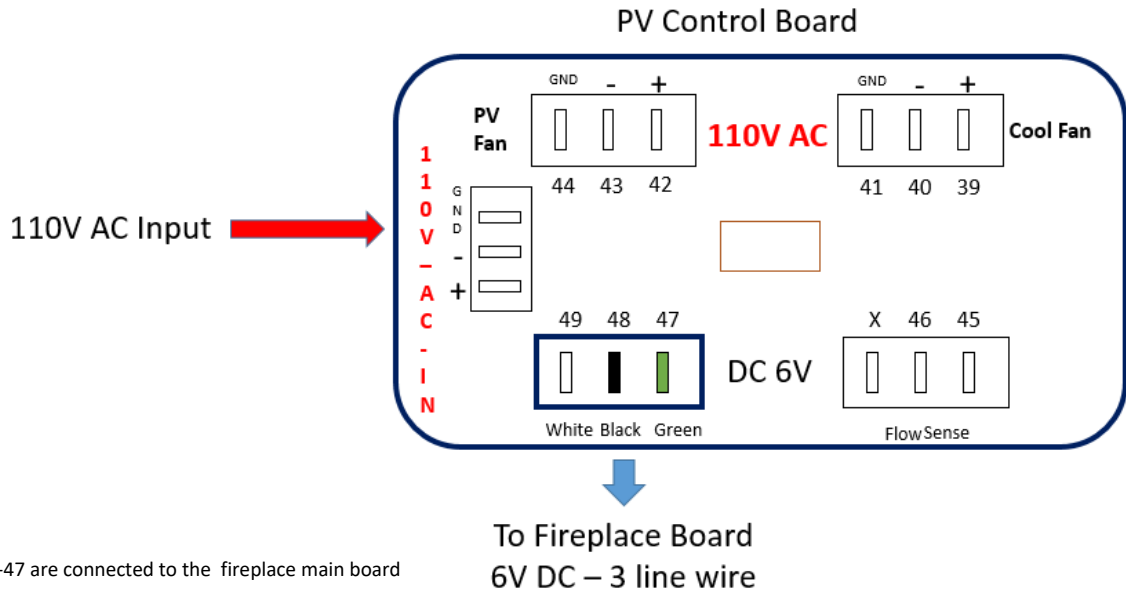
Flare-80 (Flare-FF,Flare-RC,Flare-LC,Flare-DC,Flare-RD)

Run Length	Restrictor Setting	Burner Type	Unit Type
12--28	4	G	FlareH 80
28--40	4	G	FlareH 80
40--52	3	G	FlareH 80
52--64	3	G	FlareH 80
64--76	2	G	FlareH 80
76--88	1	G	FlareH 80
88--100	1	G	FlareH 80

Flare-100 (Flare-FF,Flare-RC,Flare-LC,Flare-DC,Flare-RD)

Run Length	Restrictor Setting	Burner Type	Unit Type
12--28	3	H	Flare 100
28--40	3	H	Flare 100
40--52	2	H	Flare 100
52--64	1	H	Flare 100
64--76	1	H	Flare 100
76--88	1	H	Flare 100
88--100	1	H	Flare 100

ELECTRIC DIAGRAM – PV SYSTEM



REPLACEMENT PARTS

See below for flare replacement part list.

- Please contact your fireplace dealer in order to purchase any replacement part.
- Please make sure to provide the description and part number.
- Please make sure to use a certified installer for any service related to your fireplace.

Part Number	Part Name
2701671	Power Vent unit #20
2701672	Power Vent unit #20
2701673	Flow Fan size 1
2701674	Flow Fan size 2
2701675	INJECTOR LPG
2701676	INJECTOR NG
2701677	THERMOCOUPLE
2701678	PILOT
2701679	SPARK PLUG
2701680	PILOT GASKET
2701681	PILOT GAS CABLE
2701682	TC CONNECTOR
2701683	OLIVE D.4
2701684	NUT FOR OLIVE D.4
8108684	Gas Combination Control GV60
8108685	4mm Fitting
8108686	<u>Thermocurrent Interrupter</u>
8108687	Plug, 3/8"
8108688	Cable Interrupter-Receiver
8108689	Ignition cable 1.5m
8108690	Solenoid Valve
8108691	Wall Switch
8108692	110V Adapter
8108693	8-wire Cable, 500mm
8108694	Receiver
8108695	<u>Handset, Thermostat, 6-button</u>
8108696	<u>Handset, Thermostat, 8-button</u>

Part Number	Part Name
8108697	Switch with cable
8108698	Battery Holder
8108699	Limit switch
8108700	Gas connector 60"
8108701	Gas connector 36"
8108702	4x6 vent adapter
8108703	5x8 vent adapter
8108702	3x5 vent adapter
8108701	Burner A
8108700	Burner B
8108699	Burner C
8108698	Burner D
8108697	Burner E
8108696	Burner F
8108695	Burner G

WARNING!

- It is recommended that a qualified service technician perform a routine inspection at the beginning of each heating season.
- Disconnect power before attempting maintenance or repair of the fireplace.
- Installation and maintenance must be performed by an authorized qualified installer, service agency or gas supplier.
- Any safety screen or guard removed for servicing placed back before operating this appliance.
- DO NOT USE this appliance if any part has been under water. Immediately call a qualified service technician to inspect the unit and to replace any part of the control system and any gas valve that has been under water or impacted.
- Any alteration to the product that causes soot or carbon to form and results in damage is not the responsibility of the manufacturer.
- Do not modify or substitute any part of this appliance.
- Inspect the external vent cap on a regular basis to make sure that no debris, plants, trees, or shrubs are interfering with the air flow.
- Do not operate the fireplace without the fireplace glass.
- It is imperative that control compartments, screens, or fans system for double glass be kept clean and free of obstructions. These areas provide the air necessary for safe operation.
- Light the heater using the built-in igniter. Do not use matches or any other external device to light your heater.
- Never remove, replace, modify or substitute any part of the heater unless instructions are given in this manual. All other work must be done by a trained technician. Don't modify or replace orifices.

Yearly Service

Failure to inspect and maintain the fireplace may lead to improper combustion and a potentially dangerous situation. We recommend the following procedures be done by a qualified technician.

Glass Maintenance

- Always use suction cups to remove the fireplace glass. Use the manual procedure for instruction on how to remove the fireplace glass. Always use gloves when removing the glass to protect your hand and prevent finger prints on the glass.
- DO NOT USE abrasive cleaners on the glass panels. DO NOT ATTEMPT to clean the glass panels when they are hot.
- Do not use normal household (usually ammonia-based) glass cleaners to clean the glass as these cleaners can leave a permanent stain. Only a gas fireplace glass cleaner should be used.
- Verify no cracks or breakage in the glass.
- Place glass in a safe location to prevent breakage.
- Never attempt to operate the fireplace without the fireplace glass.

Pilot Maintenance

- Visually inspect the pilot flame. The pilot flame should be always present when the fireplace is in operation.
- Make sure the pilot flame has two flame tips pointing to the flame sensor (thermocouple) and to the center of the burner.
- Make sure the pilot area is clean from any dust, media or any other debris that may disrupt the operation of the ignition system. Lint or foreign material must be removed with a brush or vacuum.
- Verify fireplace ignition using the remote or wall switch. Verify electronic ignition, sparking sequence, pilot operation and burner ignition.

Burner Maintenance

- The flames from the burner should be visually checked. The flame should have a blue base and yellow tops and be candle-like in appearance.
- If excessive sooting is found inside the firebox area, the fireplace will require adjustment. Verify the air shutter and vent restrictor setting and document any changes.
- If the flame becomes sooty, dark orange in color, or extremely tall, do not operate the heater.
- Measure gas pressure. Inlet _____ W.C., Outlet _____ W.C.

Vent Maintenance

The following venting system inspection by a qualified service technician is recommended every six months:

- Inspect for excessive condensation, e.g. water droplets forming in the inner lining and subsequently dripping out of the joints. This can cause corrosion in the system.
- Check for corrosion in areas exposed to the elements. Where rust spots or holes have appeared, these must be immediately replaced.
- Ensure that there is no foreign material in the vents. Survey by removing the cap and shining a light down the vent.
- Check all joints and pipes to make sure that nothing has been disturbed or loosened.

Double Glass Fans

- Disconnect power to the Flare control system.
- Remove the external glass and the covering trim.
- Inspect the fans around the Flare firebox and make sure they are all turning.
- Clean all fans with a brush and vacuum to remove any dust or debris.
- Inspect the lower fireplace intake. Clean the lower vent intake with a brush and vacuum any dust or debris.
- Connect back the Flare control power and press the Flare remote arrow down. Make sure all fans are working properly.
- Turn off the fans and install back the trim and glass.

APPENDIX

MAINTENANCE LOG

Flare Fireplaces – Maintenance log

Following document should be used by the service technician. A copy should be kept with the technician and owner for future reference

Service Date: _____

Unit Information

Model Type and Size: _____

Serial #: _____

Owner Information

Name: _____

Address _____

Technician Information

Name: _____

Company Name _____

Technician NPI # _____

Service Information

Yearly Maintenance: _____

Other: _____

Details: _____

WARRENTY POLICY

Flare Fireplaces are taking extreme measurements to assure all products are tested and verified and are free from defects prior to leaving our warehouse.

Our Factory is subject to high quality standard and is under the supervision of the CSA organization.

Flare Fireplaces Warranty information:

- 1 year Limited Warranty on the gas valve, remote, pilot burner assembly, electric components and fan motors, interior decorative media.
- 5 Year Limited Warranty for Ceramic glass (thermal breakage only)
- 10-year Limited warranty on the firebox and burners

Flare warranty shall be effective only if the original purchaser of the fireplace appliance is registered with Flare Fireplaces within thirty days of the date of purchase.

Minor warping of certain parts or discoloration is normal and is not considered a defect that is covered by this warranty. Major disruption and buckling of parts can be caused by over-firing of your Fireplace. Over-firing above rated value specified in the manual is contrary to the manufacturer's instructions and may void this warranty.

All installations must be performed by a qualified technician in accordance with applicable local and national requirements.

Installations must be done in accordance with the appliance manual. The Limited Warranty applies only if the product is installed in the United States or Canada and only if installed, operated and maintained in accordance the attached product manual.

Warranty coverage begins on the date of original purchase.

It is the responsibility of the installer to ensure the appliance is firing as per the rating plate.

Any part that is found in our judgment to be defective shall be repaired, replaced or refunded at Flare Fireplaces option.

This warranty only covers Flare Fireplaces appliances that are purchased through a Flare Fireplace authorized dealer or distributor.

The warranty is only valid while the Flare Fireplace appliance remains at the site of original installation.

Contact your installing dealer for warranty service. If the installing dealer is unable to provide necessary parts, contact the nearest Flare Fireplaces authorized dealer or supplier.



All installations must be performed by a qualified technician in accordance with applicable local and national requirements.

Warranty coverage begins on the date of original purchase.

It is the responsibility of the installer to ensure the appliance is firing as per the rating plate.

Any part that is found in our judgment to be defective shall be repaired, replaced or refunded at Flare Fireplaces option.

This warranty only covers Flare Fireplaces appliances that are purchased through a Flare Fireplace authorized dealer or distributor.

The warranty is only valid while the Flare Fireplace appliance remains at the site of original installation.

Contact your installing dealer for warranty service. If the installing dealer is unable to provide necessary parts, contact the nearest Flare authorized dealer or supplier.

This warranty is void if:

Use of an unauthorized type of media in the firebox.

The appliance has been over-fired or operated in atmospheres contaminated by chlorine, fluorine, or other damaging chemicals. Over-firing can be identified by, but not limited to, warped plates or tubes, rust colored cast iron, bubbling, cracking and discoloration of steel or enamel finishes.

The appliance is subjected to prolonged periods of dampness or condensation.

There is any damage to the appliance or other components due to water or weather damage which is the result of, but not limited to, improper chimney or venting installation.

Holes have been drilled in to the fireplace for any reason.

Exclusions:

This warranty does not apply to any component that shows evidence of misuse, abuse, improper installation, accident or lack of maintenance.

Flare Fireplaces is not responsible for televisions, mantles, surrounds or finishing material around the fireplace.

Flare Fireplaces may at its discretion discharge all obligations by refunding the wholesale price of the defective part. The Limited Warranty covers only parts and labor as provided above. Flare Fireplaces will not be responsible for materials, components or construction, which are not manufactured or supplied by Flare Fireplaces or for the labor necessary to install, repair or remove such materials, components or construction.