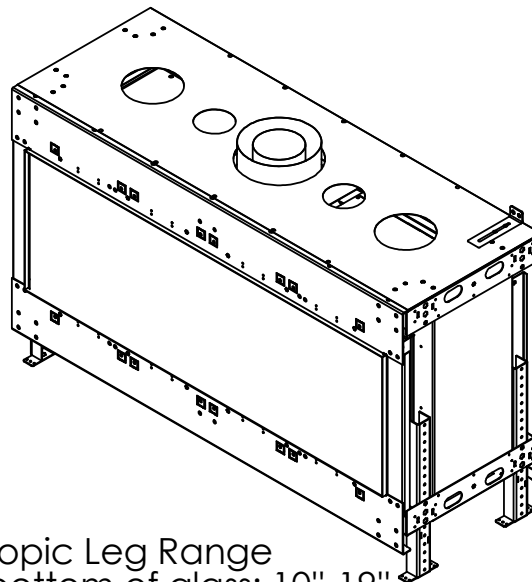
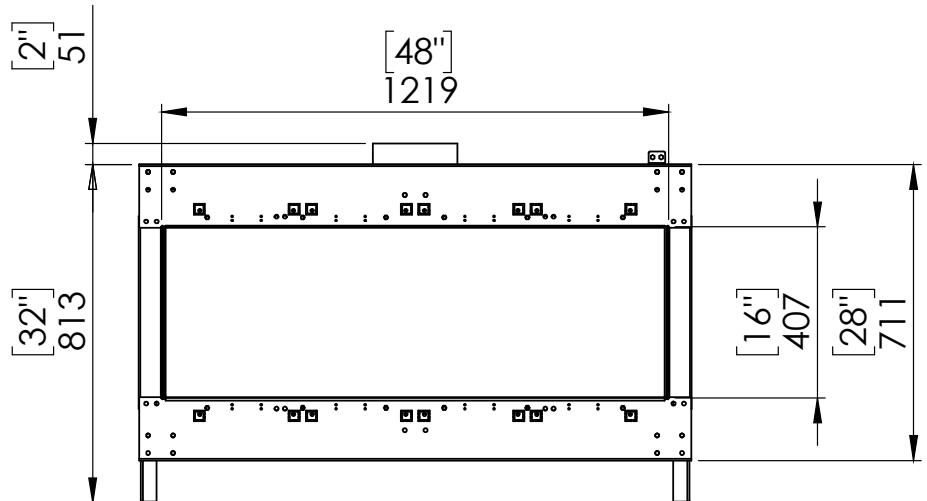
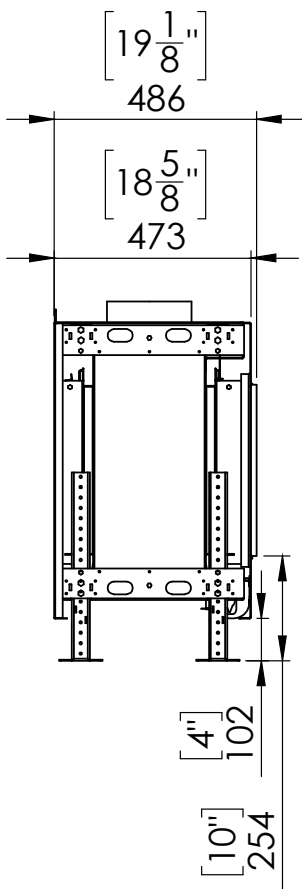
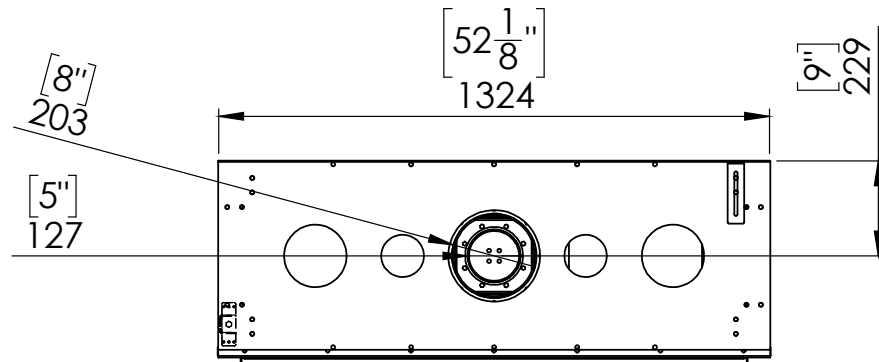
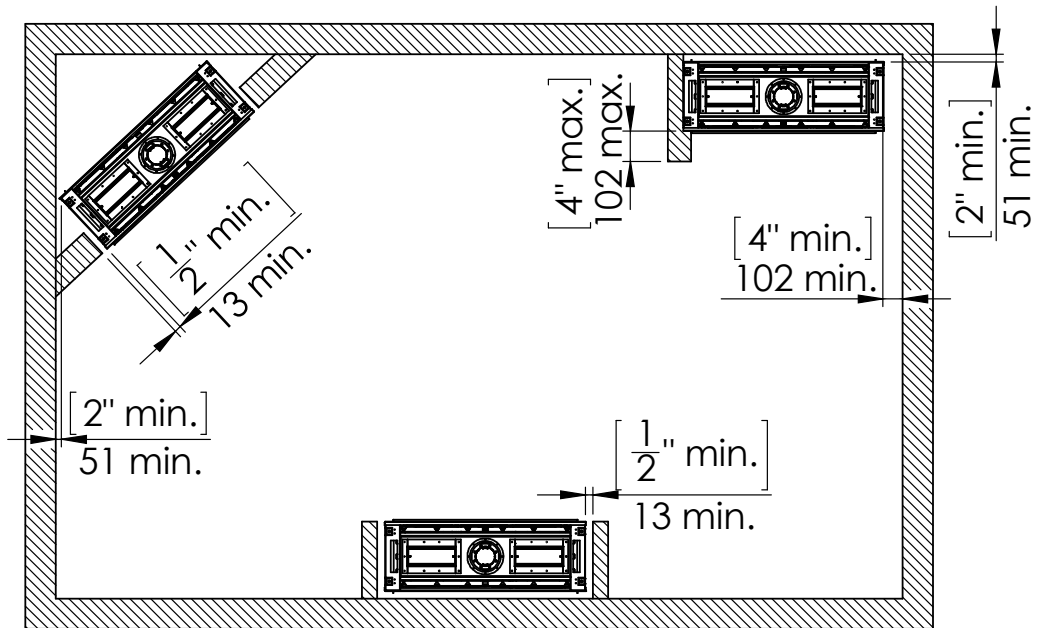


Flare Front 50 Commercial



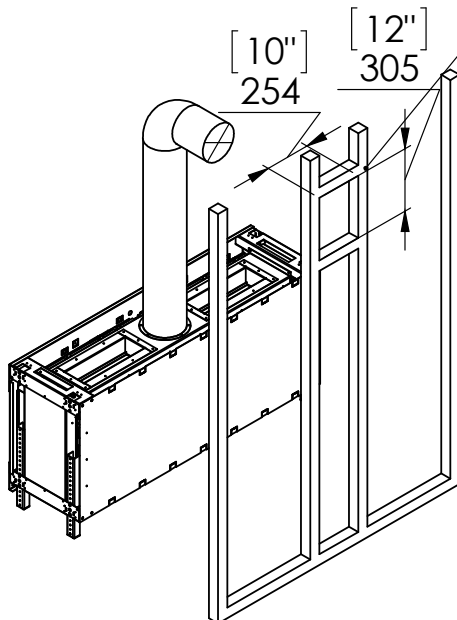
Telescopic Leg Range
From bottom of glass: 10"-19"



Chimney Installation

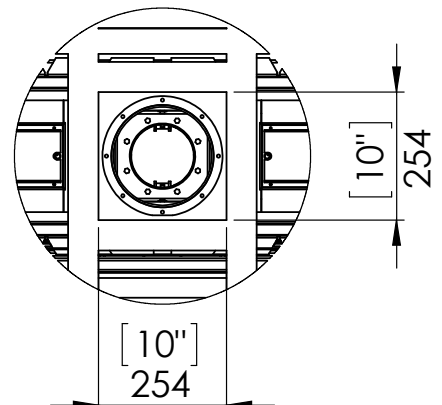
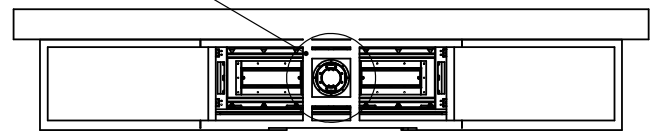
Horizontal Termination

For 5 x 8 vent size create 10" x 12" vent termination opening

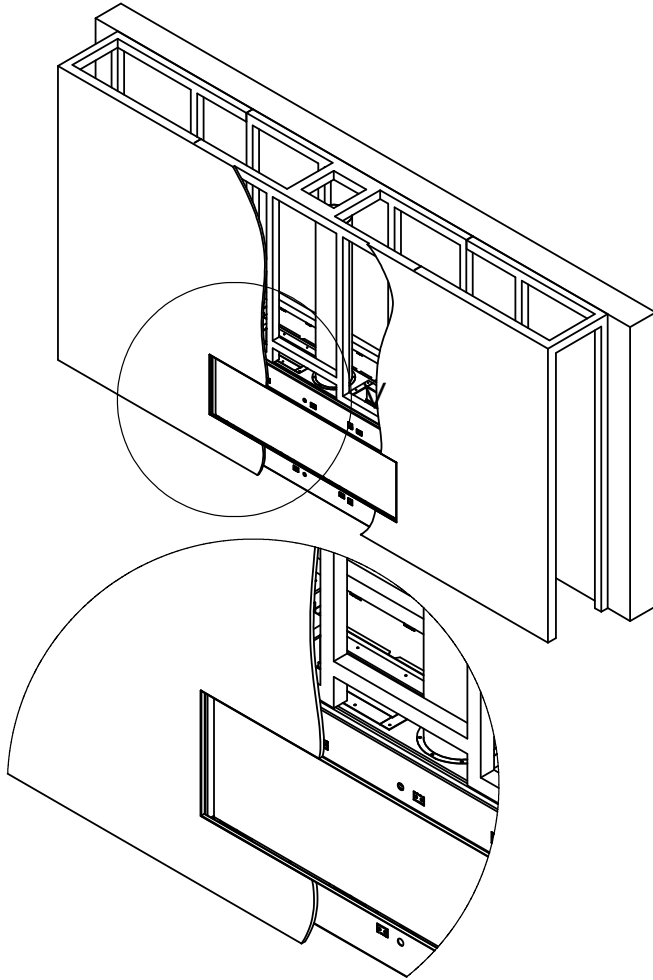


Vertical Termination

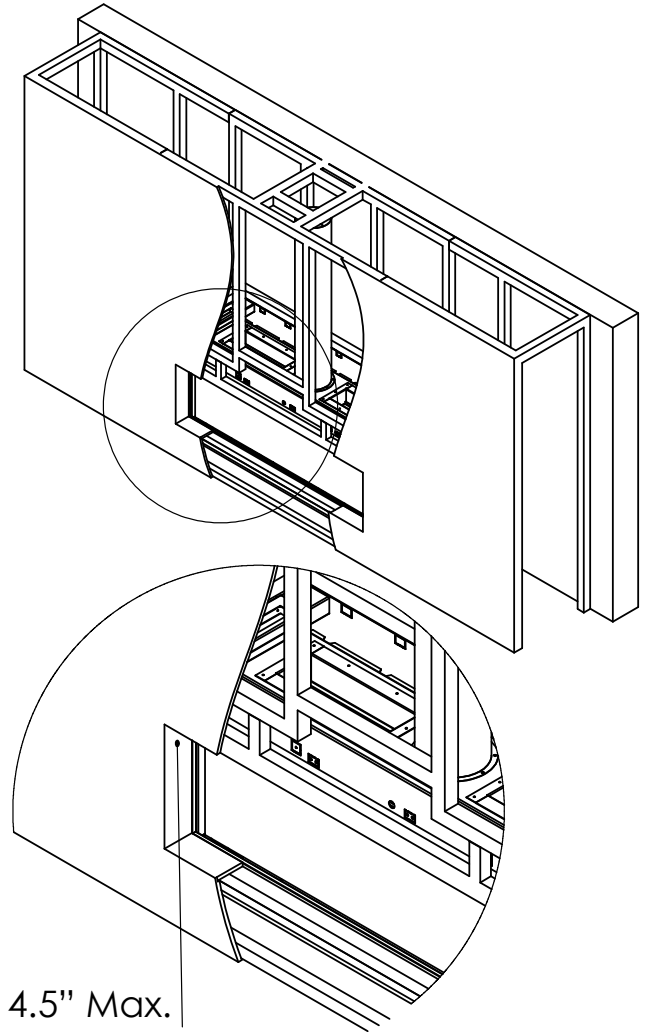
For 5 x 8 vent size create 10" x 10" vent termination opening



Flat Installation

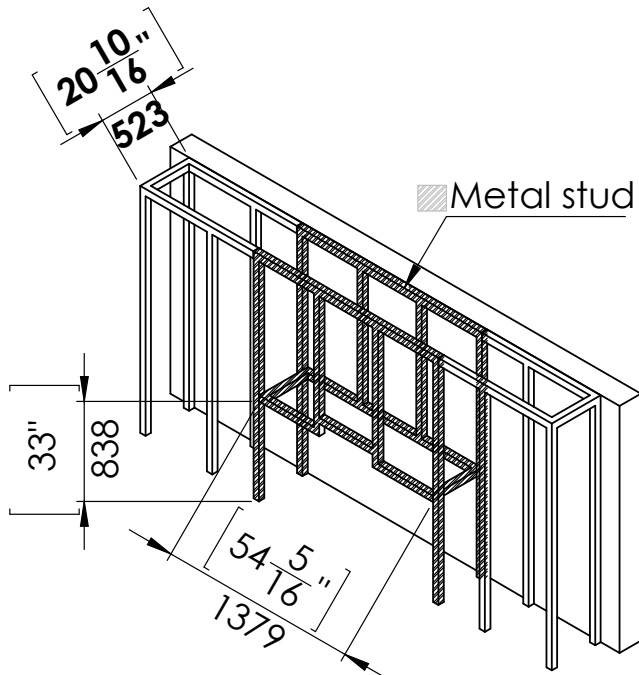


L Shape Installation

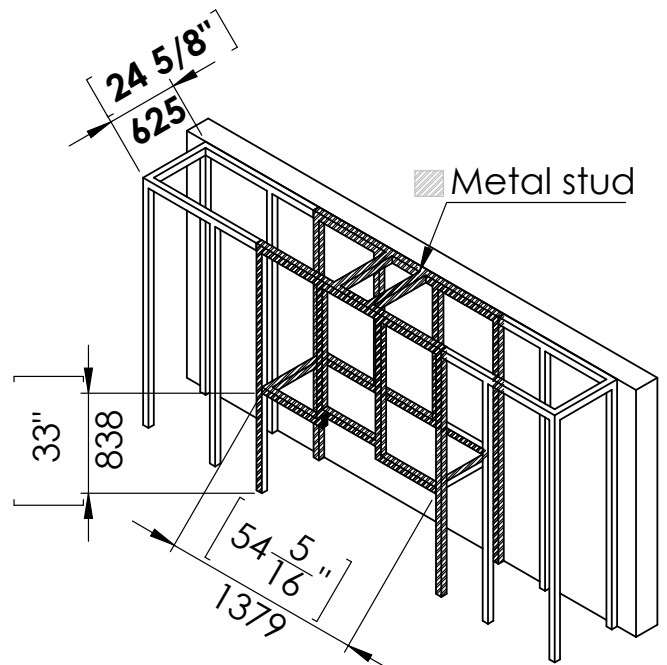


4.5" Max.
Top Of Recess

Step 1 - Basic Framing :

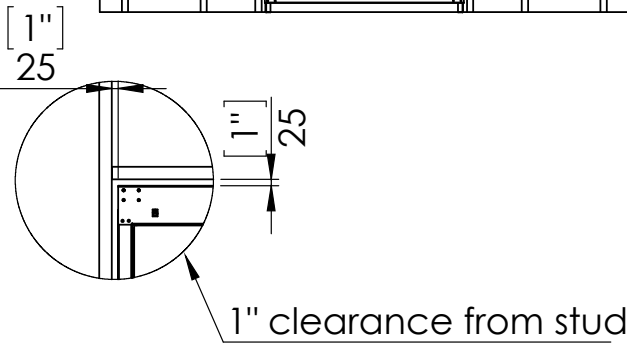
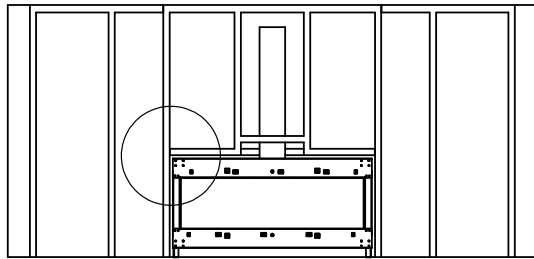
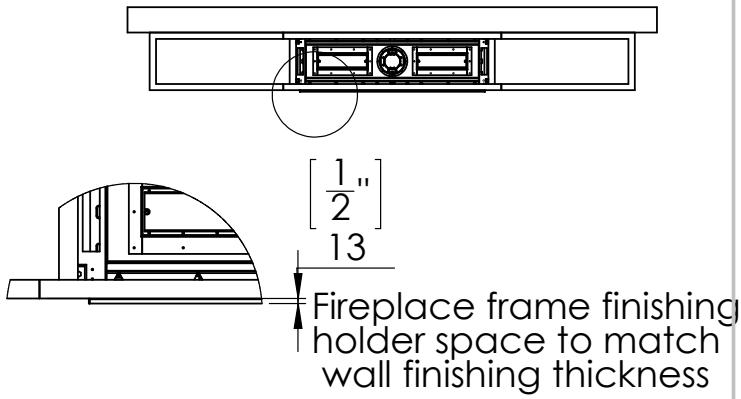


Step 1 - Basic Framing :

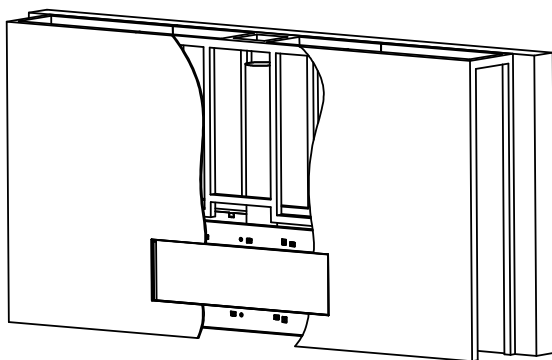


Flat Installation

Step 2 -Positioning the Fireplace:

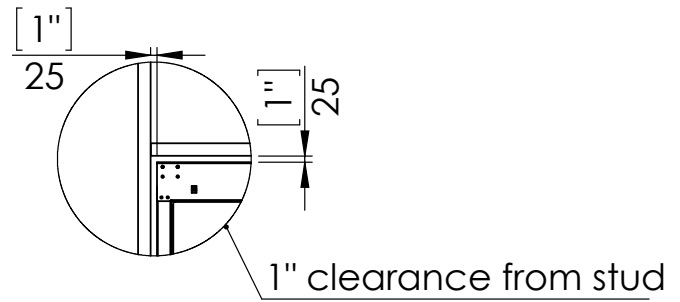
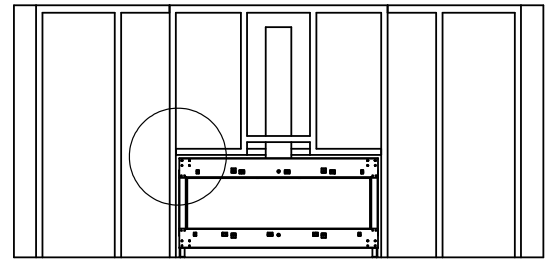
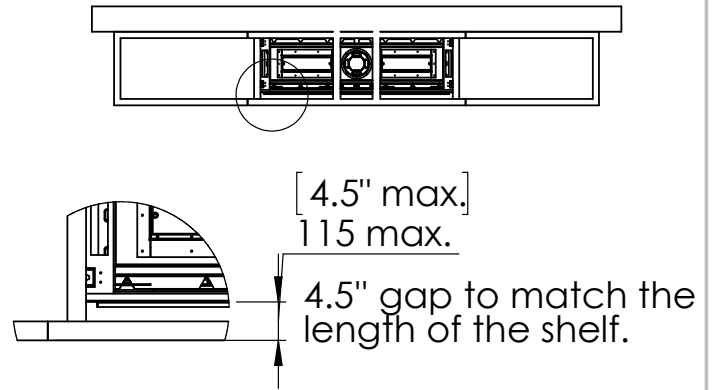


Last Step - Finishing The Fireplace Wall:

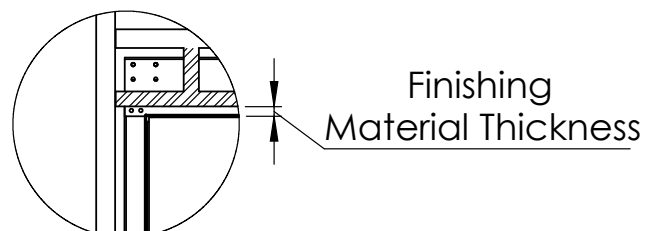
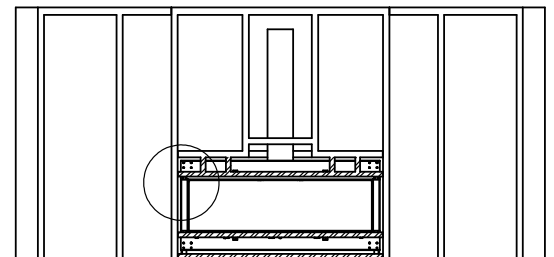


L Shape Installation

Step 2 -Positioning the Fireplace:

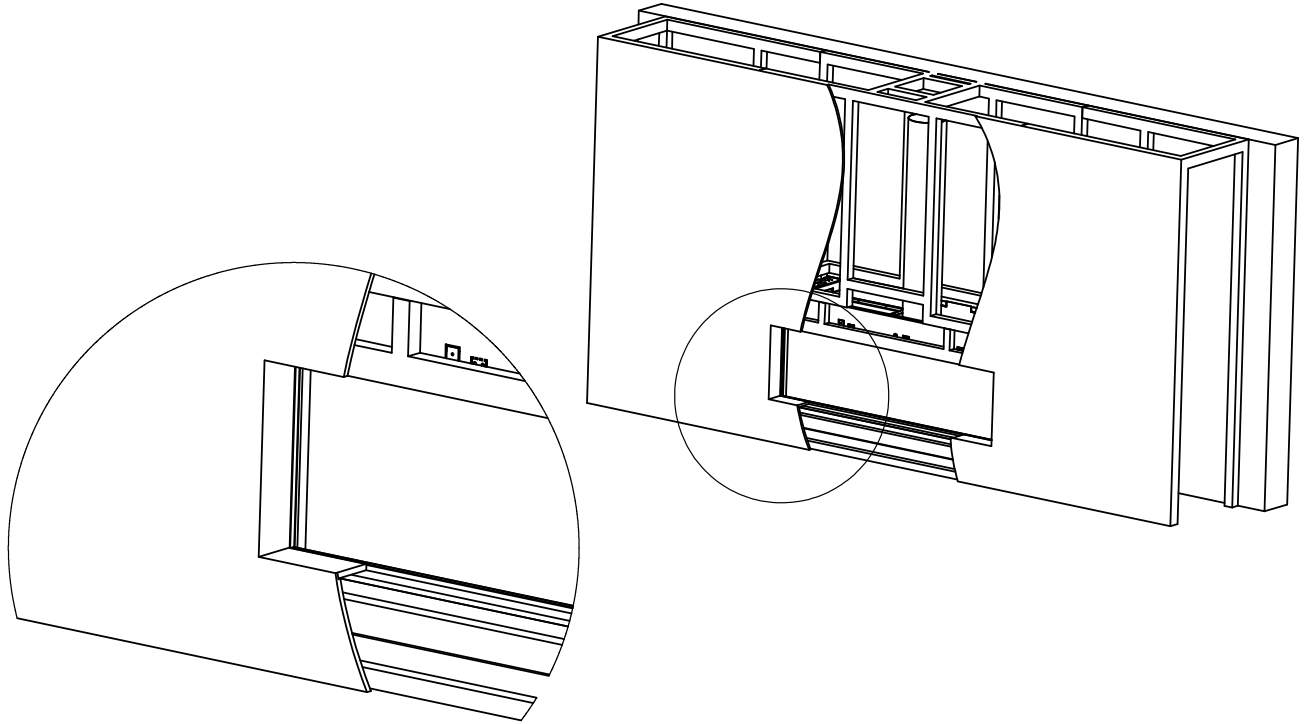


Step 3 - Framing Front Studs For L Shape:



L Shape Finishing Install

Last Step - Finishing The Fireplace Wall:



Specifications for Appliance Flare Front 50 Commercial

Factor	NG	LPG
Burner Type	105	105
Orifice	1200	320
BTU Max.	47000	35000
BTU min.	22750	18500
Kw/h	13.8k	10.2k
Chimney DIA.	5X8	5X8
Manifold Pressure[w.c]	Screen – 4.9 Double glass – 6.4	10.4
Efficiency rate	78	82
Glass Size Length\Width	1205 X 423 mm	47" 7/16 X 16" 11/16'
Appliance Weigh	120Kg	265lb