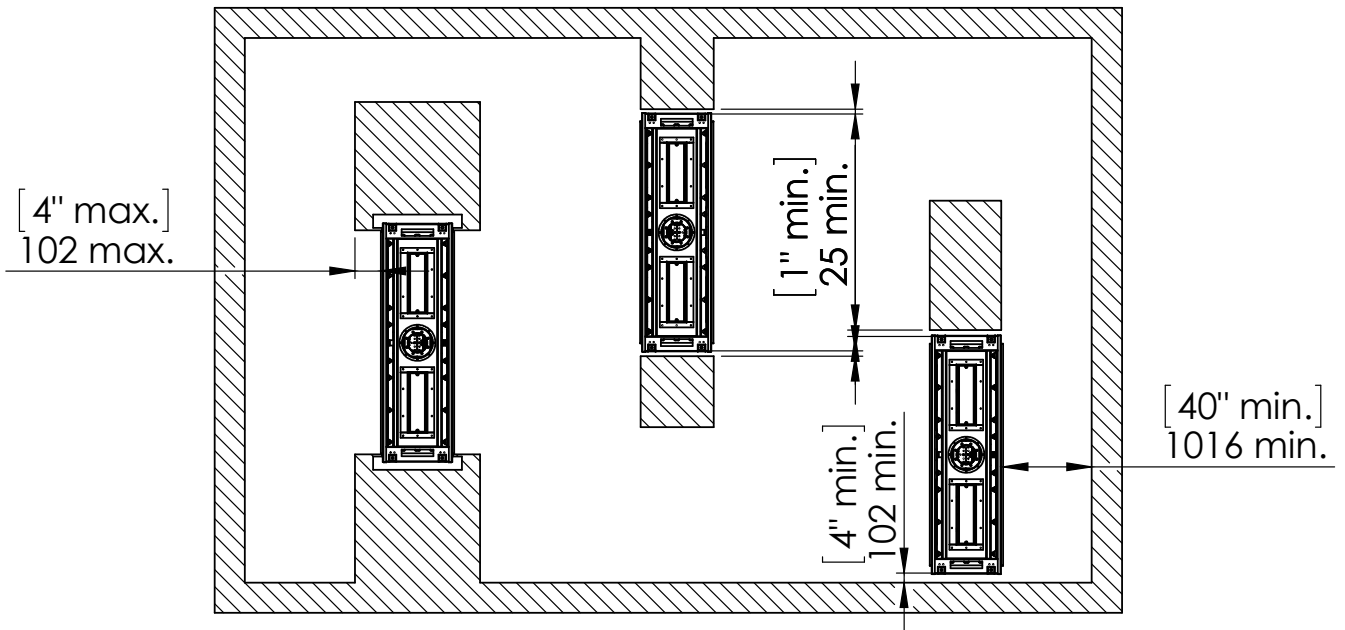


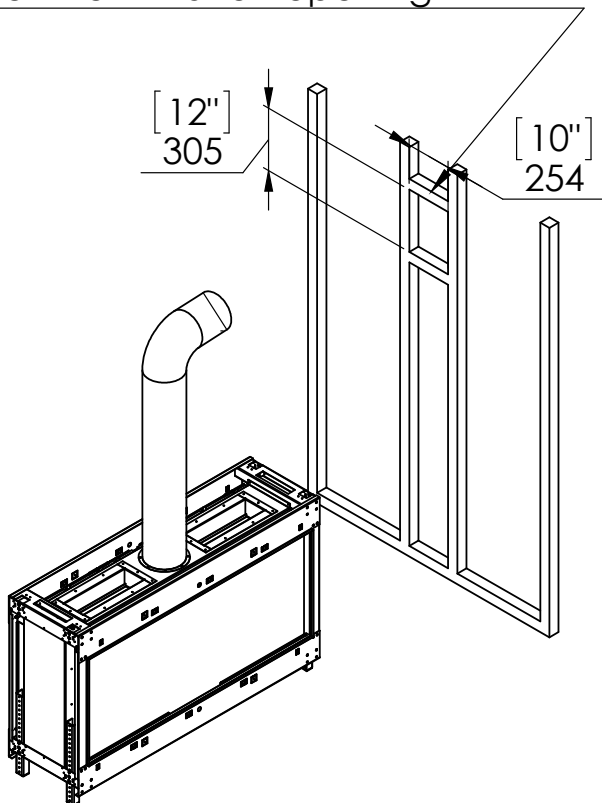
Telescopic Leg Range
From bottom of glass: 10"-19"



Chimney Installation

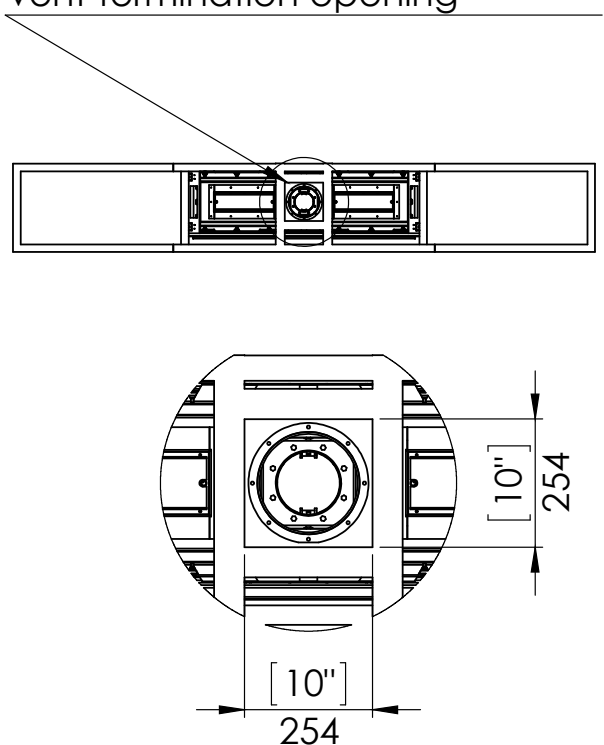
Horizontal Termination

For 5 x 8 vent size create 10" x 12" vent termination opening

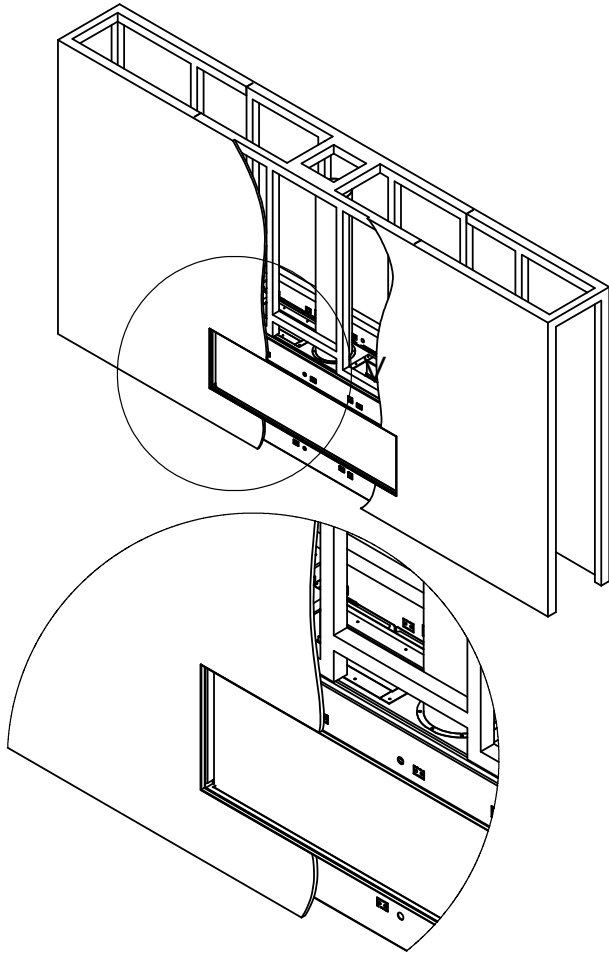


Vertical Termination

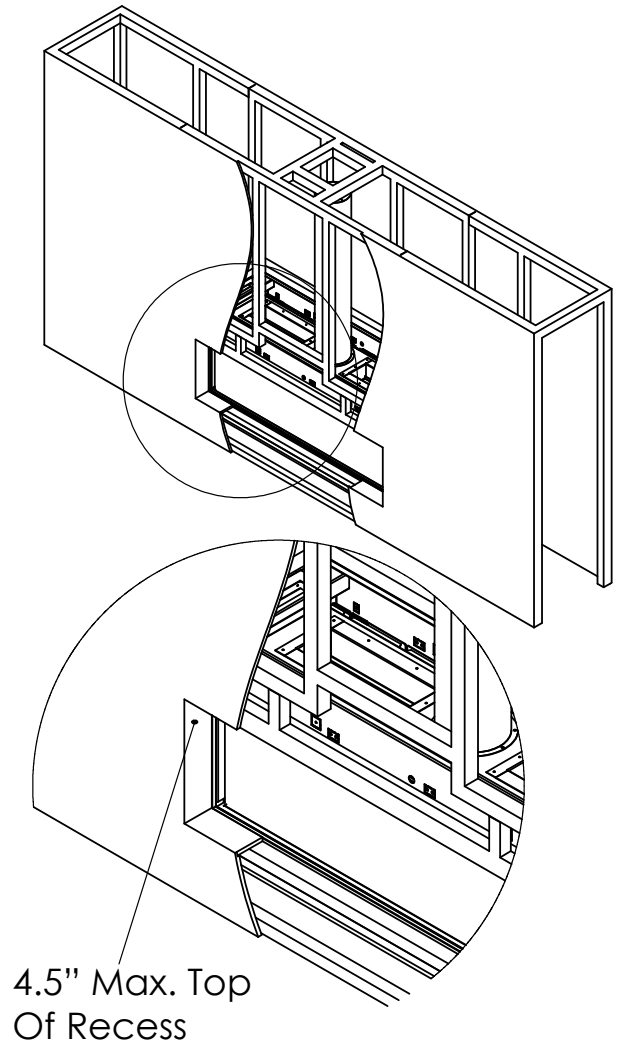
For 5 x 8 vent size create 10" x 10" vent termination opening



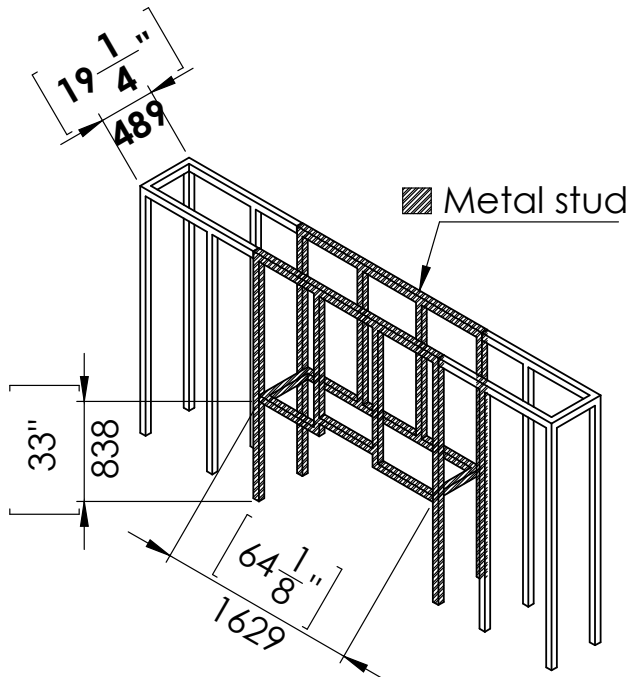
Flat Installation



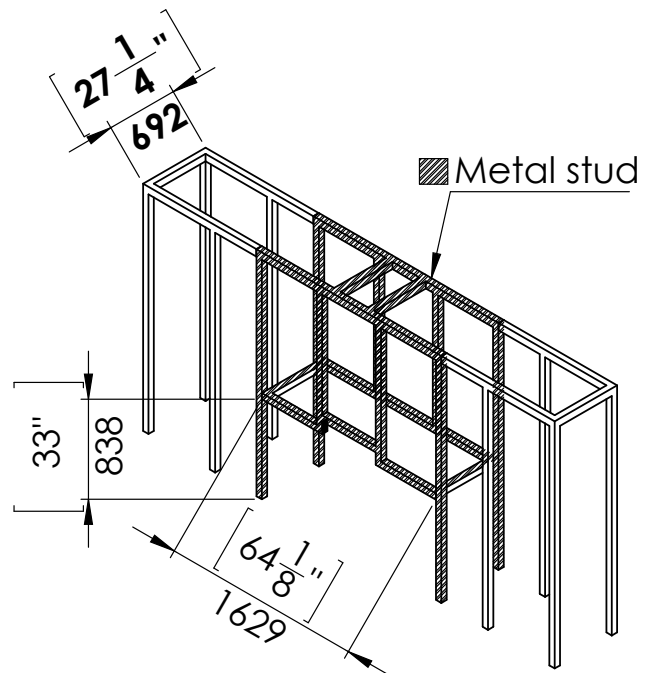
L Shape Installation



Step 1 - Basic Framing :

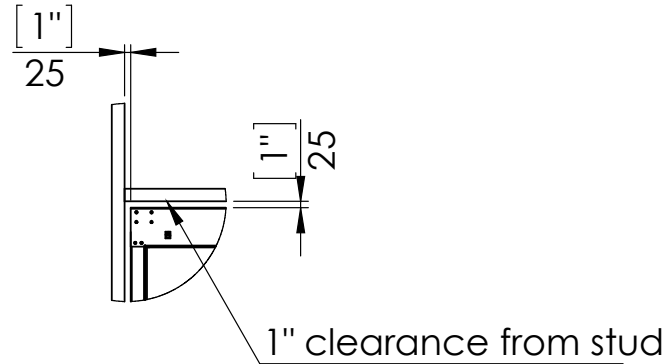
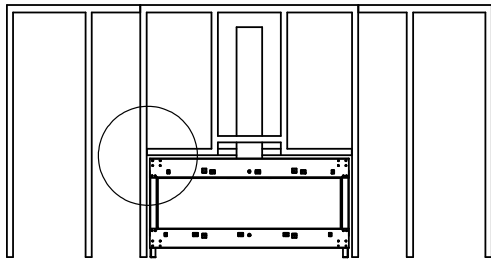
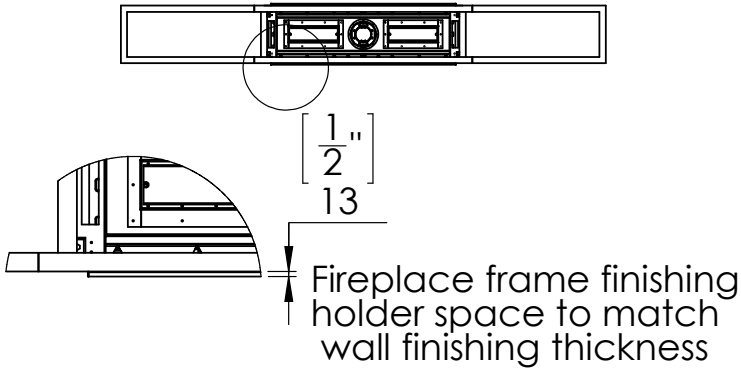


Step 1 - Basic Framing :

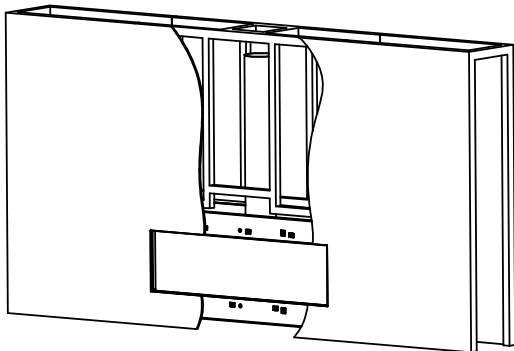


Flat Installation

Step 2 -Positioning the Fireplace:

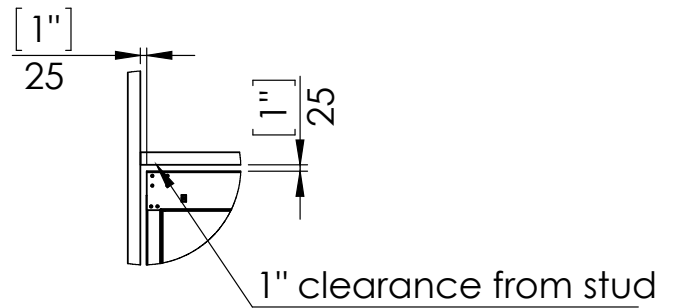
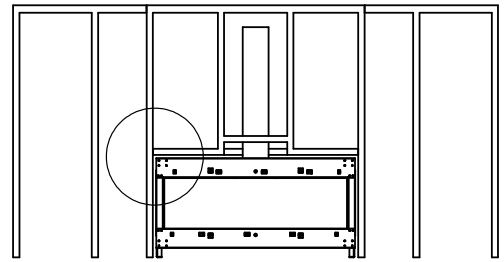
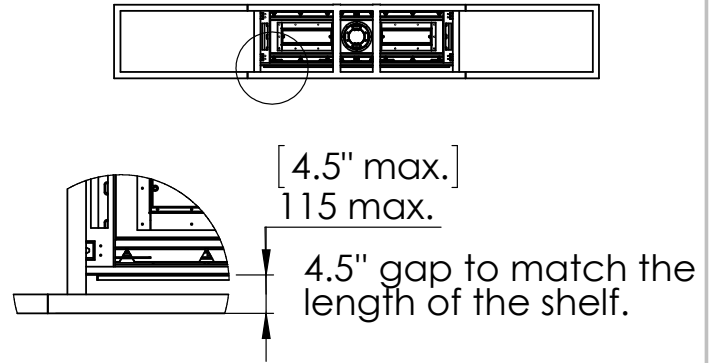


Last Step - Finishing The Fireplace Wall:

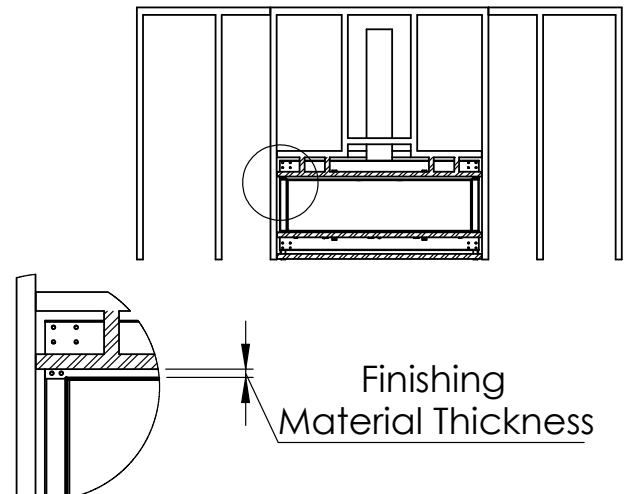


L Shape Installation

Step 2 -Positioning the Fireplace:

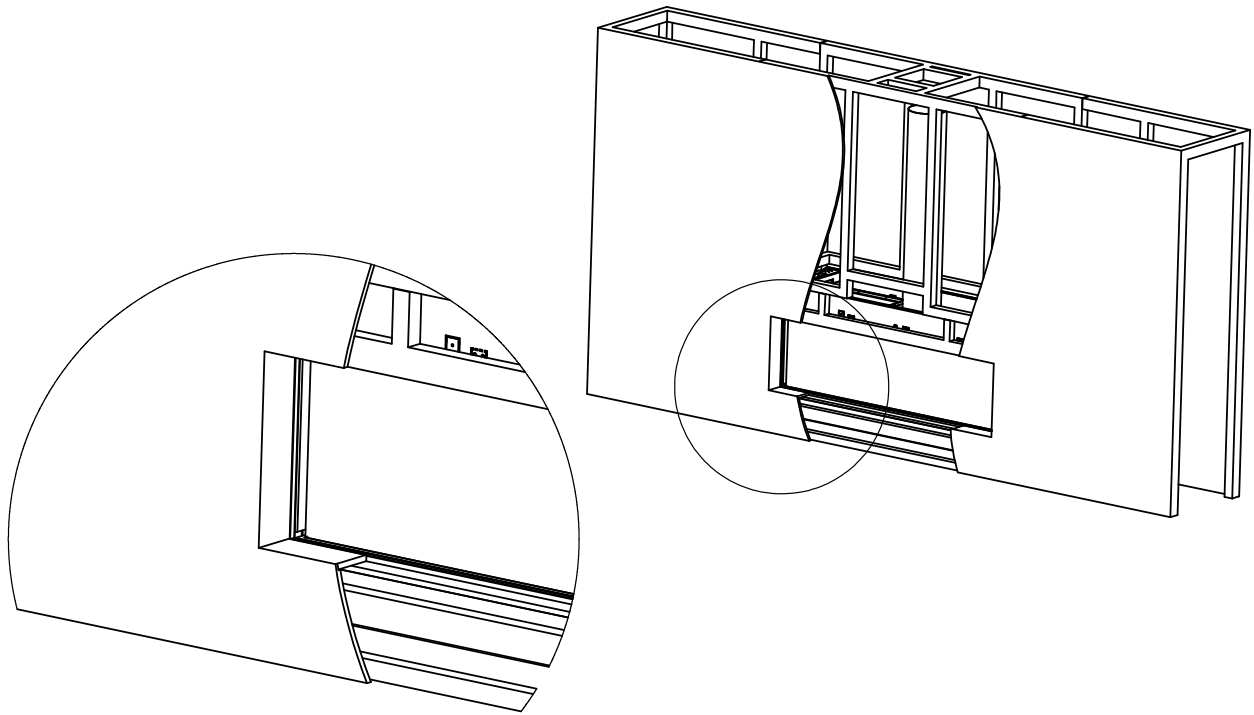


Step 3 - Framing Front Studs For L Shape:



L Shape Finishing Install

Last Step - Finishing The Fireplace Wall:



Specifications for Appliance Flare See Through 60 Commercial

Factor	NG	LPG
Burner Type	35,55,35	35,55,35
Orifice	500,800,500	160,220,160
BTU Max.	50000	41000
BTU min.	28000	20000
Kw/h	14.6k	10.2k
Chimney DIA.	5X8	5X8
Manifold Pressure[w.c]	Screen – 2.8 Double glass - 6	6.2
Efficiency rate	77	80
Glass Size Length\Width	1455 X 423 mm	57" 1/4 X 16" 11/16'
Appliance Weigh	175Kg	385lb