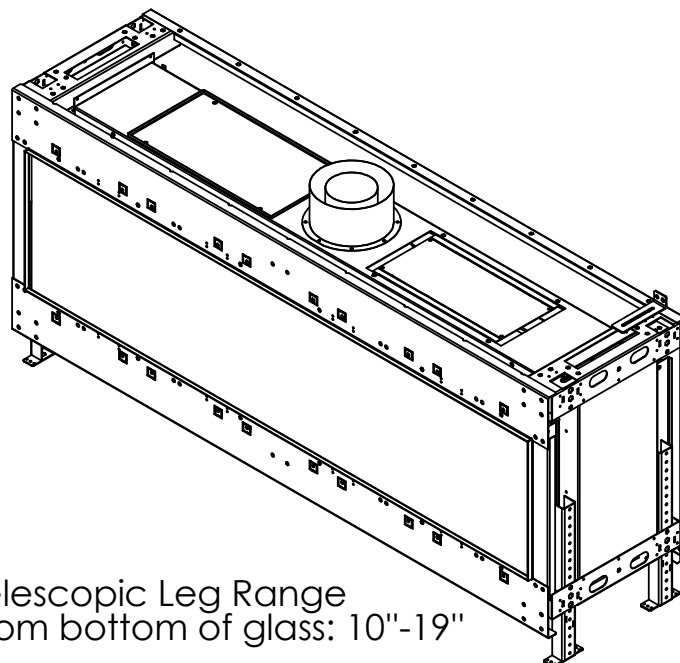
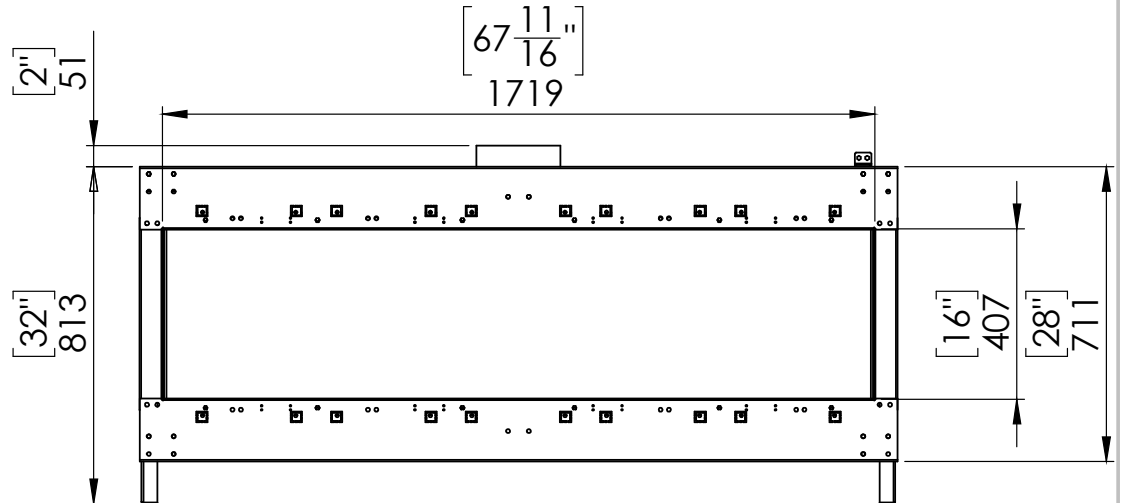
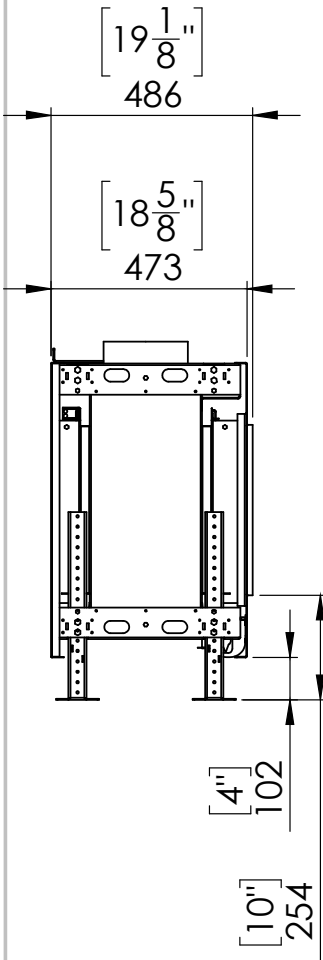
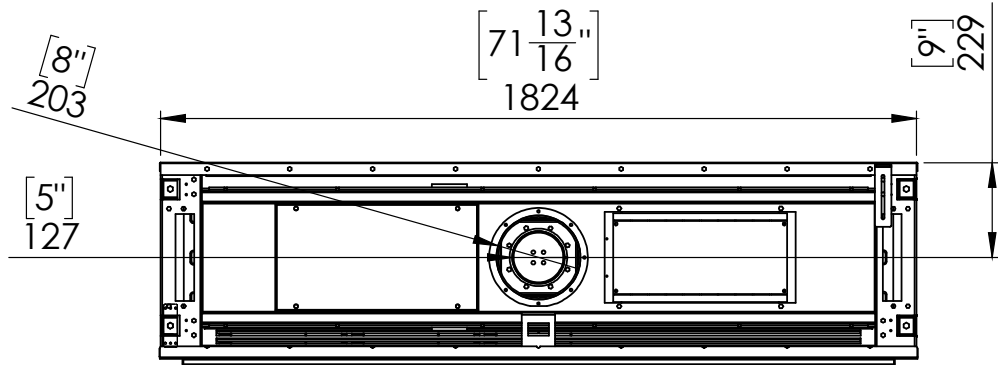
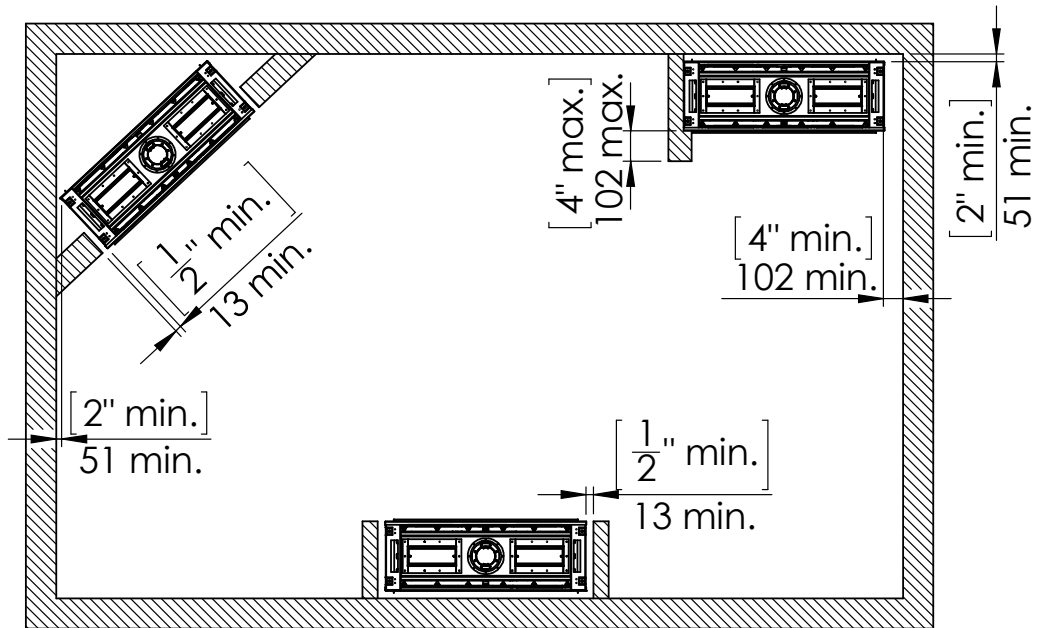


Flare Front 70 Commercial



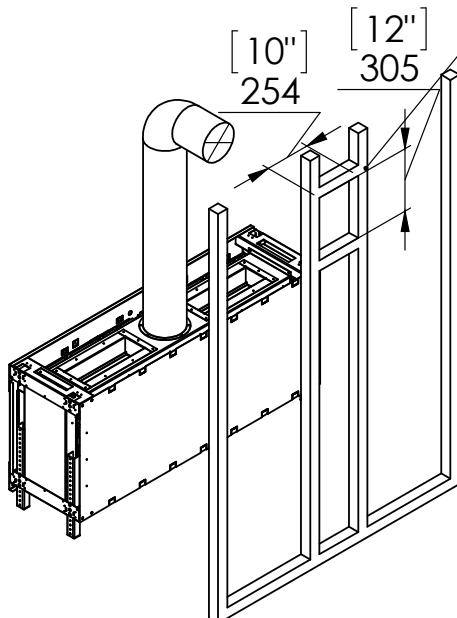
Telescopic Leg Range
From bottom of glass: 10"-19"



Chimney Installation

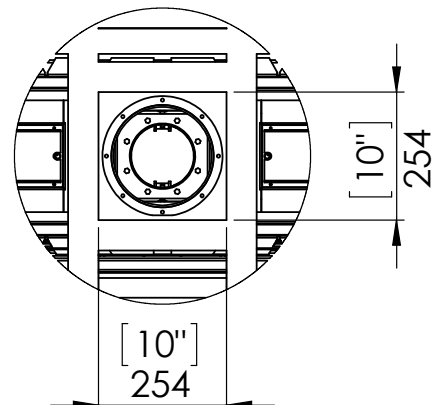
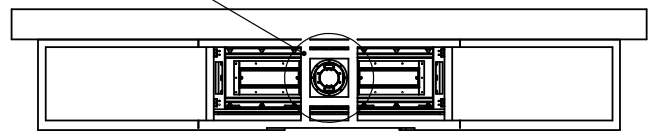
Horizontal Termination

For 5 x 8 vent size create 10" x 12" vent termination opening

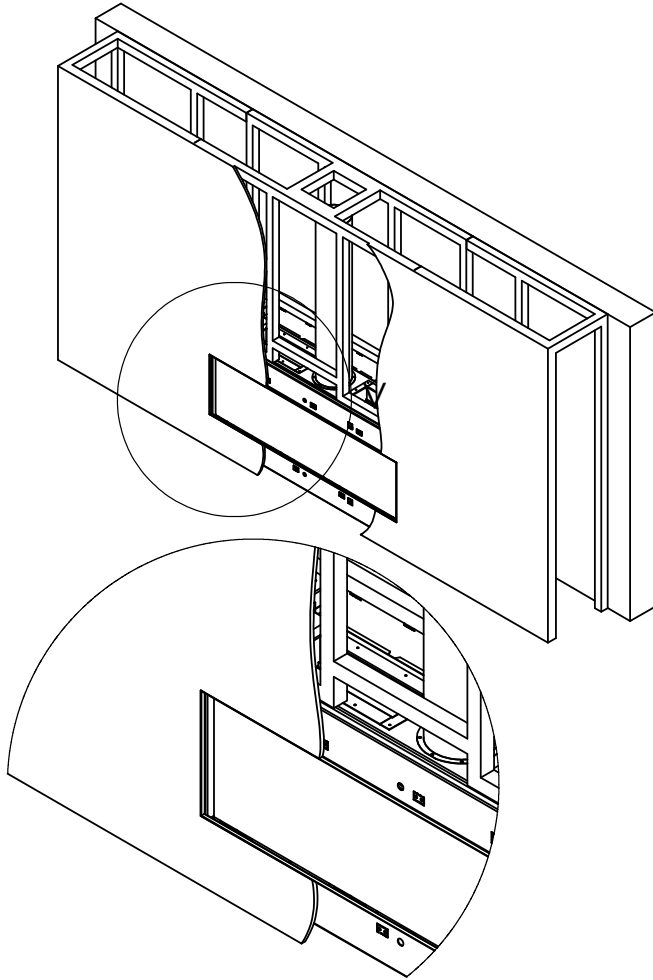


Vertical Termination

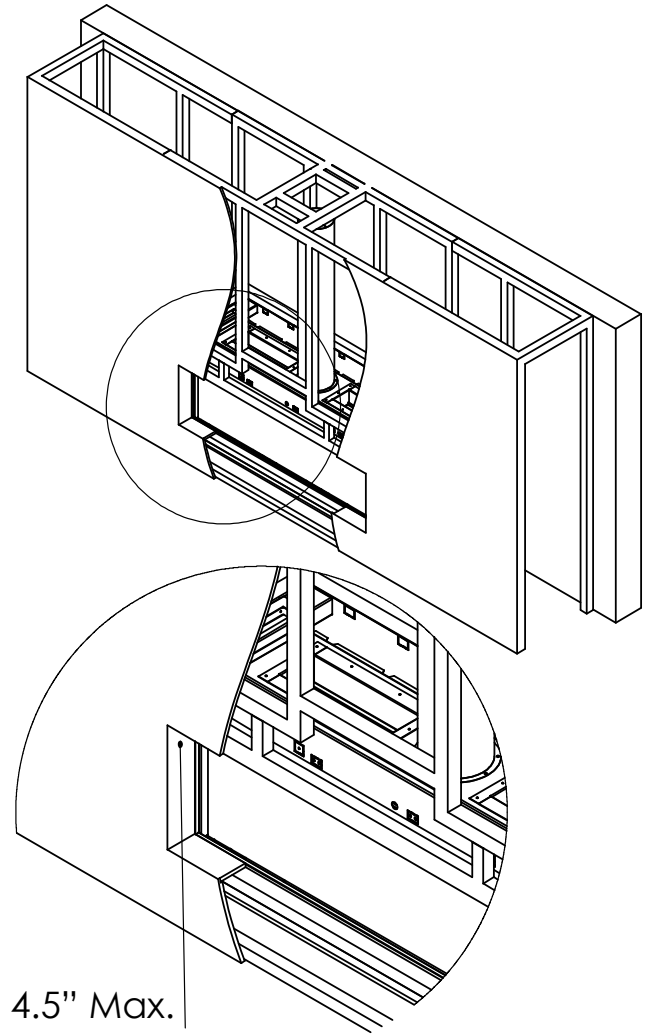
For 5 x 8 vent size create 10" x 10" vent termination opening



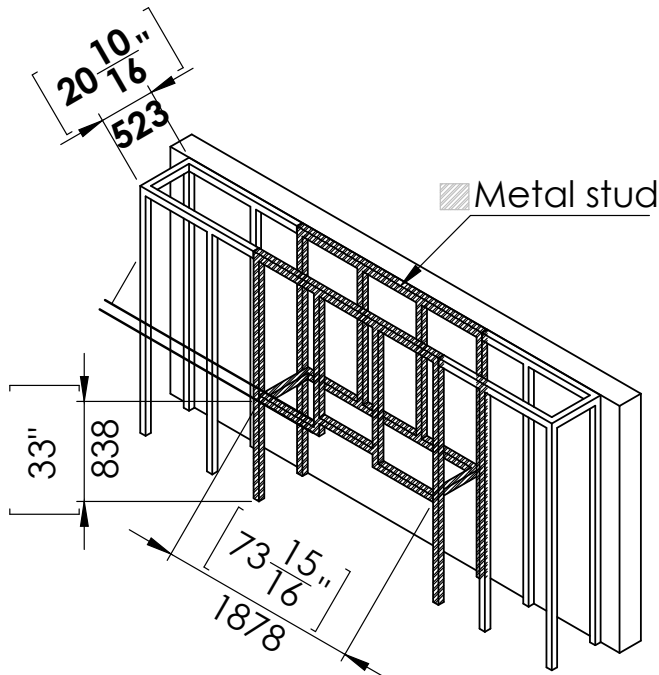
Flat Installation



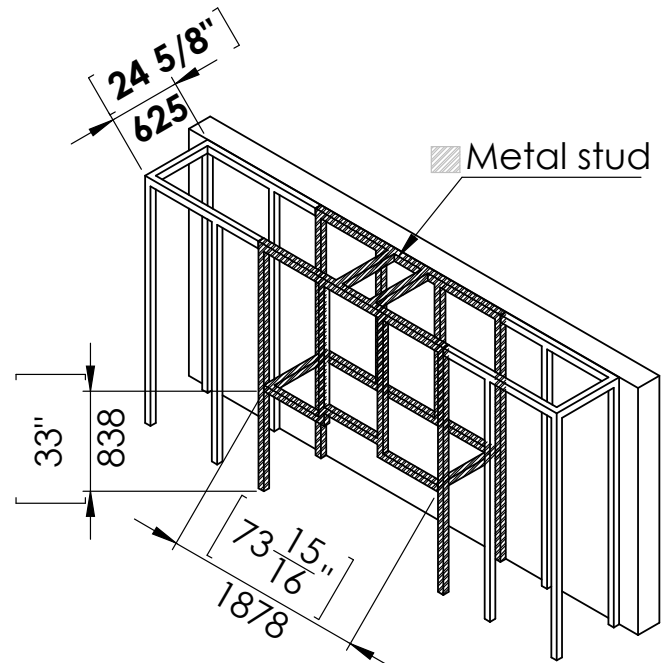
L Shape Installation



Step 1 - Basic Framing :

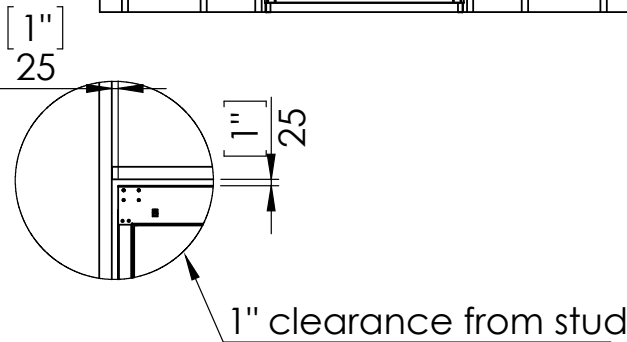
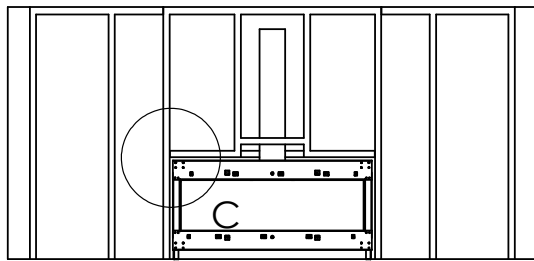
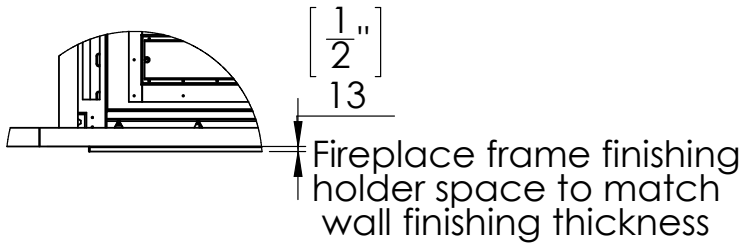
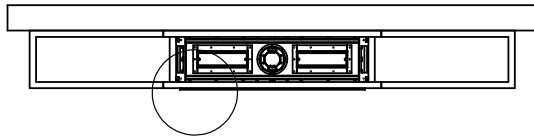


Step 1 - Basic Framing :

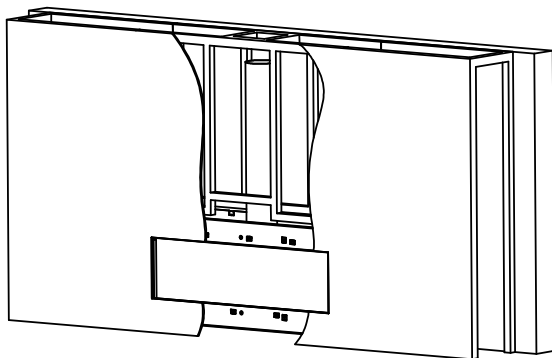


Flat Installation

Step 2 -Positioning the Fireplace:

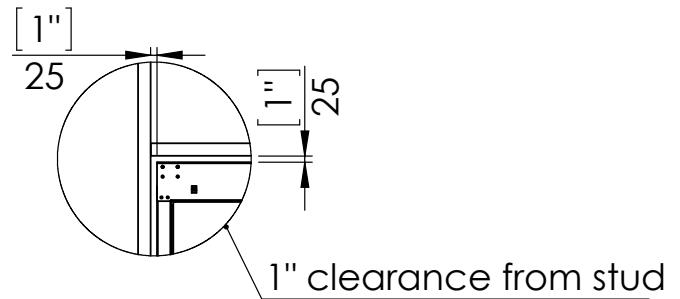
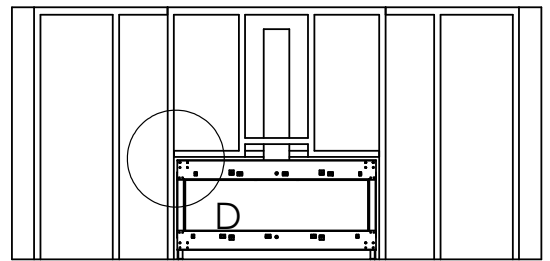
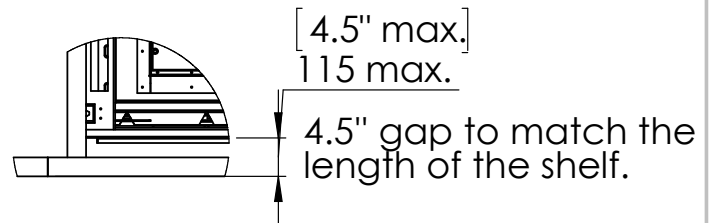
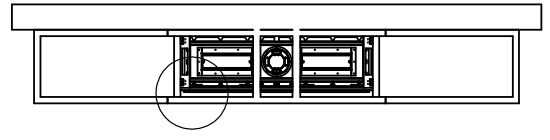


Last Step - Finishing The Fireplace Wall:

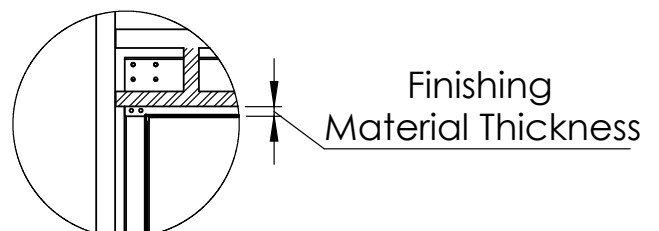
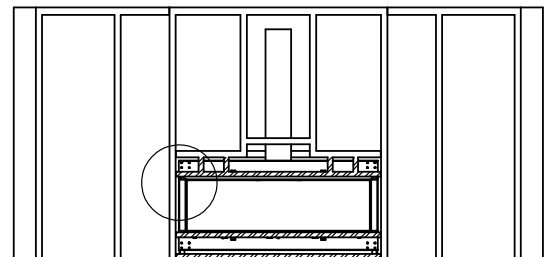


L Shape Installation

Step 2 -Positioning the Fireplace:

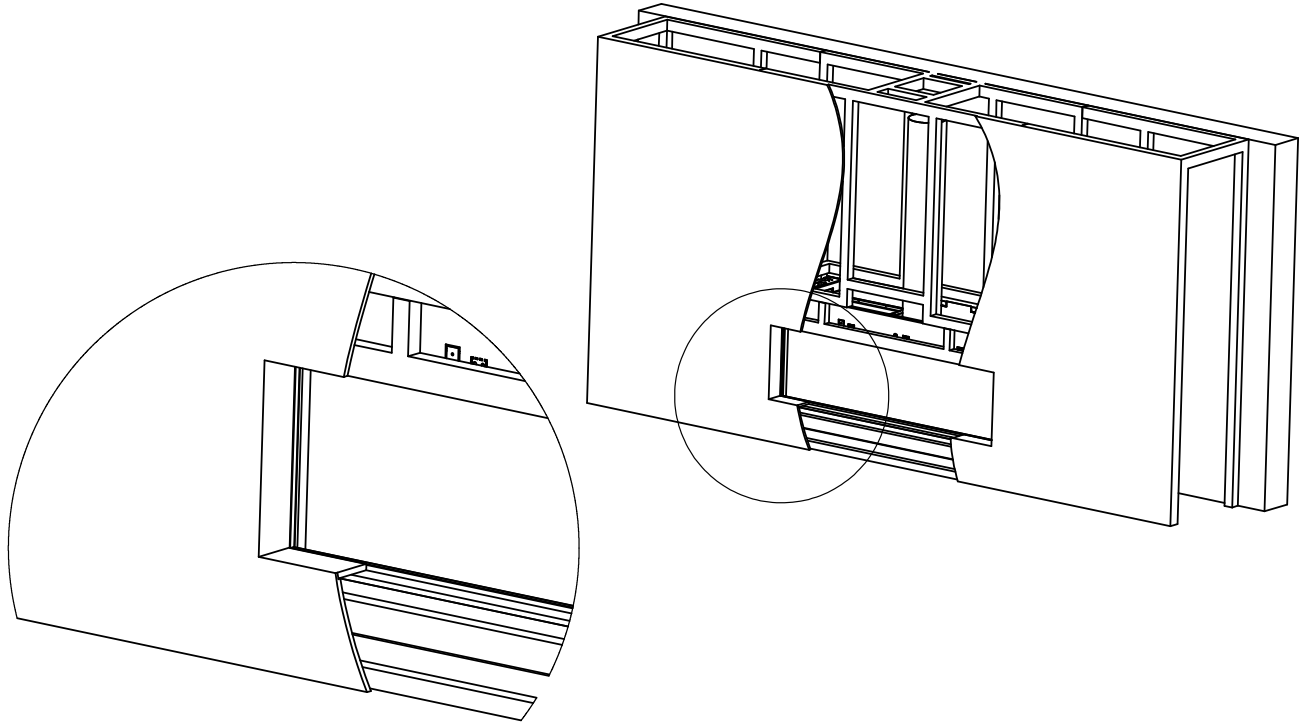


Step 3 - Framing Front Studs For L Shape:



L Shape Finishing Install

Last Step - Finishing The Fireplace Wall:



Specifications for Appliance Flare Front 70 Commercial

Factor	NG	LPG
Burner Type	35,80,35	35,80,35
Orifice	500,1000,500	160,320,160
BTU Max.	52200	43000
BTU min.	28000	20000
Kw/h	15.3k	12.6k
Chimney DIA.	5X8	5X8
Manifold Pressure[w.c]	Screen – 3.2 Double glass - 5.2	6.7
Efficiency rate	82	79
Glass Size Length\Width	1705 X 423 mm	67" 1/8 X 16" 11/16'
Appliance Weigh	195Kg	430lb