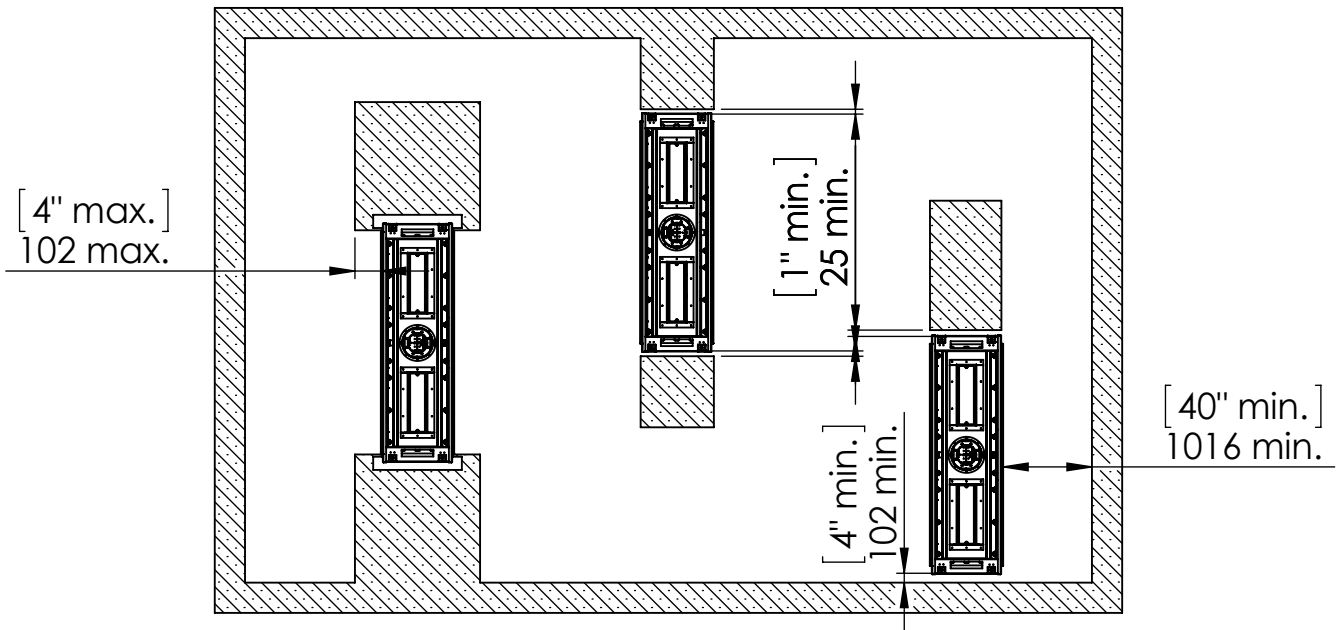


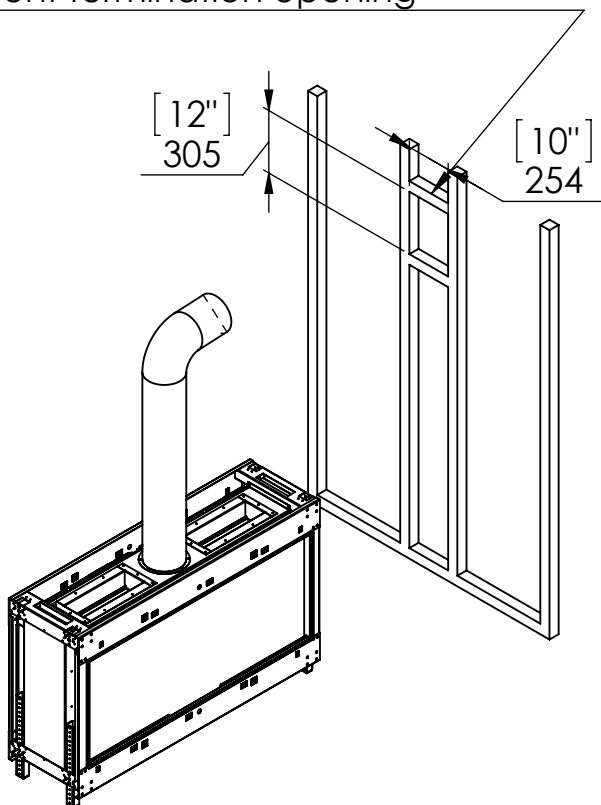
Telescopic Leg Range  
From bottom of glass: 10"-19"



## Chimney Installation

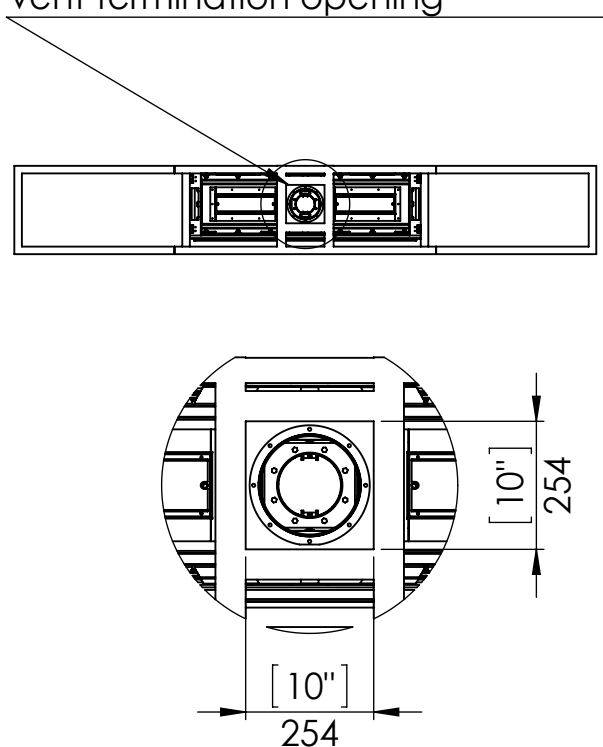
### Horizontal Termination

For 5 x 8 vent size create 10" x 12" vent termination opening

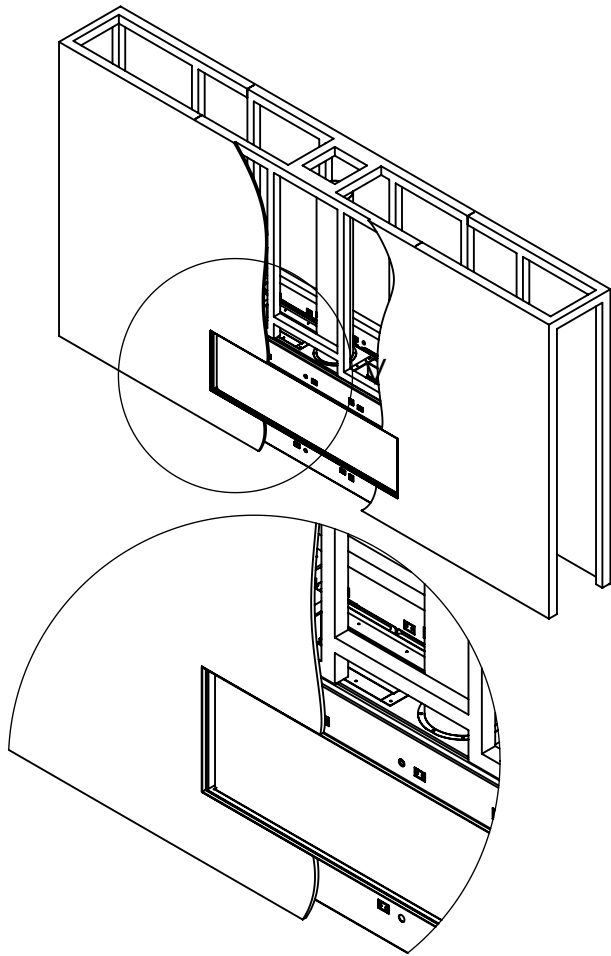


### Vertical Termination

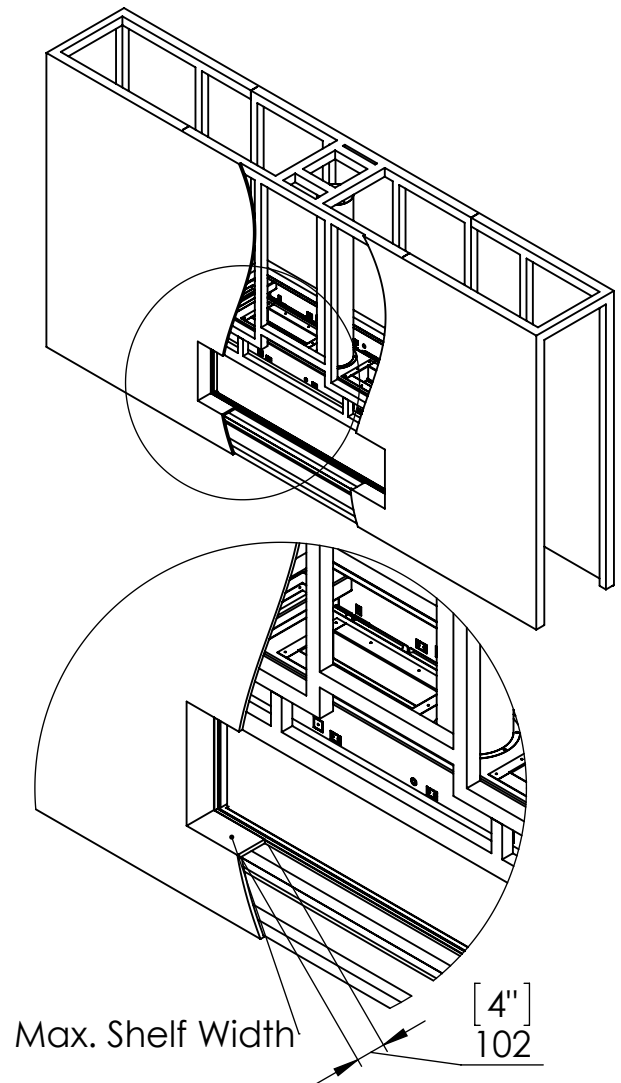
For 5 x 8 vent size create 10" x 10" vent termination opening



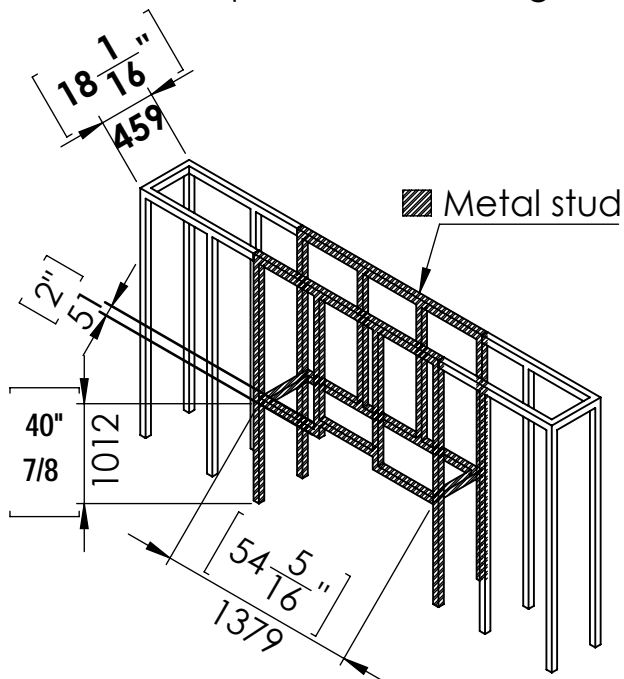
## Flat Installation



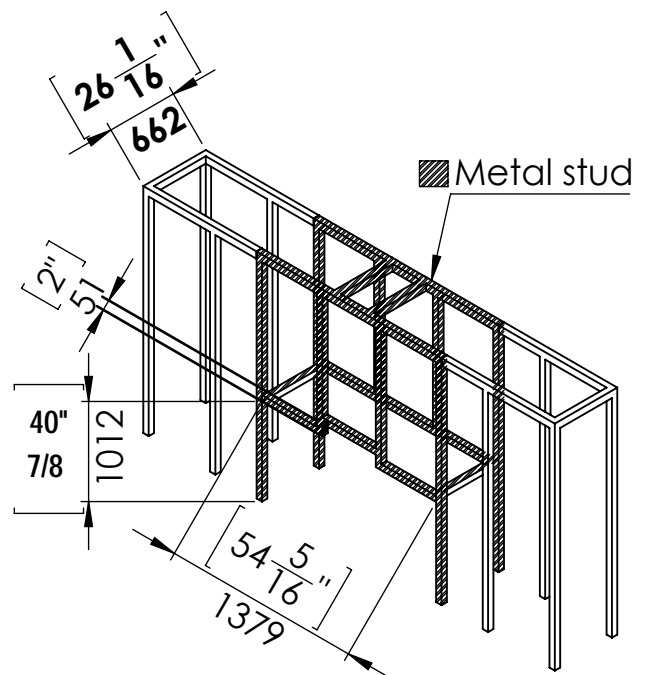
## L Shape Installation



### Step 1 - Basic Framing :

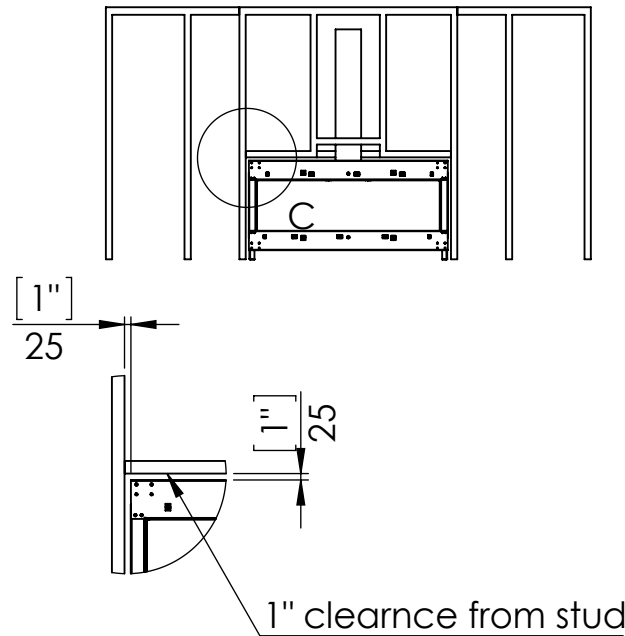
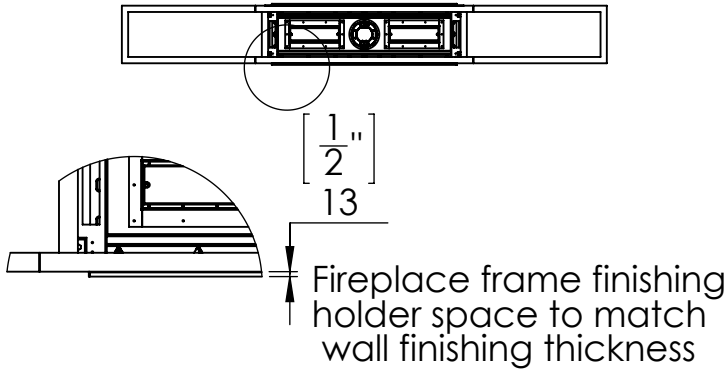


### Step 1 - Basic Framing :

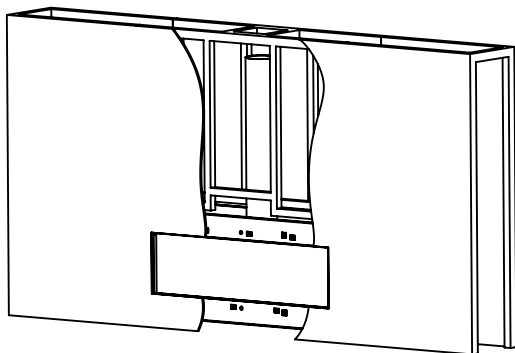


## Flat Installation

Step 2 -Positioning the Fireplace:

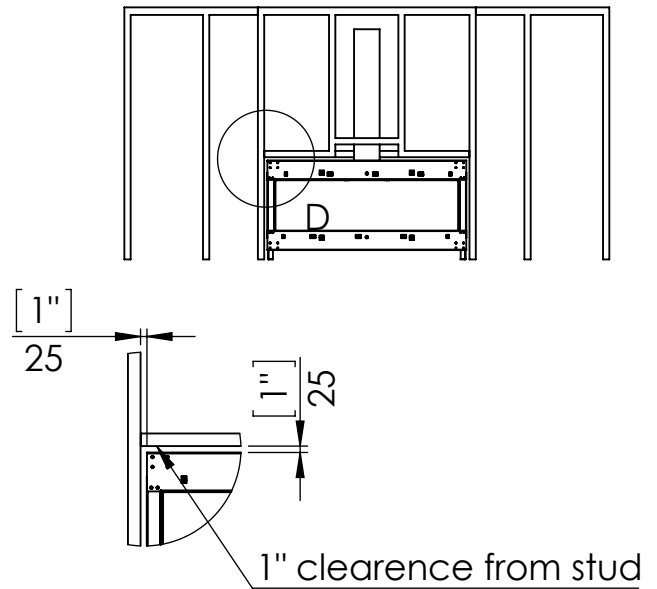
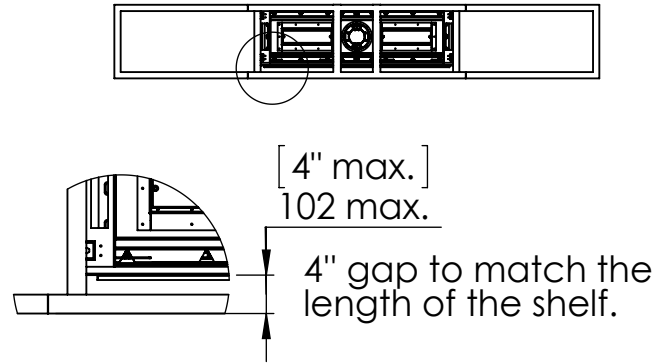


Last Step - Finishing The Fireplace Wall:

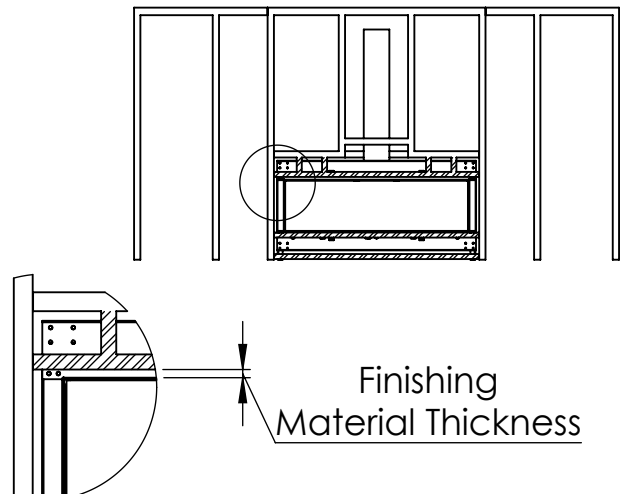


## L Shape Installation

Step 2 -Positioning the Fireplace:

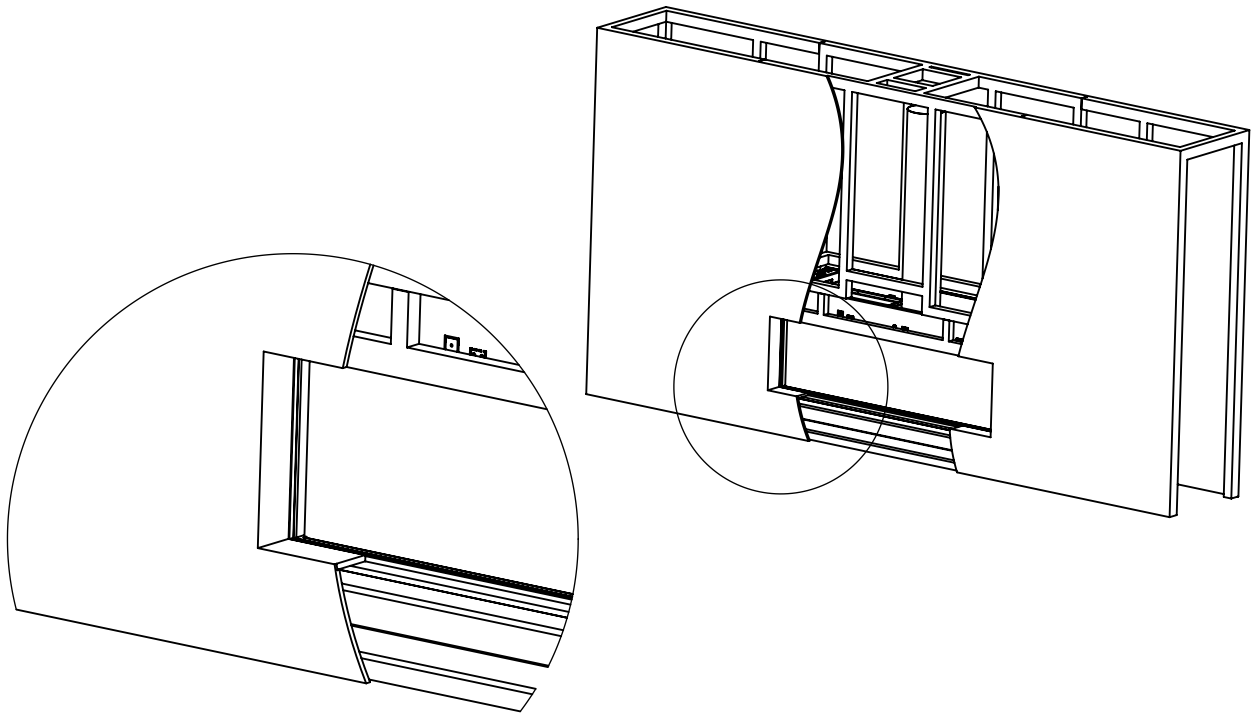


Step 3 - Framing Front Studs For L Shape:



## L Shape Finishing Install

Last Step - Finishing The Fireplace Wall:



## Specifications for Appliance

Flare See Through 50EH

Factor	NG	LPG
Burner Type	105	105
Orifice	1200	320
BTU Max.	47000	35000
BTU min.	22750	18500
Kw/h	13.8k	10.2k
Chimney DIA.	5X8	5X8
Manifold Pressure[w.c]	4.9	10.4
Efficiency rate	78	82
Glass Size Length\Width	1200 X 767 mm	47" 4/16 X 30" 3/16
Appliance Weigh	132 kg	293 lb