



NOTICE



FOR OUTDOOR USE ONLY



**WARNING:** If the information in these instructions is not followed exactly, a fire or explosion may result, causing property damage, personal injury, or loss of life.

- Do not store or use gasoline or other flammable vapors and liquids in the vicinity of this or any other appliance.
- WHAT TO DO IF YOU SMELL GAS**
- Do not try to light any appliance.
  - Do not touch any electrical switch; do not use any phone in your building.
  - Immediately call you gas supplier from a neighbor’s phone. Follow the gas supplier’s instructions.
  - If you cannot reach your gas supplier, call the fire department.
  - A qualified installer, service agency or the gas supplier must perform installation and service.



We suggest that our gas hearth products be installed and serviced by professionals who are certified in the U.S. by the National Fireplace Institute® (NFI) as NFI Gas Specialists.

**INSTALLER:** Leave this manual with the appliance.

**CONSUMER:** Retain this manual for future reference.

**Installation and service of this appliance MUST be performed by qualified certified NFI personnel.**

**Massachusetts:** The piping and final gas connection must be performed by a licensed plumber or gas fitter in the State of Massachusetts. Also, see Carbon Monoxide Requirements Detector requirements.



---

## TABLE OF CONTENTS

FIREPLACE SAFETY WARNINGS .....	4
SAFE OPERATING PRACTICES .....	6
FLARE OUTDOOR FIREPLACES – FRAMELESS IN EVERY WAY .....	13
CSA CERTIFICATION.....	13
INSTALLATION MODEL LIST AND INTRODUCTION .....	14
WATER AND MOISTURE RESISTANCE .....	15
QUALIFIED INSTALLING AND INSTALLERS .....	16
HIGH ALTITUDES .....	16
WELL HEAD GAS INSTALLATION .....	16
OUTDOOR FIREPLACE INSTALLATION OVERVIEW .....	17
INSTALLATION STEPS .....	18
FIREPLACE UNPACKING .....	19
OUTDOOR ENCLOSURE REQUIREMENTS.....	20
OPTION 1 – WALLS ON ALL SIDES, NO ROOF .....	20
OPTION 2 – PARTIAL ENCLOSURE, COVERED WITH NO MORE THAN TWO SIDES .....	20
OPTION 3 – PARTIAL ENCLOSURE WITH COVER AND THREE SIDE WALLS .....	21
DRAINAGE AND VENTILATION .....	22
SELECTING THE FIREPLACE LOCATION.....	22
DRAIN PAN REQUIREMENTS.....	22
FRAMING ADJUSTMENTS .....	22
FLARE FIREPLACE DRAINAGE .....	23
RECOMMENDED PLATFORM CONSTRUCTION .....	23
CLEARANCES .....	24
CLEARANCES TO FRAMING (COMBUSTIBLE AND NON-COMBUSTIBLE .....	24
CLEARANCES TO COMBUSTIBLE FINISHING MATERIALS – SINGLE FRONT UNITS .....	25
CLEARANCES TO COMBUSTIBLE FINISHING MATERIALS – CORNER STYLE UNITS .....	26
MANTEL CLEARANCE .....	27
OVERHANG REQUIREMENTS .....	28
SERVICE ACCESS PANEL: .....	28



---

ELECTRICAL REQUIREMENTS .....	29
ON/OFF SWITCH .....	29
ELECTRICAL CONNECTION .....	30
ELECTRICAL DRAWING.....	31
POWER BRIDGE.....	32
RGB LED LIGHTS.....	33
GAS CONNECTION.....	34
LIQUID PROPANE GAS CONVERSION .....	34
PROPANE GAS CYLINDER/TANK – DIRECTLY CONNECTED TO FIREPLACE .....	35
MEDIA ARRANGEMENT .....	36
FIREGLASS.....	36
WIND GUARD INSTALLATION.....	37
OPTIONAL HEAT SHEILD.....	39
REFLECTIVE BACK INSTALLATION.....	40
PARTS.....	40
INSTALLATION.....	41
REPLACEMENT PARTS LIST.....	42
MAINTENANCE.....	43
YEARLY SERVICE PLAN .....	44
GLASS MAINTENANCE .....	44
PILOT MAINTENANCE .....	44
BURNER MAINTENANCE .....	44
MAINTENANCE LOG.....	45
WARRANTY POLICY .....	46
18 MONTH COMPREHENSIVE WARRANTY .....	46
LIMITED FIVE-YEAR COVERAGE .....	46
LIMITED 10-YEAR COVERAGE .....	46
CONDITIONS .....	47
EXCLUSIONS.....	48
WARRANTY VOID WHEN.....	48
LEGACY ELECTRICAL DIAGRAM .....	49
LEGACY VENTLESS POWER BOARD.....	50



## FIREPLACE SAFETY WARNINGS

### WARNING

**DANGER, CARBON MONOXIDE HAZARD!**

This appliance can produce carbon monoxide, which has no odor. Using it in an enclosed space can kill you. Never use this appliance in an enclosed space such as a camper, tent, car, or home.



### WARNING

Do not try to light this appliance without reading the “lighting” instructions section of this manual. Do not store or use gasoline or other flammable liquids or vapors in the vicinity of this or any other appliance. An L.P. cylinder not connected for use must not be stored in the vicinity of this or any other appliance. If the information in these instructions is not followed exactly, a fire or explosion may result, causing property damage, personal injury, or death.

### WARNING

**DANGER! IF YOU SMELL GAS:**

- Shut off gas appliance immediately.
- Extinguish any open flames.
- If the odor continues, keep away from the appliance and immediately call your gas supplier or fire department.



### WARNING



**FOR OUTDOOR USE ONLY**





## WARNING

### **DANGER!** HOT GLASS

Hot glass and surface will cause burns. Do not touch glass until cooled. Never allow children to touch glass or the surface surrounding the fireplace.



## WARNING

### DO NOT COVER DURING OPERATION

### **DANGER!**

#### **Carbon Monoxide Hazard**

This appliance can produce carbon monoxide, which has no odor. Using it in an enclosed space can kill you. Never use this appliance in an enclosed space such as a camper, tent, car, or home.



## WARNING

Improper installation, adjustment, alteration, service, or maintenance can cause property damage, personal injury, or loss of life. Refer to the owner's installation manual provided with this appliance. A qualified installer, service agency or the gas supplier must perform installation and service. Do not store or use gasoline, or other flammable vapors and liquids, in the vicinity of this or any other appliance. An LP-cylinder not connected for use shall not be stored in the vicinity of this or any other appliance.



## SAFE OPERATING PRACTICES

- **THIS FIREPLACE MUST BE OPERATED USING A SWITCH CONTROLLED POWER SOURCE.**
- This appliance is hot when operating and can cause severe burns if contacted.
- A qualified service person should do installation and repair. The appliance should be inspected before use and at least annually by a qualified service person. More frequent cleaning may be required, as necessary. It is imperative that the control compartment, burners and circulating air passageways of the appliance be kept clean.
- Do not operate the appliance before reading and understanding operating instructions. Failure to operate an appliance according to operating instructions could cause fire or injury.
- Risk of burns. The appliance should be turned off and cooled before servicing.
- Do not install damaged, incomplete or substitute components.
- Young children should be carefully supervised when they are in the appliance. Toddlers, young children, and others may be susceptible to accidental contact burns. A physical barrier is recommended if there are at risk individuals in the vicinity. To restrict access to appliances or stoves, install an adjustable safety gate to keep toddlers, young children, and other at-risk individuals out of the vicinity and away from hot surfaces.
- Ensure you have incorporated adequate safety measures to protect infants/toddlers from touching hot surfaces
- Under no circumstances should this appliance be modified.
- Keep the packaging material out of the reach of children and dispose of the material in a safe manner. As with all plastic bags, these are not toys and should be kept away from children and infants.
- Do not leave appliances unattended when in use.
- This appliance must not be used for cooking.
- This unit is not for use with solid fuel.
- Improper installation, adjustment, alteration, service, or maintenance can cause injury or property damage. Read the installation, operating and maintenance instructions thoroughly before installing or servicing this equipment.
- This appliance shall be used ONLY outdoors in a well-ventilated space and shall NOT be used inside a building, garage, or any other enclosed area.
- Cylinders must be stored outdoors in a well-ventilated area out of reach of children. Disconnected cylinders must have threaded valve plugs tightly installed and must not be stored in a building, garage, or any other enclosed area.
- Storage of this appliance indoors is permissible only if it has been disconnected from its fuel supply (Natural gas line or LP gas cylinder).
- If it is evident there is excessive abrasion or wear, or the hose is cut, it must be replaced prior to the appliance being put into operation.
- Clothing or other flammable materials should not be hung from the appliance or placed on or near the appliance.



- Any guard or other protective device removed for servicing the appliance must be replaced prior to operating the appliance.
- Inspect the fuel supply connection for signs of leakage (Including the hose for LP models) before each use of the appliance.
- The pressure regulator and hose assembly supplied with LP models must be used. Replacement pressure regulators and hose assemblies must be those specified in this manual.
- The LP gas supply cylinder used with LP models must be constructed and marked in accordance with the specifications for LP-gas cylinders as required by the U.S. Department of Transportation (DOT) or the Canadian Transport Commission (CTC).
- The LP gas cylinder supply system must be arranged for vapor withdrawal.
- The LP-gas cylinder used must include a collar to protect the cylinder valve.
- When an LP model is not in use, the LP-gas must be turned off at the supply cylinder.
- To extend the life of your appliance, protect and cover it from the elements when not in use.
- This product must be installed by a licensed plumber or gas fitter when installed within the Commonwealth of Massachusetts

## WARNING

**CAUTION:** The gas pressure regulator provided with this appliance must be used. This regulator is set for an outlet pressure of 7-8 (NG) 10-11 (LP) inches water column

## WARNING

When turning the fireplace on/off, visually confirm flames start and extinguish completely before leaving the appliance.

## WARNING

### **CAUTION!** SAFE UNPACKING

During unpacking and assembly, we recommended you wear work gloves and safety glasses for your protection. Although we make every effort to make the assembly process as problem free and safe as possible, it is characteristic of fabricated steel parts that the edges and corners might be sharp and could cause cuts if managed incorrectly.





---

**WARNING**

This appliance is designed for non-combustible enclosures only and must be installed and serviced by a qualified installer of local codes.

**WARNING**

Minimum clearance to combustibles must be maintained or a serious fire hazard could result.

**WARNING**

Use only non-combustible materials (Certified to ASTM E-136) such as steel studs, cement board, ceramic tile, marble, paint. When adding finishing materials to the appliance. Do not use wood, or drywall.

**WARNING**

You must have clear and easy access to the on/off valve after the appliance is installed and connected to the gas supply to safely turn off the burner.

**WARNING**

Mantel temperatures will rise above normal temperatures and may be hot to the touch.



## WARNING

### **RISK OF FIRE, EXPLOSION, OR ASPHYXIATION, ENSURE THERE ARE NO IGNITION SOURCES SUCH AS SPARKS OR OPEN FLAMES.**

The installation must be performed by a licensed gas fitter, and all connections must be leak evaluated before operating the appliance.

- All gas connections must be contained within the appliance when complete.
- High pressure will damage the valve, disconnect gas supply piping before testing gas line at test pressures above 1/2 PSIG.
- Connect the gas supply in accordance with local codes. In the absence of local codes, install to the current CAN/CSA B149.1 Installation Code in Canada or to the current National Fuel Gas Code, ANSI Z223.1/NFPA 54 in the United States
- Leak tests all the connections by brushing on a soap and water solution. These connections can be accessed by removing the burner. (See burner removal instructions.)
- Make sure the cylinder valve is in its full off position. (Turn clockwise to stop).
- Check cylinder valve features to ensure it has proper external mating threads. (Cylinder Valve Marked: USE WITH TYPE 1)
- Inspect hose shipped with the unit for damage. Never attempt to use damaged or plugged equipment. See your local LP Gas Dealer for repairs.
- When connecting regulator assembly to the cylinder valve, hand tighten black QCC1 nut clockwise to a positive stop. DO NOT use a wrench to tighten. Use of a wrench may damage the quick closing coupling nut and result in a hazardous condition.
- Locate the hose out of pathways where people may trip over it or in areas where the hose may be subject to accidental damage.
- Open cylinder valve fully (counterclockwise). Turn the on/off valve at the unit slowly to the on position and use a soapy water solution to check all connections for leaks as indicated in the diagrams before attempting to light the appliance. If a leak is found, turn the tank valve off and do not use the appliance until repairs can be made.
- Use only a ground fault interrupter (GFI) protected circuit with this outdoor gas appliance.
- Ensure that all power sources have been shut off prior to beginning any electrical work.
- **THIS FIREPLACE MUST BE OPERATED USING A SWITCH CONTROLLED POWER SOURCE**
- Do not use this appliance if any part has been under water. Call a qualified
- Service technician immediately to have the appliance inspected for damage to the electrical circuit.
- All wiring should be done by a qualified electrician and should follow local codes. In the absence of local codes, use the current csa22.1 Canadian electric code in Canada or the current national electric code ANSI/NFPA no. 70 in the United States.
- Children and adults should be alerted to the hazards of high surface temperatures and should stay away from the appliance to avoid burns or clothing ignition.
- Children should be carefully supervised when they are in the appliance.



- Clothing or other flammable materials should not be hung from the appliance or placed on or near the appliance. The area above the enclosure may be extremely hot. Direct contact with these surfaces should be avoided to prevent burns or clothing ignition.
- Any guard or protective device removed for servicing the appliance must be replaced prior to operating the appliance.
- A qualified service person should do installation and repair.
- The appliance should be inspected before each use and at least annually by a qualified service person. More frequent cleaning may be required, as necessary. It is imperative that the control compartment, burners and circulating air passageways of the appliance be kept clean.
- Never use the appliance while it is raining.
- Always turn the appliance off when raining.
- Never splash any liquid on the glass / glass embers when the appliance is operating.
- The glass / glass embers will be extremely hot while operating, never try to touch them.
- Always ensure the appliance stands firmly on level ground.
- Never use the appliance if the burner is damaged. Inspect the burner before each use. Ensure that no debris such as leaves, grass or other objects have entered or are on the appliance. If the burner is damaged, it must be replaced prior to using the appliance with a replacement burner specified by your Flare dealer.
- Inspect the hose assembly before each use. If there is evidence of excessive abrasion or wear, or if the hose is damaged it must be replaced prior to using the appliance with a replacement hose assembly specified by your Flare dealer.

## WARNING

To avoid the possibility of burns conversions should only be done when the appliance is cool. Ensure the burner is turned off. Turn the gas off at source and disconnect the appliance before beginning conversion.

## WARNING

Glass embers may have sharp edges, wear safety glasses and gloves when handling.

## WARNING

Gas conversions must be performed by a licensed gas fitter, and all connections must be leak evaluated before operating the appliance.



## WARNING

Glass embers may have a fine oil residue that needs to be cleaned prior to installation. Clean the glass with mild dish soap, drain, rinse thoroughly and dry before installing. Glass embers may have sharp edges, wear safety glasses and gloves when handling. Do not change or substitute the glass ember material provided with this appliance. If replacing, use only replacement glass embers available from your local authorized dealer/distributor. Real rocks must not be used in this appliance. Heat will cause them to explode.

## WARNING

Keep face and body away from burner area when lighting. Ensure burner controls are in the off position. Slowly turn on the gas supply valve. The propane cylinder is equipped with an excess flow device. Unless burners are turned off prior to turning the cylinder on, only small flames and low heat will be achievable. If the burner does not light within 10 seconds, turn the valve off and wait 5 minutes for any gas to dissipate before repeating the procedure.



## WARNING

- Never use this appliance for other than the intended use. Do not use this appliance to prepare food.
- You must have clear and easy access to the on/off valve AFTER the appliance is installed and connected to the gas supply to safely turn off the burner.
- Never use this appliance for other than the intended use. Do not use this appliance to prepare food.
- You must have clear and easy access to the on/off valve AFTER the appliance is installed and connected to the gas supply to safely turn off the burner.
- Do not bypass thermocouple safety.
- Do not operate the appliance if any part has been under water. Immediately call a qualified service technician to inspect the appliance and replace any part of the control system and any gas control which has been underwater.
- the gas control is exposed to water in any way, DO NOT try to use the appliance. The gas control must be replaced.
- Hose: Check for abrasions, melting, cuts, and cracks in the hose. If any of these conditions exist, do not use the appliance. Have the part replaced by your fireplace dealer or qualified gas installer.
- To avoid the possibility of burns, maintenance should be done only when the appliance is cool. Avoid unprotected contact with hot surfaces. Ensure the burner is turned off. Turn gas off at source and disconnect the appliance before servicing. Clean the appliance in an area where cleaning solutions will not harm decks, lawns, or patios. Do not use flammable, corrosive, or abrasive cleaners.
- The appliance area must be clear and free from combustible materials, gasoline and other flammable vapors and liquids. Do not obstruct the flow of combustion and ventilation air. Keep the ventilation opening of the cylinder enclosure free and clear of debris.
- Disconnect the power supply from the appliance before servicing. Turn off the appliance completely and let cool before servicing. Only a qualified service person should service and repair this electric appliance.

The appliance has been designed with several safety features, which include a safety valve. If the burner flame is extinguished the appliance will automatically shut down. Any modification to the appliance may compromise the safety of this appliance. Special concern is as follows.

**Initial Lighting:** When lit for the first time, the appliance emits a slight odor. This is a normal temporary condition caused by the “burn-in” of internal paints and lubricants used in the manufacturing process and does not occur again. Simply run the main burner on high for approximately one-half hour.



## FLARE OUTDOOR FIREPLACES – FRAMELESS IN EVERY WAY

Flare Fireplace is where innovation, quality and luxury come together to form new ideas. By combining superior raw materials, contemporary design, creative technology, and a frameless way of thinking, we have created a full line of direct-vent fireplaces that are luxurious, simple to operate, and efficient. Our Fireplaces are distinguished by their clean design, superior build quality and unique features.

## CSA CERTIFICATION

All our fireplaces are evaluated and have been certified to meet stringent CSA guidelines, ensuring optimum quality, safety, and efficiency, as well as been certified and evaluated to work with Natural Gas or Liquid Propane.

### Certification Information:

ANSI Z21.11.2/CSA 2.41 for Outdoor Gas Fireplaces

All fireplaces are rated for commercial and residential use.



### The CSA Mark

The Canadian Standards Association (CSA) is a nonprofit association serving business, industry, government and consumers in Canada and the global marketplace. Among many other activities, CSA develops standards that enhance public safety. A Nationally Recognized Testing Laboratory, CSA is familiar with U.S. requirements. **According to OSHA regulations, the CSA-US Mark qualifies as an alternative to the UL Mark.**

### Here are some areas where CSA standards are applied:

- Canadian Electrical Code, Part III-Outside Wiring
- Electrical Engineering Standards
- Electromagnetic Compatibility



## INSTALLATION MODEL LIST AND INTRODUCTION

The following manual should be used for the following Flare Outdoor Vent-Free Fireplaces 50 to 100 inches long. The Flare Fireplaces Outdoor Ventless fireplace can be ordered in the following configurations:

- Flare Ventless Front 50" - 100"
- Flare Ventless See-Through 50" - 100"
- Flare Ventless Corner Right & Left 50" - 100"
- Flare Ventless Double Corner 50" - 100"

All Outdoor Ventless Flare Fireplaces are made using a combination of 316 & 304 stainless steel. All models share the same gas valve system, gas connection, glass type and burner, simplifying installation and operation. All warnings and instructions apply to all models. Refer to the model's name for specific model, [clearance and installation](#) information.

1. Installer must leave instruction manual with owner after installation.
2. Installer must have owner register online at <https://www.flarefireplaces.com/product-registration>
3. Installer should show owner how to start and operate outdoor fireplace.

Always consult your local Building Department regarding regulations, codes or ordinances which apply to the installation of an outdoor gas fireplace.

This series is design certified in accordance with ANSI Z21.11.2/CSA 2.41 for Outdoor Gas Fireplaces and should be installed according to these instructions. Any alteration of the original design, installing it other than as shown in these instructions or using a type of gas not shown on the rating plate, is the responsibility of the person and company making the change.

Installation MUST comply with local, regional, state, and national codes and regulations. Consult insurance carrier, local building inspector, fire officials or authorities that have authority over restrictions, installation inspection and permits.

This installation must conform to local codes. In the absence of local codes, you must comply with the National Fuel Gas Code, ANSI Z223.1-latest edition in the U.S.A. and the CAN/CGA B149 Installation Codes in Canada.

Improper installation, adjustment, alteration, service, or maintenance can cause injury or property damage. For assistance or additional information, consult a qualified service technician, service agency or your dealer.



## WATER AND MOISTURE RESISTANCE

- This outdoor fireplace will shed moderate amounts of water but is not waterproof. Water and condensing water vapor may enter the chase under certain conditions. Do not locate appliances where they can get excessively wet.
- The fireplace will not perform as an exterior wall. Moisture penetration must be considered for construction that places the fireplace in structure walls or on moisture sensitive surfaces. When installed on exterior walls: Flare Fireplaces recommends the fireplace chase be constructed outside the structure's weather envelope. When the platform meets the wall, use a flashing detail like that required for attached decks.
- Chase platforms, including hearths, should slope away from the structure at 1/4 in. per foot. The fireplace can be shimmed level. When installed on surfaces where water may collect or cause damage: Flare Fireplaces recommends a slope of 1/8 to 1/4 in. per foot towards the drain port suggested.
- Hearths should slope away from the front of the fireplace and chase at 1/8 in. to 1/4 in. per foot. Metal safety strips must be on top of any combustibile hearth materials used for moisture management. When purchasing a firebox or fireplace we recommend you also buy a weather cover to protect the unit from moisture. Never install a burner where moisture cannot drain off easily. We recommend a weather barrier to protect the burner from moisture.
- Do not use this appliance if any part has been under water. Immediately call a qualified service technician to inspect the unit and to replace any part of the control system and any gas control, which has been underwater.



## QUALIFIED INSTALLING AND INSTALLERS

- Installation and replacement of gas piping, gas utilization equipment or accessories and repair and servicing of equipment shall be performed only by a qualified agency. The term "qualified agency" means any individual, firm, corporation, or company which either in person or through a representative is engaged in and is responsible for (a) the installation or replacement of gas piping or (b) the connection, installation, repair, or servicing of equipment, who is experienced in such work, familiar with all precautions required and has complied with all the requirements of the authority that have jurisdiction.
- **Commonwealth of Massachusetts:** The installation must be made by a licensed plumber or gas fitter in the Commonwealth of Massachusetts
- The installation must conform with local codes or, in the absence of local codes, with the National Fuel Gas Code, ANSI Z223.1. \* \*Available from the American National Standards Institute, Inc. 1430 Broadway, New York, N.Y. 10018.

## HIGH ALTITUDES

- For altitudes/elevations above 2,000 feet (610m), ratings should be reduced at the rate of 4 percent for each 1,000 feet (305m) above sea level.

## WELL HEAD GAS INSTALLATION

Some natural gas utilities use "well head" gas. This may affect the BTU output of the unit. Contact the gas company for the heating's value. Contact the manufacturer or your gas company before changing spud/orifice size.



## OUTDOOR FIREPLACE INSTALLATION OVERVIEW

When selecting a location for your appliance it is important to ensure clearances to adjacent combustibles are met. This appliance is intended for installation on an outdoor patio or in your yard. It is highly recommended that this appliance be installed in a sheltered area (following the guidelines outlined below). Direct wind will cause an erratic flame and pilot or main burner outage. An erratic flame could also lead to excessive black soot, this condition is not a safety issue but is visually undesirable.

1. Fireplace Gas type: Natural Gas or Propane.
2. Combustible's proximity and clearances to the fireplace.
3. 120V GFCI power outlet controlled by a physical switch or timer.
4. Gas shutoff valve location.
5. Verify ventilation meets at least minimum requirements
6. Wind and rain direction
7. Drainage under fireplace.
8. Drain pan.



---

## INSTALLATION STEPS

Prior to starting the installation, make sure you read and understand all the WARNING information in the manual. Do not start the installation if you are not clear about any of the installation related subjects.

### **DETERMINE THE FOLLOWING:**

- Clearance requirements from combustible and non-combustible materials. Follow the clearance instruction and example in the manual.
  - Gas supply piping.
  - Confirm if the fireplace is going to operate using Natural Gas (NG) or Propane (LPG). Use the attached product label to confirm the fireplace is set for the expected gas type.
  - Electrical wiring requirements.
  - Framing and finishing details.
1. Unpack the fireplace box, adjust telescopic legs and place in the upright position. Follow instruction for fireplace unpacking.
  2. Put the Fireplace in the desired location. Verify clearance to non-combustible and combustible materials. Follow the clearance instruction and example in the manual.
  3. Connect gas (Gas connection section) line to the Fireplace and verify gas inlet and outlet pressure. **Measure and document gas pressure here:** Inlet \_\_\_\_\_ W.C.
  4. Confirm if adjustments for high altitude are needed (Installation at above 2000 Ft from sea level).
  5. Connect electrical wiring for applicable units.
  6. Insert and place Fireplace media. Use media arrangement guide from the manual.
  7. Verification of:
    - Ignition and pilot system.
    - Burning and flame.
  8. Complete framing and wall cover.

**Read all the instructions before starting the installation. Follow these instructions carefully during the installation to ensure maximum safety and benefit. Follow the steps above to ensure proper installation of the gas appliance. Warning! Risk of fire or explosion! Damaged parts could impair safe operation. Do not install damaged, incomplete or substitute components.**



## FIREPLACE UNPACKING

Follow the instructions below for unpacking the unit:

- Check the packing and confirm there is no external damage.
- If damage exists, please notify Flare Fireplaces immediately.
- Remove the top wood studs and pull the external carton box up.
- Please do not remove the wrap completely at this stage.
- Leave the fireplace placed on the pallet for the next step



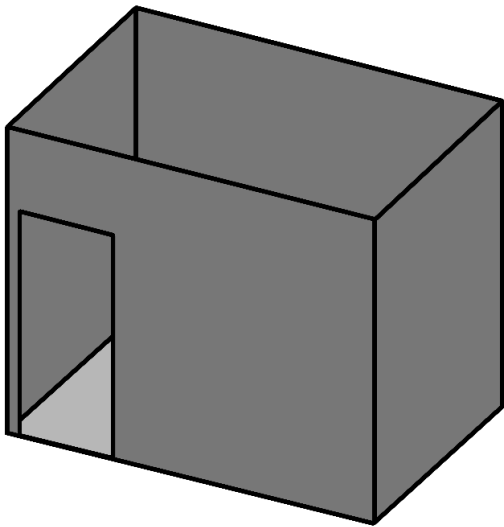
---

OUTDOOR ENCLOSURE REQUIREMENTS

---

OPTION 1 – WALLS ON ALL SIDES, NO ROOF

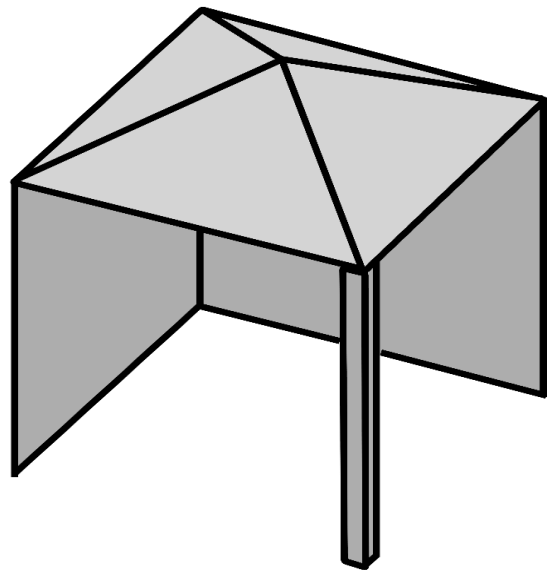
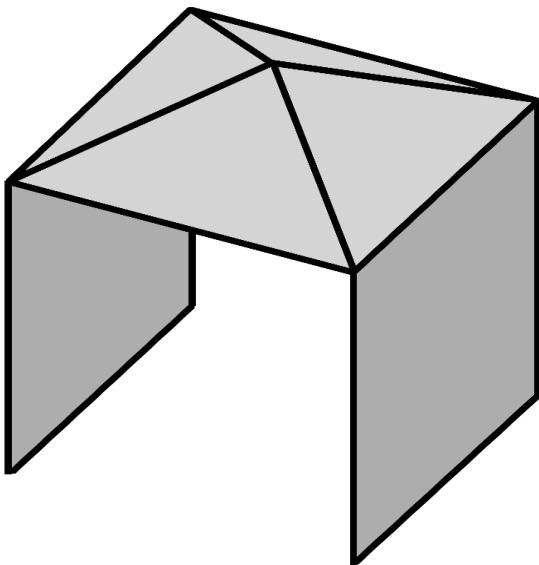
Walls on all sides, with one permanent opening at ground level and no overhead cover.



---

OPTION 2 – PARTIAL ENCLOSURE, COVERED WITH NO MORE THAN TWO SIDES

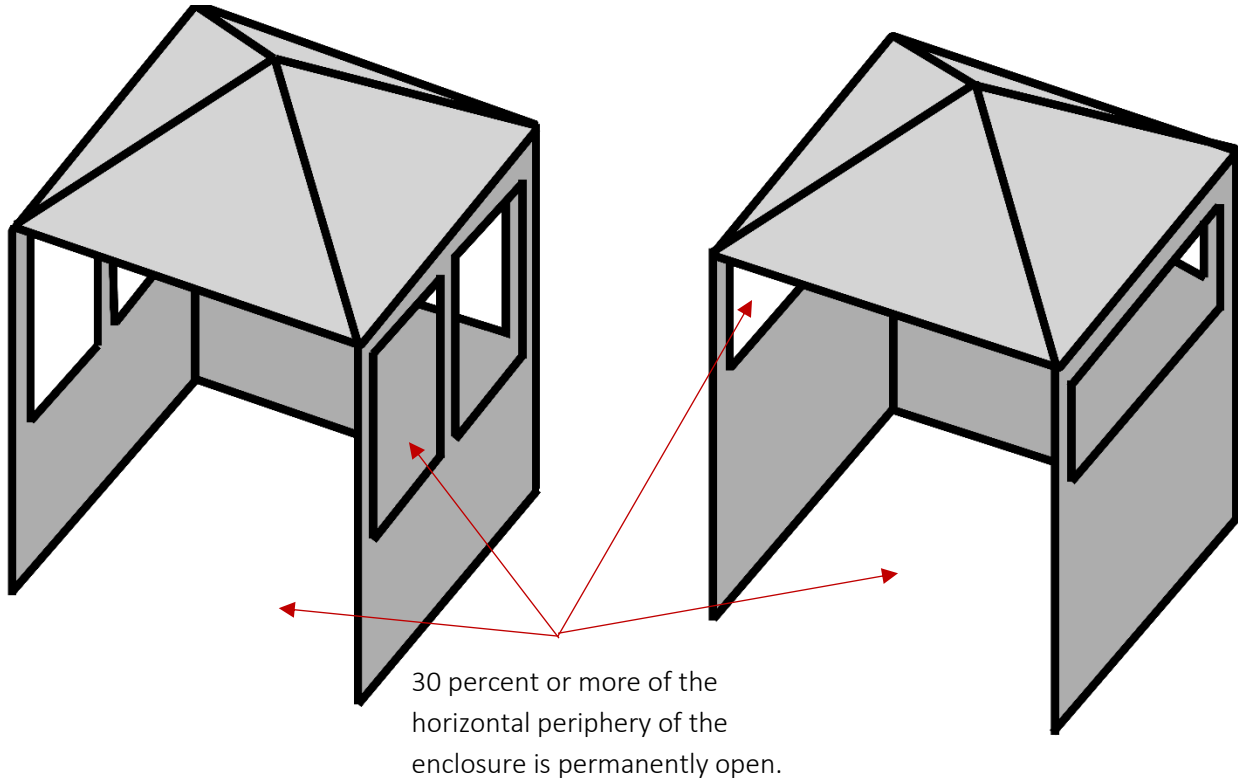
Partial enclosure which includes an overhead cover with no more than two-side walls.



---

OPTION 3 – PARTIAL ENCLOSURE WITH COVER AND THREE SIDE WALLS

- 30 percent or more of the horizontal periphery of the enclosure is permanently open.



**WARNING**

This fireplace is intended for installation on an outdoor patio or yard. This fireplace shall be used only outdoors in a well-ventilated space and shall NOT be used in a building, garage, or other enclosed area. This fireplace cannot be installed with an opening to the inside of a residence. Connection directly to an unregulated L.P. tank can cause an explosion. Risk of fire, explosion, or asphyxiation. Ensure no ignition, flame or spark are near during installation. This includes cigarettes or cell phones.



## DRAINAGE AND VENTILATION

Flare fireplaces are designed for safe outdoor operation. However, rain and moisture can enter the fireplace cavity, potentially leading to water accumulation in the chase or base of the unit. Proper drainage and ventilation are essential to prevent these issues.

---

### SELECTING THE FIREPLACE LOCATION

When choosing a location, avoid areas prone to excessive moisture or running water. Builders must provide a drainage solution beneath the fireplace **before** installation to prevent water from pooling. Flare recommends installing a sealed, corrosion-resistant drain pan with drainage provisions.

---

### DRAIN PAN REQUIREMENTS

- **Design:** The drain pan should accommodate the fireplace's length to collect all water that may enter the unit.
- **Slope:** A 1/4" (6mm) per foot slope toward the drain port is recommended for effective water removal.
- **Materials:** Use corrosion-resistant metal or materials like ice and water shield membranes.
- **Drainage:** Include piping or weep holes for water to exit the pan.
- **Surface:** The fireplace must be installed on a **level surface** to ensure proper drainage.

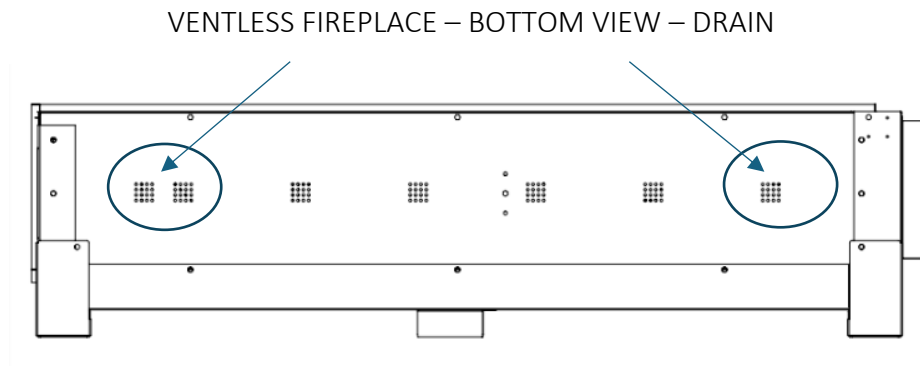
---

### FRAMING ADJUSTMENTS

The framing height must be increased to fit the drain pan and any necessary drainage piping. Additionally, ventilation beneath the fireplace is critical. Provide **70 square inches** of ventilation space to promote airflow and moisture evaporation, preventing long-term issues.

## FLARE FIREPLACE DRAINAGE

Flare units drain through slotted holes located at the center of the fireplace. Refer to the drawing below for details.



---

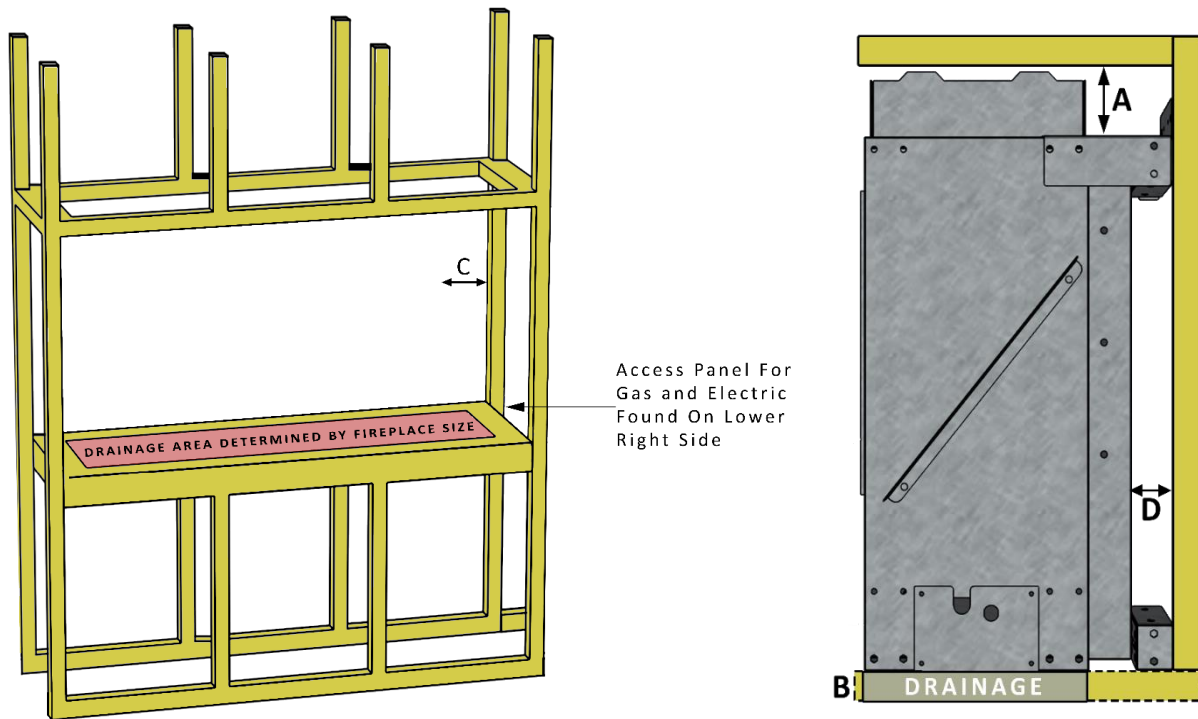
## RECOMMENDED PLATFORM CONSTRUCTION

For optimal drainage, Flare recommends building a rectangular frame-only platform using studs. This design allows water to exit the fireplace and flow to the slope or drain pan below.

**OOCLEARANCES**

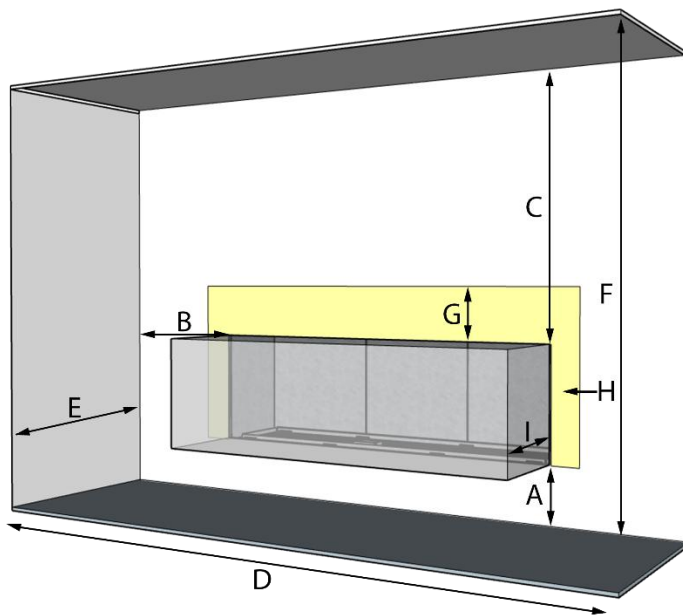
**CLEARANCES TO FRAMING (COMBUSTIBLE AND NON-COMBUSTIBLE)**

LETTER	DESCRIPTION	CLEARANCE TO FRAMING
A	Top	4"
B	Bottom	0"
C	Sides	2"
D	Back	2"



CLEARANCES TO COMBUSTIBLE FINISHING MATERIALS – SINGLE FRONT UNITS

Ventless Finishing Clearances		
Letter	Description	Clearance to Combustibles
A	From the ground or combustible surface (minimum)	11"
B	From the opening to side wall (minimum)	6"
C	Opening to the ceiling (minimum)	36"
D	Alcove width (minimum)	Fireplace length + 12"
E	Alcove depth (minimum)	24"
F	Floor to ceiling (minimum)	90"
G	Cement board above the opening (minimum)	8"
H	Cement board on the sides of the opening (minimum)	2.5"
I	Clearance from face to furniture (minimum)	36"



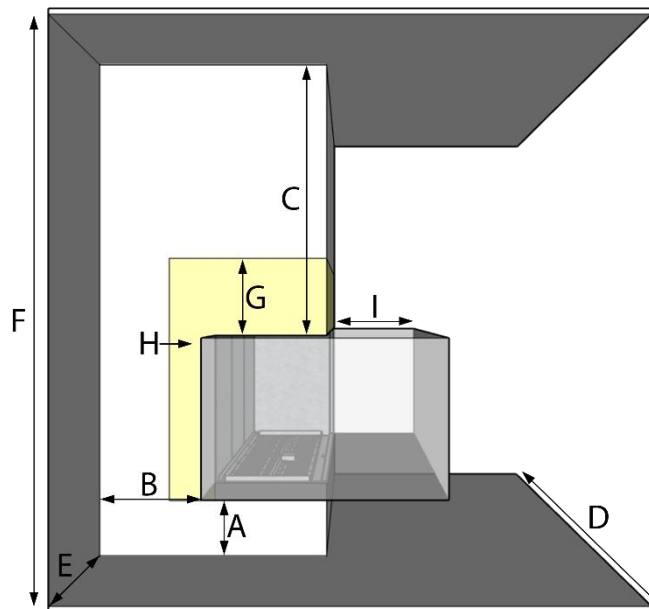
**ATTENTION:** Vinyl Soffit, Vinyl Ceiling, Vinyl Overhang Disclaimer.

- Ventless fireplaces exhaust tremendous heat out of the opening face(s).
- Surfaces may discolor or crack over time.
- Clearances to heat resistant material. This does not include vinyl.
- Flare Fireplaces will not be held responsible for heat damage caused from terminating under vinyl overhangs, vinyl ceilings, or vinyl ventilated/unventilated soffits.

**NOTE:** See installation manual for all clearances and requirements. Type-X is not allowed over opening.

CLEARANCES TO COMBUSTIBLE FINISHING MATERIALS – CORNER STYLE UNITS

Ventless Finishing Clearances		
Letter	Description	Clearance to Combustibles
A	From the ground or combustible surface (minimum)	11"
B	From the opening to side wall (minimum)	6"
C	Opening to the ceiling (minimum)	36"
D	Alcove width (minimum)	Fireplace length + 12"
E	Alcove depth (minimum)	24"
F	Floor to ceiling (minimum)	90"
G	Cement board above the opening (minimum)	8"
H	Cement board on the sides of the opening (minimum)	2.5"
I	Clearance from face to furniture (minimum)	36"



**ATTENTION:** Vinyl Soffit, Vinyl Ceiling, Vinyl Overhang Disclaimer.

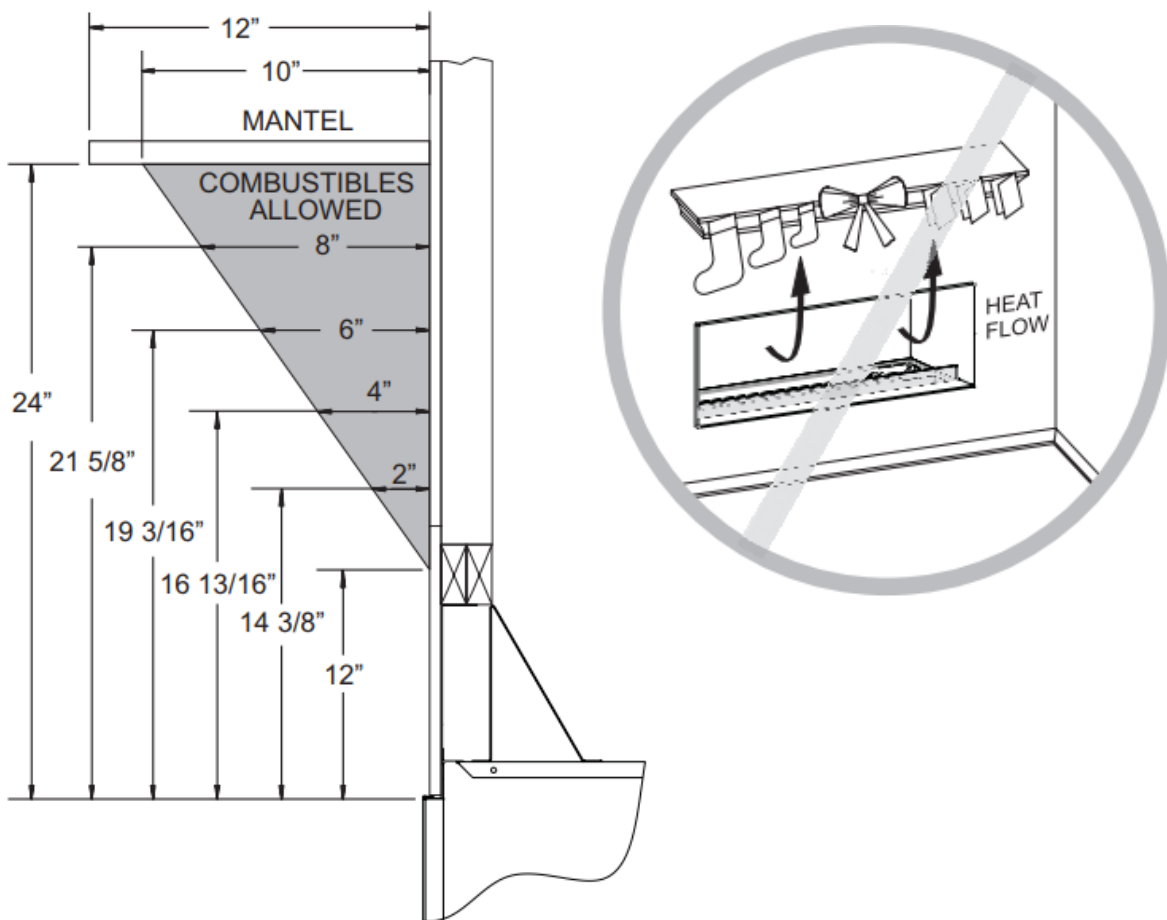
- Ventless fireplaces exhaust tremendous heat out of the opening face(s).
- Surfaces may discolor or crack over time.
- Clearances to heat resistant material. This does not include vinyl.
- Flare Fireplaces will not be held responsible for heat damage caused from terminating under vinyl overhangs, vinyl ceilings, or vinyl ventilated/unventilated soffits.

**NOTE:** See installation manual for all clearances and requirements. Type-X is not allowed over opening.

## MANTEL CLEARANCE

Use of non-combustible material for the mantel is recommended. When using paint or lacquer to finish the mantel, the paint or lacquer must be heat resistant to prevent discoloration.

The Following clearance chart can be used for non-combustible & combustible mantel.



## WARNING

Warning! Do not attach combustible material to the mantel of your fireplace. This is a fire hazard.



## OVERHANG REQUIREMENTS

When creating an overhang directly above the opening of a ventless fireplace all framing and finishing materials must be non-combustible, and the overhang cannot exceed 4 inches.

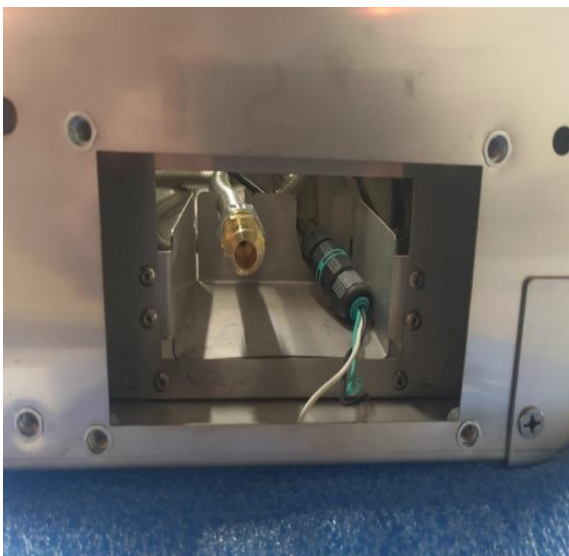
## WARNING

Please note any overhang above the opening of a ventless fireplace will be exposed to extreme heat and poses a burn risk.

## SERVICE ACCESS PANEL:

Ventless fireplaces have a service panel for installing the inlet gas & power. This panel comes on the right side of the unit (when facing it) but can be rerouted to the left side for convenience at the jobsite. This panel can be accessed by unscrewing the 4 screws that hold the panel cover as shown in the picture below. A gas hard pipe will need to be run to the inside of the unit as shown (All future servicing for this unit can be done from within the unit once this step is complete):

The gas hard pipe must be run to the interior of the unit. All flex pipe must be contained within the unit itself.





## ELECTRICAL REQUIREMENTS

- **This fireplace must be operated using a switch-controlled power source.**
- Use only a ground fault interrupter (GFI) protected circuit installed near the fireplace.
- The wiring to the junction box must be metal clad or enclosed in a conduit and must be approved for outdoor use.
- LED and electrical ignition will be using a single 15A 110V GFI protected circuit.
- Use only a ground fault interrupter (GFI) protected circuit with this outdoor gas appliance.
- Ensure you that all power sources have been shut off prior to beginning any electrical work.
- Do not use this appliance if any part has been under water.
- Call a qualified service technician immediately to have the appliance inspected for damage to the electrical circuit.
- Risk of electrical shock or explosion.
- All wiring should be done by a qualified electrician and should follow local codes. In the absence of local codes, use the current csa22.1 Canadian electric code in Canada or the current national electric code ANSI/NFPA no. 70.

## ON/OFF SWITCH

The Flare Ventless Fireplace is an ON/OFF system which uses a 3-wire high voltage whip, which must be wired to a switch-controlled power source. To start the fireplace, the GFCI outlet or GFCI direct electrical connection to the fireplace will need to be energized at 110V. The use of a switched power source (Light switch or timer) is mandatory. To shut the fireplace off, the 110V power will need to be OFF. The GFCI power source to the Fireplace should be controlled by a wall switch and wired by an electrician, to control the 110V outlet or direct power, so that the Fireplace is connected too. The use of a hard-direct wire to the fireplace is the recommended way to hook up a ventless fireplace. The Switch will allow you to stop and start the fireplace as needed.

## WARNING

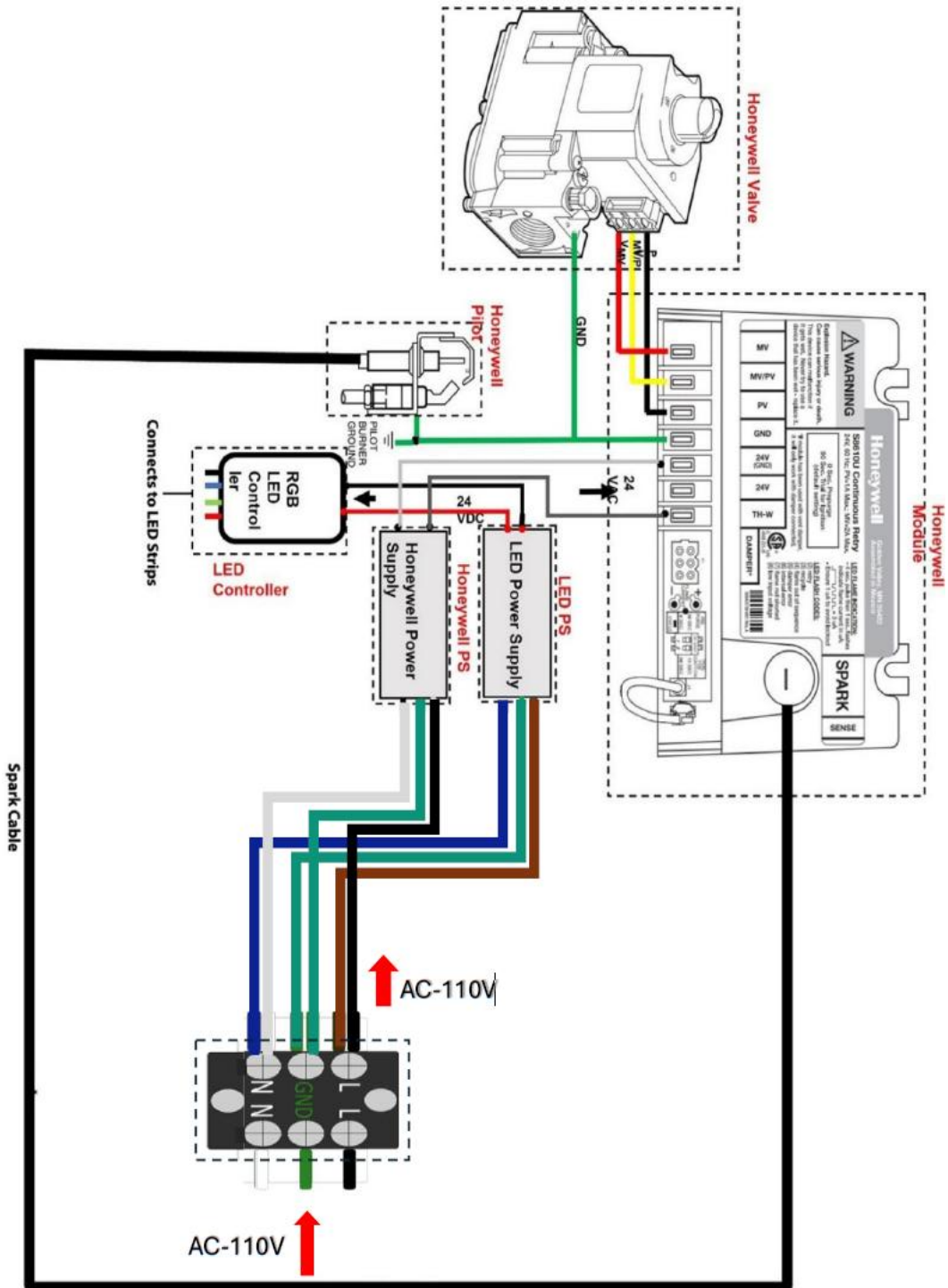
**FIREPLACE MUST BE OPERATED USING SWITCH CONTROLLED POWER SOURCE.** Do not operate the outdoor fireplace using any remote, smart device, or 3<sup>rd</sup> party automation systems. All outdoor Flare fireplaces use an open flame presentation & require its operator to be present for operation of the fireplace

## ELECTRICAL CONNECTION

- 3 wire cable according to the USA standard color Green (GND), Black (Line), white (Neutral).
- 16 AWG up to 10A, AC 110v, dedicated power source is recommended. **GFCI protected 15A.**
- Electric connections are prewired to the control board and can be found in the access panel built into the right side of the fireplace.
- **Power must be wired to a switch for operation.**

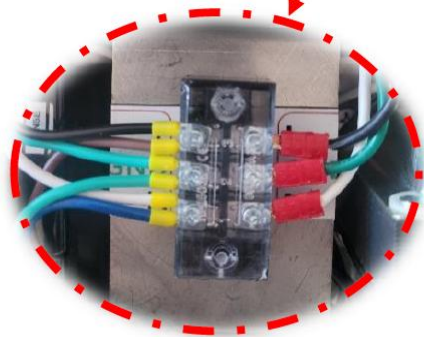
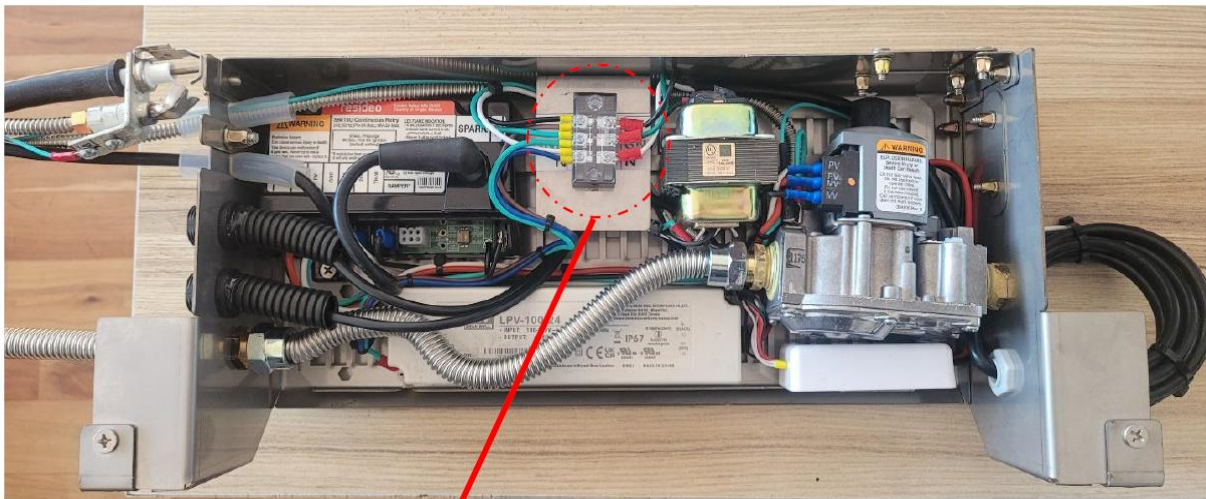
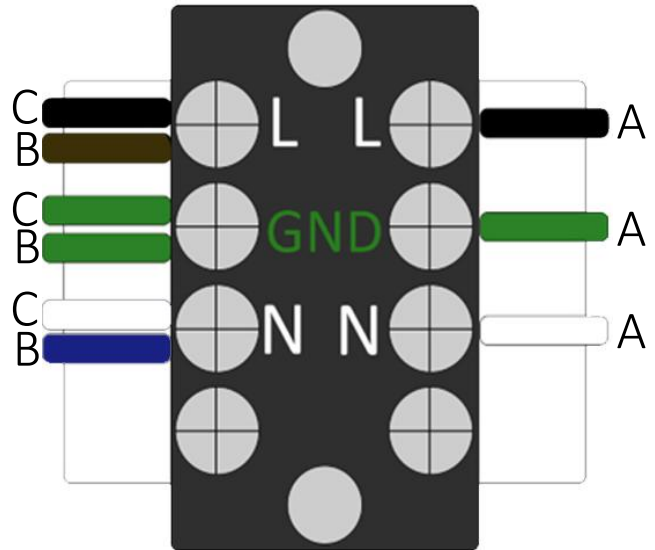


## ELECTRICAL DRAWING



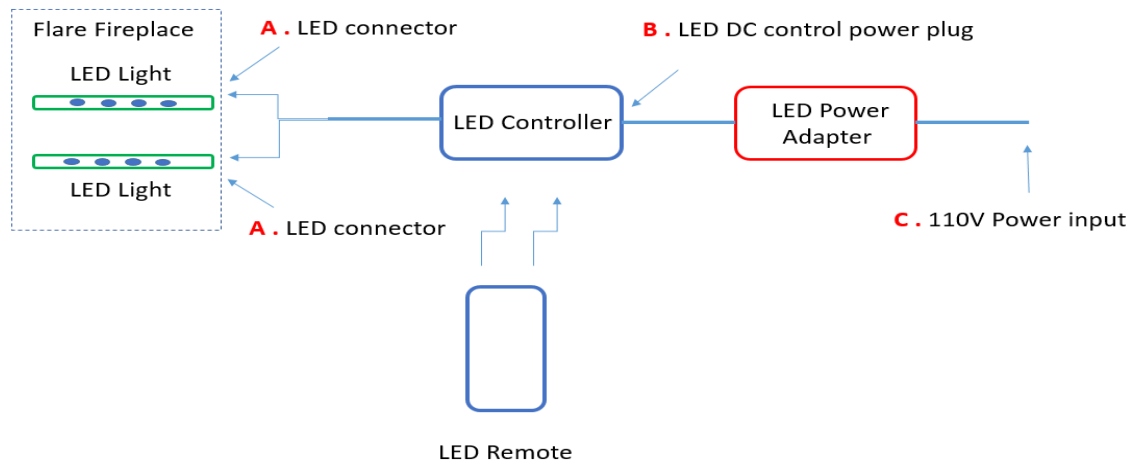
POWER BRIDGE

- A. Power Source
- B. RGB LED Power
- C. Honeywell Transformer Power



## RGB LED LIGHTS

The Flare Fireplace is shipped with a multi-color interior RGB LED lighting installed and connected. The lights allow perfect flames to be viewed across a bed of illuminated crushed glass.





---

## GAS CONNECTION

The gas appliance is designed to operate with **Natural gas** or **Liquid propane** gas. **Verify the fireplace you have is set to operate with the input gas type for your installation. Convert your unit if needed.**

Ensure that the flexible connector is protected from damage. The gas supply pipe must be sufficiently sized to supply the MJ/h specified on the rating plate, based on the length of the piping run. Verify with your local plumber and code what size your input pipe needs to be. The fireplace is designed to accept a 1/2 " . gas line. Have the line installed by a qualified service person in accordance with all building codes. Consult local building codes to properly size the gas supply line leading to the 1/2 in. hook-up at the unit. The state of Massachusetts requires that a flexible fireplace connector cannot exceed three feet in length.

**Manual Gas Shutoff** – A manual shutoff valve must be installed and is not provided as part of the fireplace installation kit. Choose a location for gas shutoff valve. Make sure the manual shutoff valve is easily accessible and visible next to the outdoor fireplace and according to the local code requirements.

**Gas Pressure** – Make sure the fireplace gas pressure meets the following requirements:

**Natural Gas:** 7-8 W.C

**Liquid Propane LP:** 10-11 W.C

## LIQUID PROPANE GAS CONVERSION

Conversion to LP (Propane) Gas can be done to all of Flare Fireplaces outdoor fireplaces.

## WARNING

All Gas conversion must be performed by a licensed gas fitter, and all connections must be leak evaluated before operating the appliance.

PROPANE GAS CYLINDER/TANK – DIRECTLY CONNECTED TO FIREPLACE

**WARNING**

The flare fireplaces ventless fireplace was not designed or intended to be connected directly to a gas liquid propane cylinder.



- Contact Flare Fireplaces support for gas conversion kits for all fireplaces.
- The outdoor fireplace was not designed or intended to be connected directly to a gas LP cylinder.
- Connecting the outdoor fireplace directly to a cylinder or storing a gas liquid propane tank/cylinder in the fireplace chase is not allowed.
- The fireplace can be connected and operated using liquid propane regulated plumbing.
- Make sure to check and verify the fireplace has been converted to LP, using Flare fireplaces LP conversion kit.
- Use the attached product label to confirm the fireplace is set for the expected gas type.

**WARNING**

**CONNECTION DIRECTLY TO AN UNREGULATED L.P. TANK CAN CAUSE AN EXPLOSION**  
CONNECTION THE FLARE FIREPLACES VENTLESS DIRECTLY TO A CYLINDER OR STORING A GAS LIQUID PROPANE TANK/CYLINDER IN THE FIREPLACE CHASE IS NOT ALLOWED AND NOT COVER UNDER THIS MANUAL.



## MEDIA ARRANGEMENT

Flare Fireplace can be equipped with different media types. While ceramic logs, stones, or branches can be used. Flare does not recommend their usage since these ceramic-fiber based options will break down much quicker when exposed to the elements. Because of this, we recommend only using Fireglass within your outdoor fireplaces. Follow the instruction below for information on how to add and arrange media in your Fireplace:

- Do not place any type of media on the pilot or in front of the pilot. Keep 1" distance from the pilot to allow correct operation of the pilot.
- Media can be put over the Flare burner. Avoid placing media over the main burner ports as it may disrupt flames by causing a clogged port.
- Keep the pilot front cover view open to be able to view the pilot spark and flame from outside.

---

## FIREGLASS

- ¼" or ½" Fireglass may be used.
- When the fireplace window is open, and media is placed, make sure Fireglass does not fall on the ceramic glass lower frame as that may cause breakage when putting back the ceramic glass.
- Make sure the pilot is clear of any Fireglass particles.
- Fireglass can be put safely into the firebox. Avoid overloading the burner with Fireglass, specifically over the main burner's ports.
- Use the manual for instructions on how to remove and arrange the fireplace media.

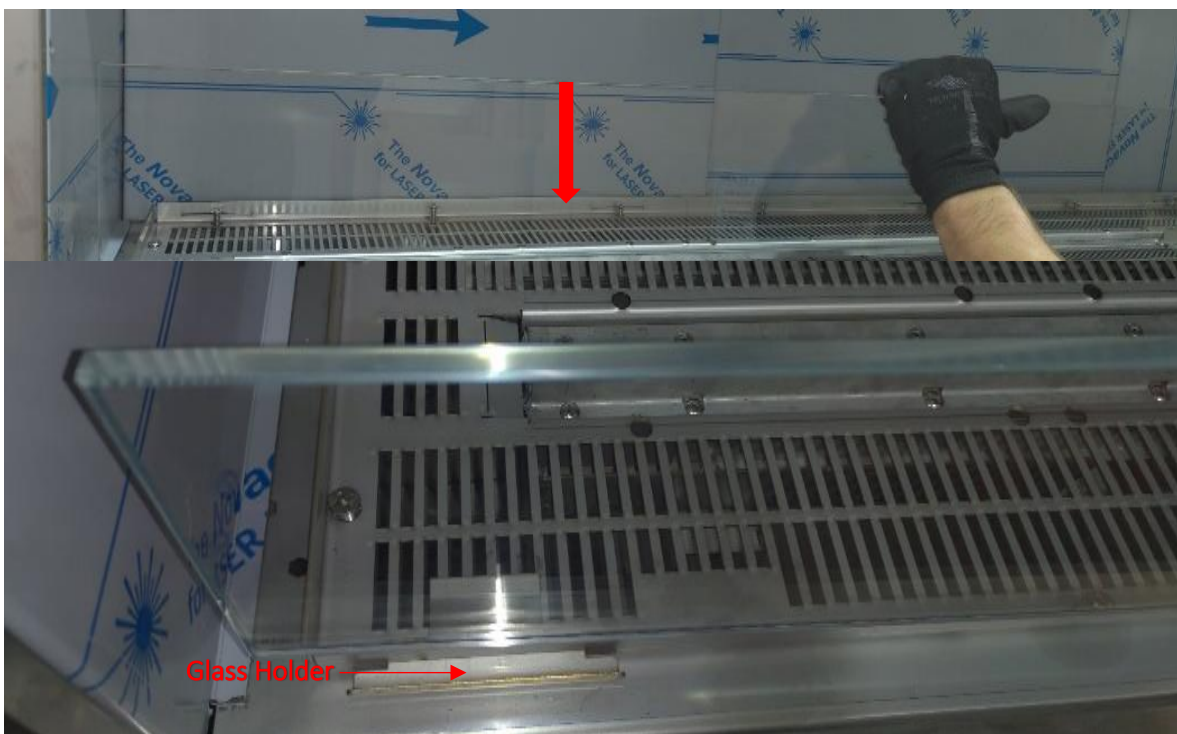
## WARNING

**Choking hazard!** Ensure that the fireplace area is clear of fire glass particles as these could be ingested by small children. Vacuum area after installation.

## WIND GUARD INSTALLATION

The wind glass guard has been designed to protect and save the flame from being affected by the wind during operation, the following pictures show the installation process.

- Place the glass into the glass holder as shown in the picture below. Wind guard glass may have 2 or 3 holders for each part, it depends on the length of the fireplace.



- Tighten the screws of the glass holder using a power screwdriver as shown in the pictures below.



## WARNING

\*Do not increase the height of the wind guard or fireplace will overheat, damaging the fireplace, its components, and the surround.



---

## OPTIONAL HEAT SHIELD

The Flare Ventless Outdoor fireplace will ship with an optional heat shield that can be placed between the flame and the wind guard glass panel to help keep the wind guard from getting too hot.

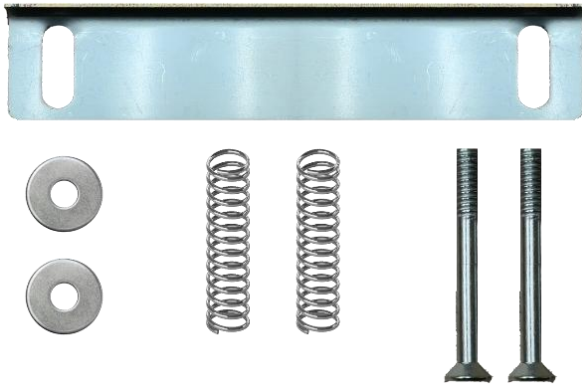


## REFLECTIVE BACK INSTALLATION

Every ventless outdoor Flare fireplace can have reflective back and side panels installed within it, this can be achieved both before and after installation. The following will outline the parts and necessary steps to successfully add the reflective back and side panels to your outdoor ventless Flare fireplace.

### PARTS

These components will ship attached to their anchor points within the top back or sides of the fireplace or in an attached bag found within the fireplace crate. Each set is made up of a metal bracket, two screws, two washers, and two springs you can use to cover the top of each panel and secure it to the back or sides of the fireplace body.



---

## INSTALLATION

Use, at a low speed, a power drill to loosen the already attached back and side brackets within your fireplace. Once the bracket is loose use industrial suction cups to lift the glass panel up behind the bracket and set into position within the lower channel at the back or sides of the bottom of the fireplace body. Once you have done this for each screw hold the bracket to the top of glass panel, against the fireplace body and using a drill, set at low speed, gently tighten the bracket against the glass to secure into position as seen below.



**Note:** do not over tighten the screws holding your reflective back brackets in position. The springs exist to allow flex in the bracket needed when the fireplace heats up and cools down. Over tightening removes this flex and can lead to glass breakage.



**REPLACEMENT PARTS LIST**

Please contact your fireplace dealer to purchase any replacement part. Please be sure to provide the description and part number. Please make sure to use a certified installer for any service related to your fireplace.

NAME	DESCRIPTION	SKU
Honeywell Spark Cable	Ignition cable	1HWSPS
Honeywell Spark Cable Extended 36"	36" ignition cable extension	1HWSCL
Honeywell Pilot Compression Fitting	Brass pilot connector	10HWPC
Honeywell Data Cable	Data cable	100HWF
Honeywell Pilot Assembly	Pilot assembly	10HWPA
Honeywell Transformer	Main power transformer	100HWT
Honeywell Valve	Gas valve	100HWV
Ventless Honeywell V1 Control Board	V1 Inner Board for Power Distribution	100HWBV1
Ventless Honeywell V2 Control Board	V2 Inner Board for Power Distribution	100HWBV2
Honeywell Control Module (Pilot Interrupter)	Pilot interrupter (receiver)	100HWR
Honeywell - Pilot Orifice NG	Natural gas pilot orifice	HWPORNG
Honeywell - Pilot Orifice LP	Liquid propane pilot orifice	HWPORLP
Honeywell - Pilot Flex Line	Flex line for running from valve to pilot	10HWPF
Complete Honeywell System	Gas valve system, receiver, wiring	1HWCVS
LED Power Supply	24V DC power supply	1RGBPS
LED Wiring Harness	Wiring from strips to LED controller	1RGBYC
RBG LED Controller	RGB Controller and Remote	1RGBCR
RGB LED Strip	RGB led light strip	1RGBLS
Gas Flex Line-Long	1/2" gas flex line	10GFLL
Gas Flex Line-Long	3/8" gas flex line	10GFLS
Honeywell Technicians Toolbox	Most common replacement parts	HWTOOLBOX



---

## MAINTENANCE

### WARNING

- It's recommended a qualified service technician perform a routine inspection at the beginning of each heating season.
- Disconnect power before attempting maintenance or repair of the fireplace.
- Installation and maintenance must be performed by an authorized qualified installer, service agency or gas supplier.
- Any safety screen or guard removed for servicing should be placed in the back before operating this appliance.
- Do not use this appliance if any part has been under water. Immediately call a qualified service technician to inspect the unit and to replace any part of the control system and any gas valve that has been under water.
- Any alteration to the product that causes soot or carbon to form and results in damage is not the responsibility of the manufacturer.
- Do not modify or substitute any part of this appliance.



## YEARLY SERVICE PLAN

Failure to inspect and maintain the fireplace may lead to improper combustion and a potentially dangerous situation. We recommend the following procedures be done by a qualified technician.

---

### GLASS MAINTENANCE

- Always use gloves when removing the glass to protect your hand and prevent fingerprints on the glass.
- DO NOT USE abrasive cleaners on the glass panels. DO NOT ATTEMPT to clean the glass panels when they are hot.
- Do not use normal household (usually ammonia-based) glass cleaners to clean the glass as these cleaners can leave a permanent stain. Only a gas fireplace glass cleaner should be used.
- Verify no cracks or breakage in the glass.
- Place glass in a safe location to prevent breakage.
- Never attempt to operate the fireplace without the fireplace glass.

---

### PILOT MAINTENANCE

- Visually inspect the pilot flame. The pilot flame should always be present when the fireplace is in operation.
- Make sure the pilot flame has two flame tips pointing to the flame sensor (thermocouple) and to the center of the burner.
- Make sure the pilot area is clean from any dust, media or any other debris that may disrupt the operation of the ignition system. Lint or foreign material must be removed with a brush or vacuum.
- Verify fireplace ignition using the power plug option of your choice. Verify electronic ignition, sparking sequence, pilot operation and burner ignition.

---

### BURNER MAINTENANCE

- The flames from the burner should be visually checked. The flame should have a blue base and yellow tops and be candle-like in appearance.
- If excessive soot is found inside the firebox area, the fireplace will require adjustment. Verify the air shutter and vent restrictor setting and document any changes.
- If the flame becomes sooty, dark orange in color, or extremely tall, do not operate the heater.
- Measure gas pressure. Inlet \_\_\_\_\_ W.C., Outlet \_\_\_\_\_ W.C.



---

## MAINTENANCE LOG

The service technician should use the following document. A copy should be kept with the technician and owner for future reference

Service Date: \_\_\_\_\_

### UNIT INFORMATION

Model Type and Size: \_\_\_\_\_

Serial #: \_\_\_\_\_

### OWNER INFORMATION

Name: \_\_\_\_\_

Address: \_\_\_\_\_

### TECHNICIAN INFORMATION

Name: \_\_\_\_\_

Company Name: \_\_\_\_\_

Technician NFI #: \_\_\_\_\_

### SERVICE INFORMATION

---

Yearly Maintenance: \_\_\_\_\_

Other: \_\_\_\_\_

Details: \_\_\_\_\_

---



## WARRANTY POLICY

Flare Fireplaces subjects every fireplace and component to rigorous testing to verify it is free from any defects before it leaves our warehouse. Flare Fireplaces photographs and documents the fireplace and all components' moments before shipping them to our nationwide network of authorized dealers for installation, verifying full operation of the fireplace and all components. Our factory is supervised by CSA and subject to the highest operating standards.

### 18 MONTH COMPREHENSIVE WARRANTY

Effective beginning 18 months from the **original date of purchase from an authorized Flare Fireplaces Dealer**, our Comprehensive Warranty includes replacing or repairing any defective electronic components. These parts include the following components:

- Gas Valve
- Receiver
- LED Lighting Strips, Remote, & Controller
- Authorized Media

**This warranty does not apply to any component that shows evidence of misuse, abuse, improper installation, exposure to water or moisture, excessive heat, dust, or paint.**

### LIMITED FIVE-YEAR COVERAGE

Effective for five years from the **original date of purchase**, Flare Fireplaces Limited Five-Year Coverage includes replacing ceramic glass. This coverage is covered under the following circumstances:

- Thermal Breakage Only

**This coverage is void if the glass is damaged due to improper cleaning. This includes using ammonia or detergent based cleaning solvents or solutions instead of lukewarm water and a lint free cloth. Other products may leave streaking or a honeycomb shaped stain on your fireplace glass.**

### LIMITED 10-YEAR COVERAGE

Limited Lifetime Coverage is extended to the following components:

- Firebox
- Burner



## CONDITIONS

- **Warranty coverage begins on the date of original purchase.**
- Minor warping of certain components or discoloration is normal and is not considered a defect that is covered under this warranty. Major disruption and buckling of parts can be caused by over-firing of your fireplace. Over-firing above the rated value specified in the manual is contrary to the manufacturer's instructions and may void this warranty.
- All installations must be performed by a qualified technician in accordance with applicable local and national requirements.
- Installations must be done in accordance with the Flare Fireplaces installation manual. The Limited Warranty applies only if the product is installed in the United States or Canada and only if installed, operated, and maintained in accordance with the attached product manual.
- It is the responsibility of the installer to ensure the appliance is firing per the rating plate.
- Any part that is found in our judgment to be defective shall be repaired, replaced, or refunded at Flare Fireplaces' option.
- This warranty only covers appliances that are purchased through a Flare Fireplaces authorized dealer or distributor.
- The warranty is only valid while the appliance remains at the site of original installation.
- Flare Fireplaces does not install or provide installation services. The installation of the fireplaces must be done by an authorized installer. The fireplace's limited warranty does not cover the installation service, or any part related to the installation of the fireplace or surroundings of the fireplace and venting.
- **Contact your dealer for a warranty service.** If the dealer is unable to provide necessary parts, contact the nearest Flare Fireplaces authorized dealer or supplier.



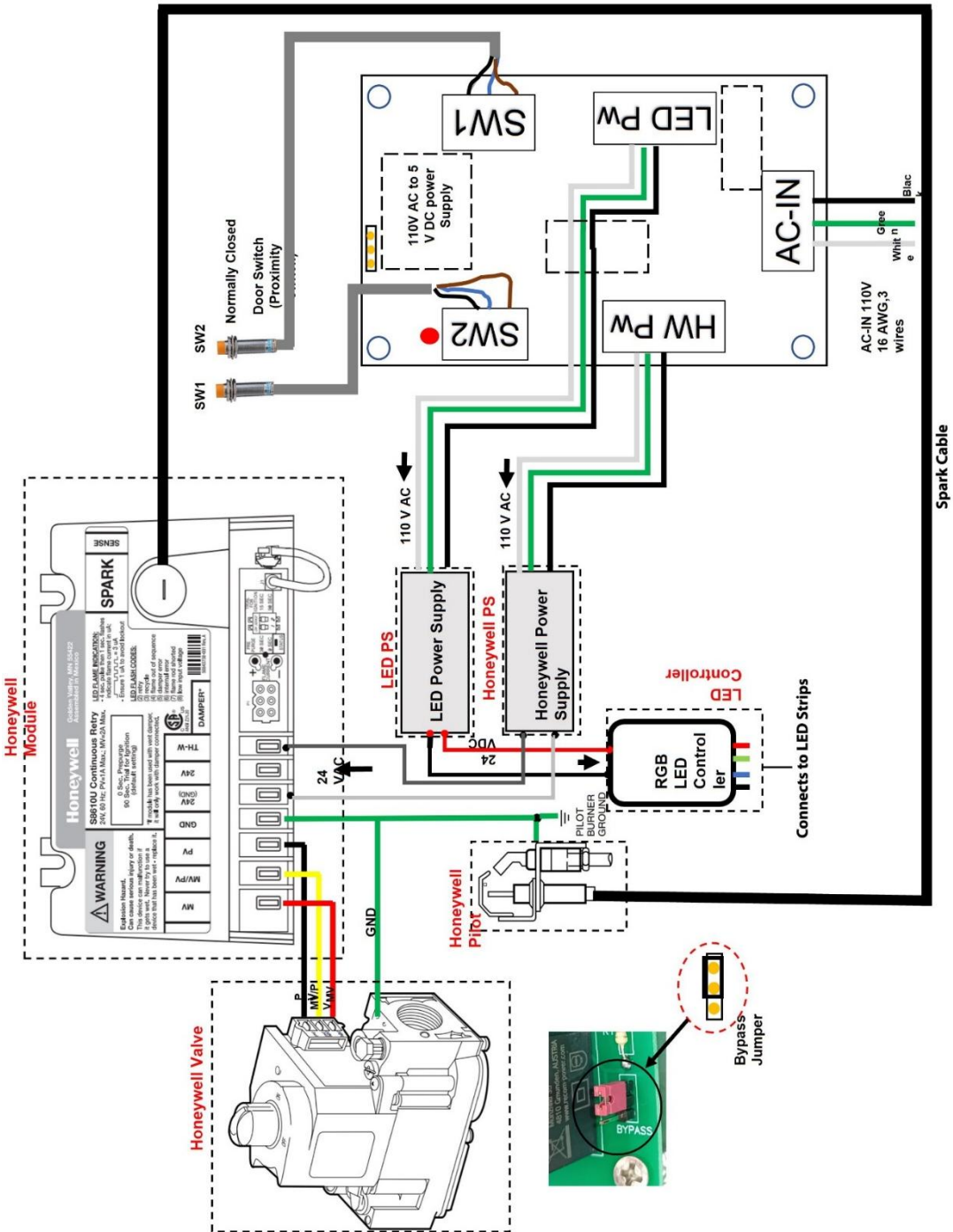
## EXCLUSIONS

- This warranty does not apply to any component that shows evidence of misuse, abuse, improper installation, accident, or lack of maintenance.
- Flare Fireplaces are not responsible for televisions, mantels, surrounds or finishing material around the fireplace.
- Flare Fireplaces is not responsible for installation, operational or environmental conditions beyond our control.
- Flare Fireplaces shall in no event be liable for any special, indirect, or consequential damages of any nature which are more than the original purchase price of the product.
- Flare Fireplaces may at its discretion discharge all obligations by refunding the wholesale price of the defective part.
- This warranty may not be extended or modified by our dealers or representatives.
- The Limited Warranty only covers parts and labor as provided above. Flare Fireplaces will not be responsible for materials, components, or construction, which are not manufactured or supplied by Flare Fireplaces or for the labor necessary to install, repair or remove such materials, components, or construction.

## WARRANTY VOID WHEN...

- An unauthorized media type is used in the firebox.
- The appliance has been over-fired or operated in atmospheres contaminated by chlorine, fluorine, or other damaging chemicals. Over-firing can be identified by, but not limited to, warped plates or pipes, rust colored iron or bubbling, cracking and discoloration of steel or enamel finishes.
- The appliance is subjected to prolonged periods of moisture or condensation.
- There is any damage to the appliance or other components due to water or weather damage, which is the result of, but not limited to, improper chimney or venting installation.
- Holes have been drilled into the fireplace for some reason.

## LEGACY ELECTRICAL DIAGRAM



## LEGACY VENTLESS POWER BOARD

Ventless Fireplaces have a small electronic Board installed inside the ventless box. It's used to manage and control the Electric Draw from the Source power to the Honeywell Valve.

1. **Power Source:** Electrical power input 110V AC.
2. **LED Power:** Power output to led power supply
3. **\*Honeywell Power:** 110V Honeywell power output to transformer.
4. **LED LD1:** LED power-input indicator(red light).

