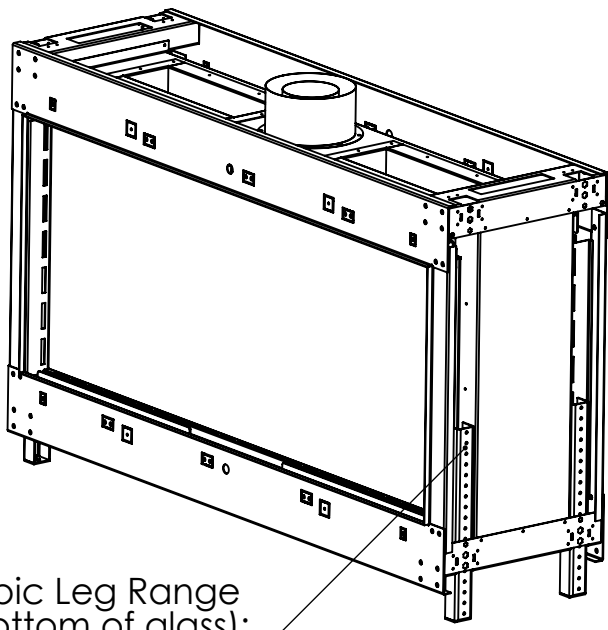
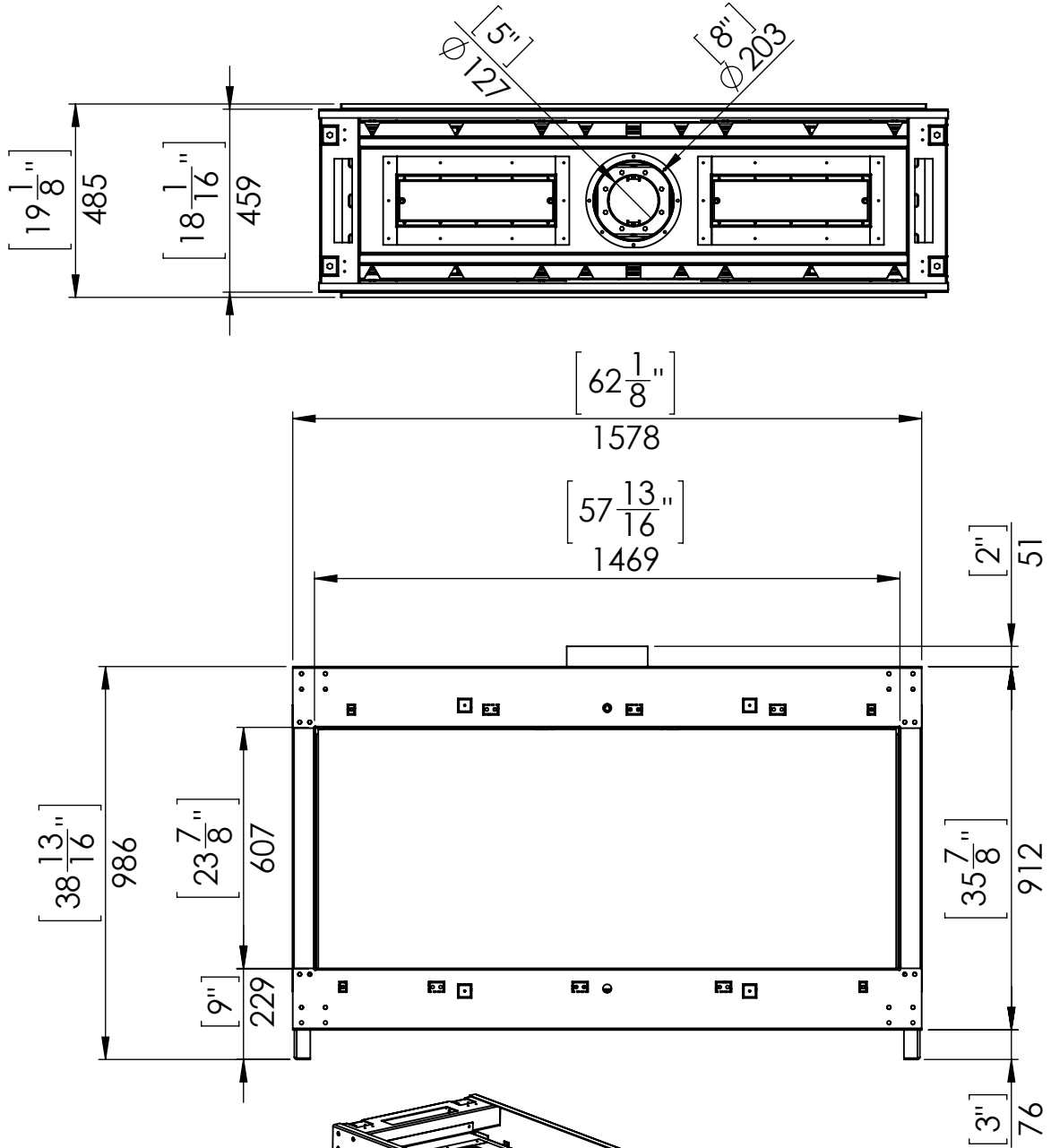
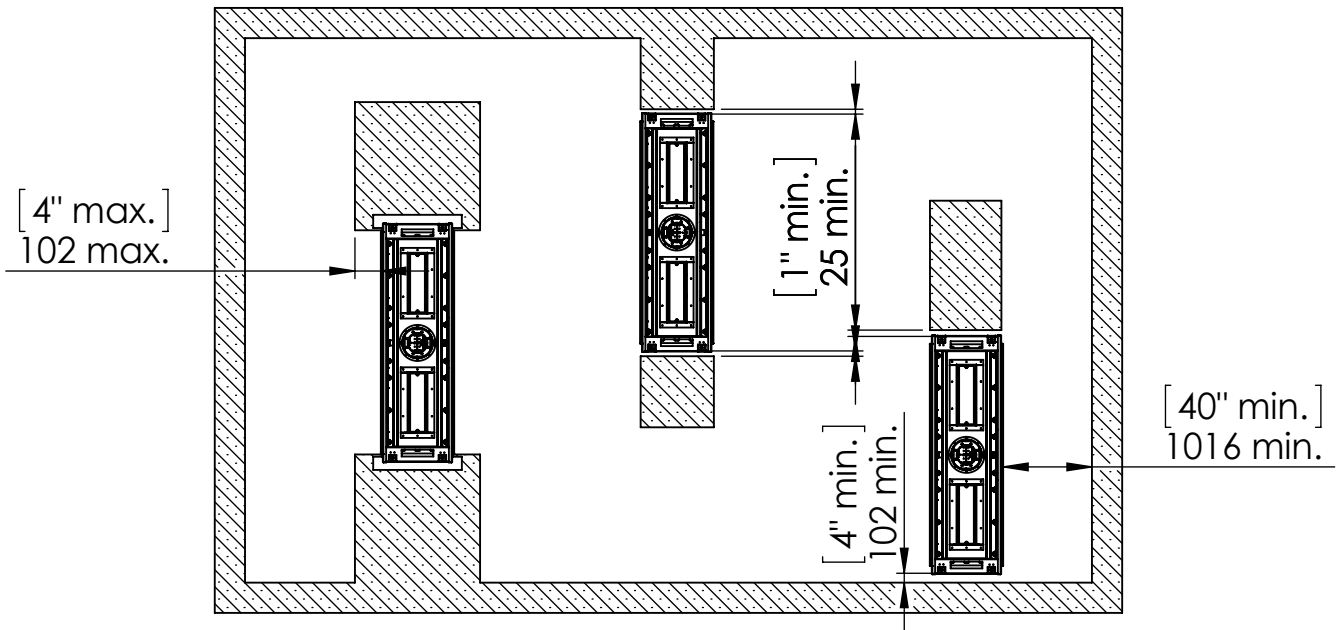


# FLARE See Through 60H



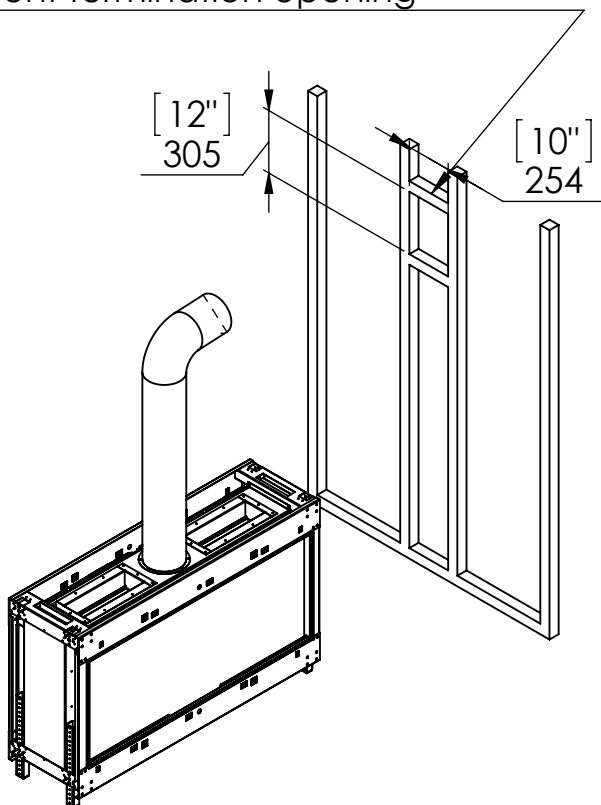
Telescopic Leg Range  
(from bottom of glass):  
9" - 19"



## Chimney Installation

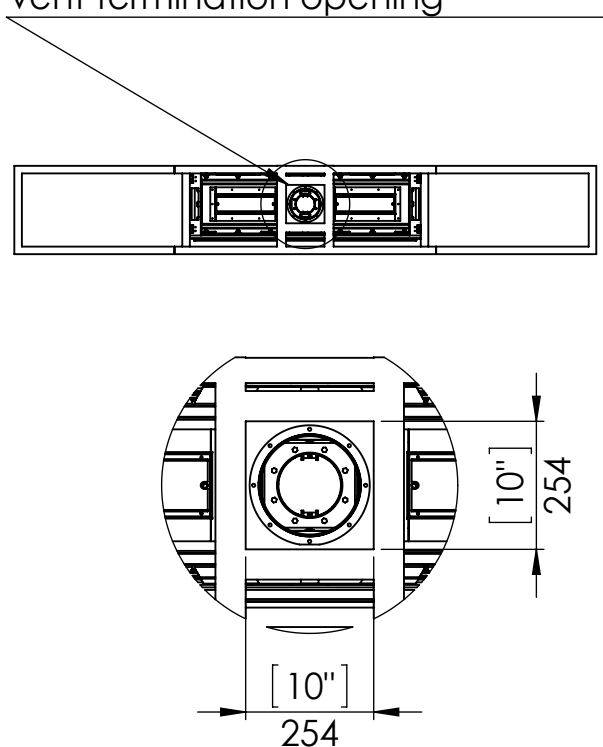
### Horizontal Termination

For 5 x 8 vent size create 10" x 12" vent termination opening

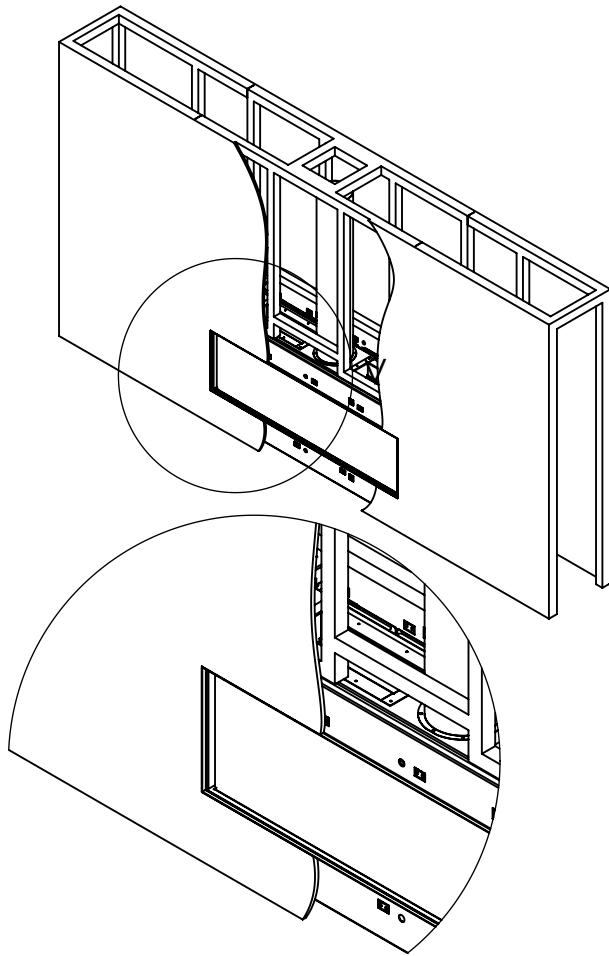


### Vertical Termination

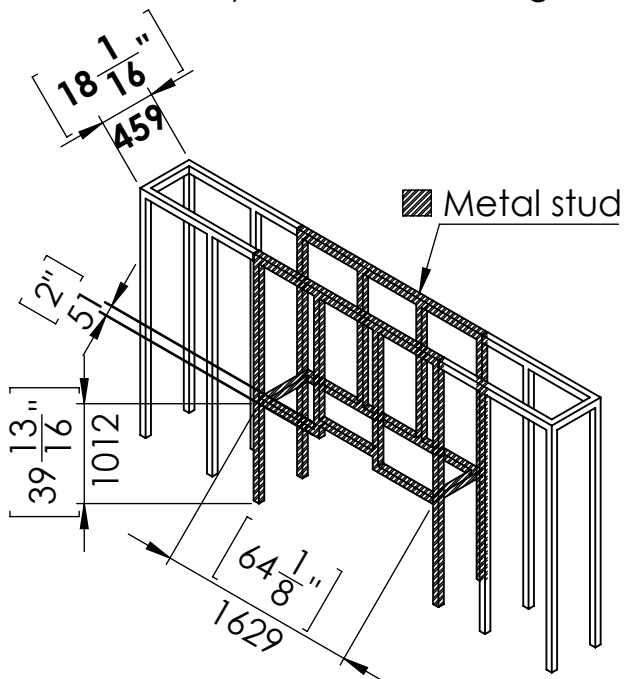
For 5 x 8 vent size create 10" x 10" vent termination opening



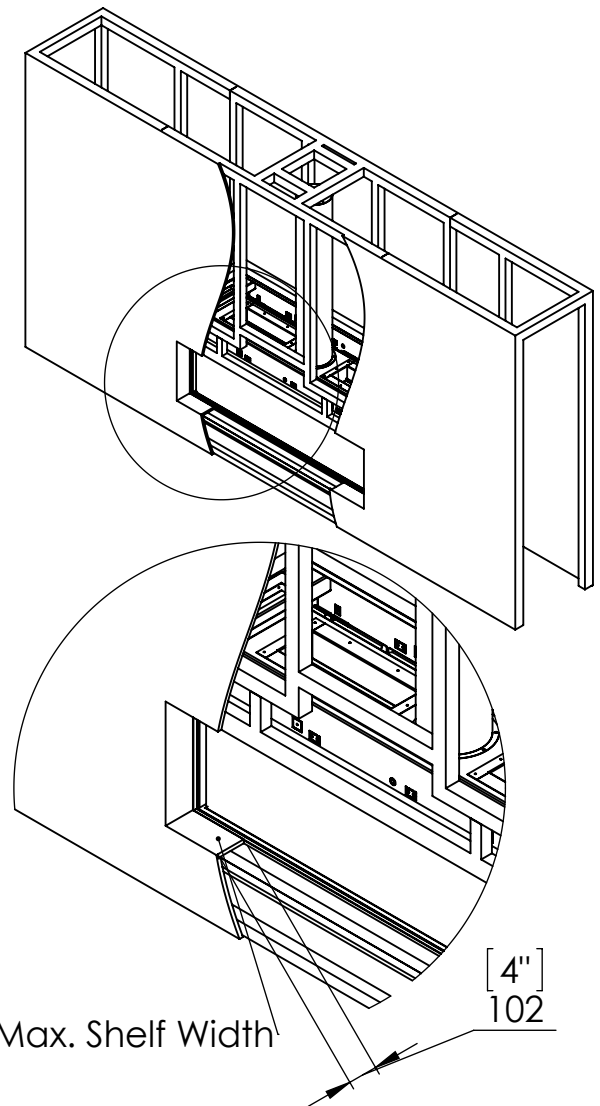
## Flat Installation



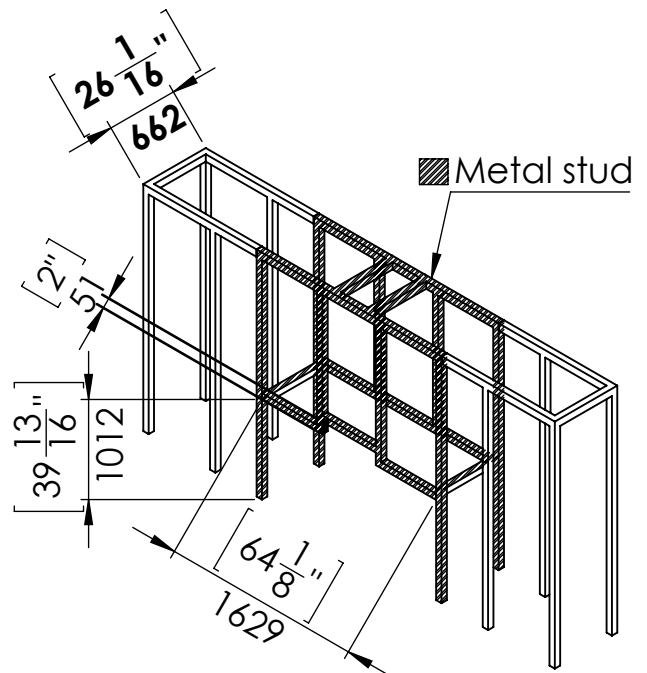
Step 1 - Basic Framing :



## L Shape Installation

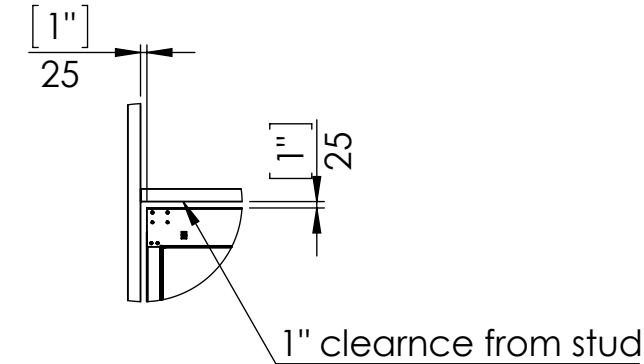
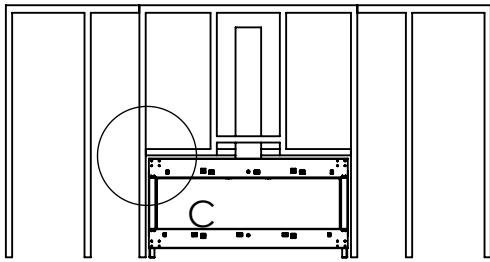
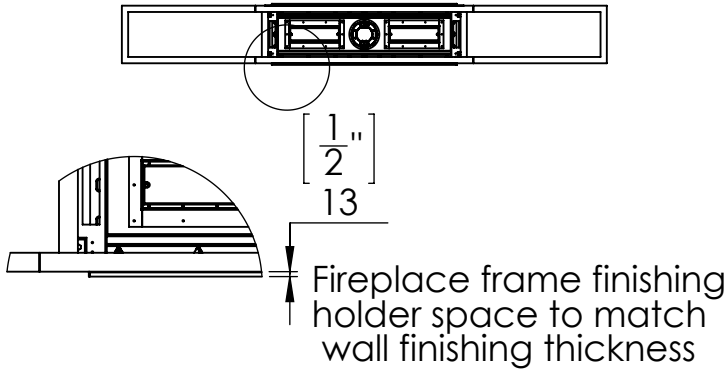


Step 1 - Basic Framing :

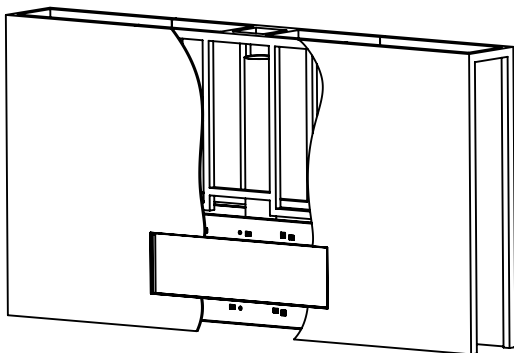


## Flat Installation

Step 2 -Positioning the Fireplace:

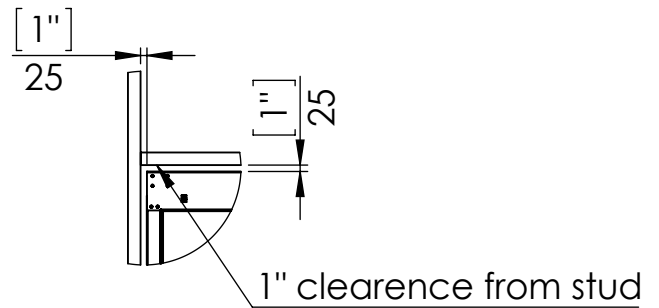
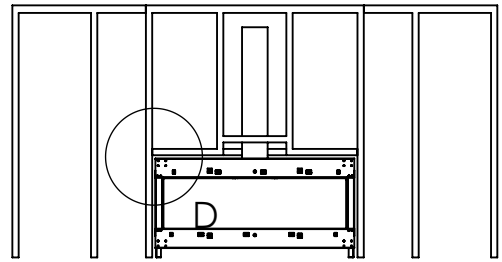
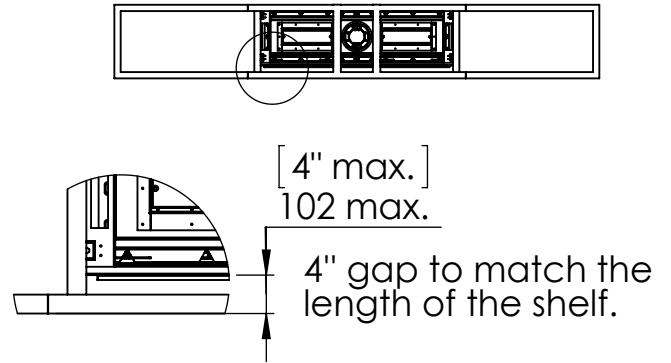


Last Step - Finishing The Fireplace Wall:

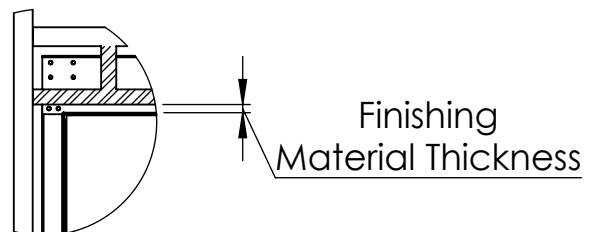
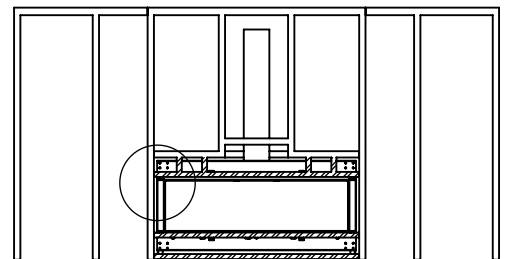


## L Shape Installation

Step 2 -Positioning the Fireplace:

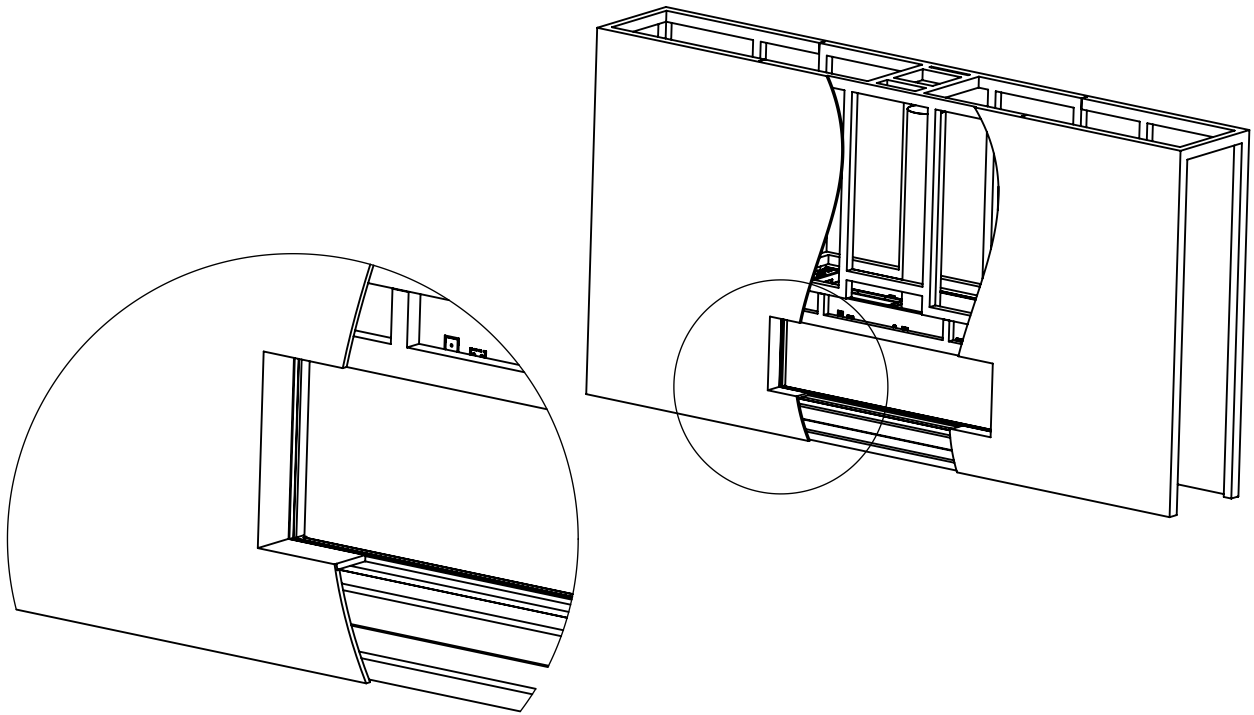


Step 3 - Framing Front Studs For L Shape:



## L Shape Finishing Install

Last Step - Finishing The Fireplace Wall:



## Specifications for Appliance Flare See Through 60H

| Factor                  | NG            | LPG                  |
|-------------------------|---------------|----------------------|
| Burner Type             | 35,55,35      | 35,55,35             |
| Orifice                 | 550,650,550   | 160,160,160          |
| BTU Max.                | 50000         | 41000                |
| BTU min.                | 28000         | 20000                |
| Kw/h                    | 14.6k         | 10.2k                |
| Chimney DIA.            | 5X8           | 5X8                  |
| Manifold Pressure[w.c]  | 3.3           | 10.4                 |
| Efficiency rate         | 77            | 80                   |
| Glass Size Length\Width | 1450 X 620 mm | 57" 1/16 X 24" 9/16' |
| Appliance Weigh         | 190Kg         | 418lb                |