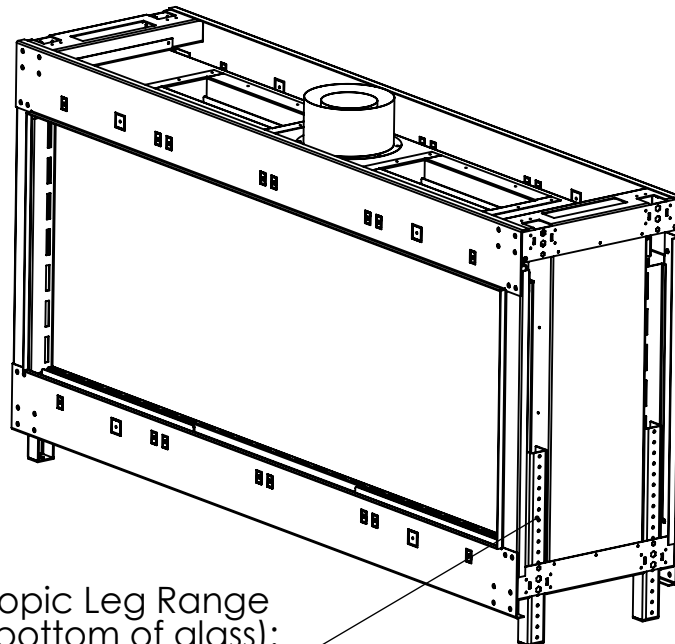
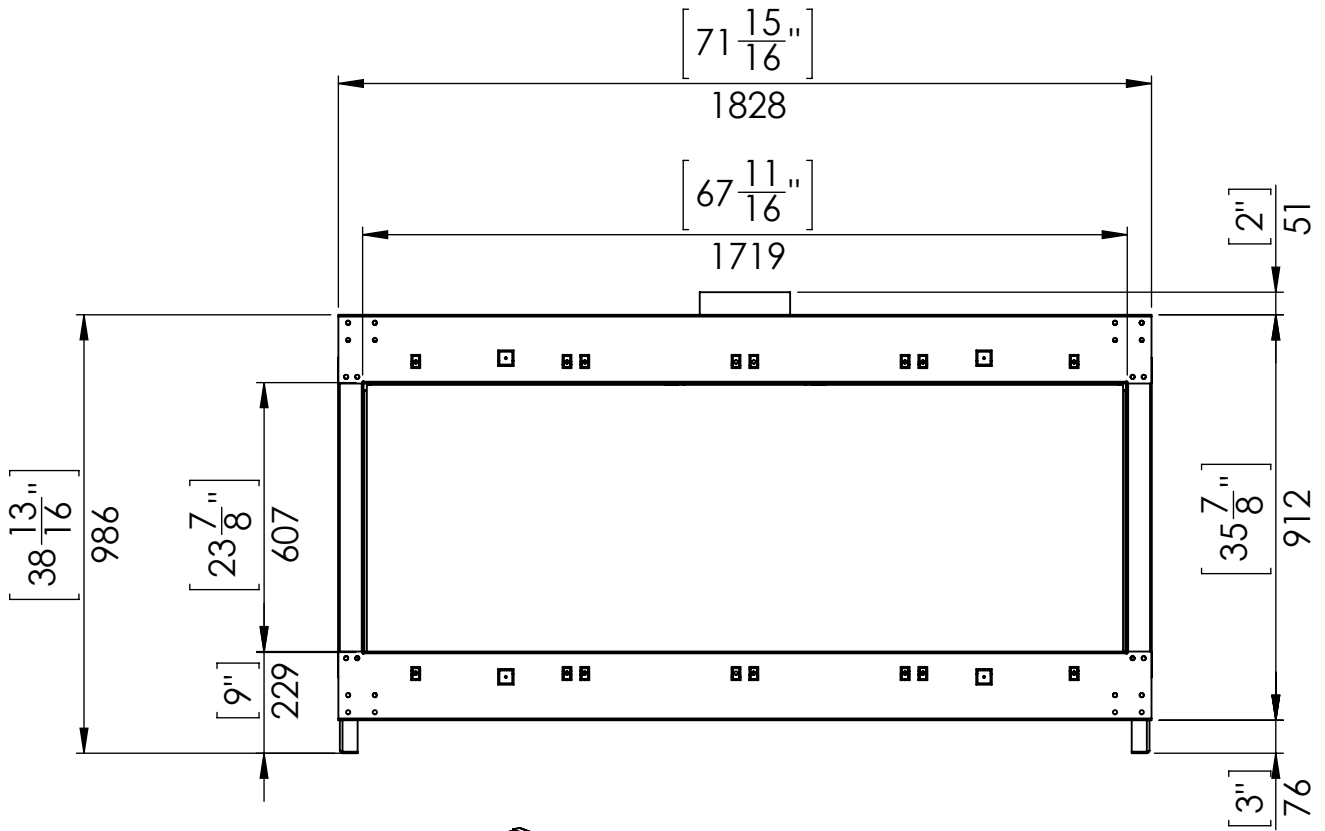
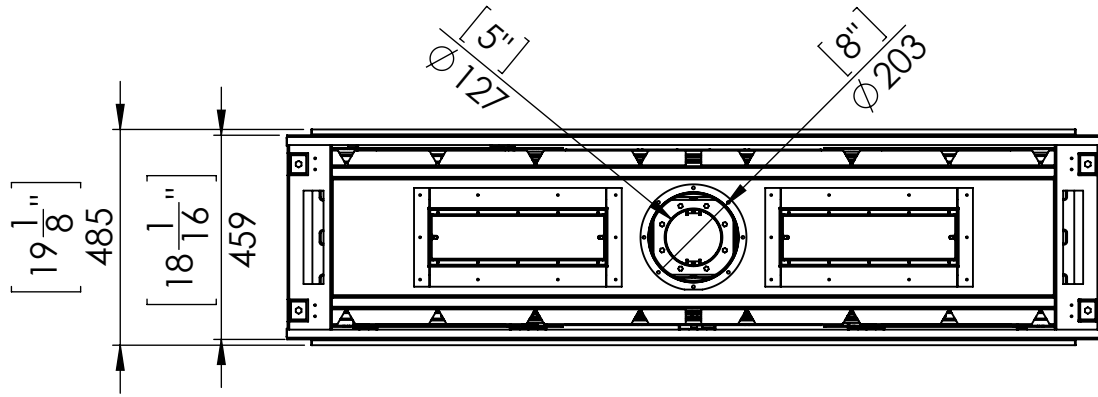
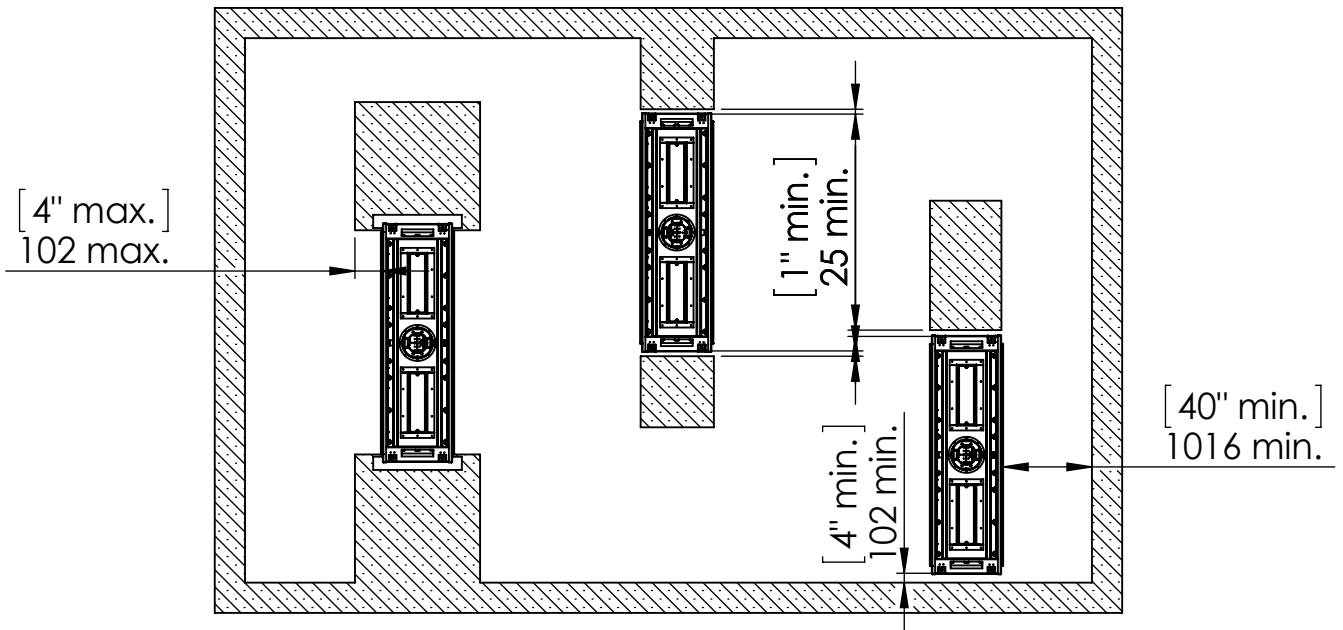




FLARE See Through 70H



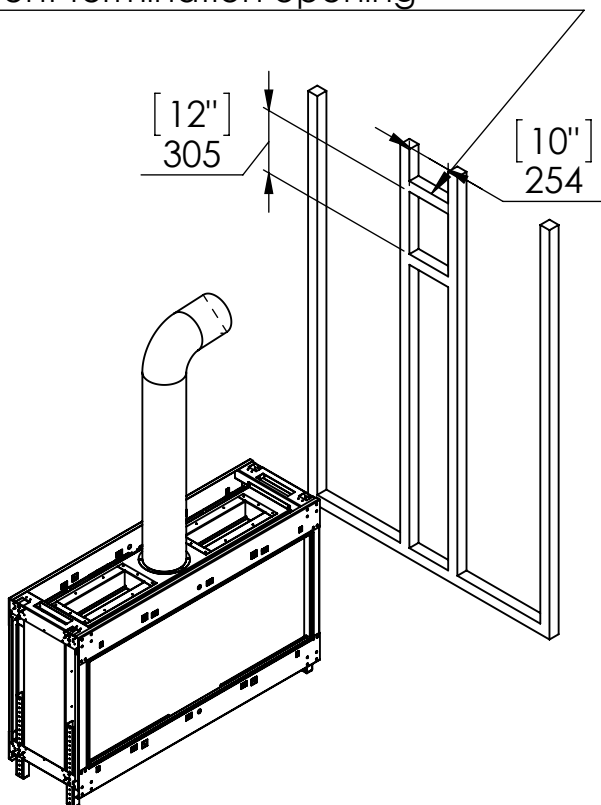
Telescopic Leg Range
(from bottom of glass):
9" - 19"



Chimney Installation

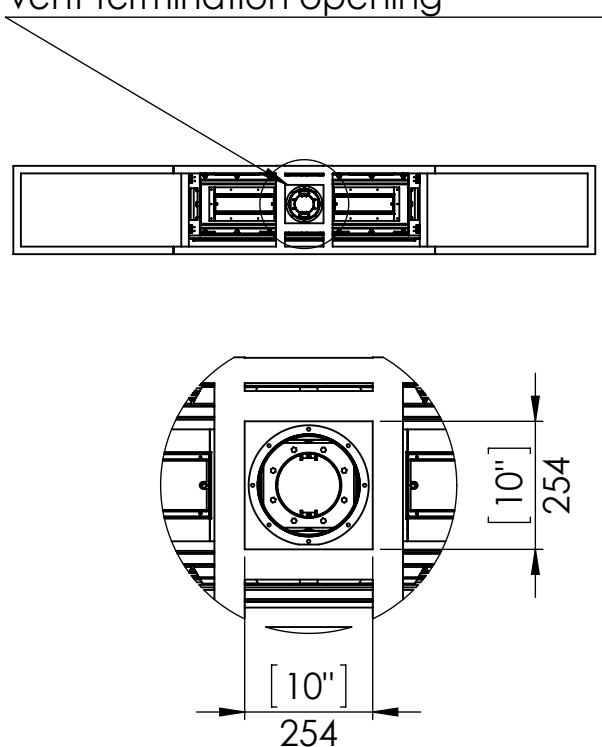
Horizontal Termination

For 5 x 8 vent size create 10" x 12" vent termination opening

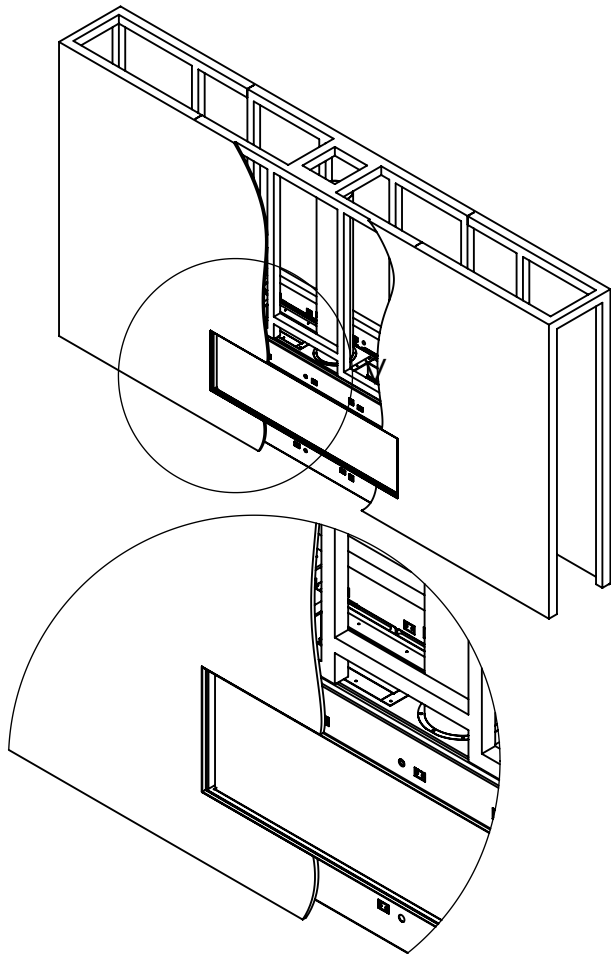


Vertical Termination

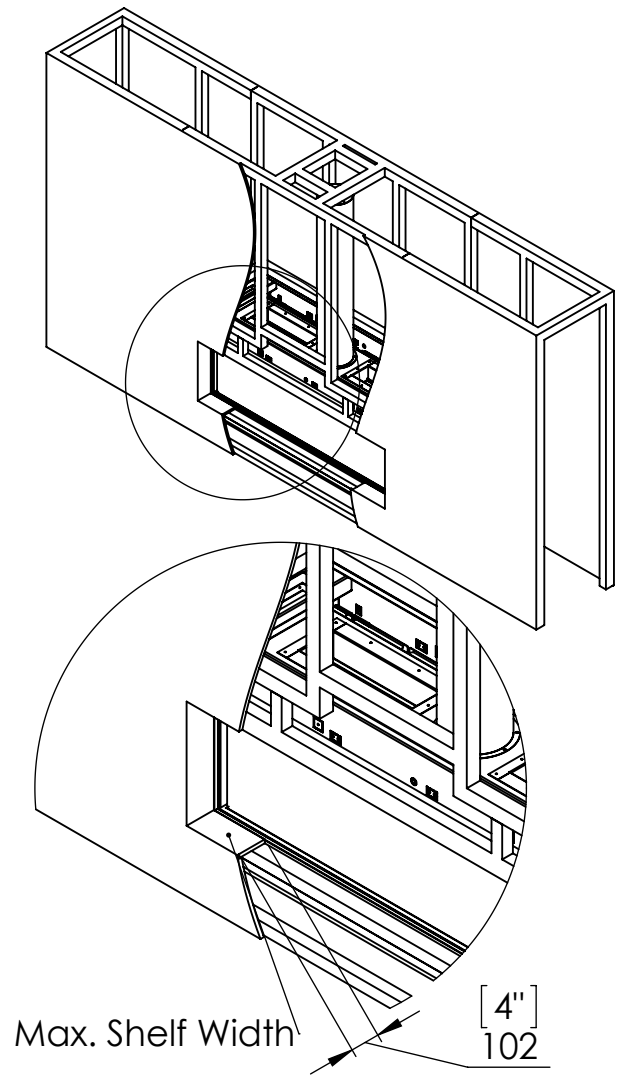
For 5 x 8 vent size create 10" x 10" vent termination opening



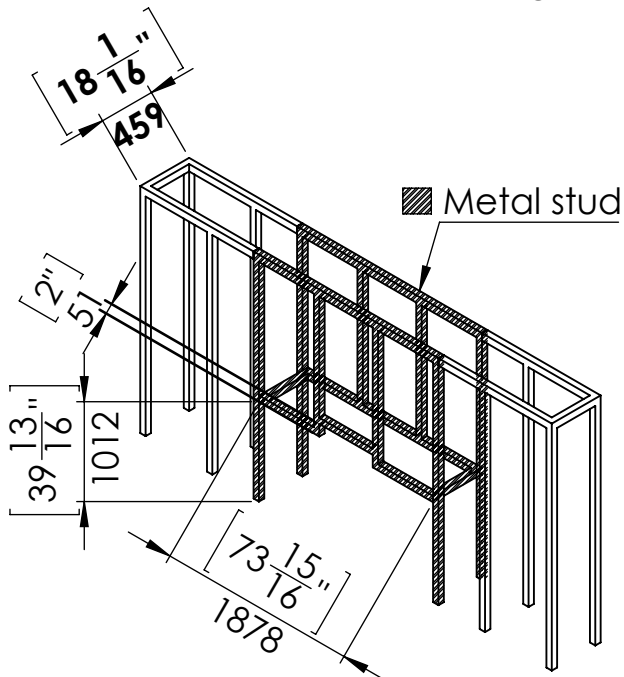
Flat Installation



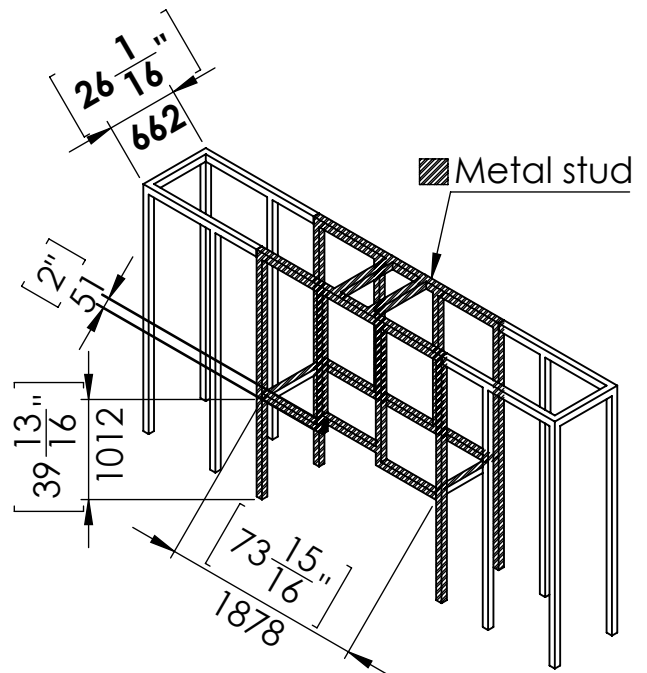
L Shape Installation



Step 1 - Basic Framing :

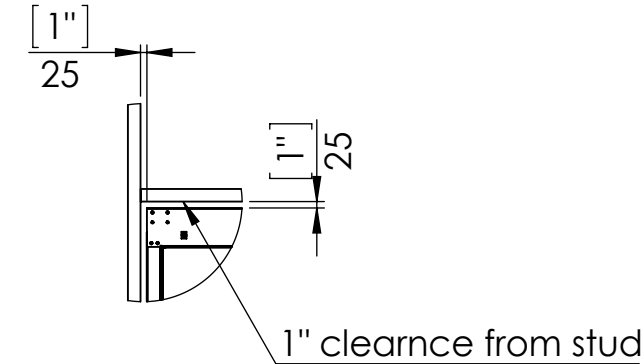
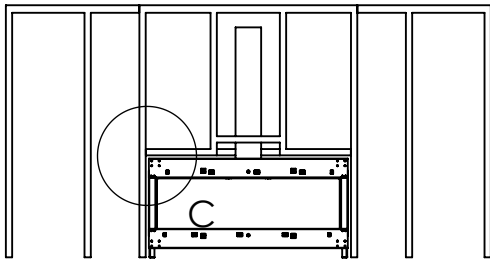
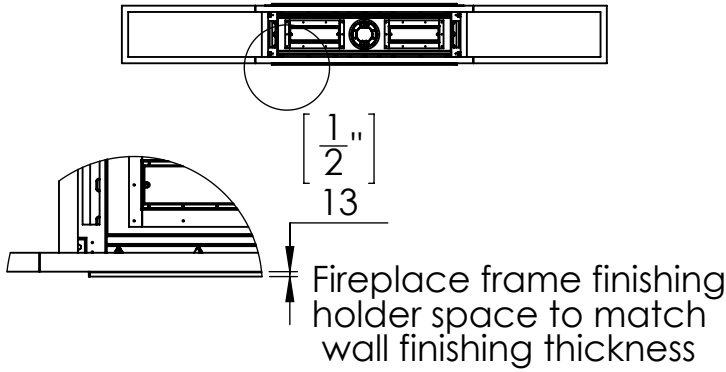


Step 1 - Basic Framing :

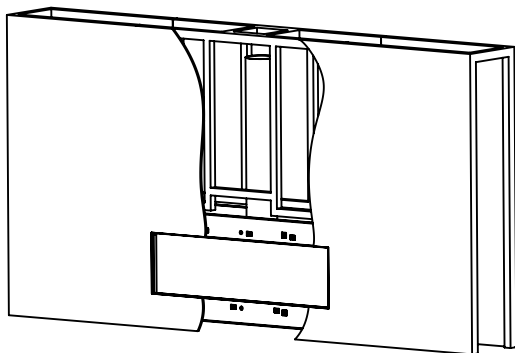


Flat Installation

Step 2 -Positioning the Fireplace:

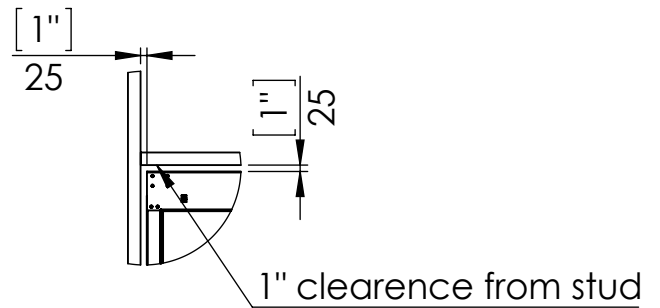
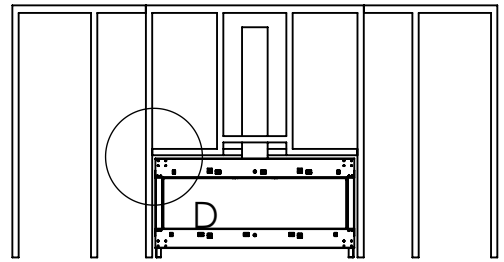
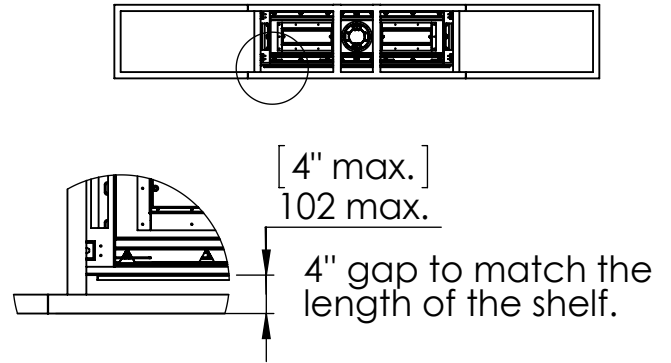


Last Step - Finishing The Fireplace Wall:

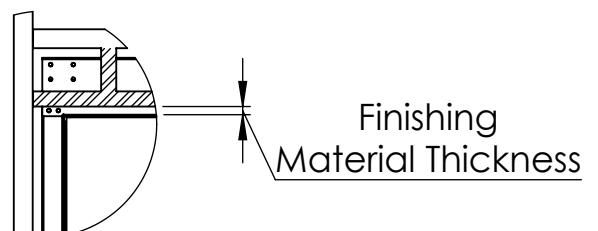
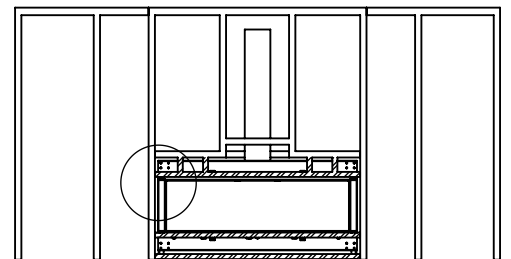


L Shape Installation

Step 2 -Positioning the Fireplace:

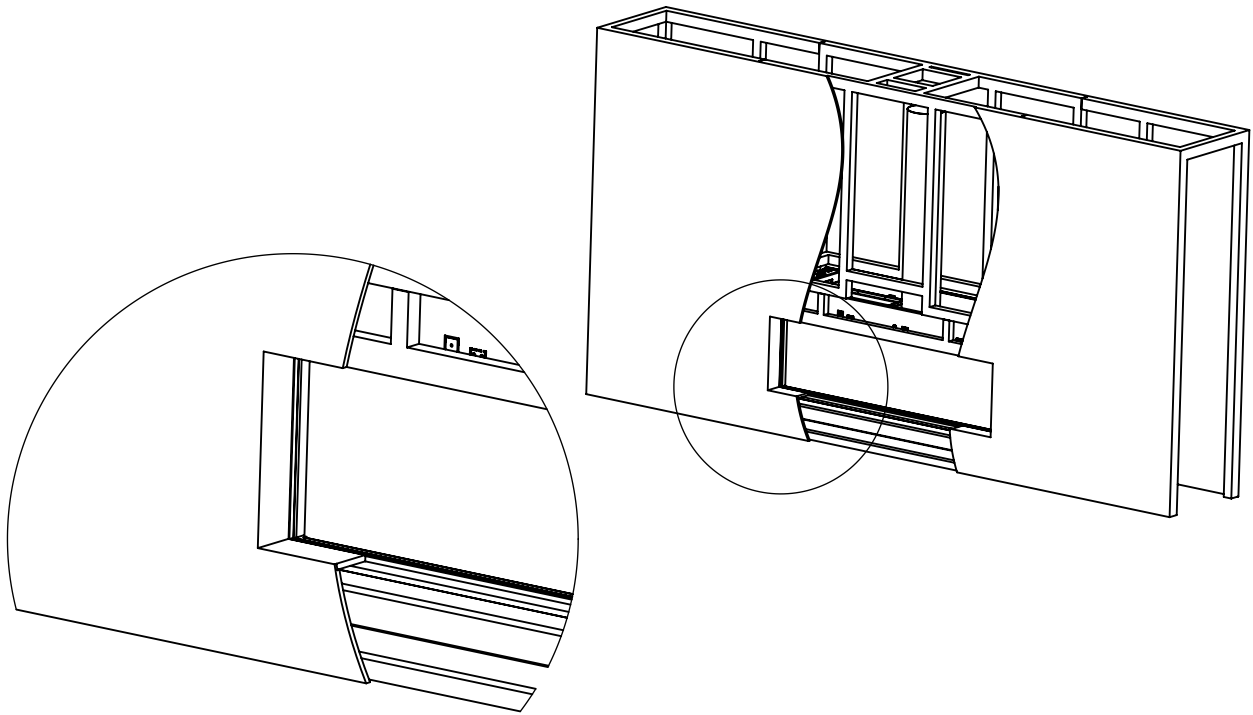


Step 3 - Framing Front Studs For L Shape:



L Shape Finishing Install

Last Step - Finishing The Fireplace Wall:



Specifications for Appliance Flare See Through 70H

Factor	NG	LPG
Burner Type	35,80,35	35,80,35
Orifice	550,800,550	160,180,160
BTU Max.	52200	43000
BTU min.	28000	20000
Kw/h	15.3k	12.6k
Chimney DIA.	5X8	5X8
Manifold Pressure[w.c]	3.4	8.8
Efficiency rate	82	79
Glass Size Length\Width	1700 X 620 mm	66" 15/16 X 24" 9/16'
Appliance Weigh	210Kg	462lb