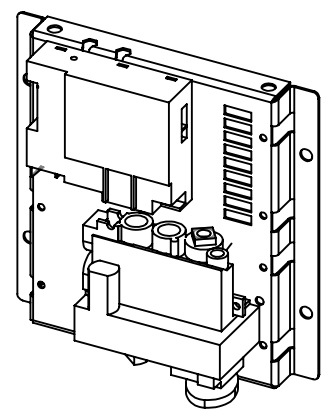
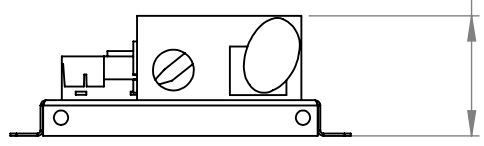


[8.858]
225

[8.858]
225

[3.122]
79.30



UNLESS OTHERWISE SPECIFIED:
DIMENSIONS ARE IN MILLIMETERS
SURFACE FINISH:
TOLERANCES:
LINEAR:
ANGULAR:



DEBURR AND
BREAK SHARP
EDGES

DO NOT SCALE DRAWING

REVISION

	NAME	SIGNATURE	DATE
DRAWN			
CHK'D			
APPV'D			
MFG			
Q.A			

TITLE:	screen system	
DWG NO.	Assem2	A4
SCALE: 1:5	Thickness:	SHEET 1 OF 1

F
E
D
C
B
A

F
E
D
C
B
A

4 3 2 1

4 3 2 1