

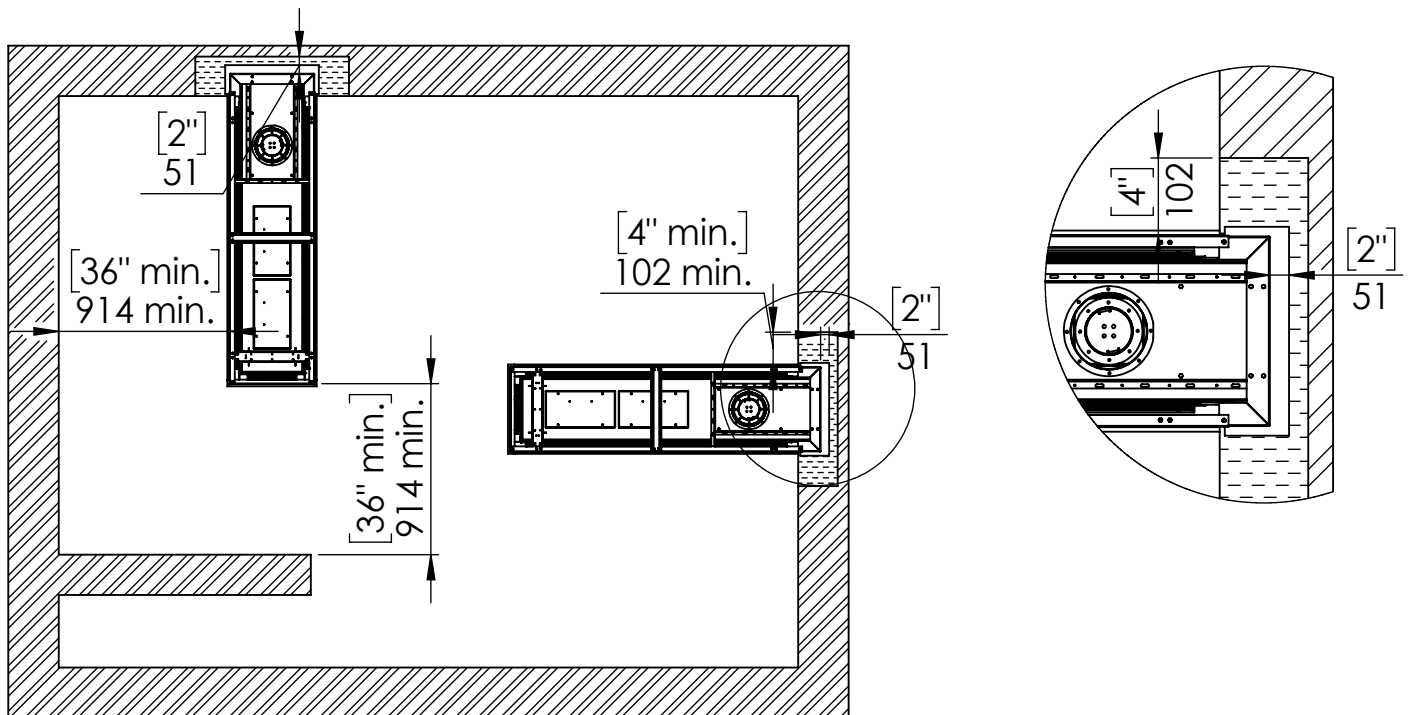


Specifications for Appliance Flare Room Definer 100H

Factor	NG	LPG
Burner Type	55,105,55	55,105,55
Orifice	550,1200,550	180,260,180
BTU Max.	60000	60000
BTU min.	32500	25500
Kw/h	17.5k	17.5k
Chimney DIA.	5X8	5X8
Manifold Pressure[w.c]	4.4	7.4
Efficiency rate	81	76

Glass Size Length\Width	2450 X 620 mm	96" 7/16 X 24" 7/16'
Appliance Weigh	280Kg	617lb

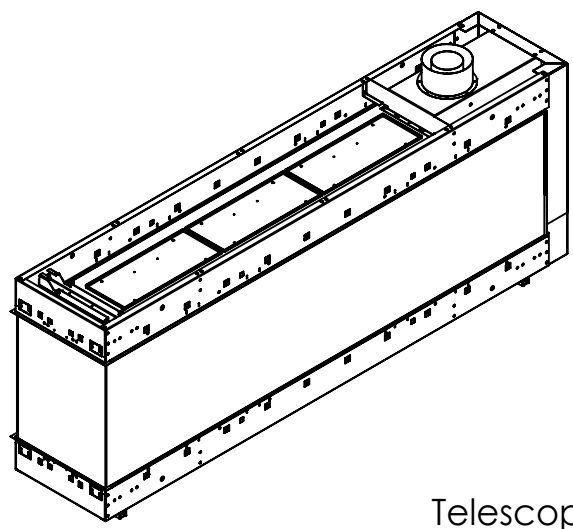
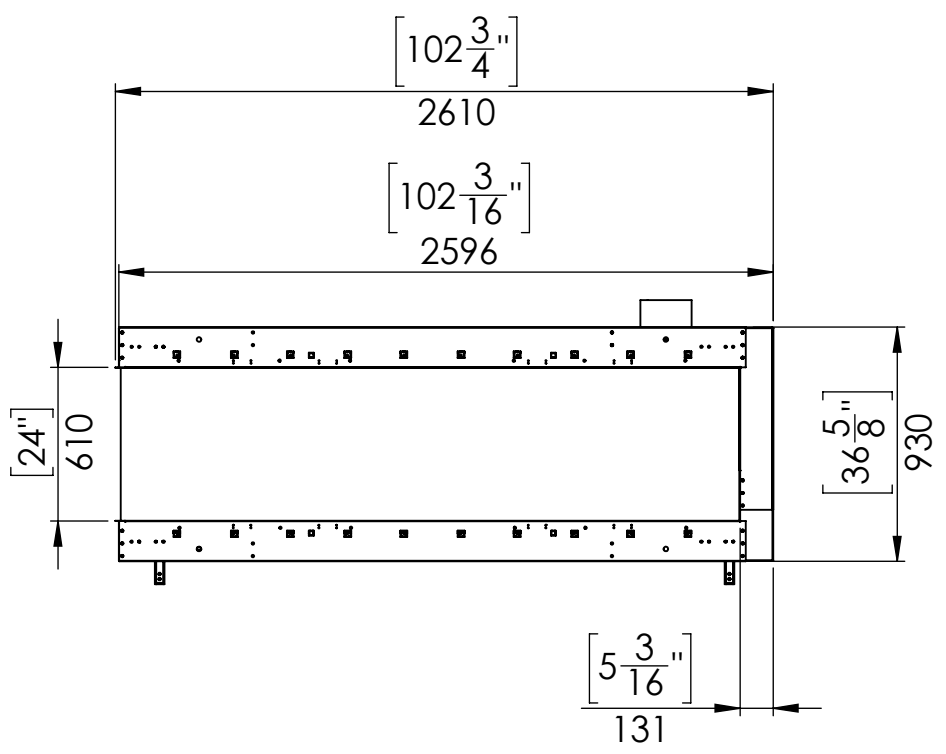
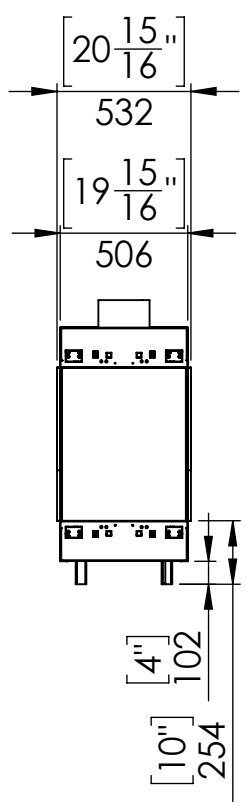
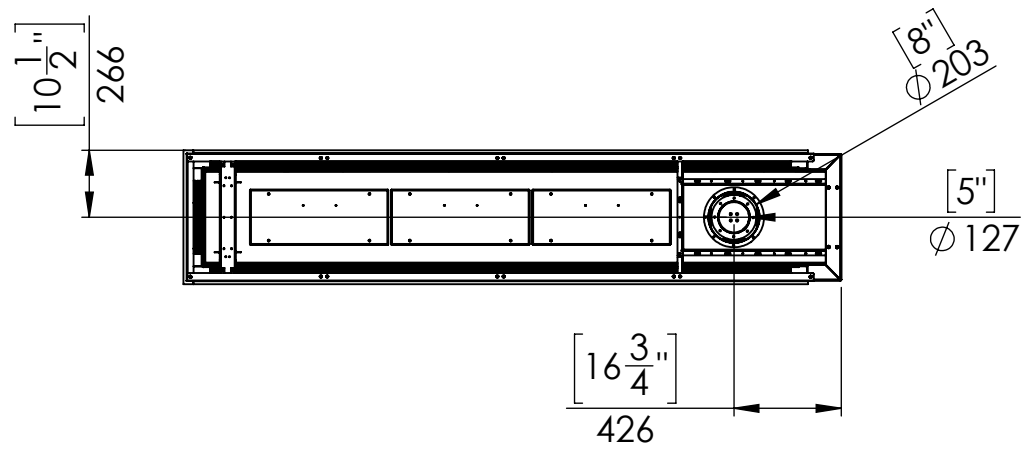
Appliance Location



 Combustible Materials
 Non Combustible Materials

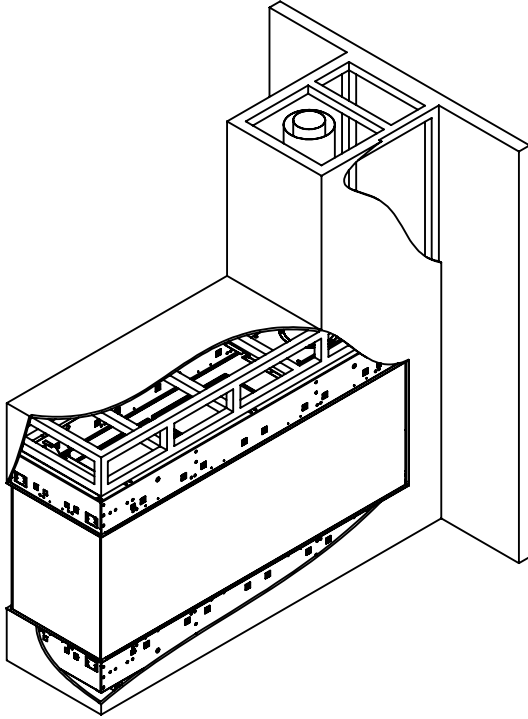


Flare Room Definer 100H

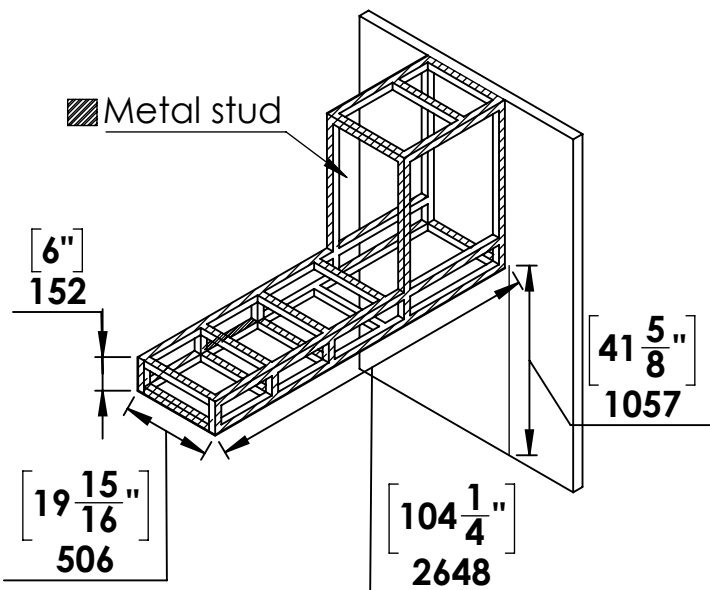


Telescopic leg ranges (from bottom of the glass): 10"-21"

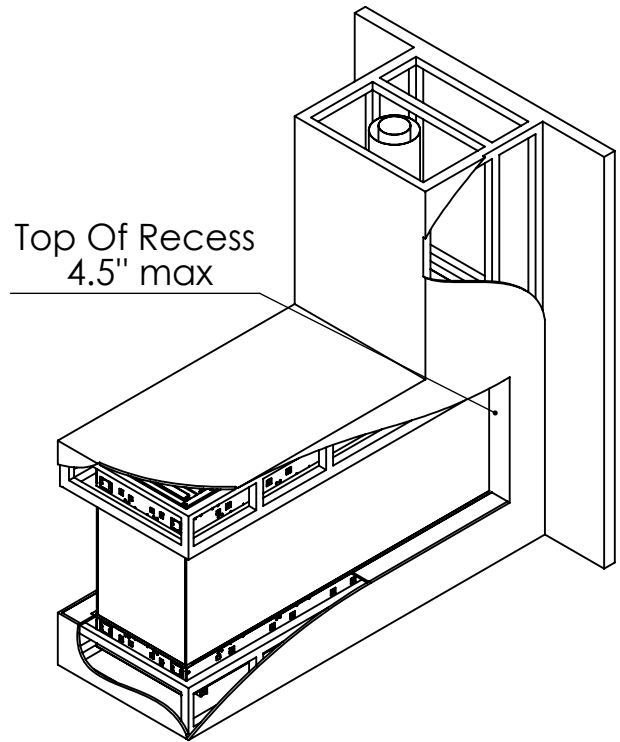
Flat Installation



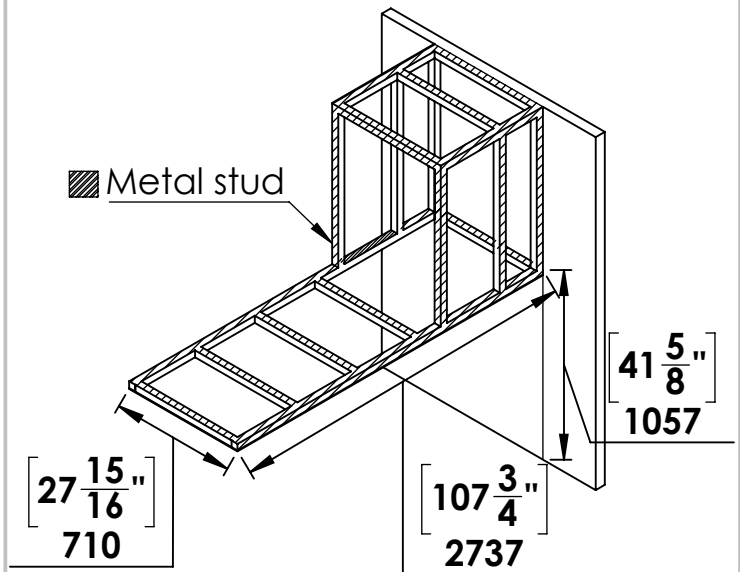
Step 1 - Basic Framing :



Recess Installation

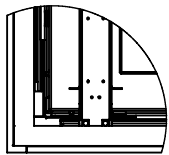
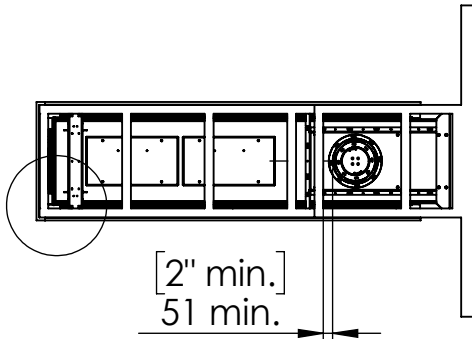


Step 1 - Basic Framing :

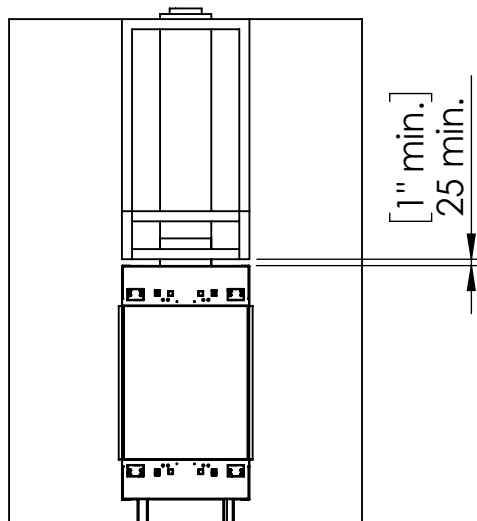


Flat Installation

Step 2 -Positioning the Fireplace:

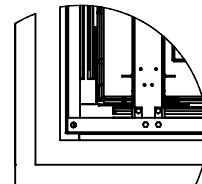
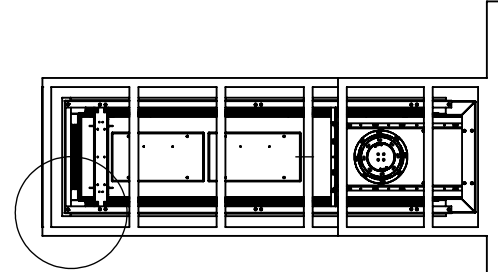


Fireplace frame finishing holder space to match wall finishing thickness



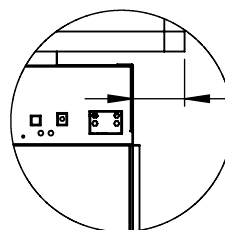
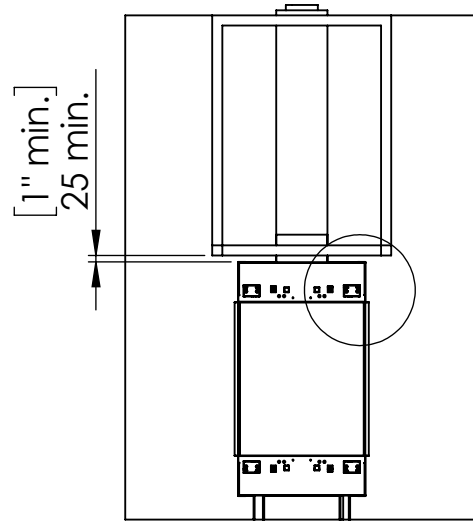
Recess Installation

Step 2 -Positioning the Fireplace:



gap to match the max. length of top shelf.

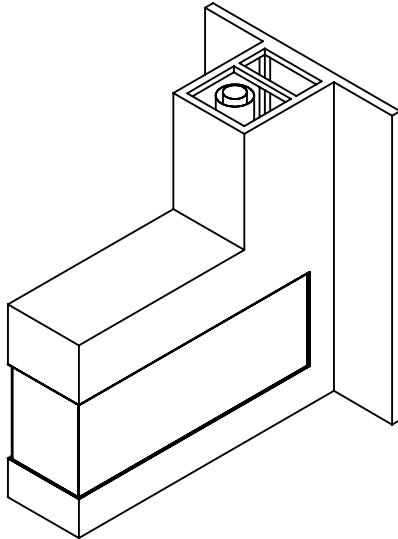
[4" max.]
102 max.



[4" max.]
102 max.

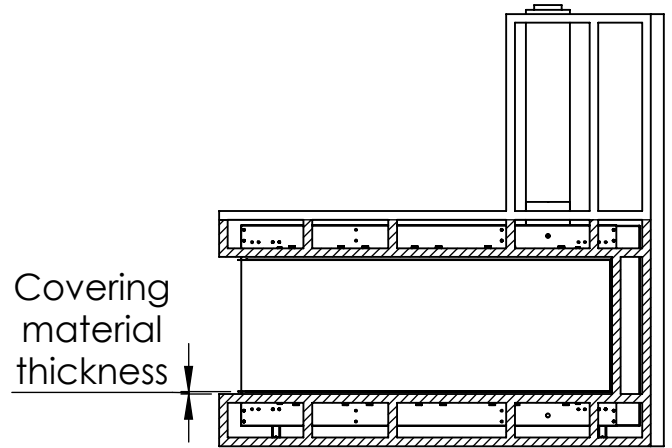
Flat Installation

Last Step - Finishing The Fireplace Wall:



Recess Installation

Step 3 - Framing Front Studs For Recess
After positioning the Fireplace:



Last Step - Finishing The Fireplace Wall:

