

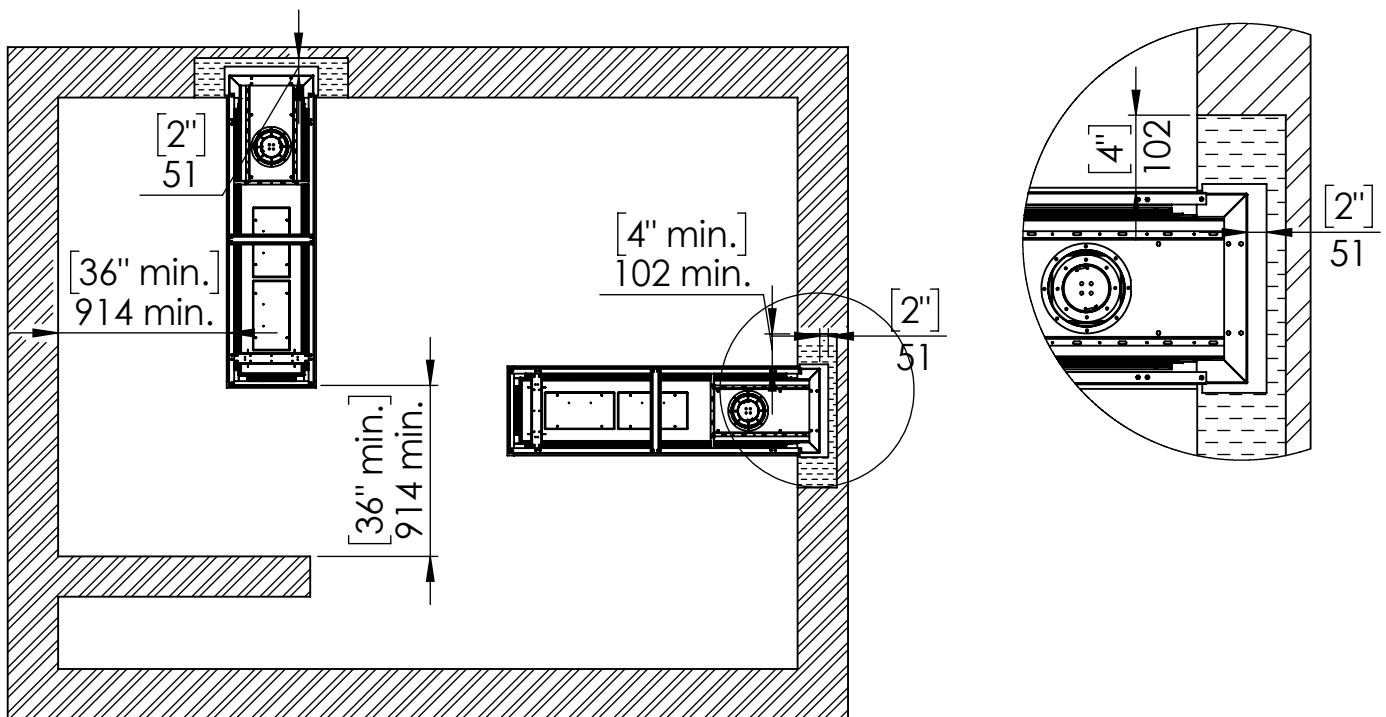


# Specifications for Appliance Flare Room Definer 70

Factor	NG	LPG
Burner Type	35,80,35	35,80,35
Orifice	500,1000,500	160,180,160
BTU Max.	52200	43000
BTU min.	28000	20000
Kw/h	15.3k	12.6k
Chimney DIA.	5X8	5X8
Manifold Pressure[w.c]	3.6	8.8
Efficiency rate	82	79

Glass Size Length\Width	1700 X 420 mm	66" 15/16 X 16" 9/16'
Appliance Weigh	190Kg	418lb

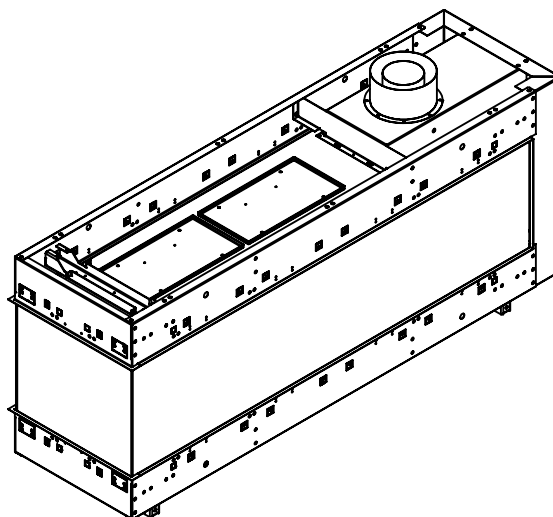
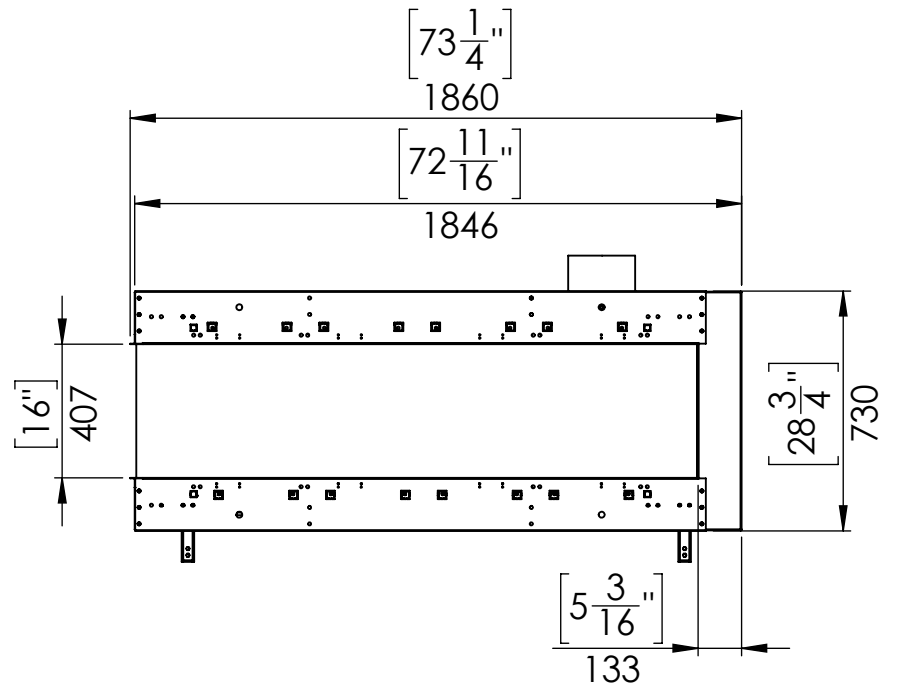
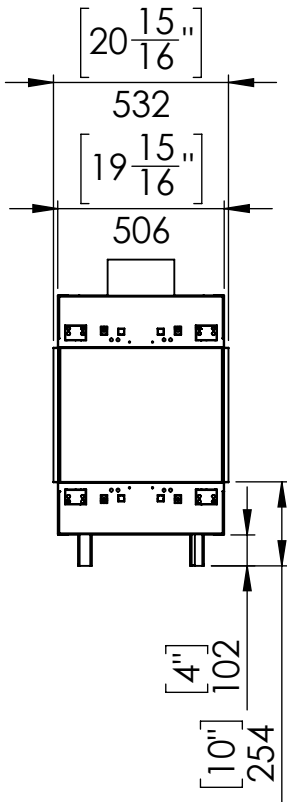
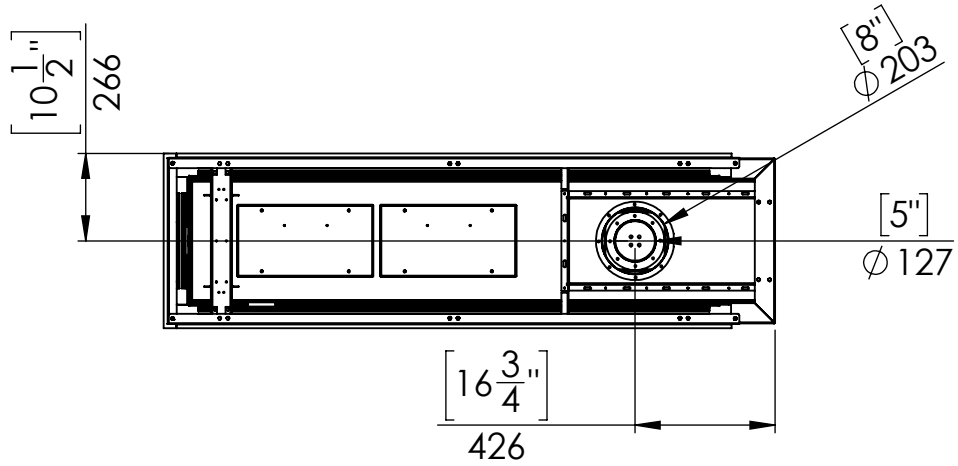
## Appliance Location



 Combustible Materials  
 Non Combustible Materials

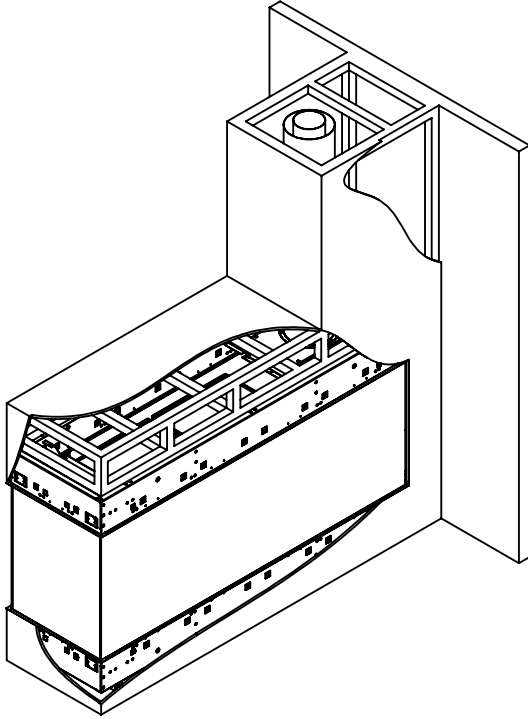


# Flare Room Definer 70

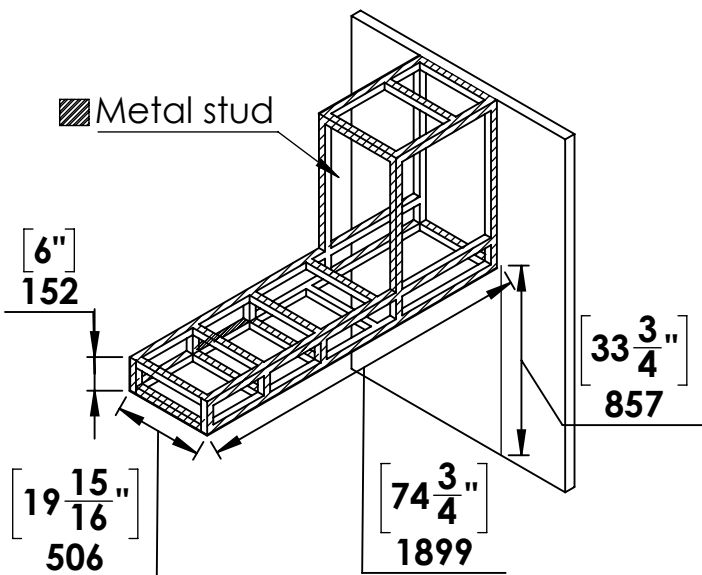


Telescopic leg ranges (from bottom of the glass): 10"-21"

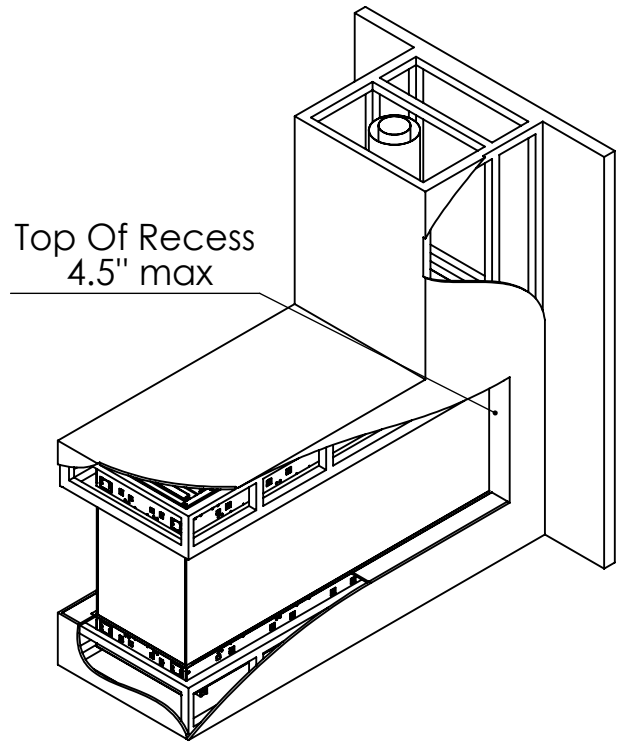
## Flat Installation



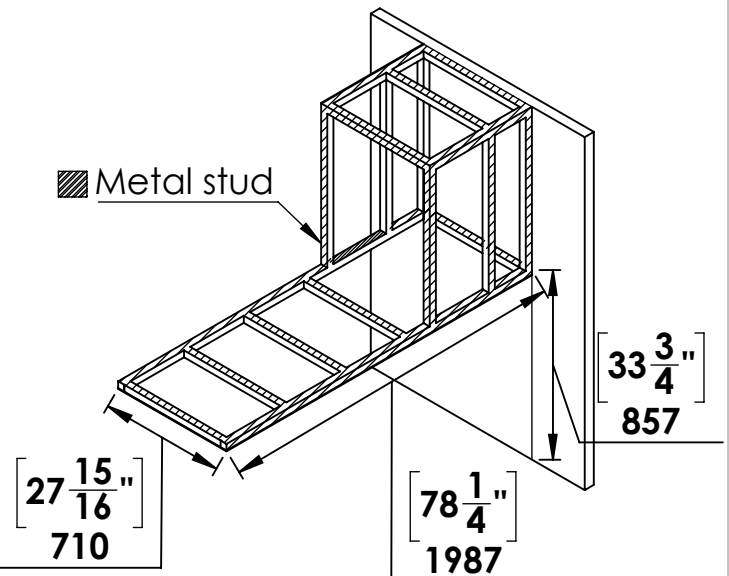
Step 1 - Basic Framing :



## Recess Installation

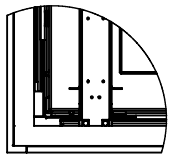
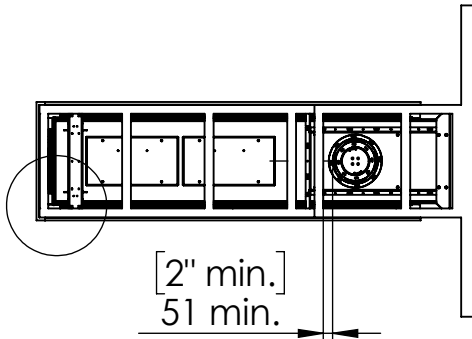


Step 1 - Basic Framing :

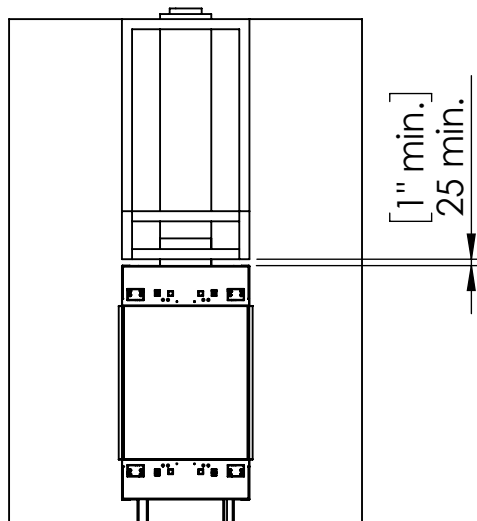


## Flat Installation

Step 2 -Positioning the Fireplace:

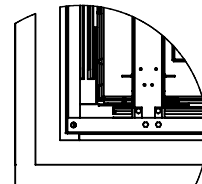
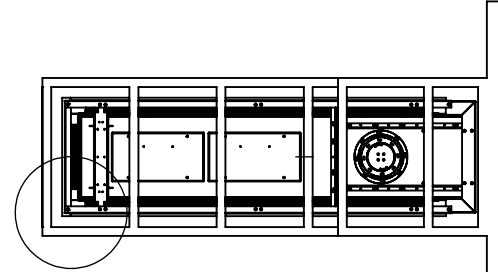


Fireplace frame finishing holder space to match wall finishing thickness



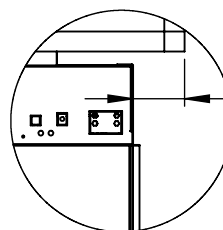
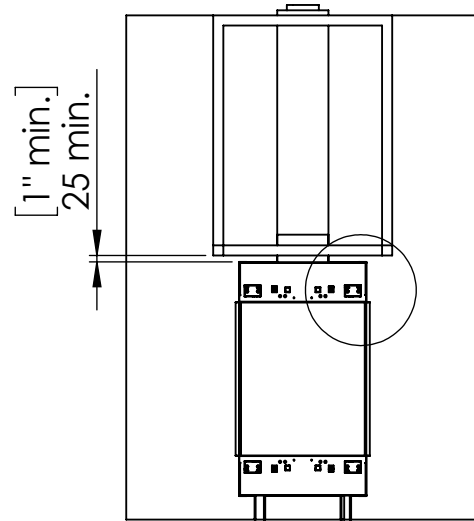
## Recess Installation

Step 2 -Positioning the Fireplace:



gap to match the max. length of top shelf.

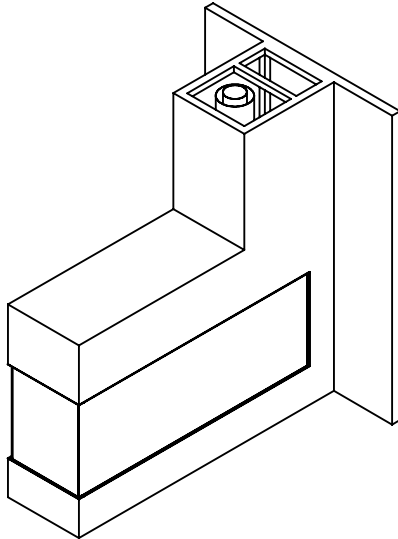
[4" max.]  
102 max.



[4" max.]  
102 max.

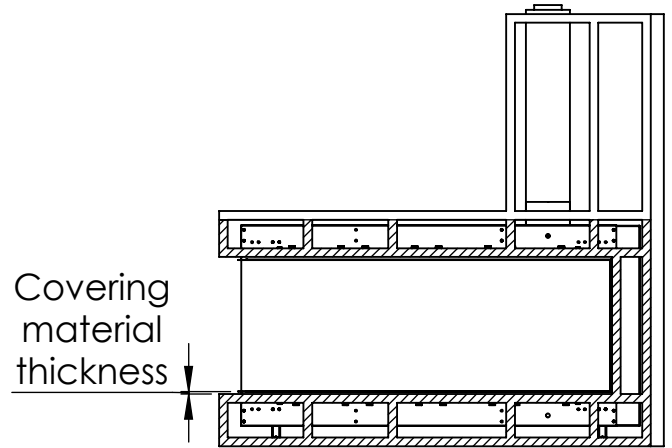
## Flat Installation

Last Step - Finishing The Fireplace Wall:



## Recess Installation

Step 3 - Framing Front Studs For Recess  
After positioning the Fireplace:



Last Step - Finishing The Fireplace Wall:

