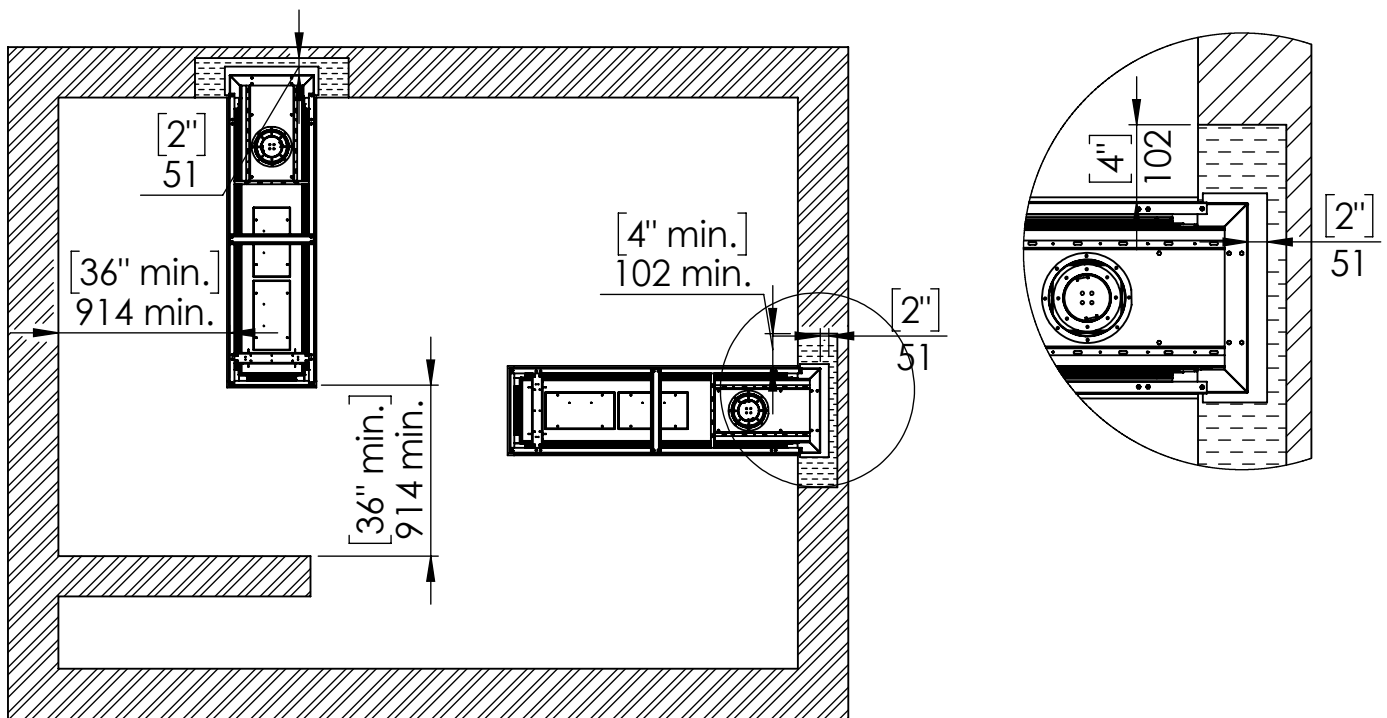




# Specifications for Appliance Flare Room Definer 70H

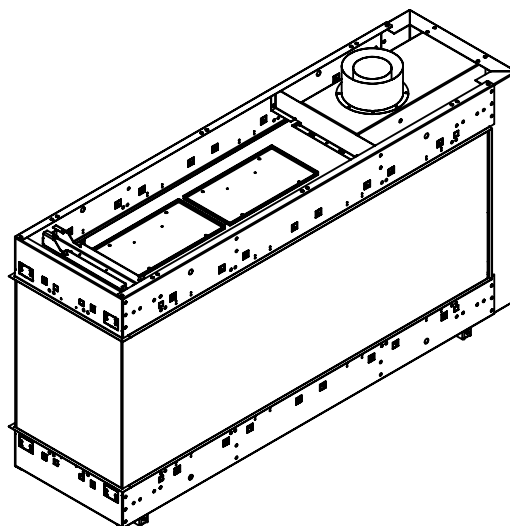
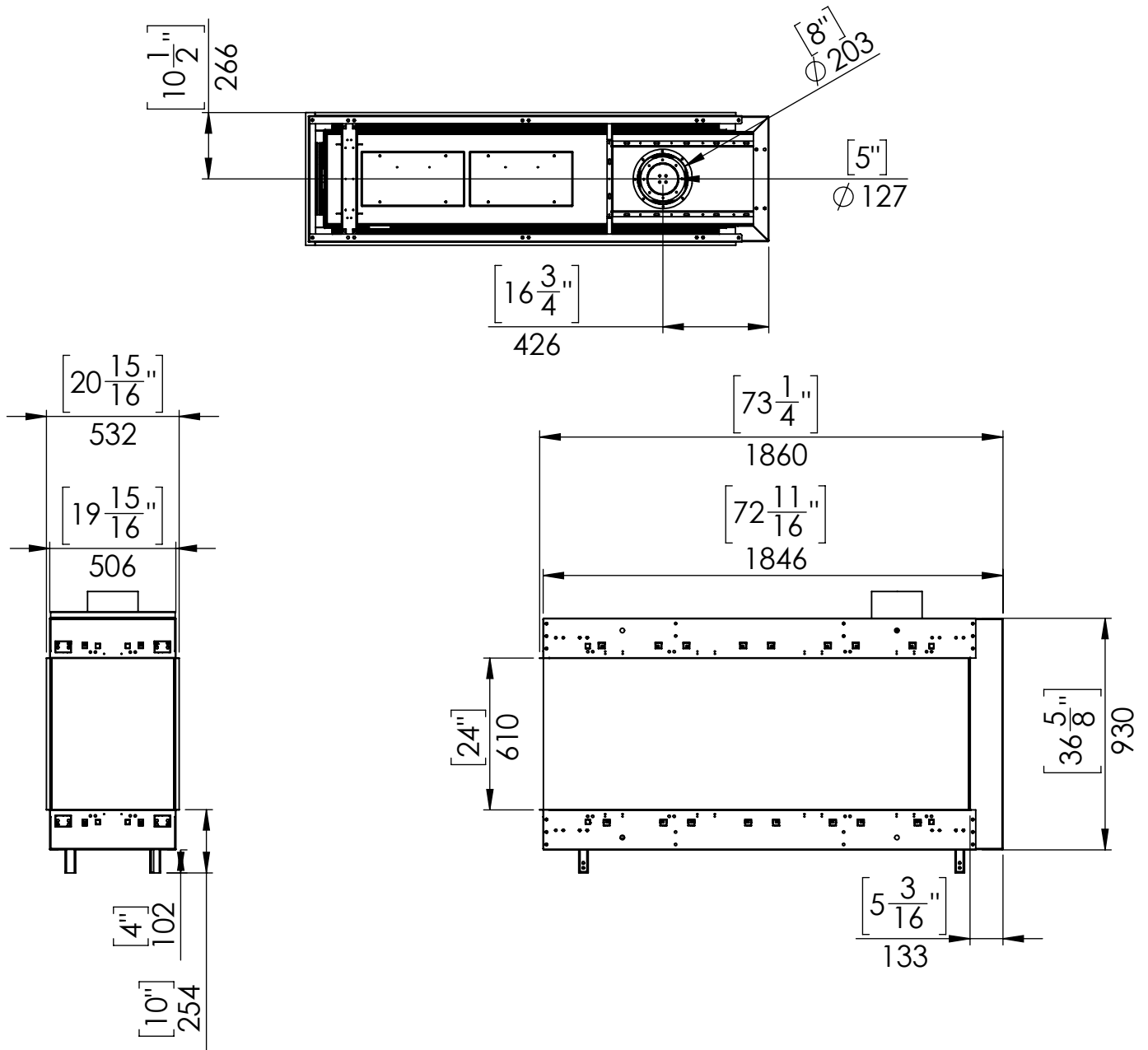
Factor	NG	LPG
Burner Type	35,80,35	35,80,35
Orifice	500,1000,500	160,180,160
BTU Max.	52200	43000
BTU min.	28000	20000
Kw/h	15.3k	12.6k
Chimney DIA.	5X8	5X8
Manifold Pressure[w.c]	3.6	8.8
Efficiency rate	82	79
Glass Size Length\Width	1700 X 620 mm	66" 15/16 X 24" 7/16'
Appliance Weigh	200Kg	440lb

## Appliance Location



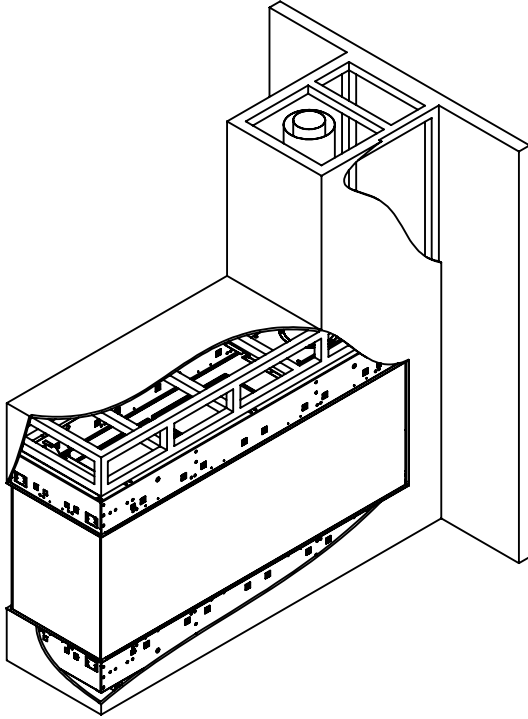
 Combustible Materials  
 Non Combustible Materials

# Flare Room Definer 70H

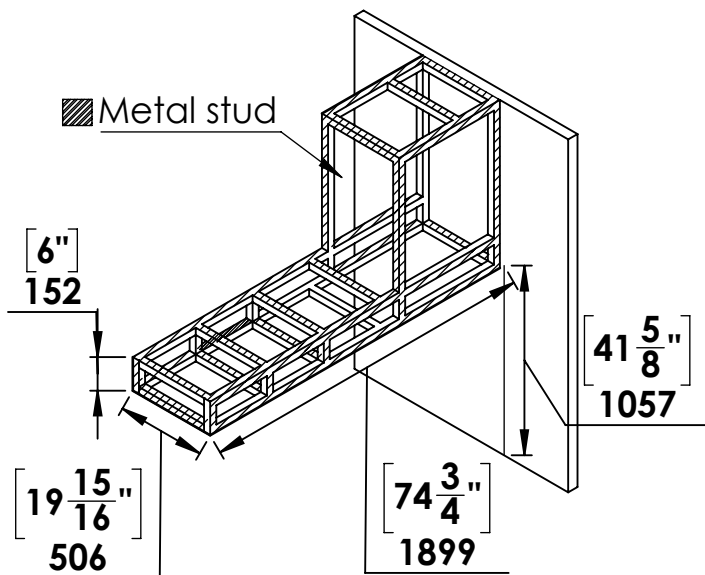


Telescopic leg ranges  
(from bottom of the glass): 10"-21"

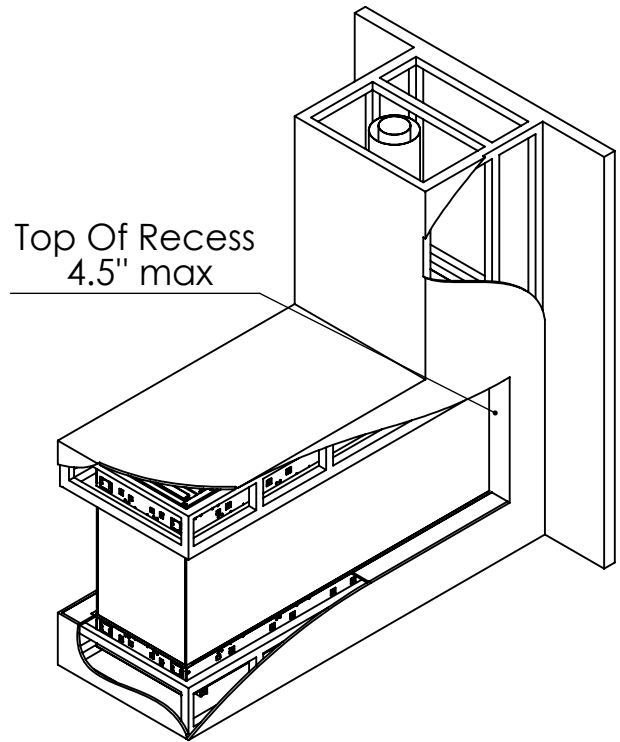
## Flat Installation



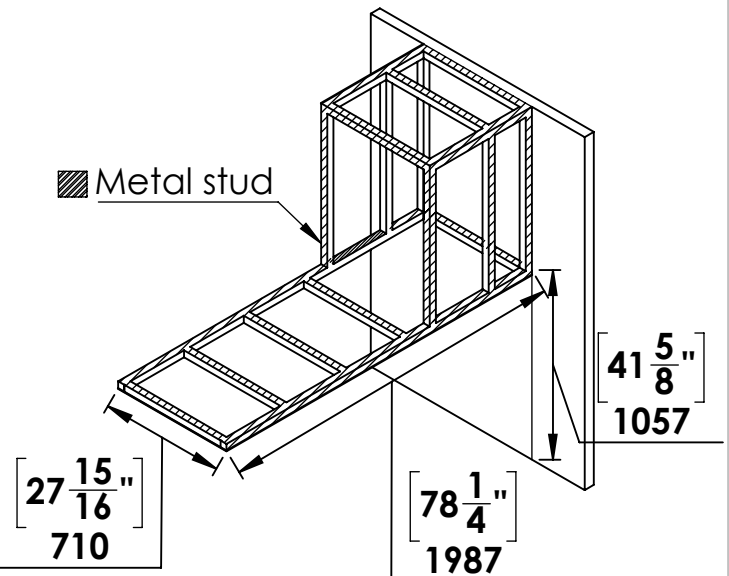
Step 1 - Basic Framing :



## Recess Installation

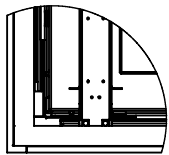
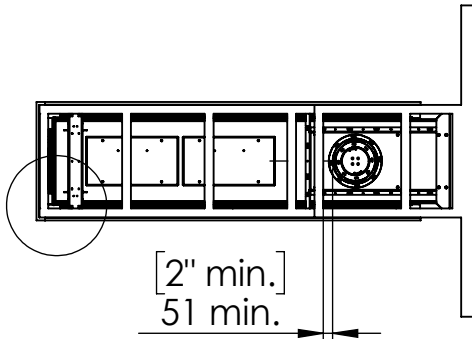


Step 1 - Basic Framing :

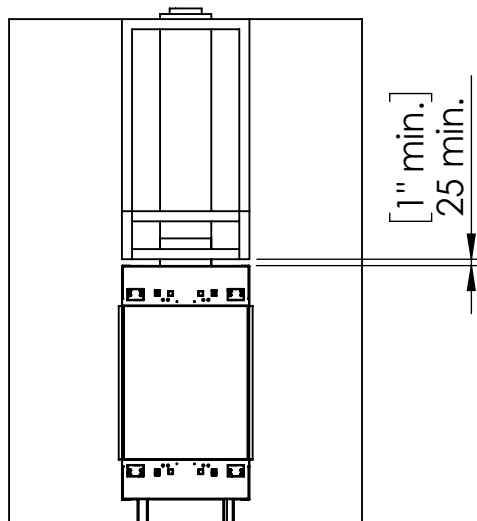


## Flat Installation

Step 2 -Positioning the Fireplace:

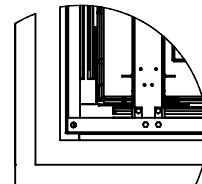
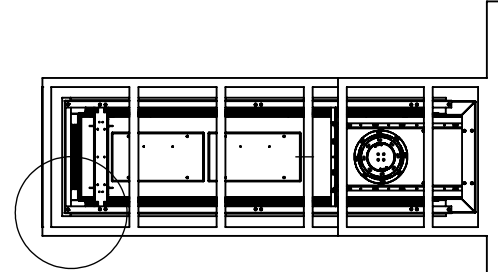


Fireplace frame finishing holder space to match wall finishing thickness



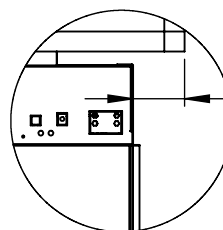
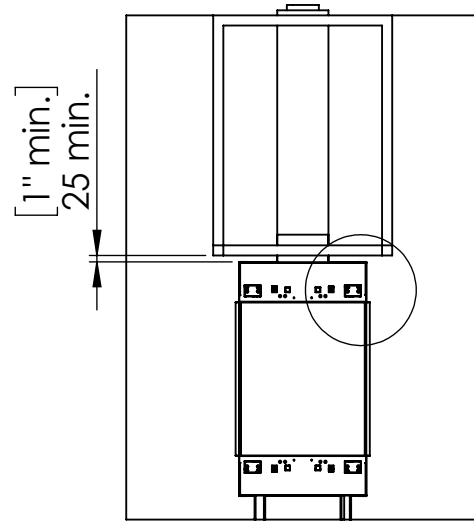
## Recess Installation

Step 2 -Positioning the Fireplace:



gap to match the max. length of top shelf.

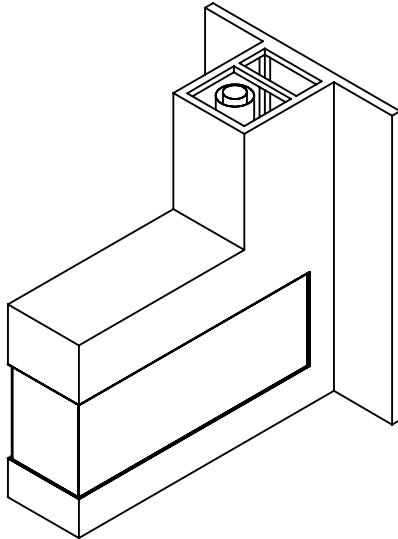
[4" max.]  
102 max.



[4" max.]  
102 max.

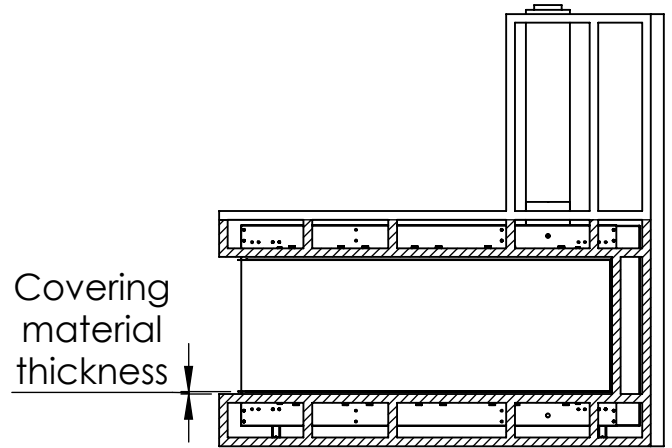
## Flat Installation

Last Step - Finishing The Fireplace Wall:



## Recess Installation

Step 3 - Framing Front Studs For Recess  
After positioning the Fireplace:



Last Step - Finishing The Fireplace Wall:

