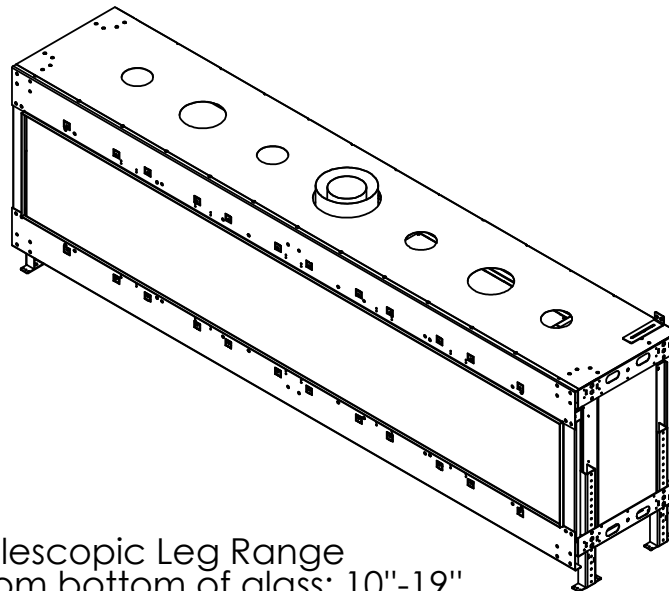
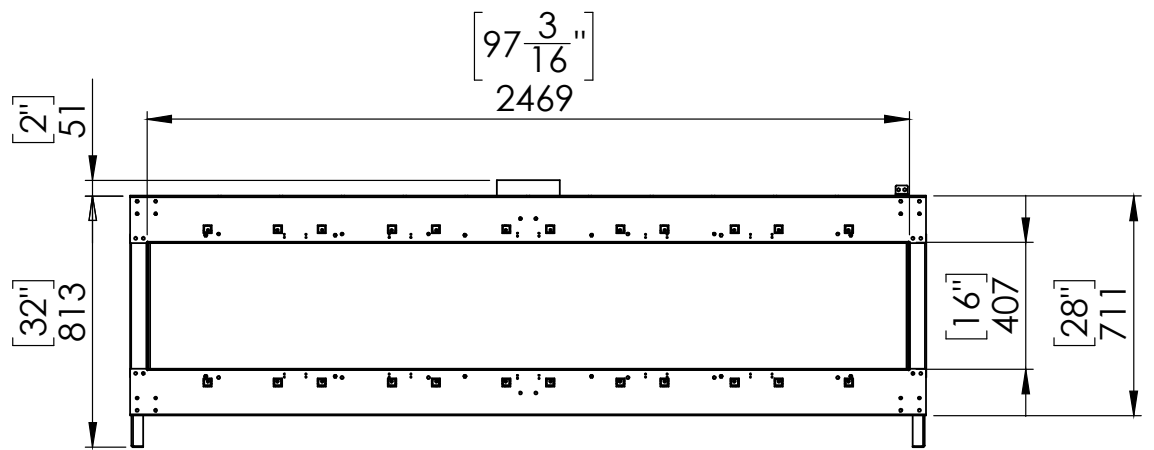
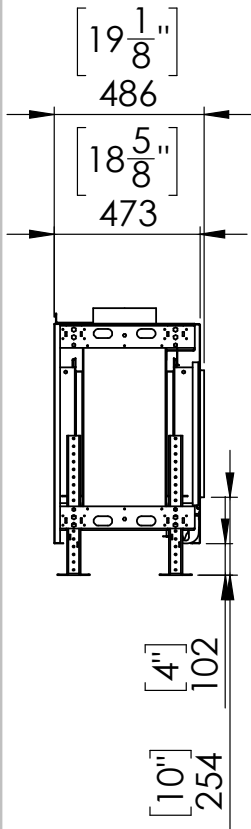
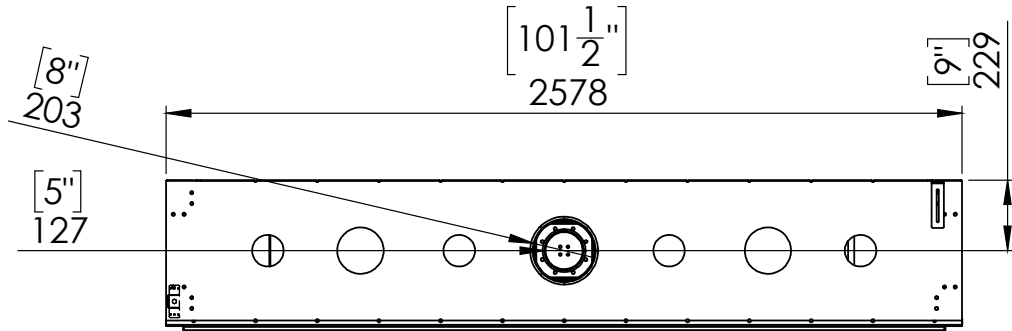
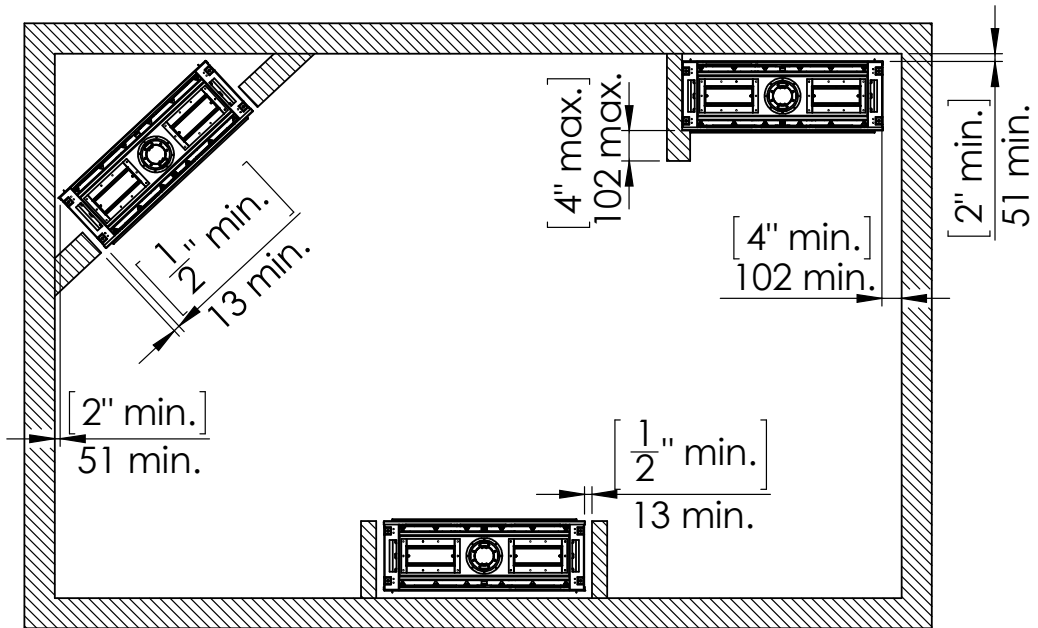


Flare Front 100 Commercial



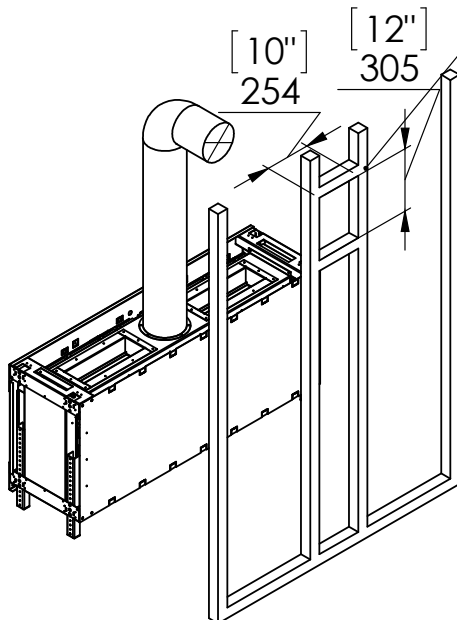
Telescopic Leg Range
From bottom of glass: 10"-19"



Chimney Installation

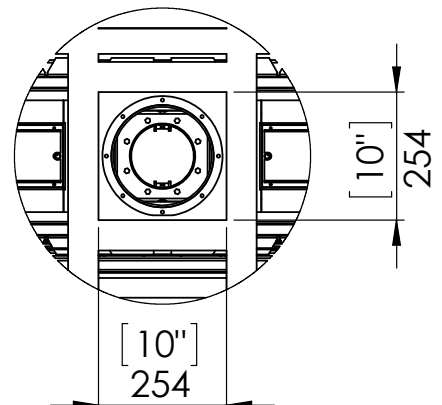
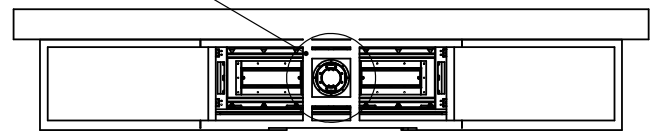
Horizontal Termination

For 5 x 8 vent size create 10" x 12" vent termination opening

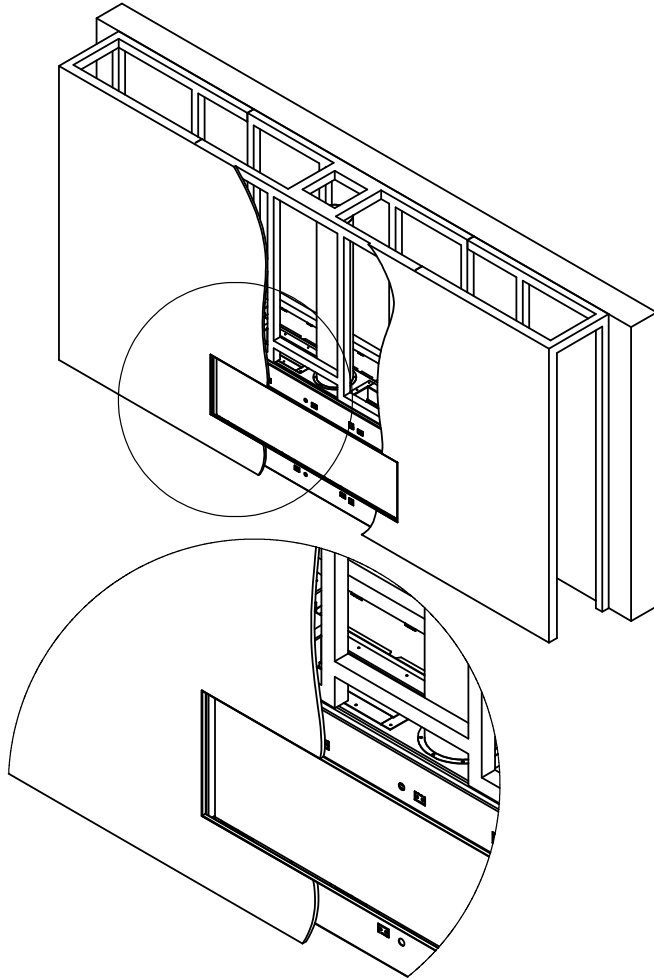


Vertical Termination

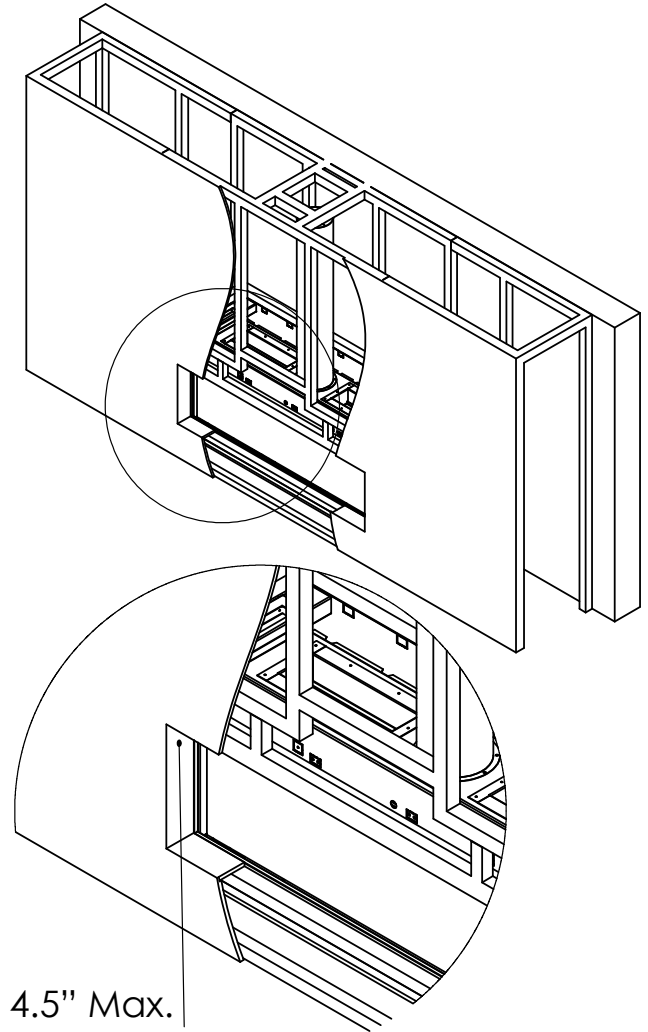
For 5 x 8 vent size create 10" x 10" vent termination opening



Flat Installation

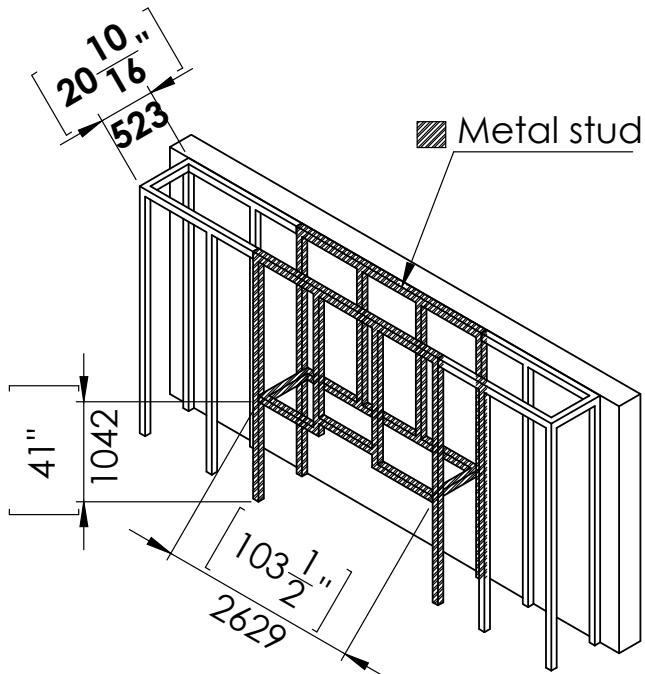


L Shape Installation

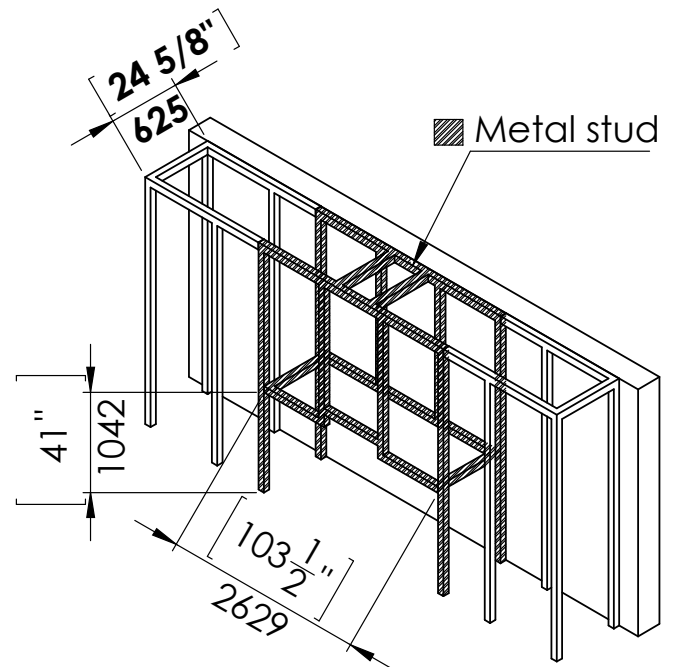


4.5" Max.
Top Of Recess

Step 1 - Basic Framing :

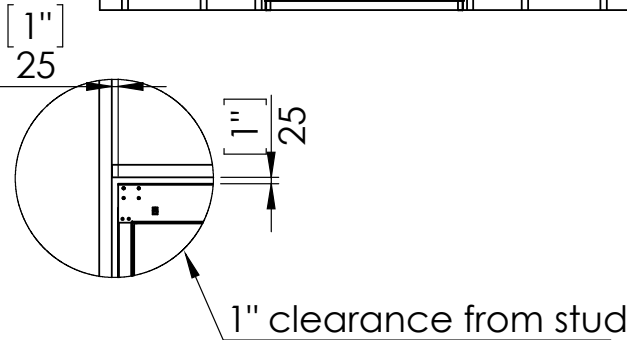
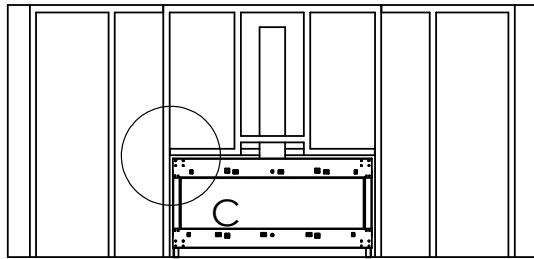
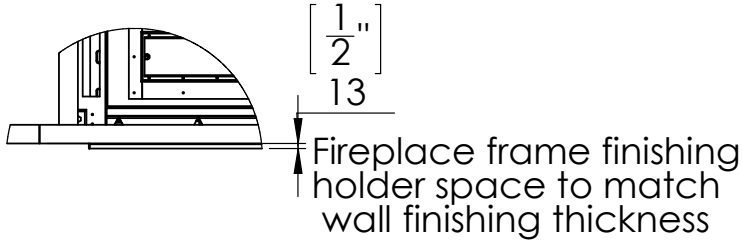
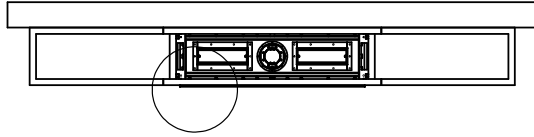


Step 1 - Basic Framing :

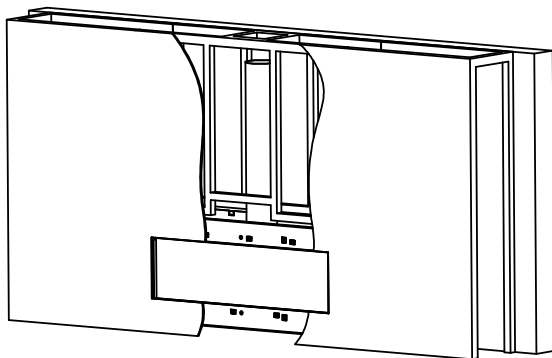


Flat Installation

Step 2 -Positioning the Fireplace:

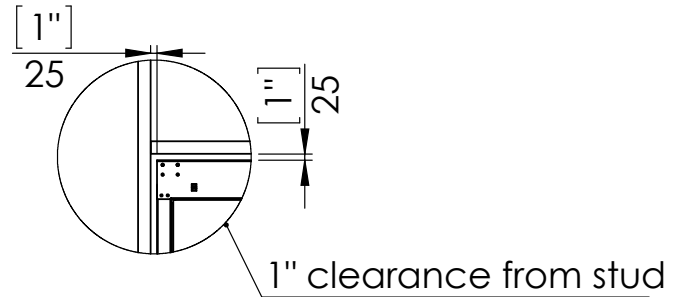
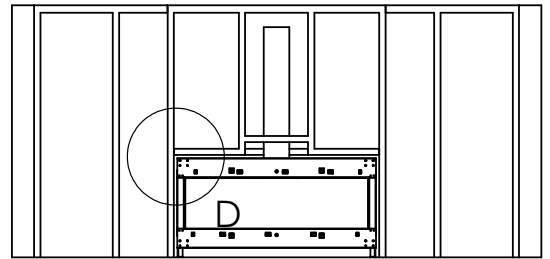
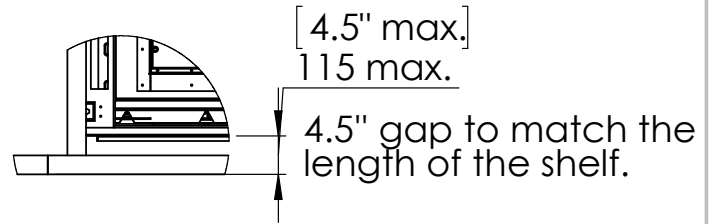
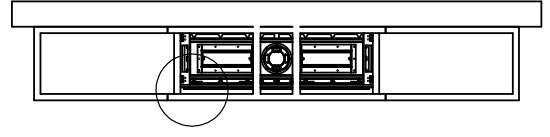


Last Step - Finishing The Fireplace Wall:

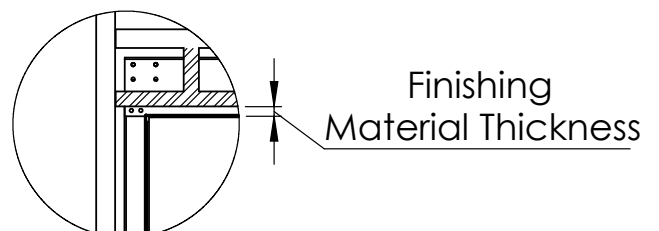
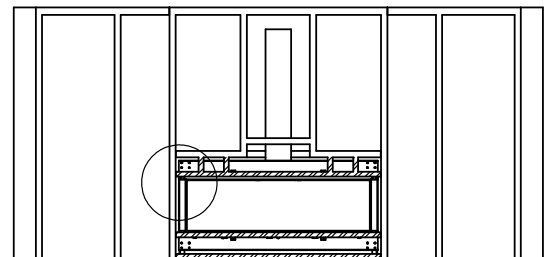


L Shape Installation

Step 2 -Positioning the Fireplace:

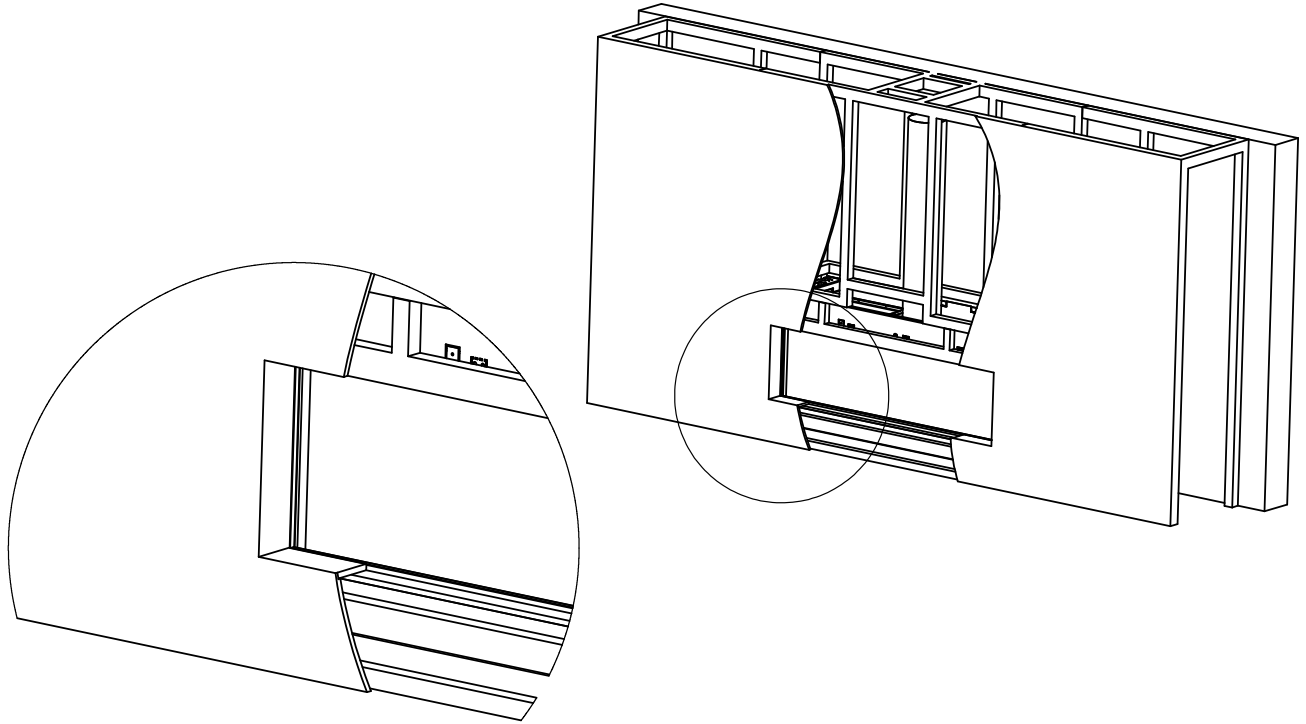


Step 3 - Framing Front Studs For L Shape:



L Shape Finishing Install

Last Step - Finishing The Fireplace Wall:



Specifications for Appliance Flare Front 100H Commercial

Factor	NG	LPG
Burner Type	55,105,55	55,105,55
Orifice	550,1200,550	180,260,180
BTU Max.	60000	62000
BTU min.	32500	25500
Kw/h	17.5k	17.5k
Chimney Diameter	5X8	5X8
Manifold Pressure[w.c]	4.0	7.4
Efficiency rate	82	78
Glass Size Length\Width	2455 X 620 mm	96" 10/16 X 24" 7/16'
Appliance Weigh	270Kg	600lb