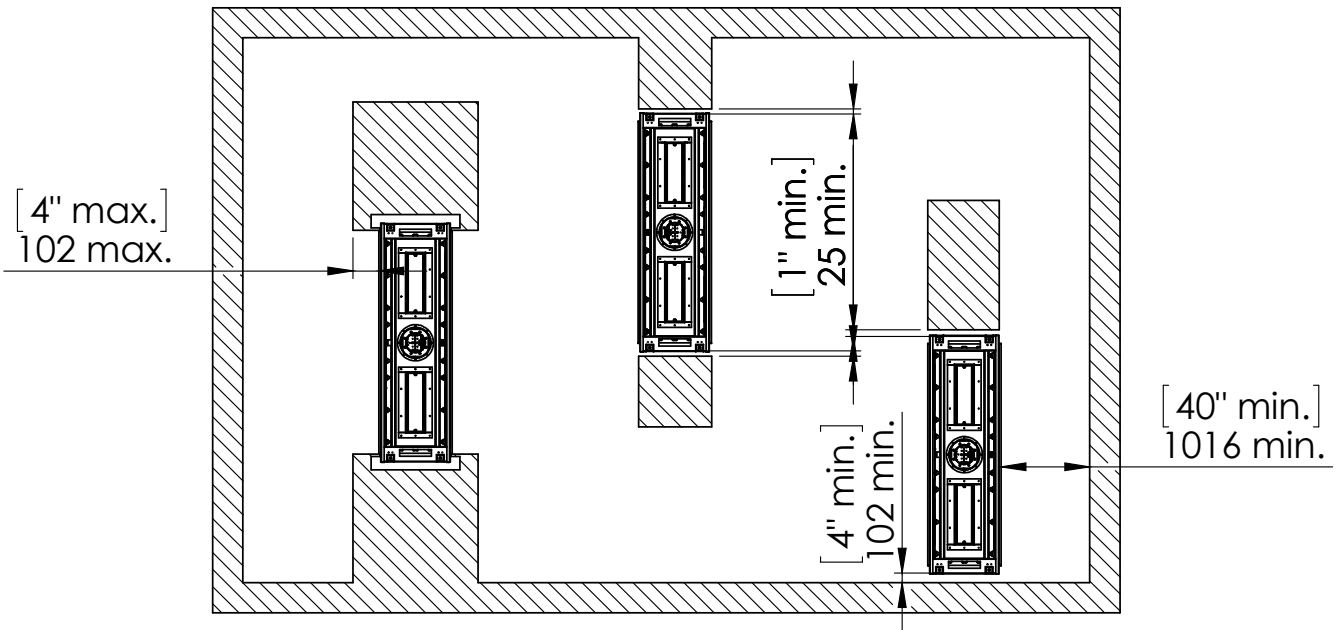


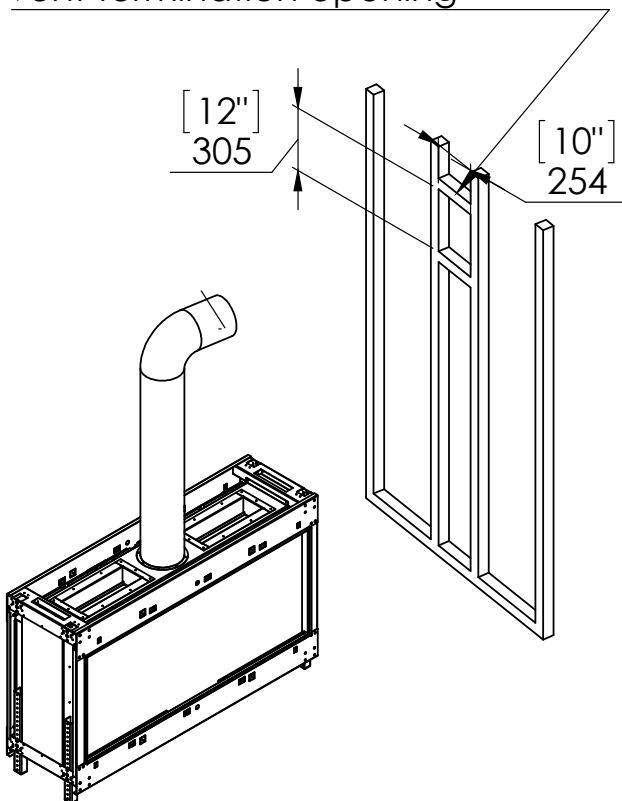
Telescopic Leg Range  
From bottom of glass: 10"-19"



## Chimney Installation

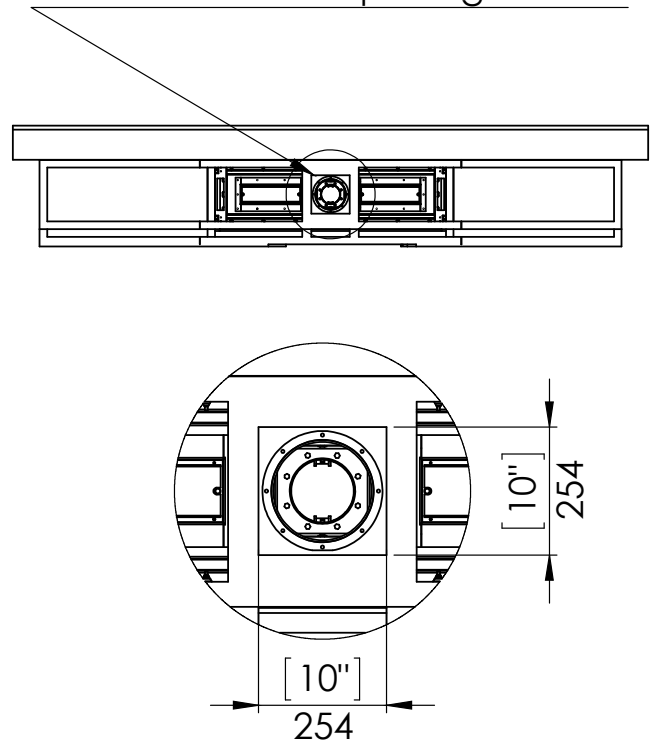
### Horizontal Termination

For 5 x 8 vent size create 10" x 12" vent termination opening

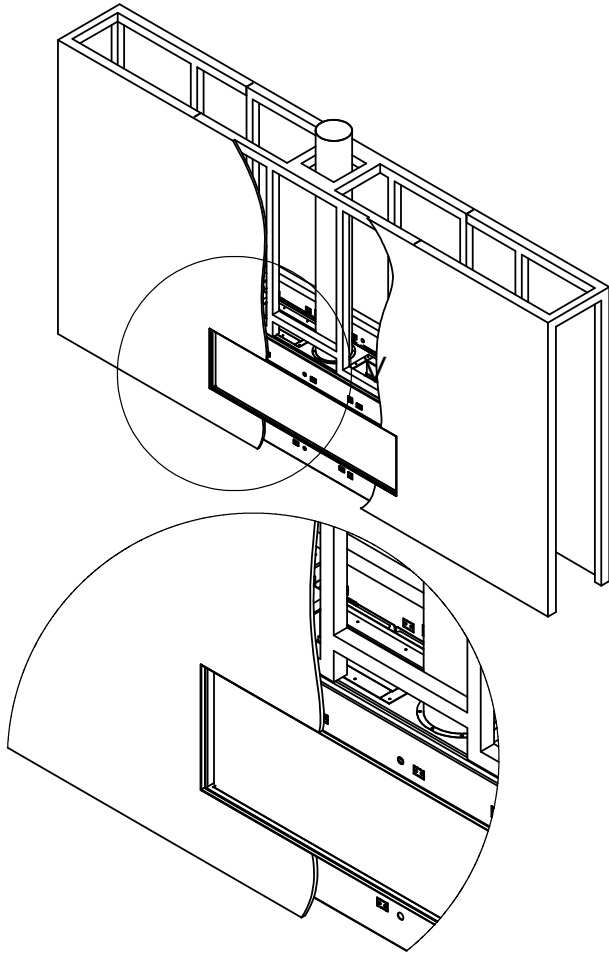


### Vertical Termination

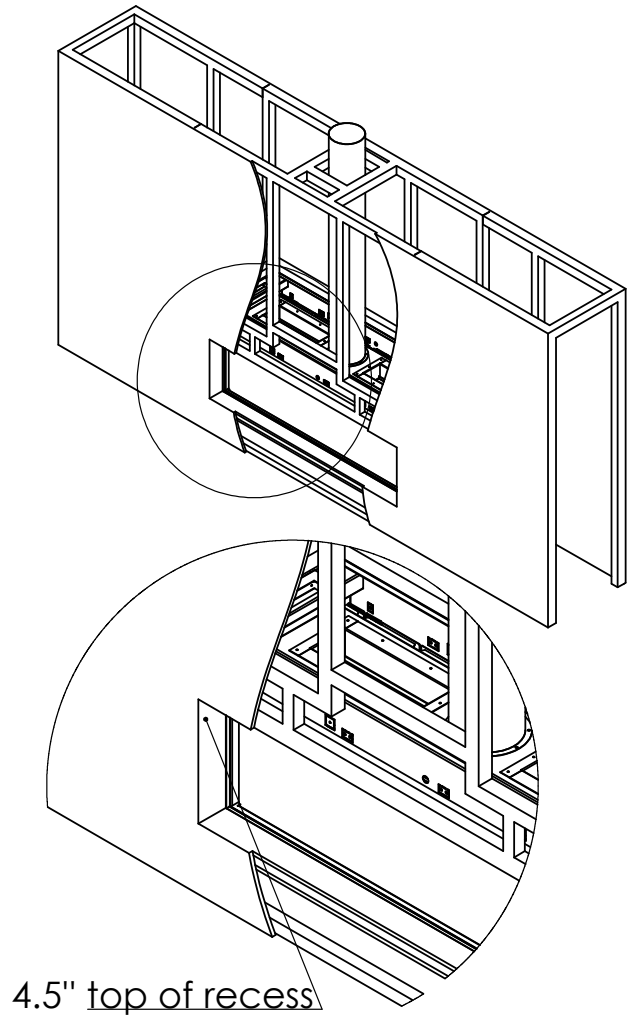
For 5 x 8 vent size create 10" x 10" vent termination opening



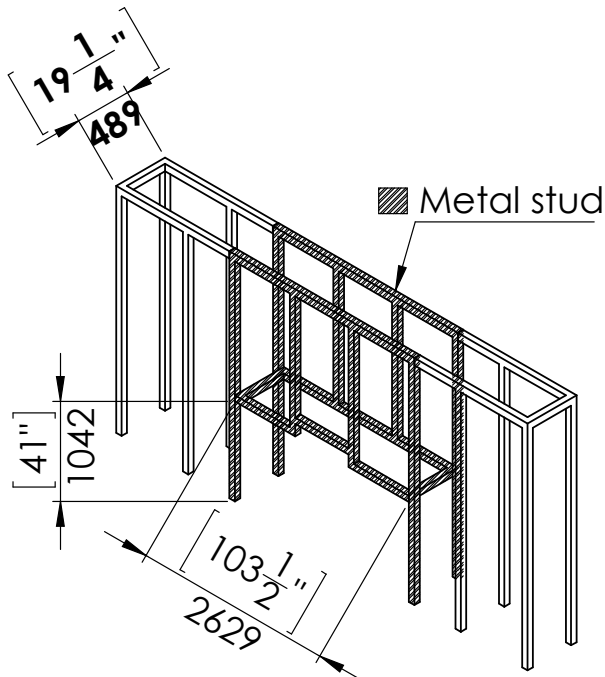
## Flat Installation



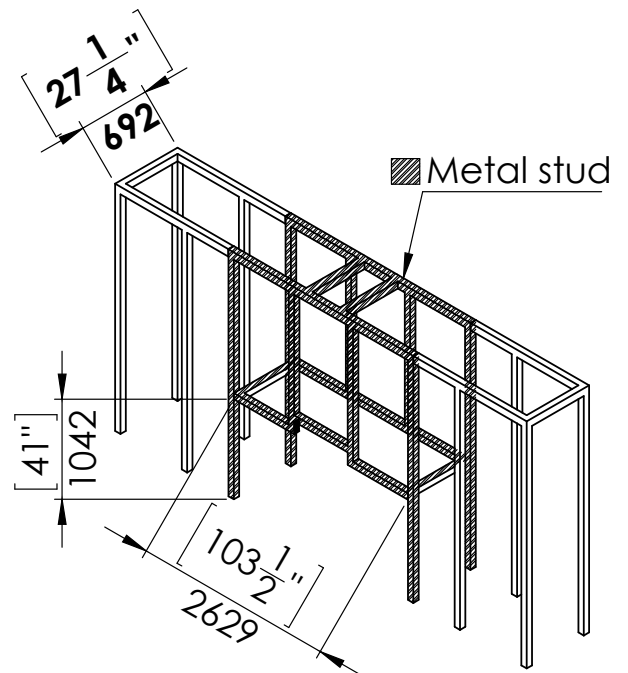
## L Shape Installation



### Step 1 - Basic Framing :

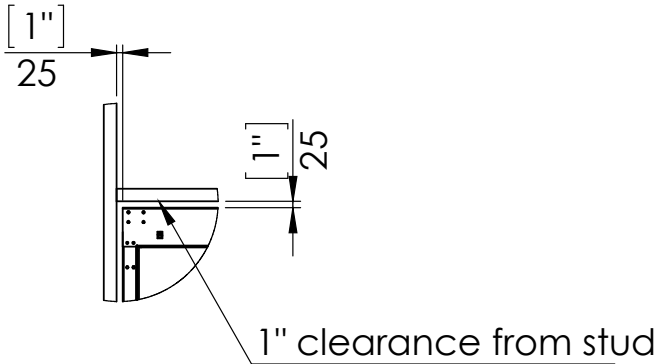
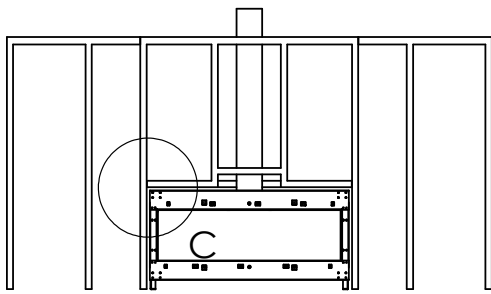
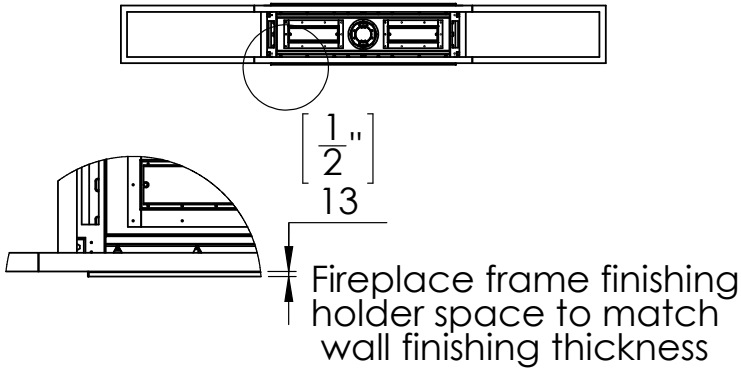


### Step 1 - Basic Framing :

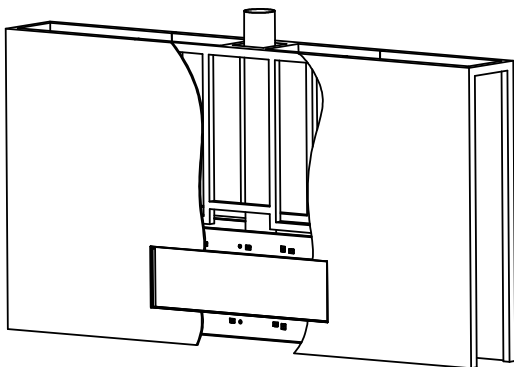


## Flat Installation

Step 2 -Positioning the Fireplace:

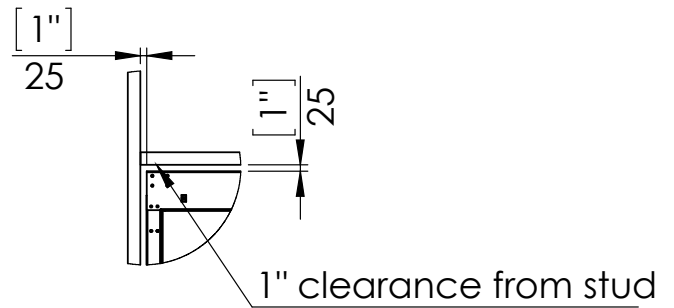
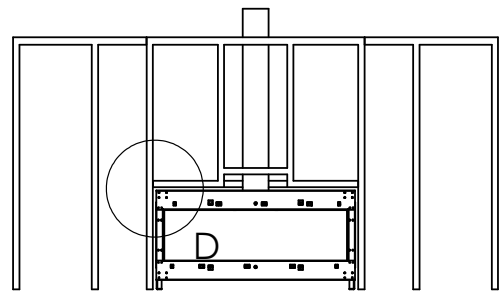
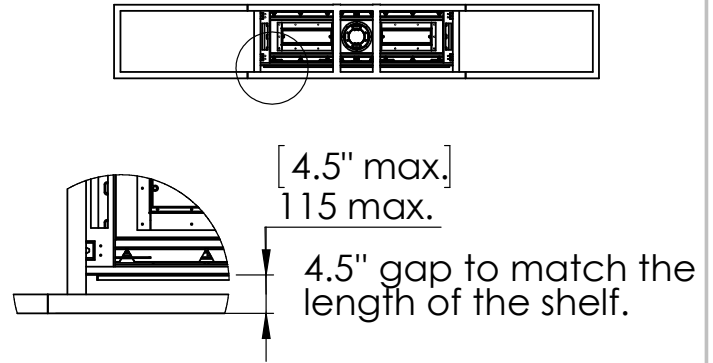


Last Step - Finishing The Fireplace Wall:

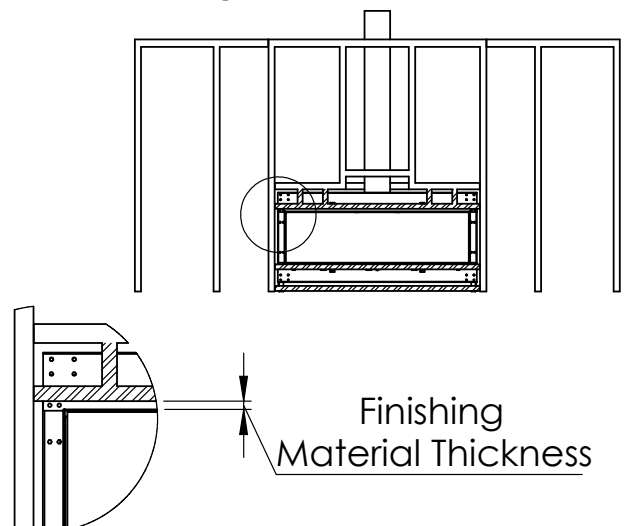


## L Shape Installation

Step 2 -Positioning the Fireplace:

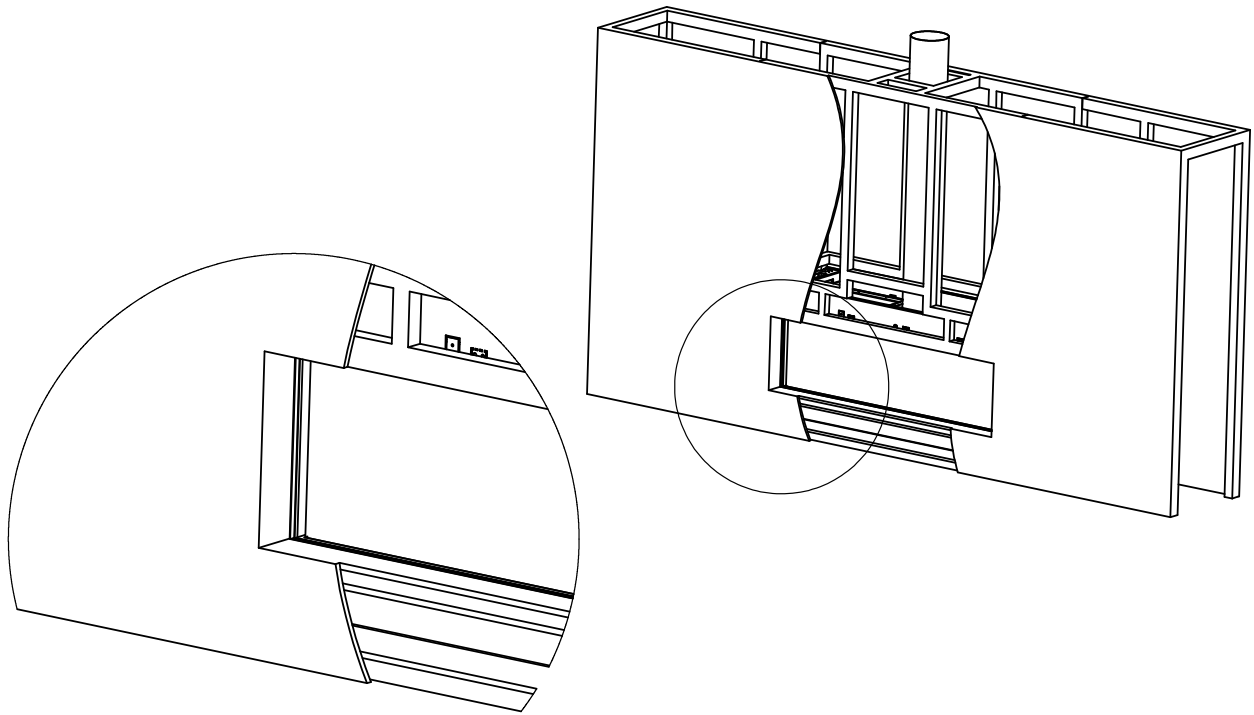


Step 3 - Framing Front Studs For L Shape:



## L Shape Finishing Install

Last Step - Finishing The Fireplace Wall:



## Specifications for Appliance Flare See Through 100H Commercial

Factor	NG	LPG
Burner Type	55,105,55	55,105,55
Orifice	550,1200,550	180,260,180
BTU Max.	60000	62000
BTU min.	32500	25500
Kw/h	17.5k	17.5k
Chimney Diameter	5X8	5X8
Manifold Pressure[w.c]	4.0	7.4
Efficiency rate	82	78
Glass Size Length\Width	2455 X 620 mm	96" 10/16 X 24" 7/16'
Appliance Weigh	270Kg	600lb