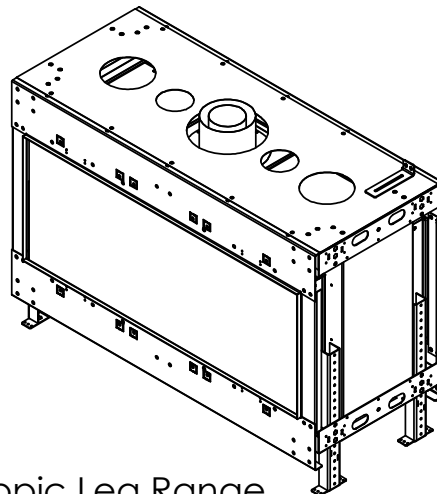
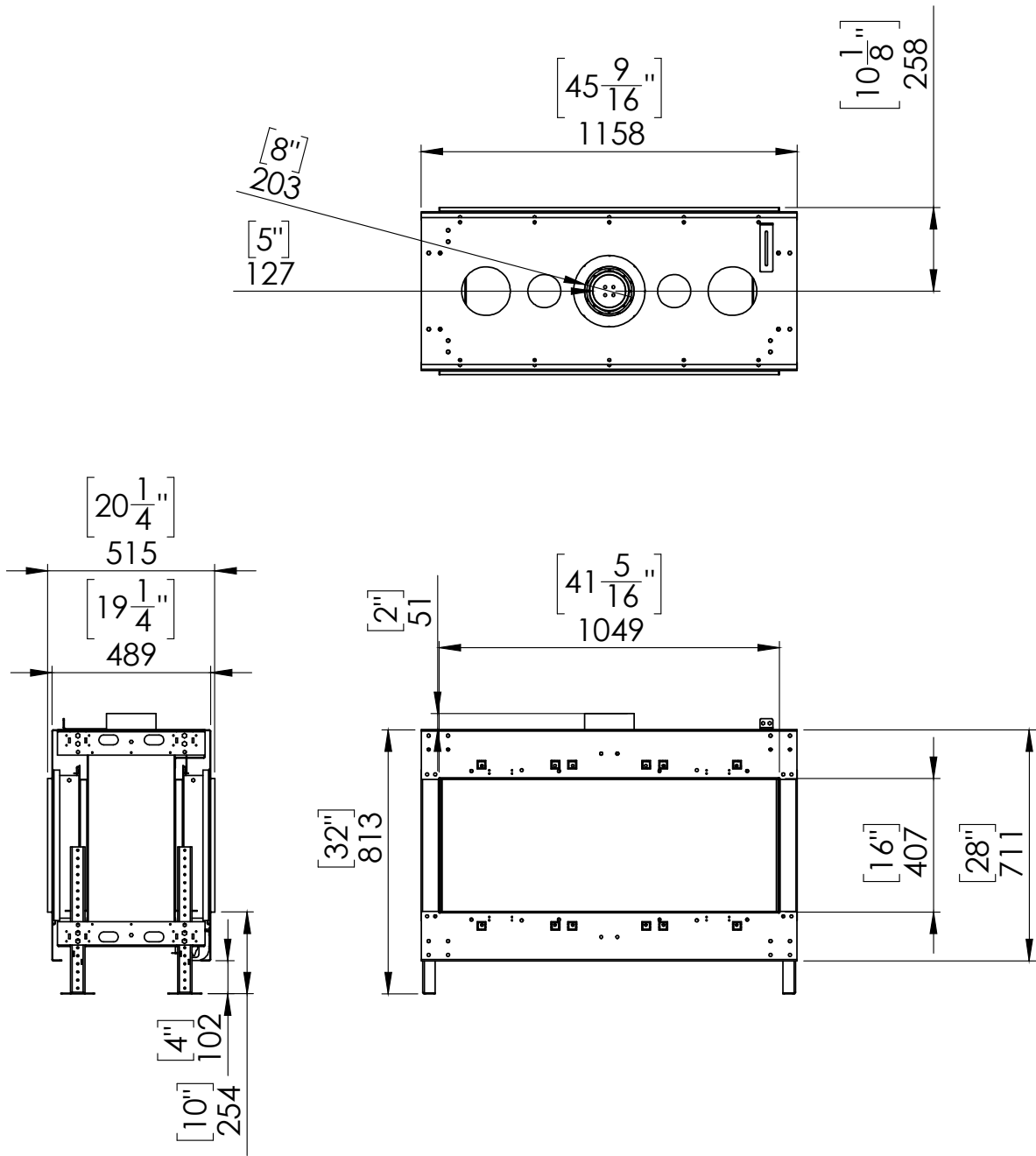
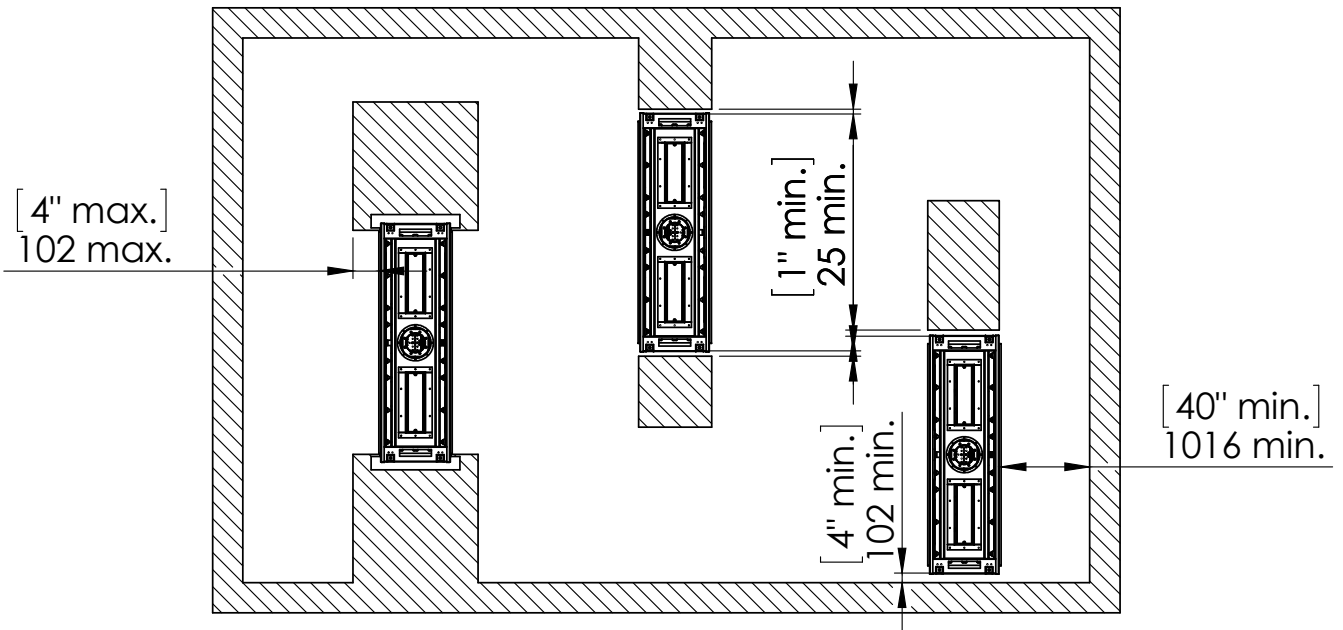




FLARE See Through 45 Commercial



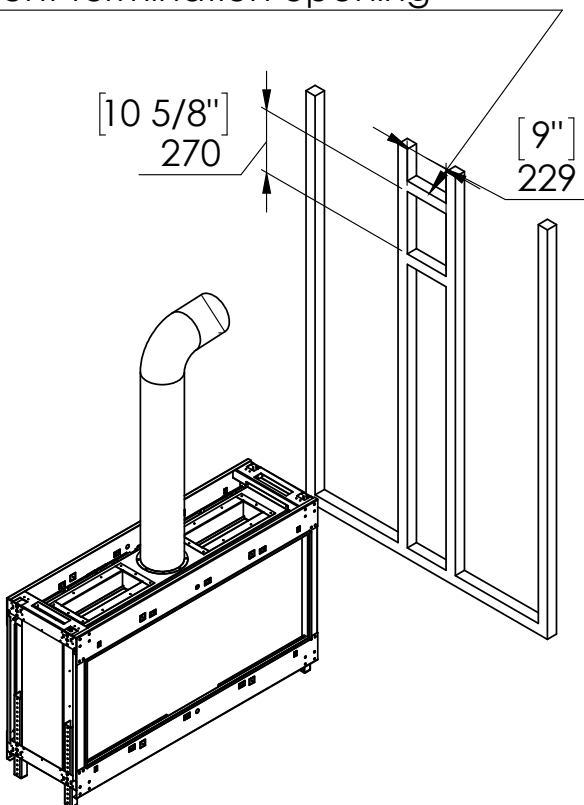
Telescopic Leg Range
From bottom of glass: 10"-19"



Chimney Installation

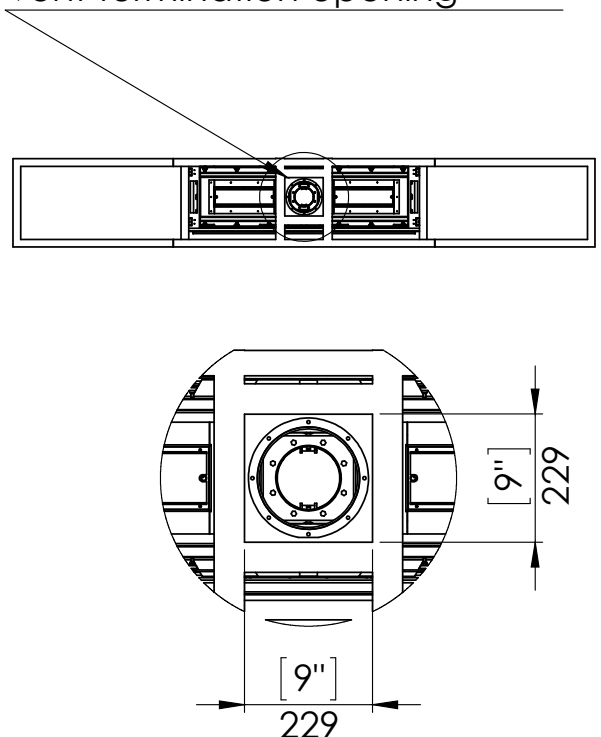
Horizontal Termination

For 4 x 6 vent size create 9" x 10 5/8" vent termination opening

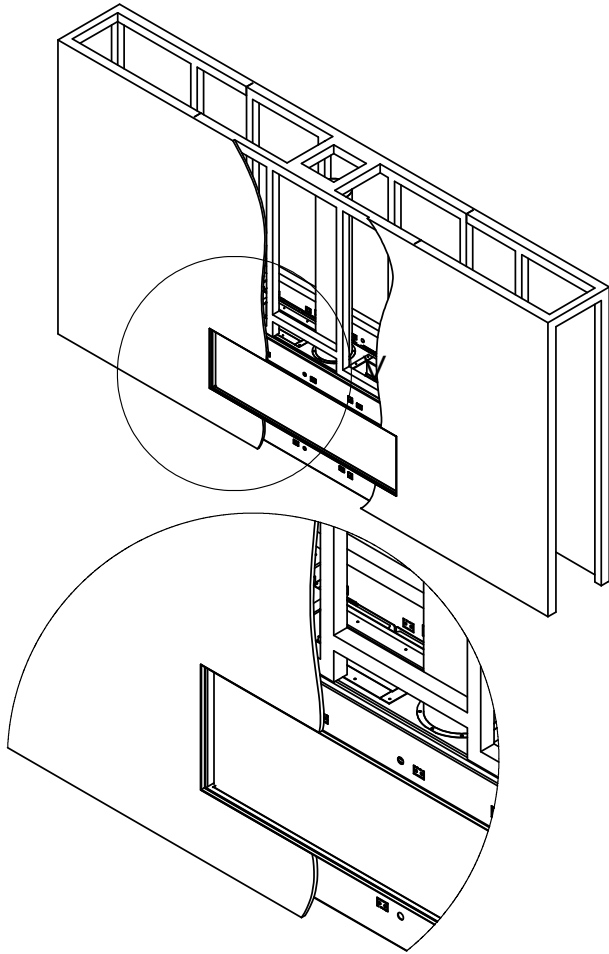


Vertical Termination

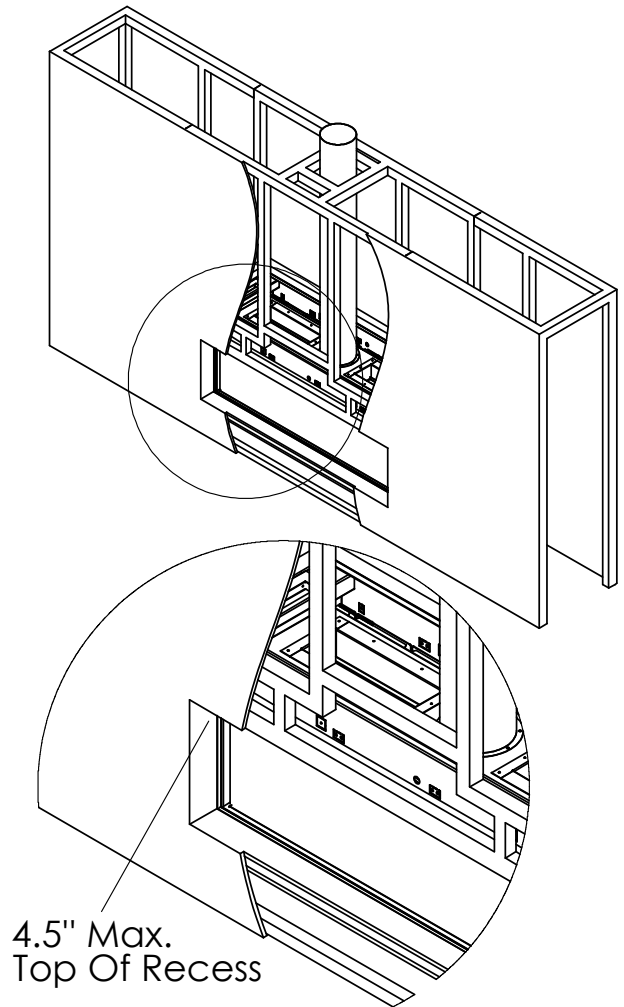
For 4 x 6 vent size create 9" x 9" vent termination opening



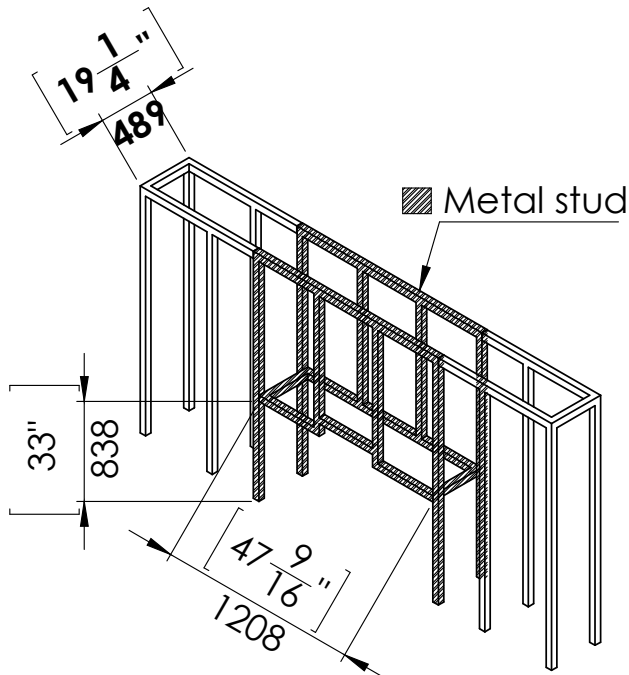
Flat Installation



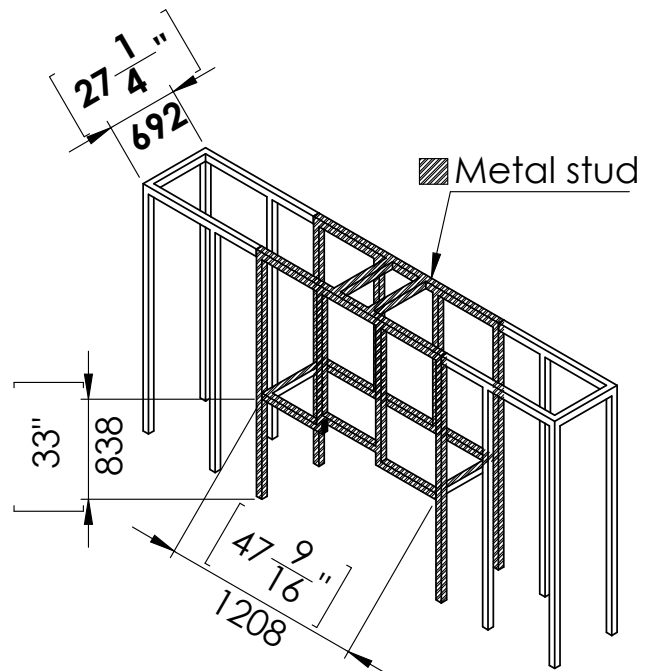
L Shape Installation



Step 1 - Basic Framing :

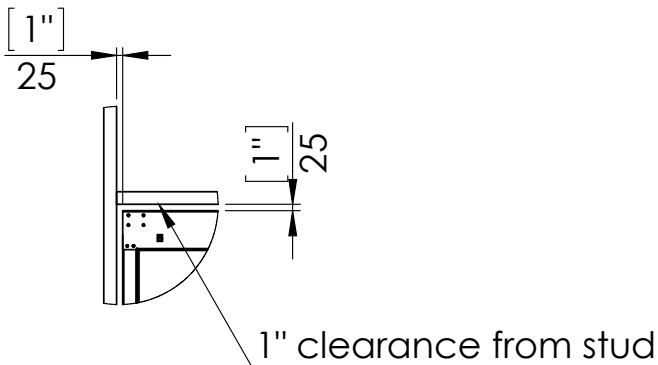
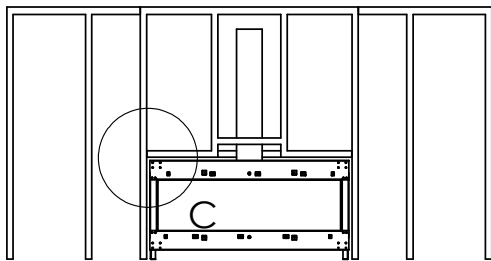
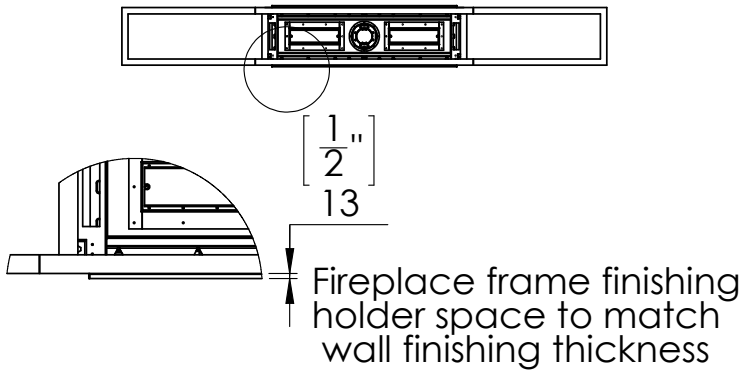


Step 1 - Basic Framing :

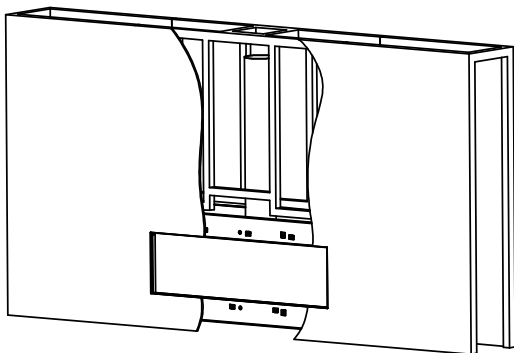


Flat Installation

Step 2 -Positioning the Fireplace:

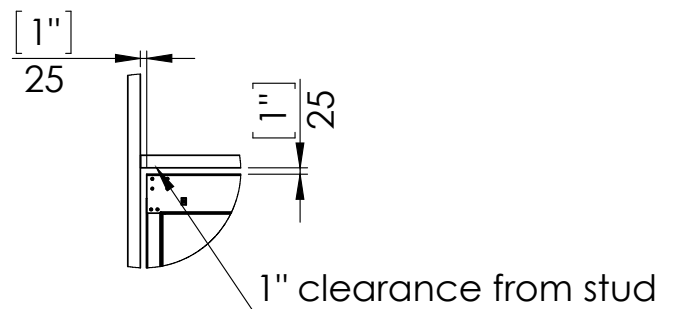
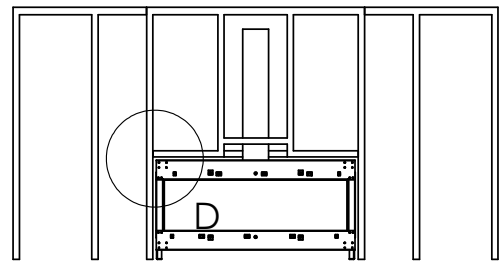
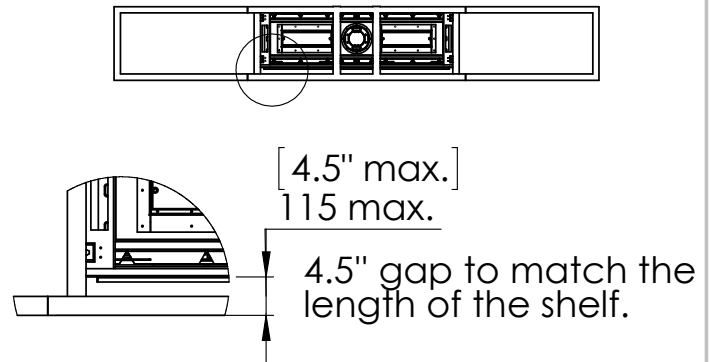


Last Step - Finishing The Fireplace Wall:

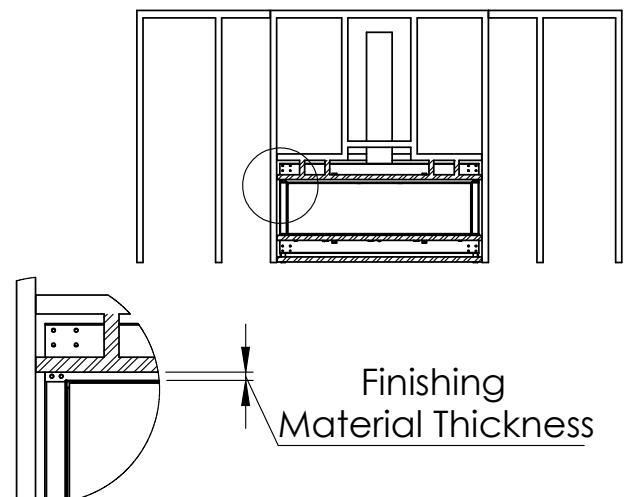


L Shape Installation

Step 2 -Positioning the Fireplace:

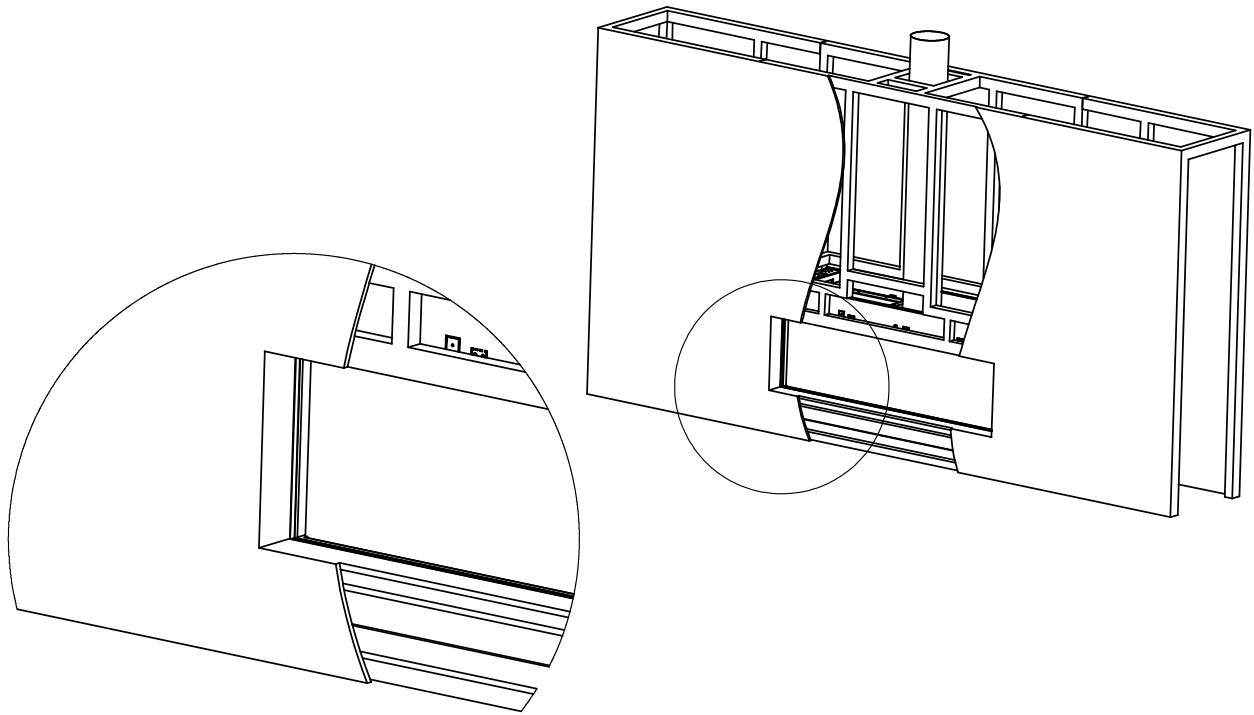


Step 3 - Framing Front Studs For L Shape:



L Shape Finishing Install

Last Step - Finishing The Fireplace Wall:



Specifications for Appliance Flare See Through 45 Commercial

Factor	NG	LPG
Burner Type	80	80
Orifice	1000	260
BTU Max.	36800	26300
BTU min.	22000	17750
Kw/h	10.8k	7.7k
Chimney DIA.	5X8	5X8
Manifold Pressure[w.c]	Screen- 4.7 Double Glass-7.1	10.4
Efficiency rate	82	83
Glass Size Length\Width	1035 X 423 mm	40" 3/4 X 16" 11/16'
Appliance Weigh	105Kg	232lb