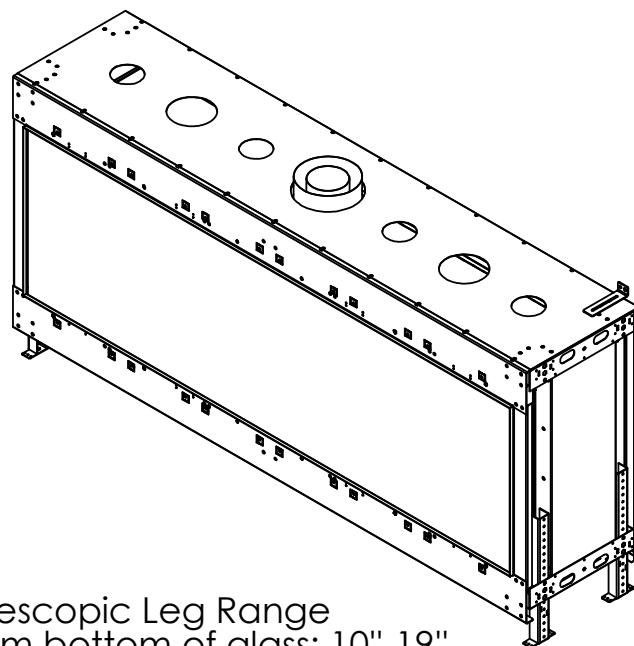
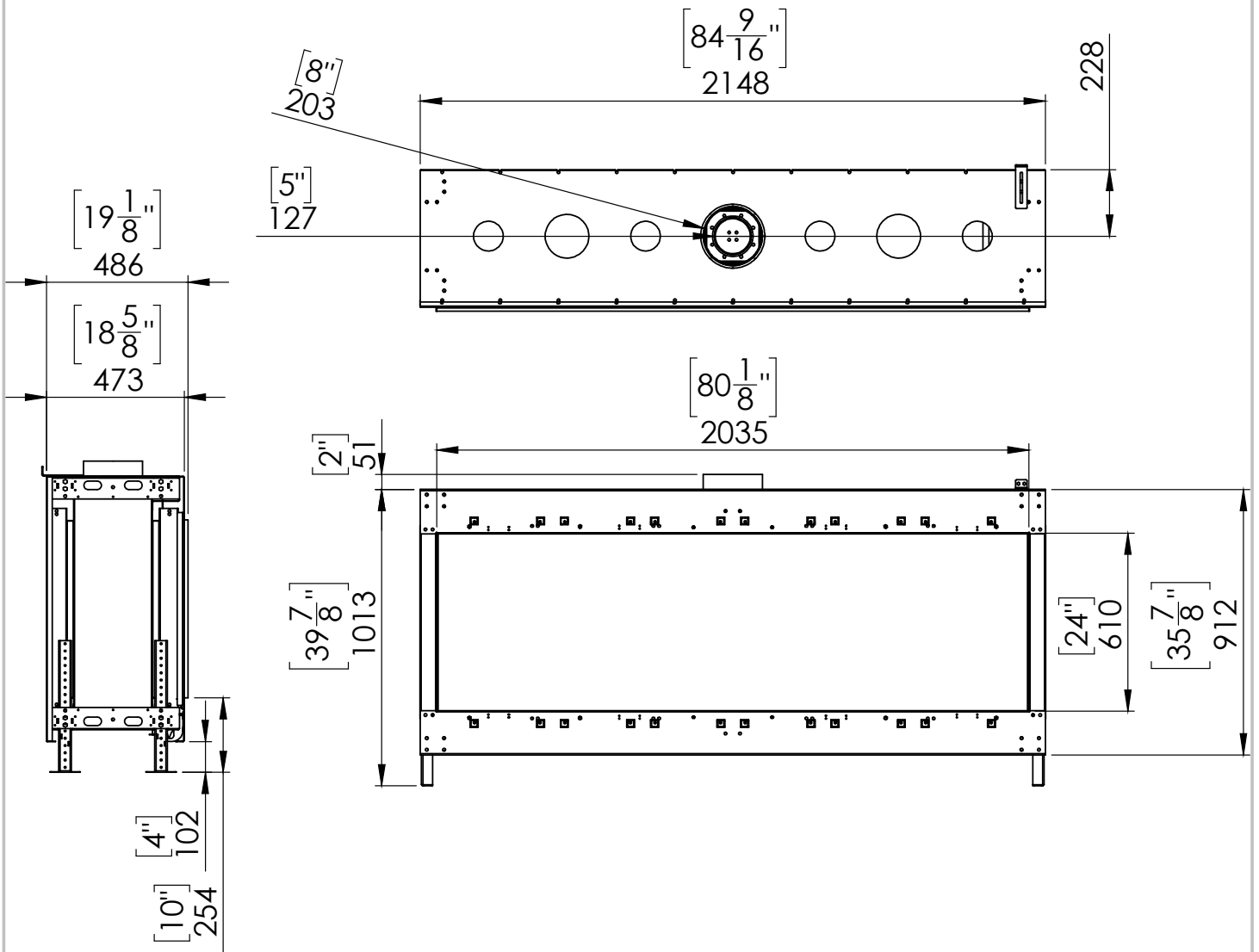
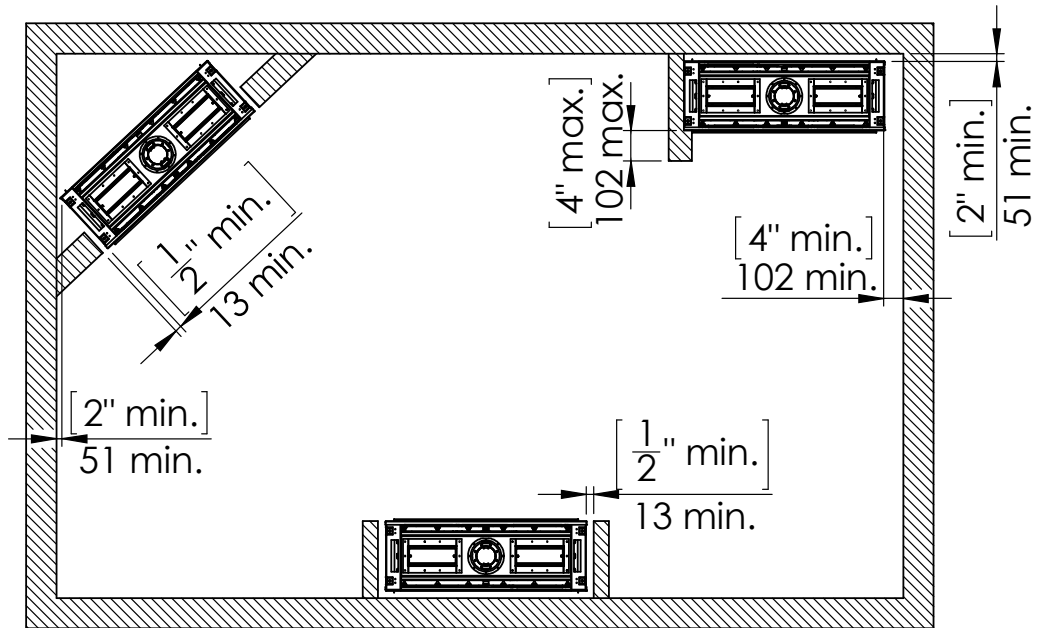


Flare Front 80H Commercial



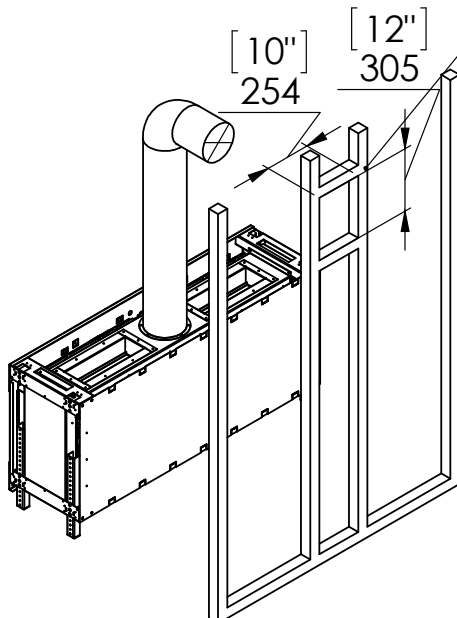
Telescopic Leg Range
From bottom of glass: 10"-19"



Chimney Installation

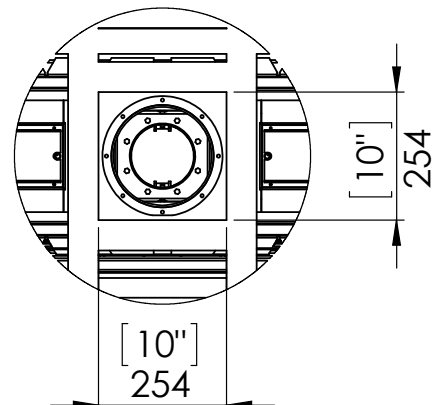
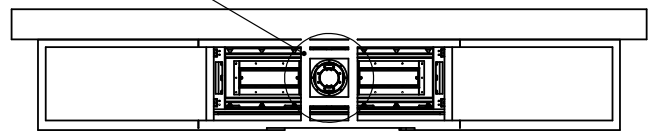
Horizontal Termination

For 5 x 8 vent size create 10" x 12" vent termination opening

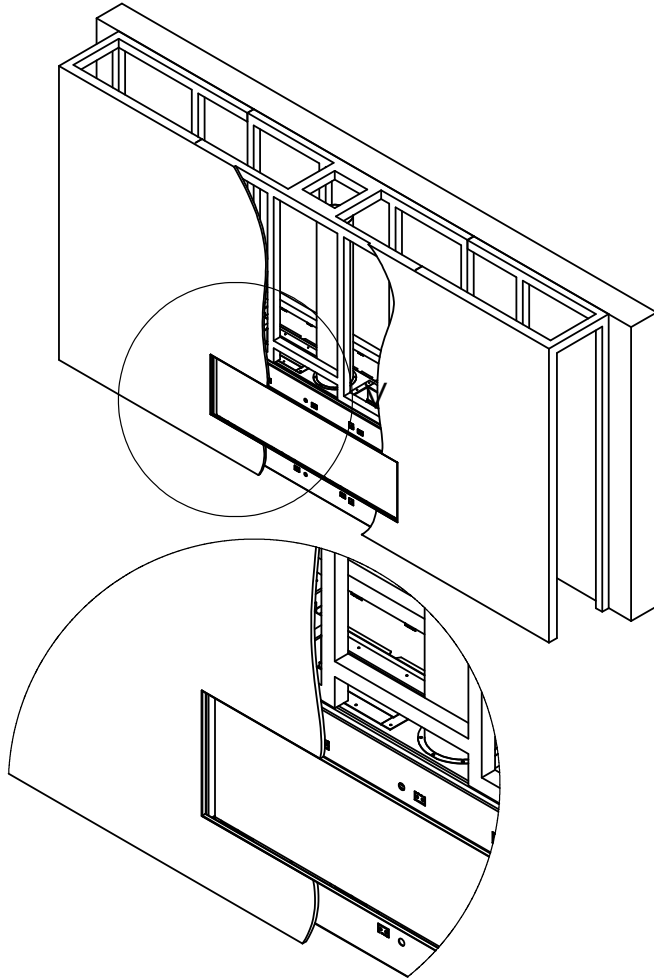


Vertical Termination

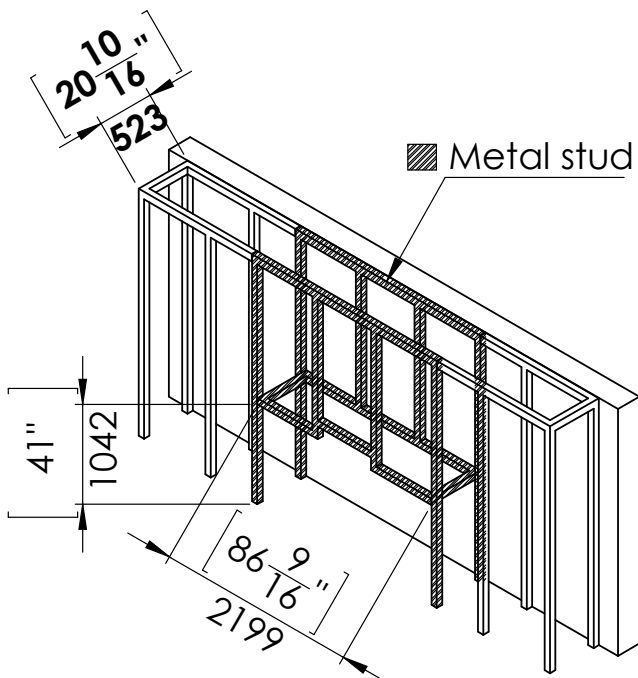
For 5 x 8 vent size create 10" x 10" vent termination opening



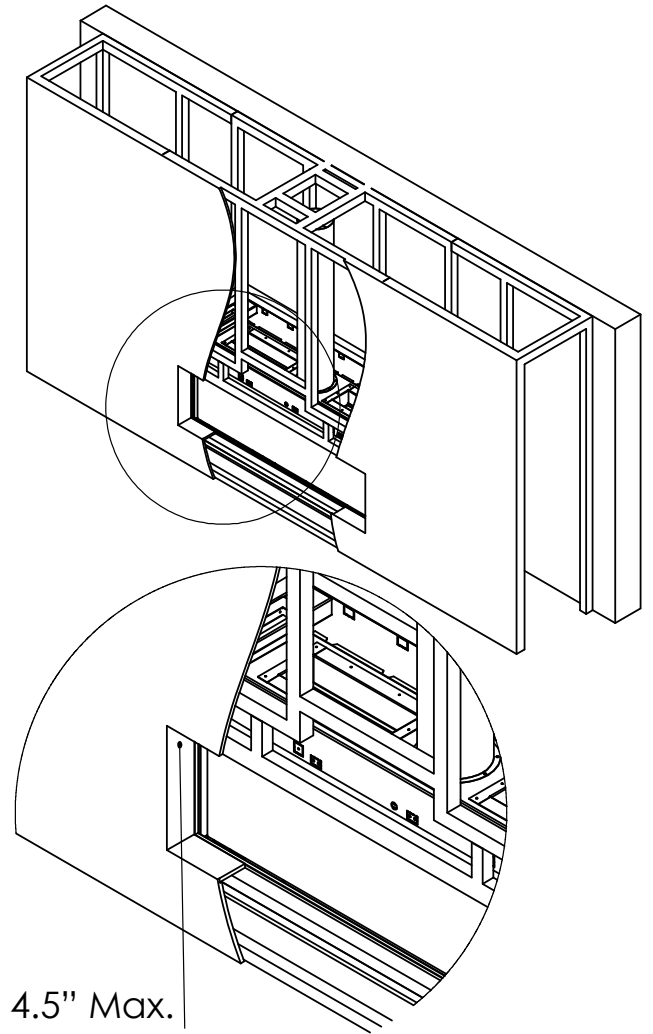
Flat Installation



Step 1 - Basic Framing :

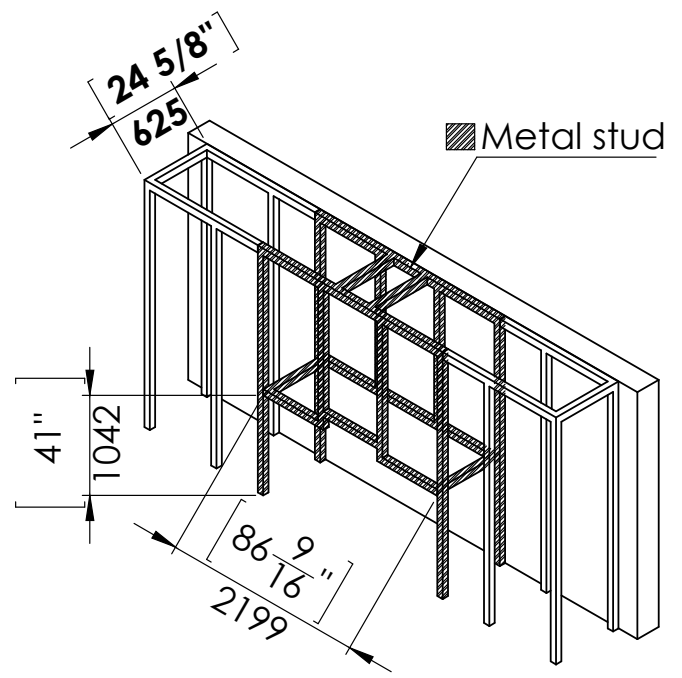


L Shape Installation



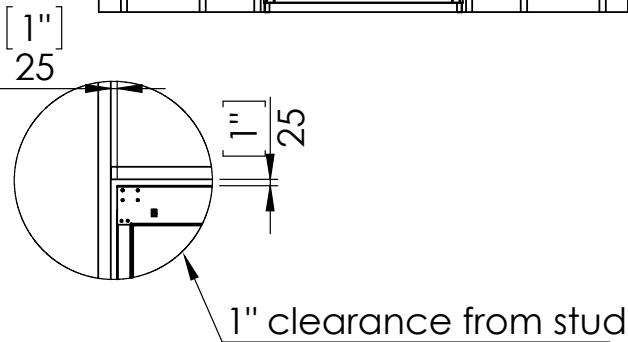
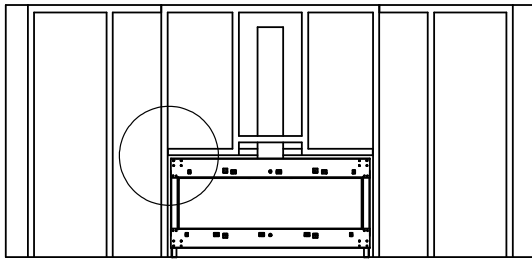
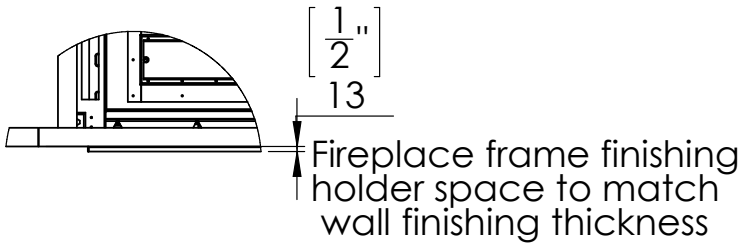
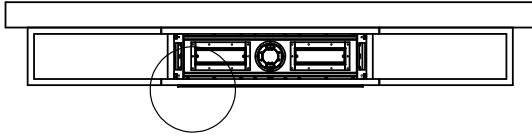
4.5" Max.
Top Of Recess

Step 1 - Basic Framing :

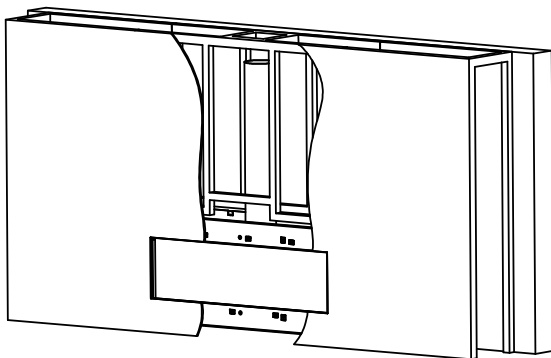


Flat Installation

Step 2 -Positioning the Fireplace:

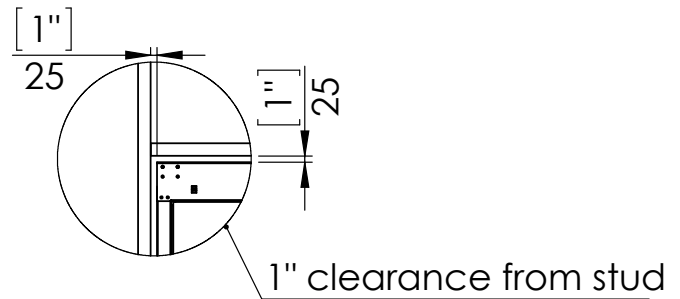
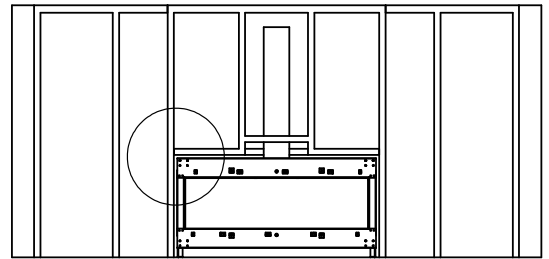
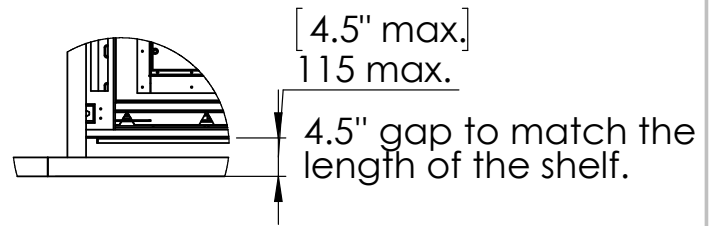
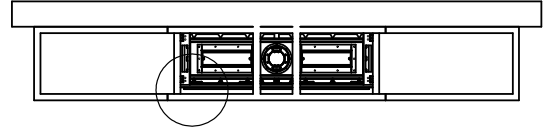


Last Step - Finishing The Fireplace Wall:

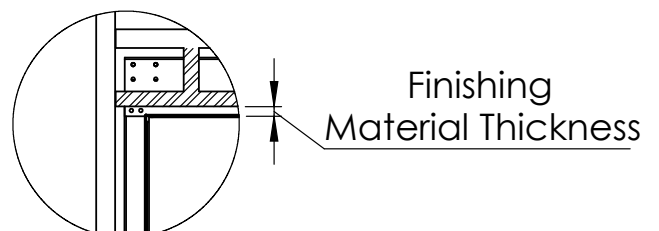
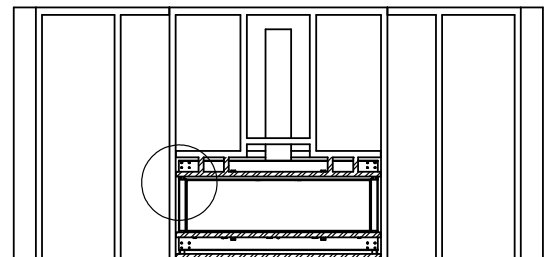


L Shape Installation

Step 2 -Positioning the Fireplace:

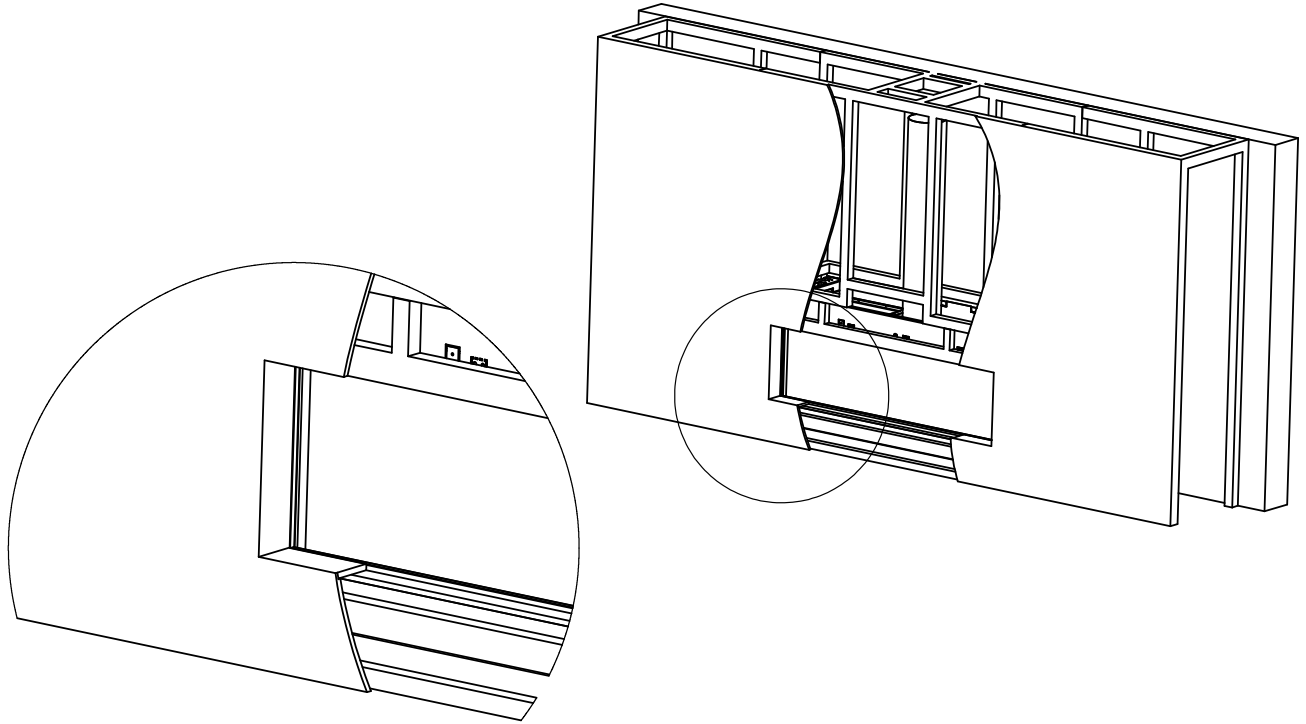


Step 3 - Framing Front Studs For L Shape:



L Shape Finishing Install

Last Step - Finishing The Fireplace Wall:



Specifications for Appliance Flare Front 80H Commercial

Factor	NG	LPG
Burner Type	35,105,35	35,105,35
Orifice	500,1200,500	180,260,180
BTU Max.	55700	46000
BTU min.	31000	20750
Kw/h	16.3k	13.5k
Chimney DIA.	5X8	5X8
Manifold Pressure[w.c]	Screen- 2.6 Double glass -5.4	6.4
Efficiency rate	82	80
Glass Size Length\Width	2025 X 620 mm	79" 3/4 X 24" 7/16'
Appliance Weigh	230Kg	507lb