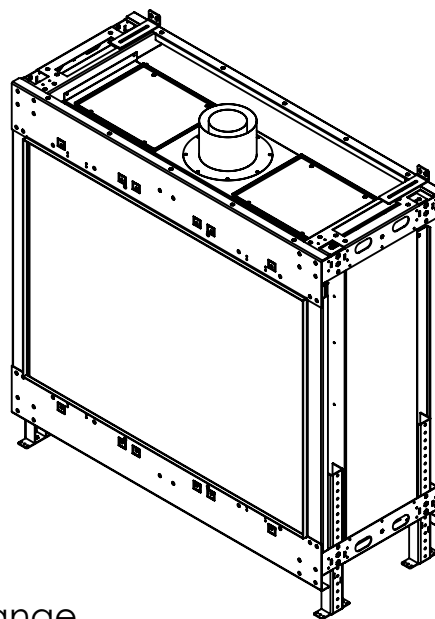
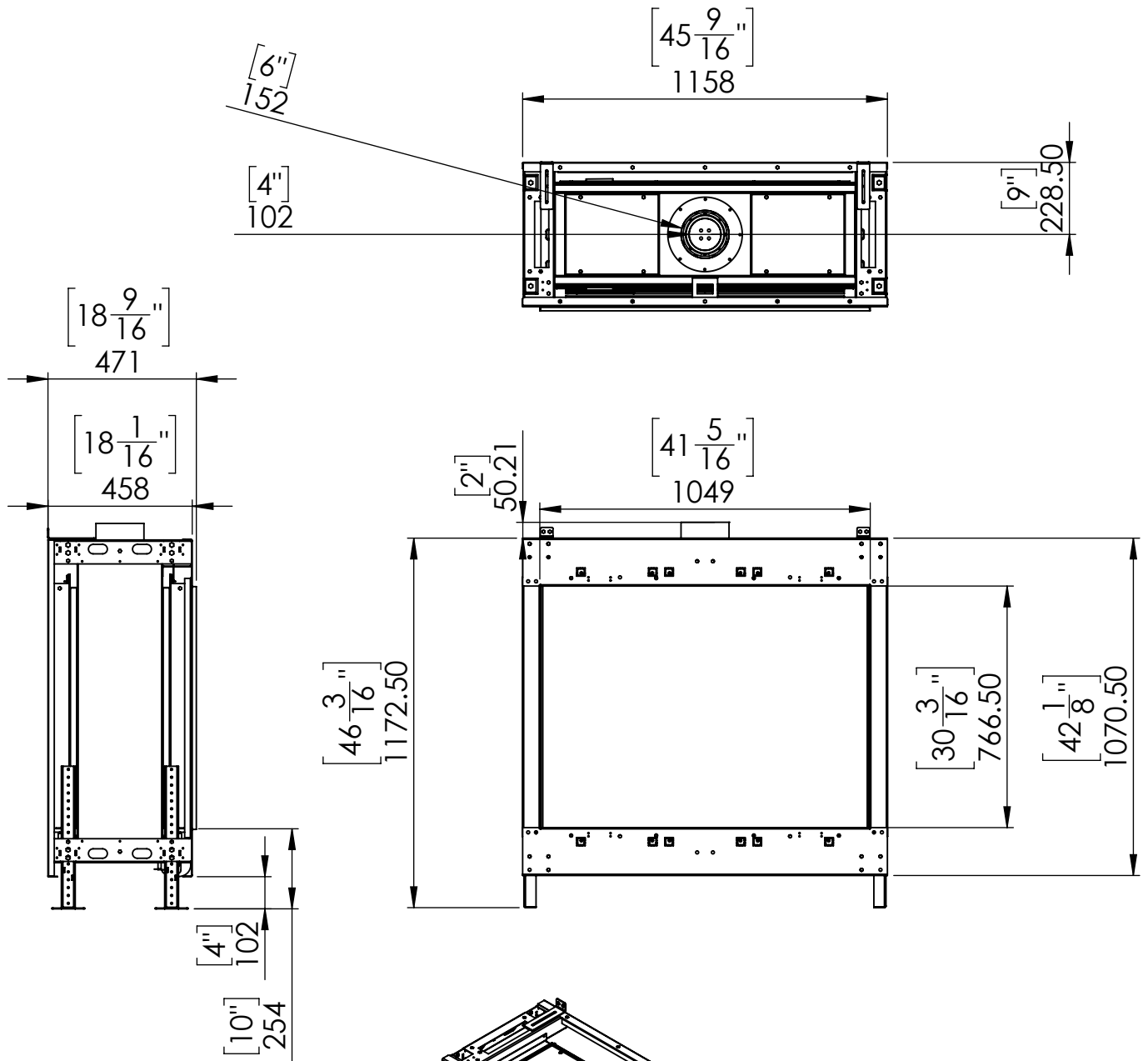
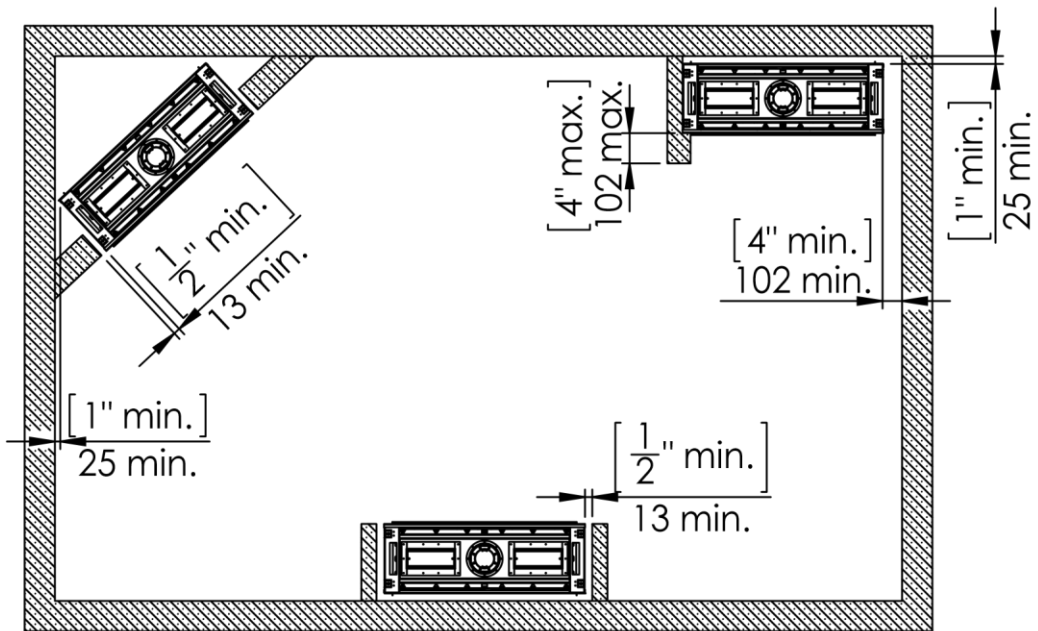


Flare Front 45EH



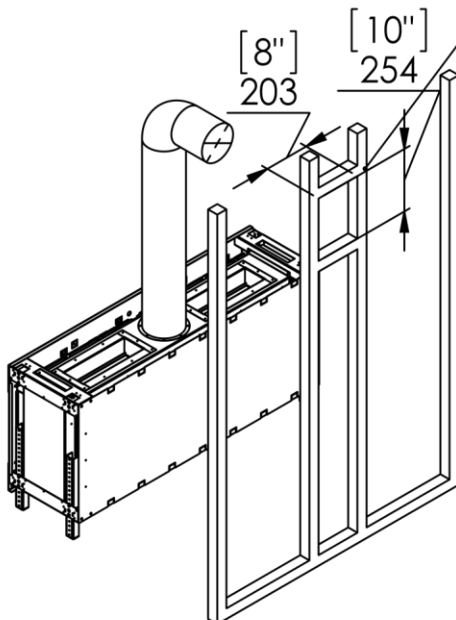
Telescopic Leg Range
From bottom of glass: 10"-19"



Chimney Installation

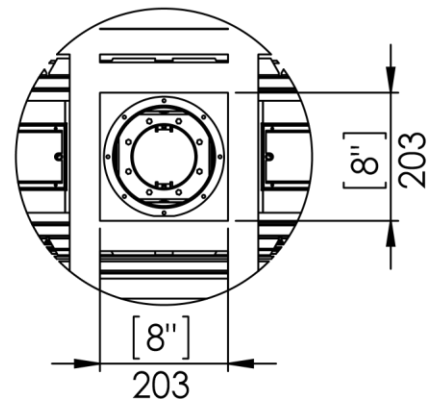
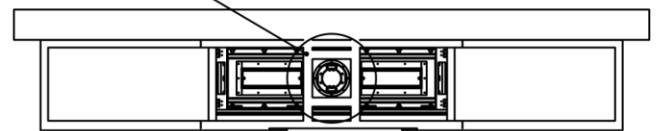
Horizontal Termination

For 4 x 6 vent size create 8" x 10" vent termination opening



Vertical Termination

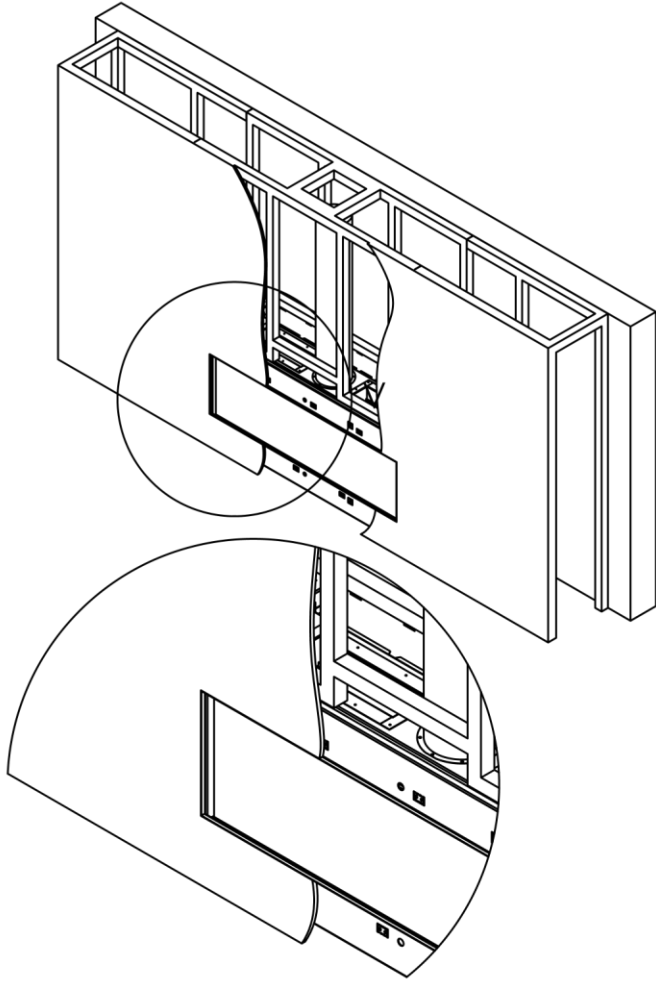
For 4 x 6 vent size create 8" x 8" vent termination opening



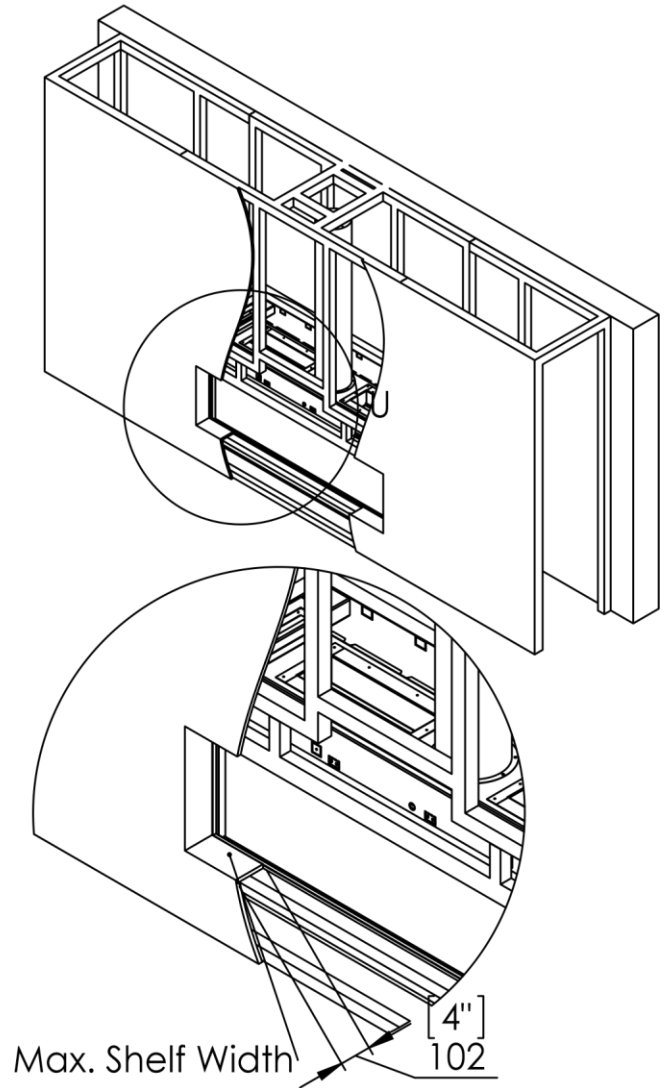


Flat Vs. L Shape Installation For FLARE Front Fireplace

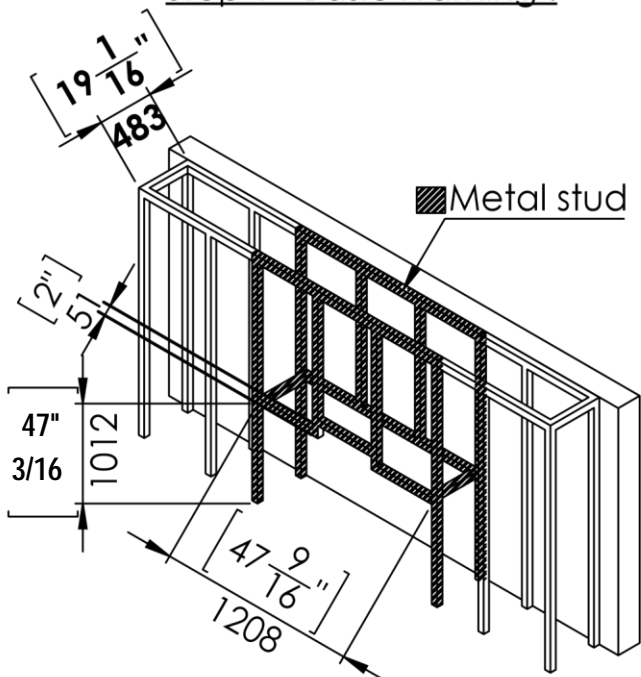
Flat Installation



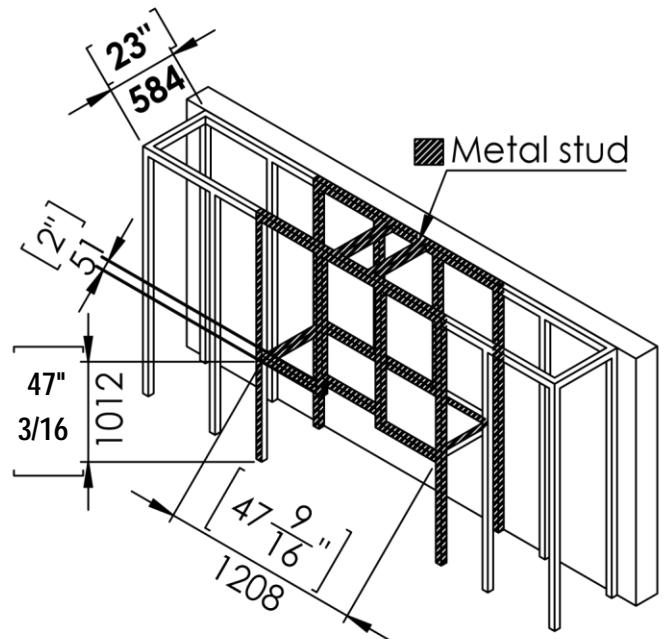
L Shape Installation



Step 1 - Basic Framing :

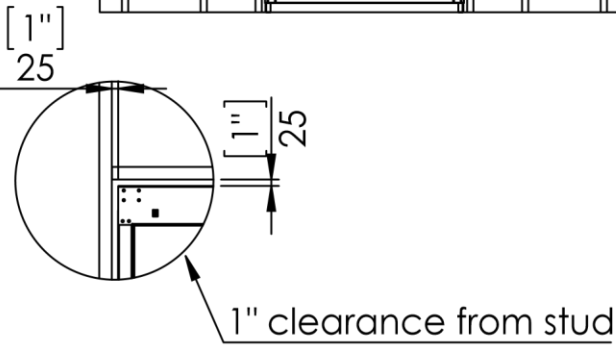
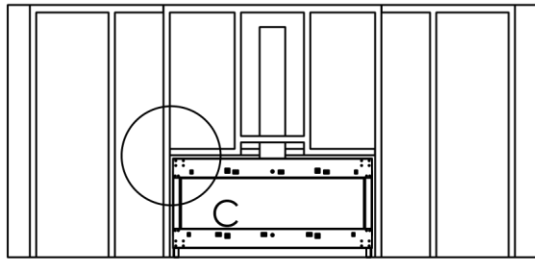
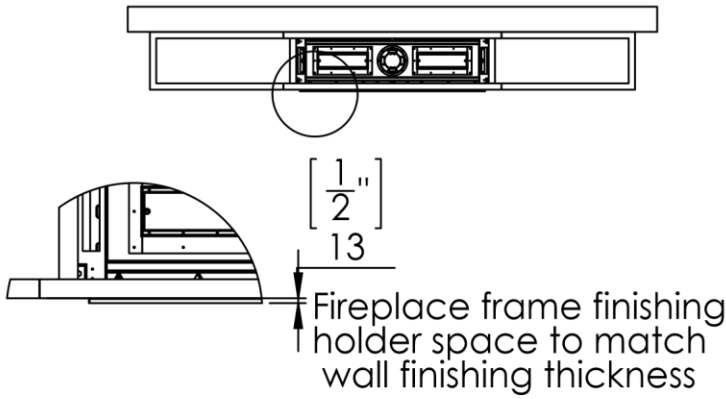


Step 1 - Basic Framing :

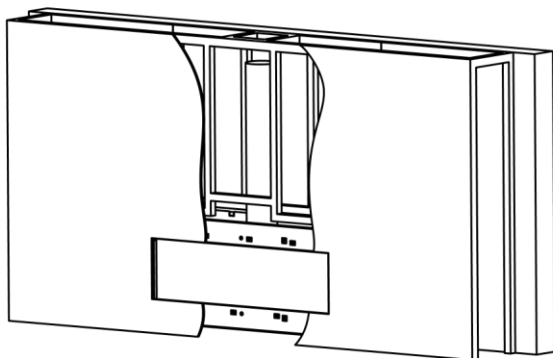


Flat Installation

Step 2 -Positioning the Fireplace:

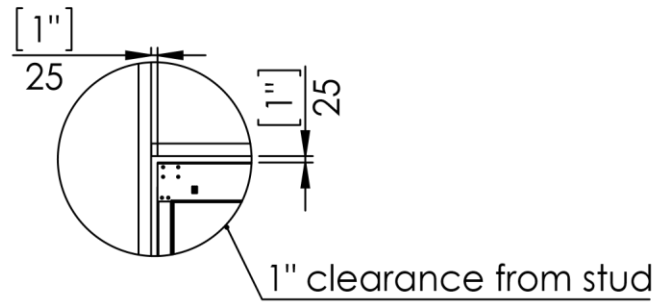
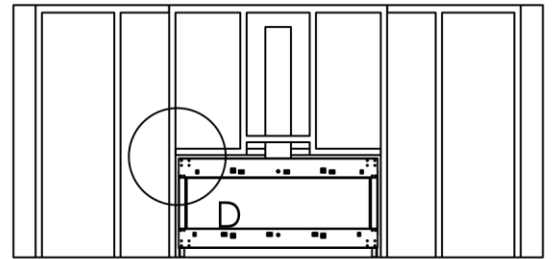
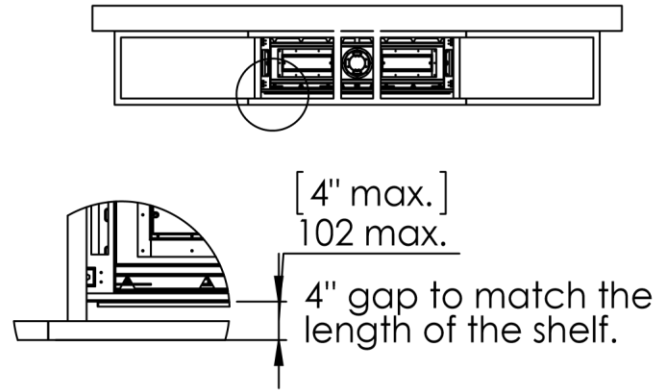


Last Step - Finishing The Fireplace Wall:

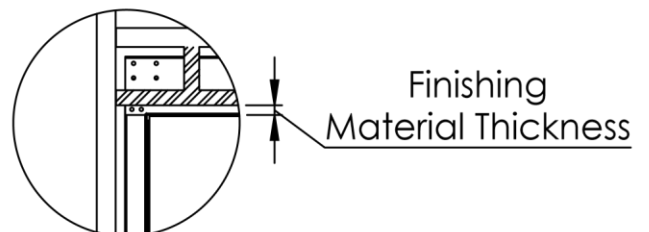
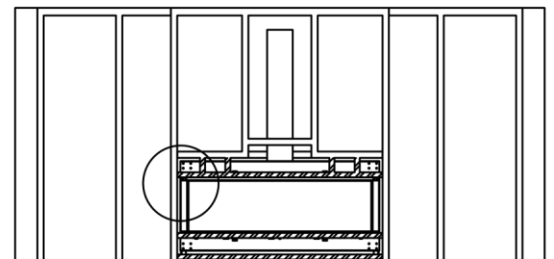


L Shape Installation

Step 2 -Positioning the Fireplace:

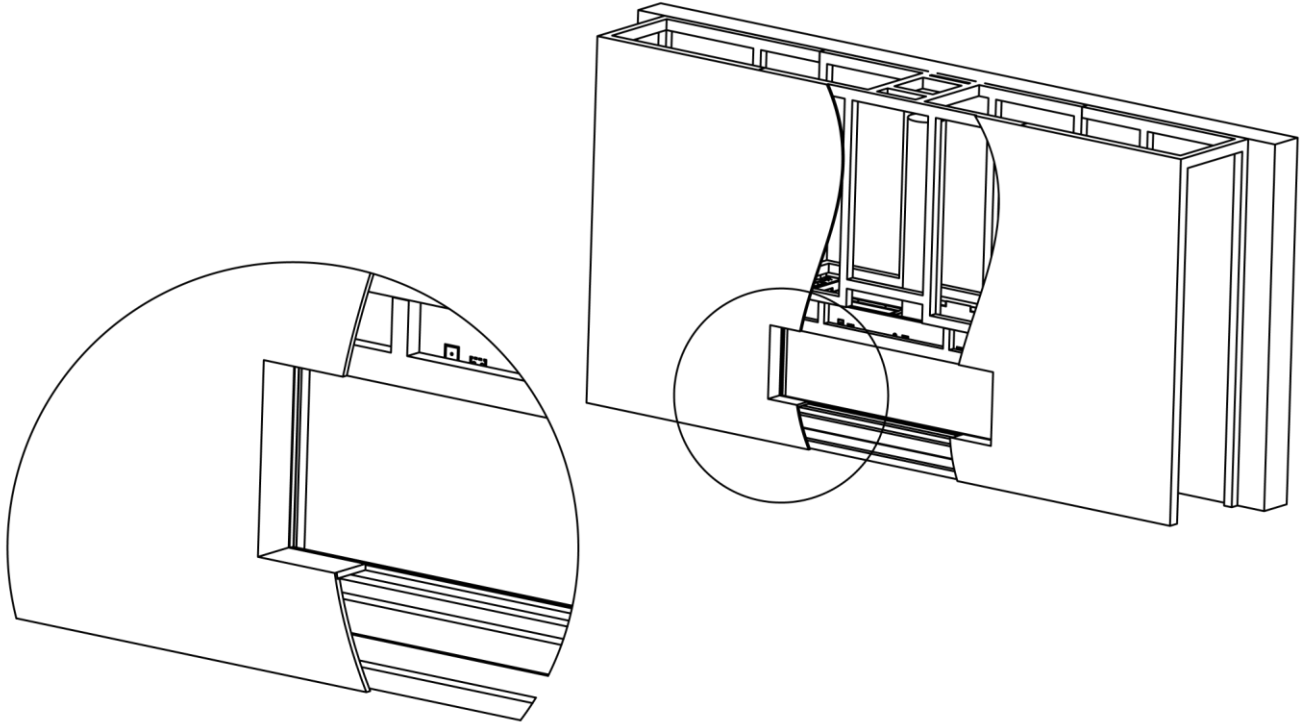


Step 3 - Framing Front Studs For L Shape:



L Shape Finishing Install

Last Step - Finishing The Fireplace Wall:



Specifications for Appliance

Flare Front 45EH

Factor	NG	LPG
Burner Type	80	80
Orifice	1000	260
BTU Max.	36800	26300
BTU min.	22000	17750
Kw/h	10.8k	7.7k
Chimney DIA.	4x6	4x6
Manifold Pressure[w.c]	4.7	10.4
Efficiency rate	82	83
Glass Size Length\Width	1030 X 767 mm	40" 9/16 X 30" 3/16
Appliance Weigh	122 kg	268 lbs