



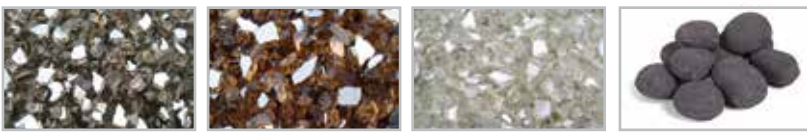
## OUTSTANDING FEATURES:

- Modern linear frameless fireplace. Available from 30"-100" long.
- Up to 65,000 BTU, natural gas or propane.
- Double glass or protective screens, heat barrier.
- New multi color LED option.
- Electronic ignition with battery backup.
- "Cold wall" above fireplace, perfect for mounting a TV.
- Optional Summer Kit system.
- Optional Power Vent system.
- Optional ceramic reflective back.
- Includes touch remote control and wall switch.

## MODEL SIZE

Model	A	B	C	H	E
Flare-FF-100	101 8/16	97 3/16	16	28	5x8
Flare-FF-80	84 9/16	80 1/16	16	28	5x8
Flare-FF-70	71 15/16	67 11/16	16	28	5x8
Flare-FF-60	62 2/16	57 13/16	16	28	5x8
Flare-FF-50	52 5/16	48	16	28	5x8
Flare-FF-45	45 9/16	41 5/16	16	28	4x6
Flare-FF-30	32 10/16	28 5/16	24	35 14/16	4x6
Flare-FF-100-H	101 8/16	97 3/16	24	35 14/16	5x8
Flare-FF-80-H	84 9/16	80 1/16	24	35 14/16	5x8
Flare-FF-70-H	71 15/16	67 11/16	24	35 14/16	5x8
Flare-FF-60-H	62 2/16	57 13/16	24	35 14/16	5x8
Flare-FF-50-H	52 5/16	48	24	35 14/16	5x8
Flare-FF-45-H	45 9/16	41 5/16	24	35 14/16	4x6
Flare-FF-100-EH	101 8/16	97 3/16	30	42 1/8	5x8
Flare-FF-80-EH	84 9/16	80 1/16	30	42 1/8	5x8
Flare-FF-70-EH	71 15/16	67 11/16	30	42 1/8	5x8
Flare-FF-60-EH	62 2/16	57 13/16	30	42 1/8	5x8
Flare-FF-50-EH	52 5/16	48	30	42 1/8	5x8
Flare-FF-45-EH	45 9/16	41 5/16	30	42 1/8	4x6

## MEDIA OPTIONS:



Fireglass  
Reflective Silver

Fireglass  
Reflective Bronze

Fireglass  
Reflective Ice

Black Ceramic Pebbles



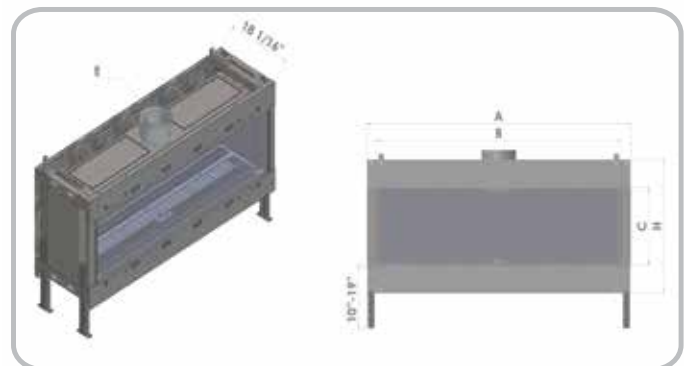
White Ceramic Pebbles



Earth Mix Size Pebbles



Ceramic Wood Logs



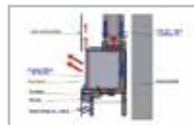
## FEATURES



LED OPTION



SUMMER KIT



DOUBLE GLASS  
OPTION



16\", 24\", & 30\"/>



3D STAINLESS STEEL  
BURNERS



REMOTE CONTROL



WALL SWITCH



BATTERY  
BACKUP

