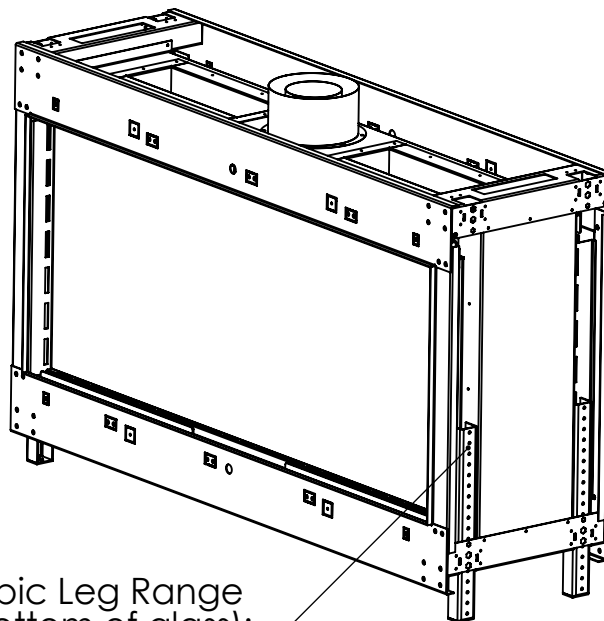
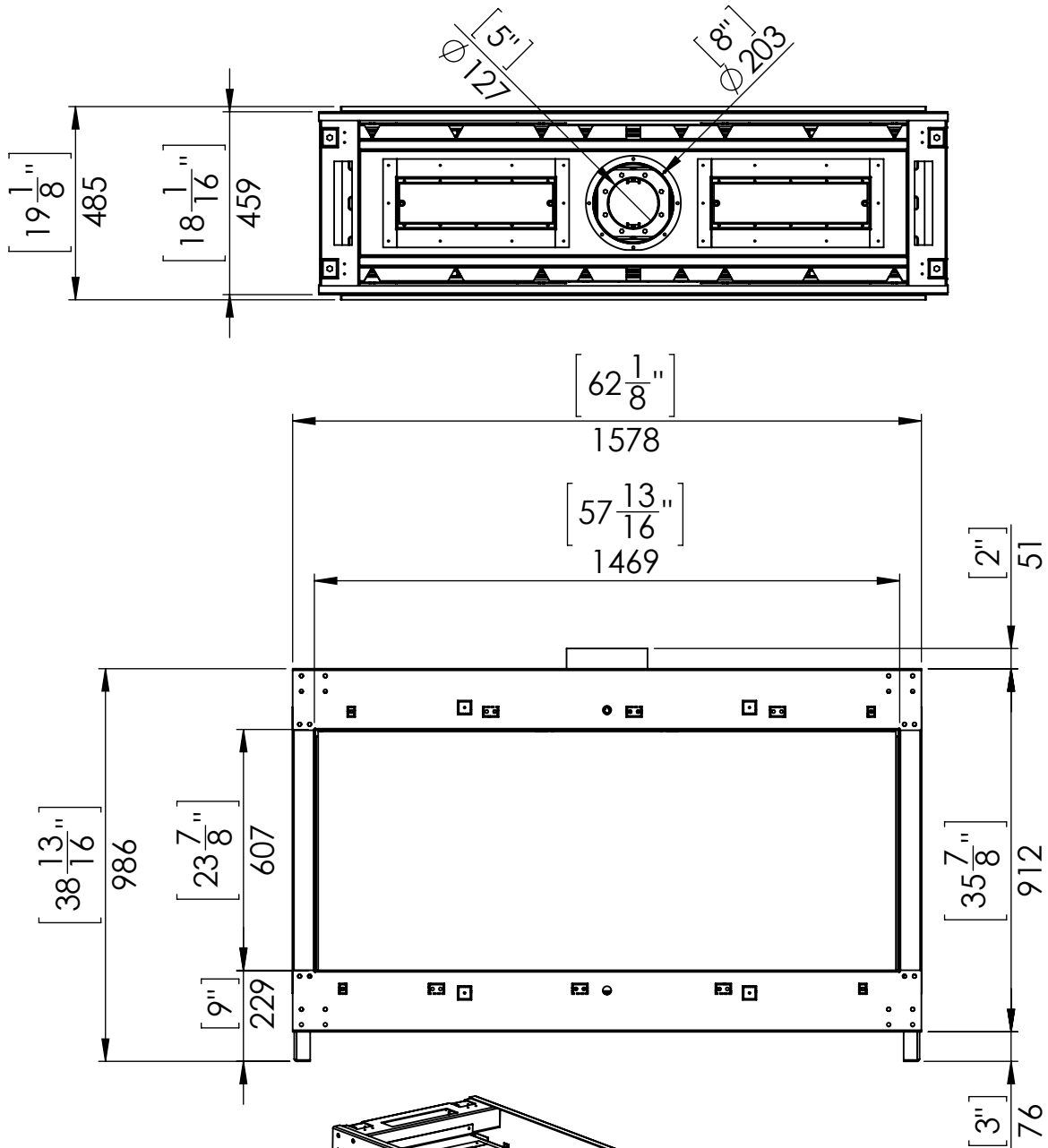
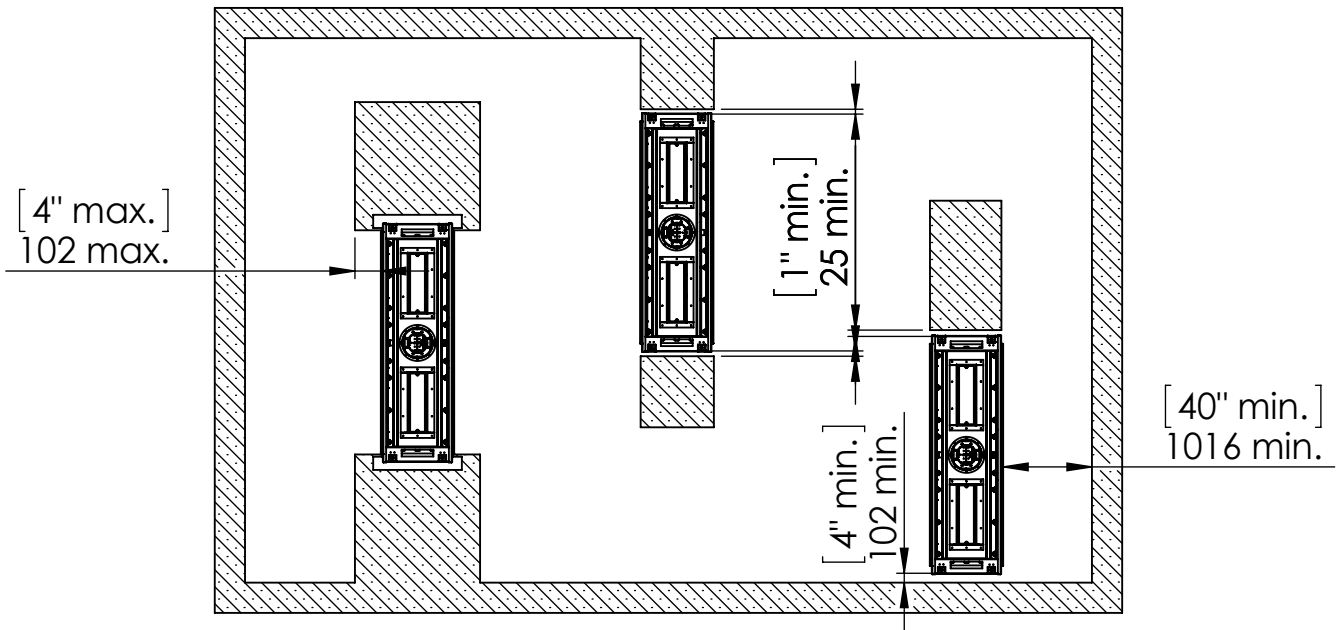


# FLARE See Through 60H



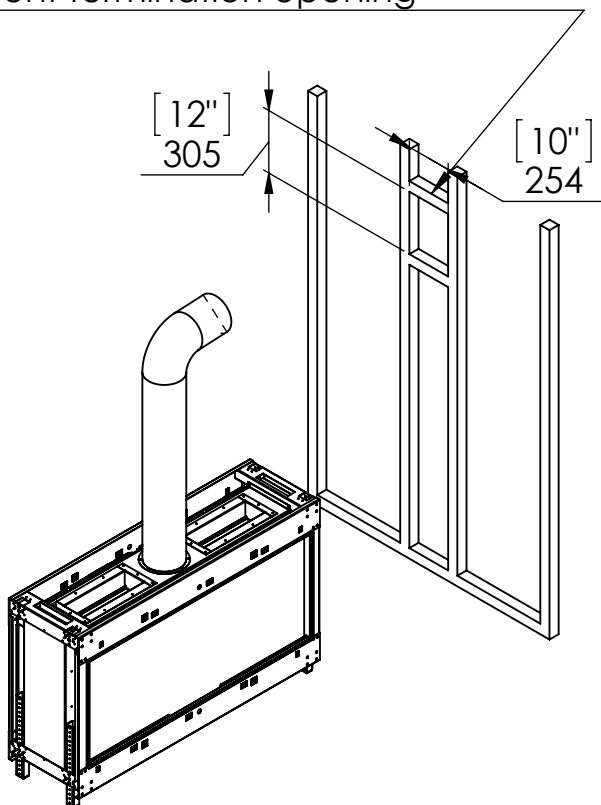
Telescopic Leg Range  
(from bottom of glass):  
9" - 19"



## Chimney Installation

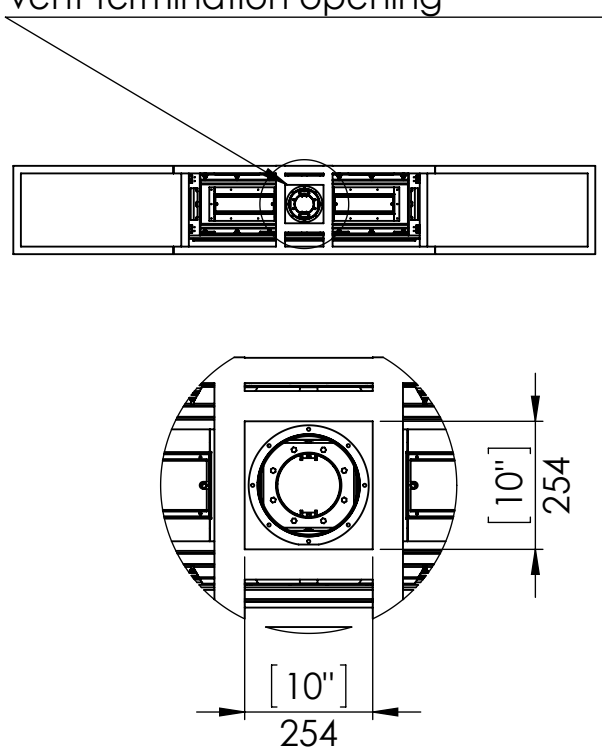
### Horizontal Termination

For 5 x 8 vent size create 10" x 12" vent termination opening

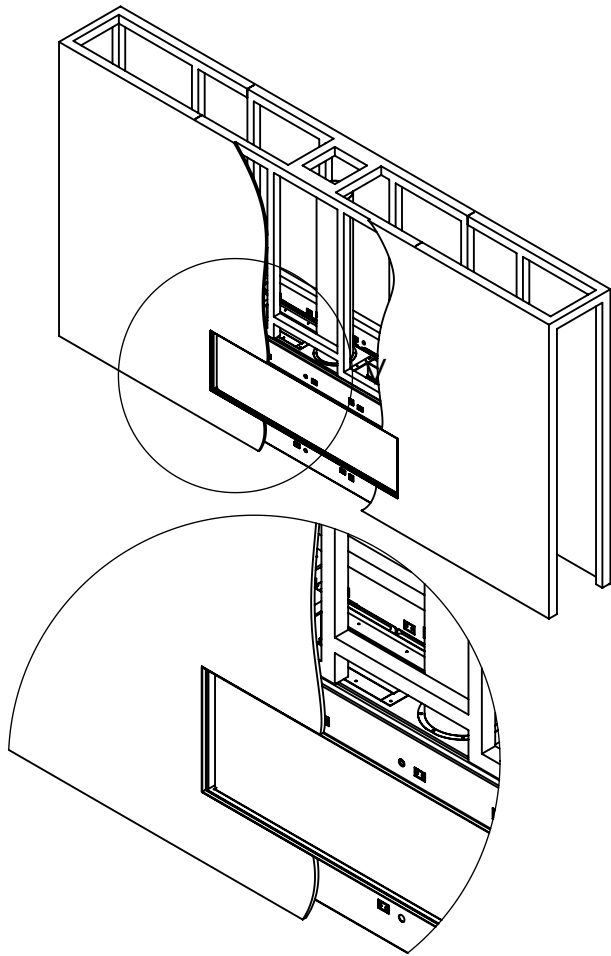


### Vertical Termination

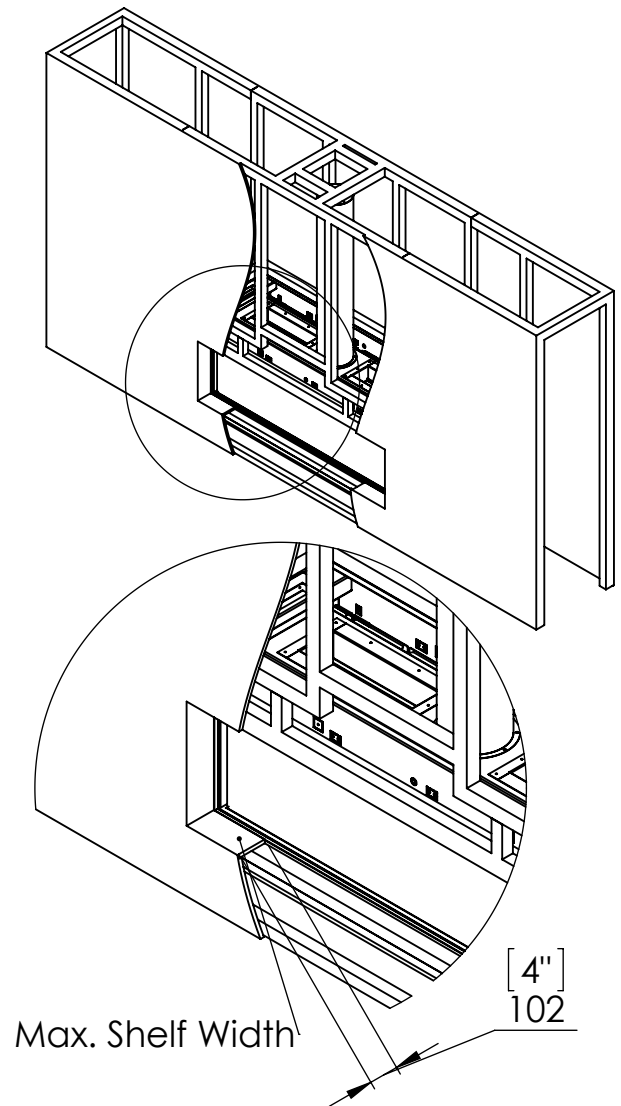
For 5 x 8 vent size create 10" x 10" vent termination opening



## Flat Installation

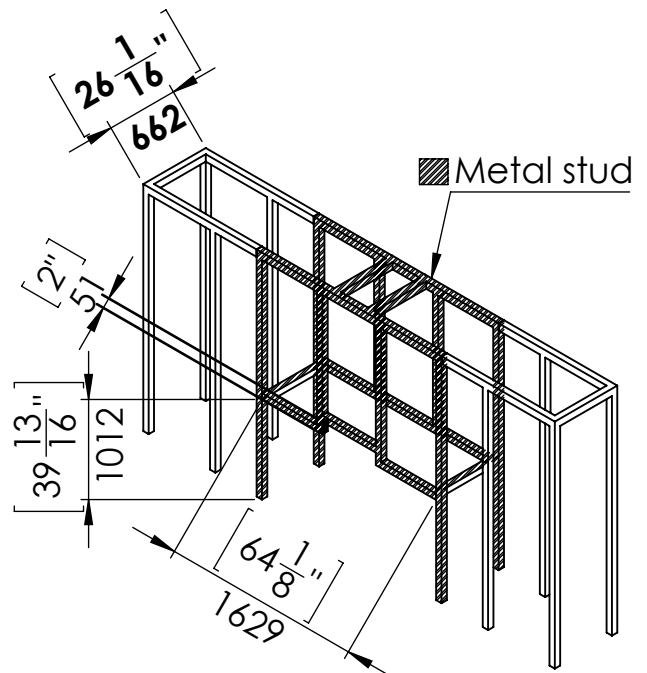
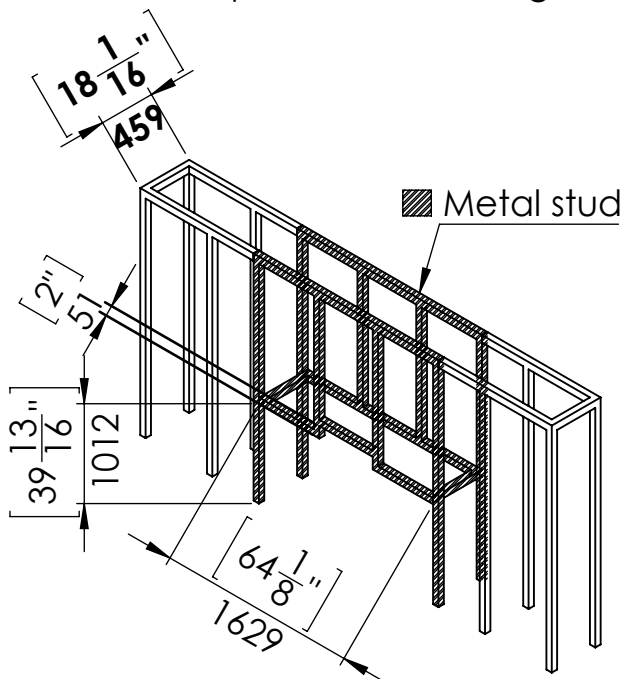


## L Shape Installation



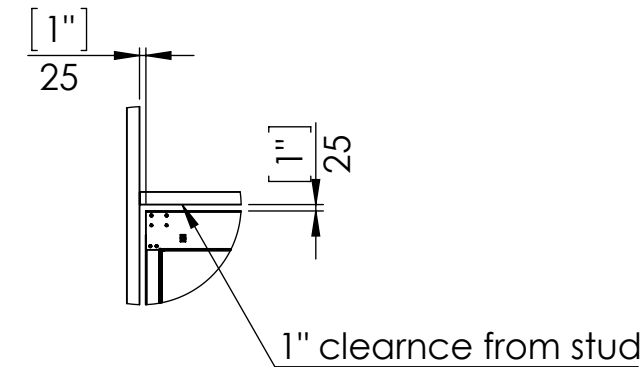
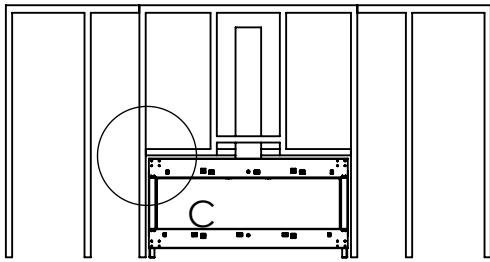
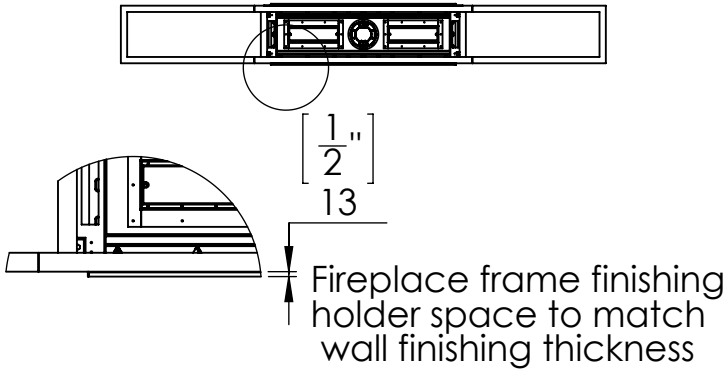
Step 1 - Basic Framing :

Step 1 - Basic Framing :

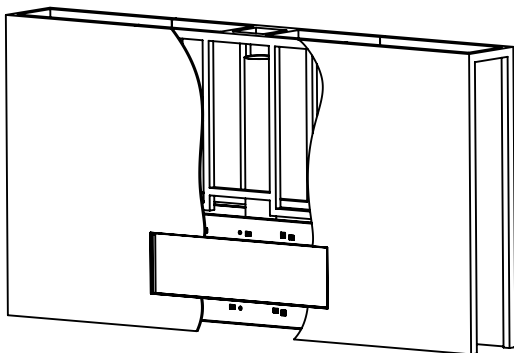


## Flat Installation

Step 2 -Positioning the Fireplace:

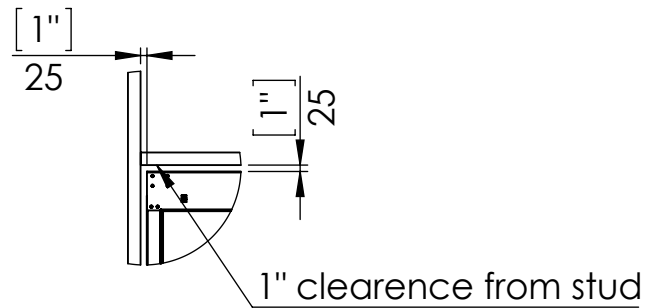
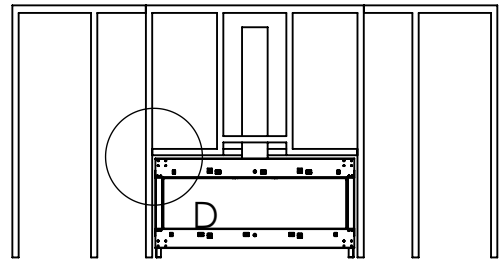
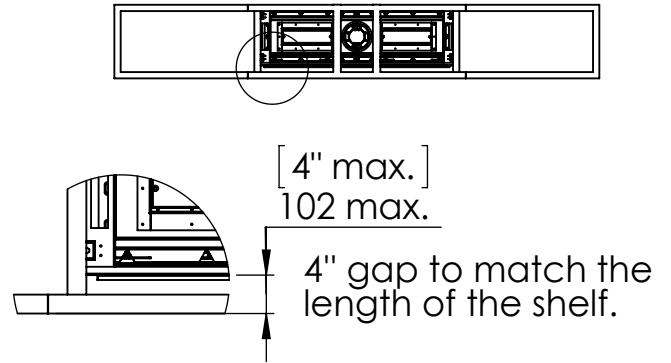


Last Step - Finishing The Fireplace Wall:

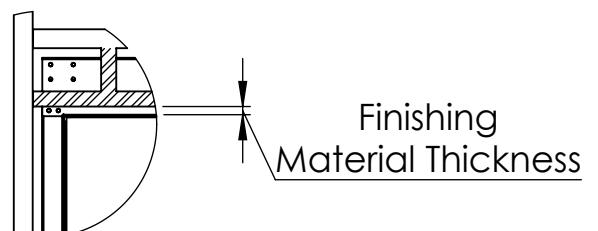
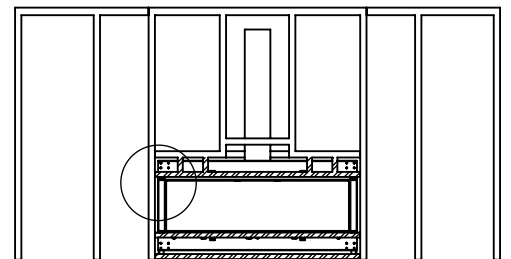


## L Shape Installation

Step 2 -Positioning the Fireplace:

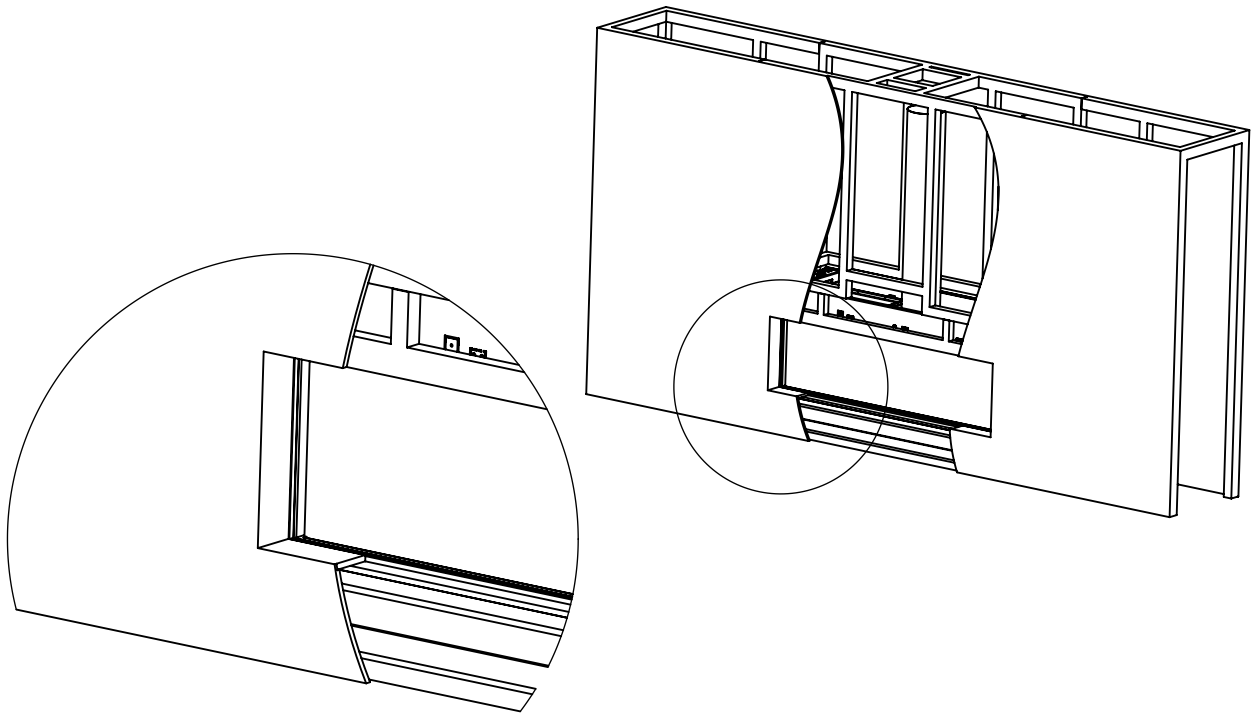


Step 3 - Framing Front Studs For L Shape:



## L Shape Finishing Install

Last Step - Finishing The Fireplace Wall:



## Specifications for Appliance Flare See Through 60H

Factor	NG	LPG
Burner Type	35,55,35	35,55,35
Orifice	500,800,500	160,260,160
BTU Max.	50000	41000
BTU min.	28000	20000
Kw/h	14.6k	12k
Chimney DIA.	5X8	5X8
Manifold Pressure[w.c]	2.9	6.2
Efficiency rate	77	80
Glass Size Length\Width	1450 X 620 mm	57" 1/16 X 24" 9/16'
Appliance Weigh	190Kg	418lb