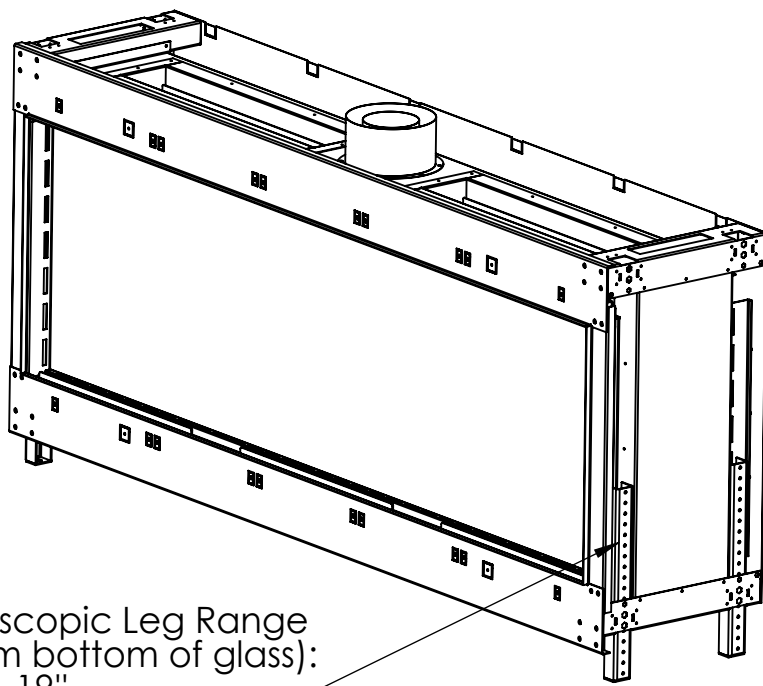
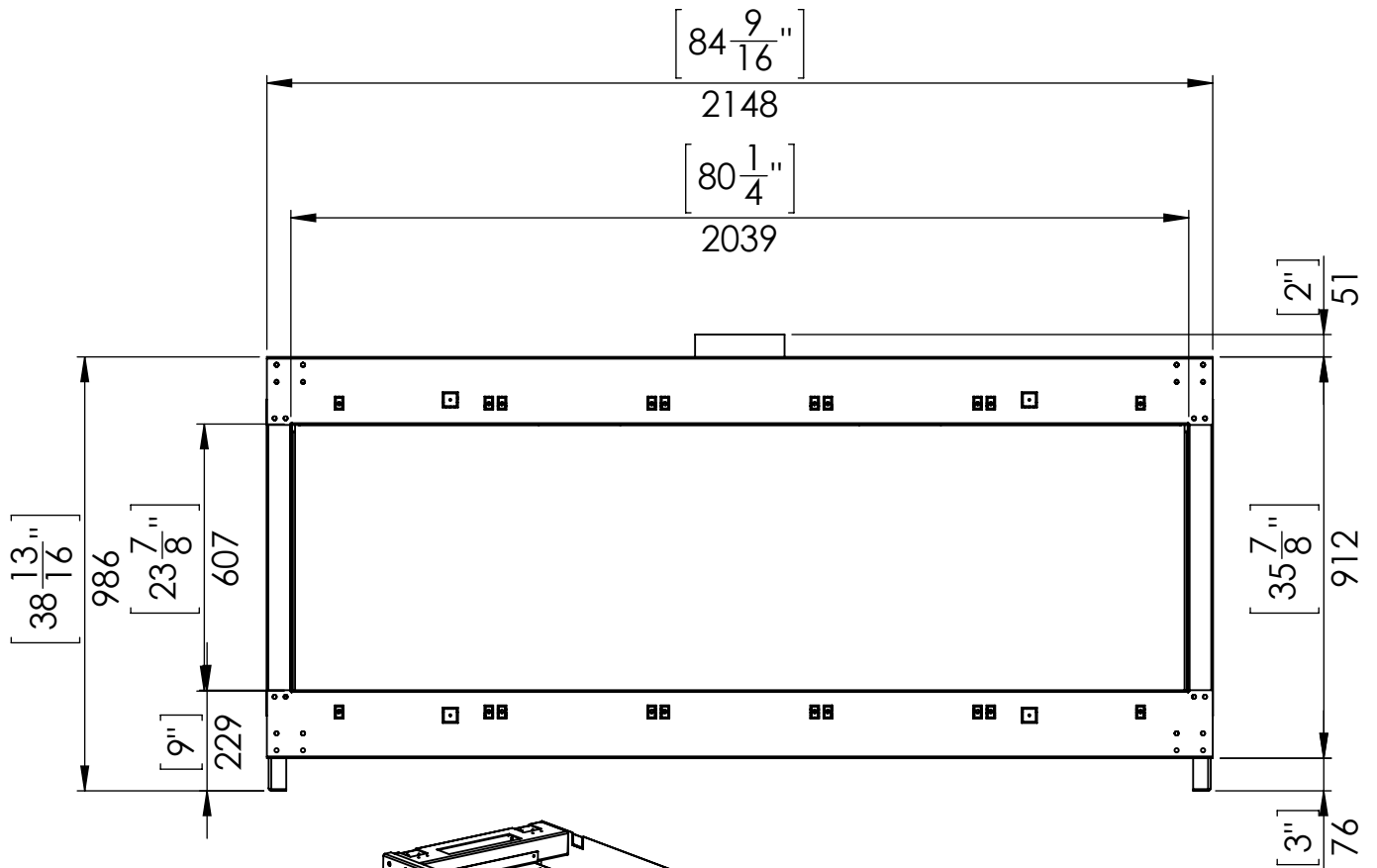
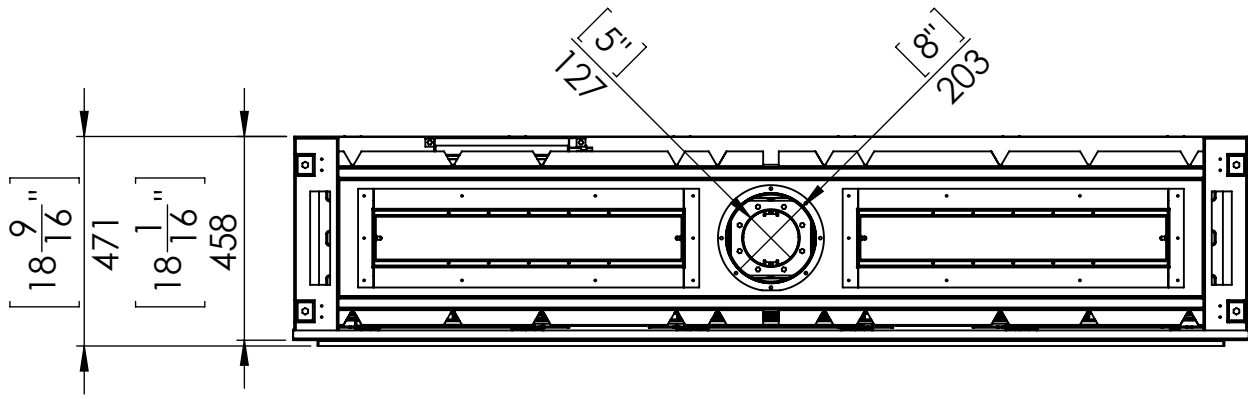
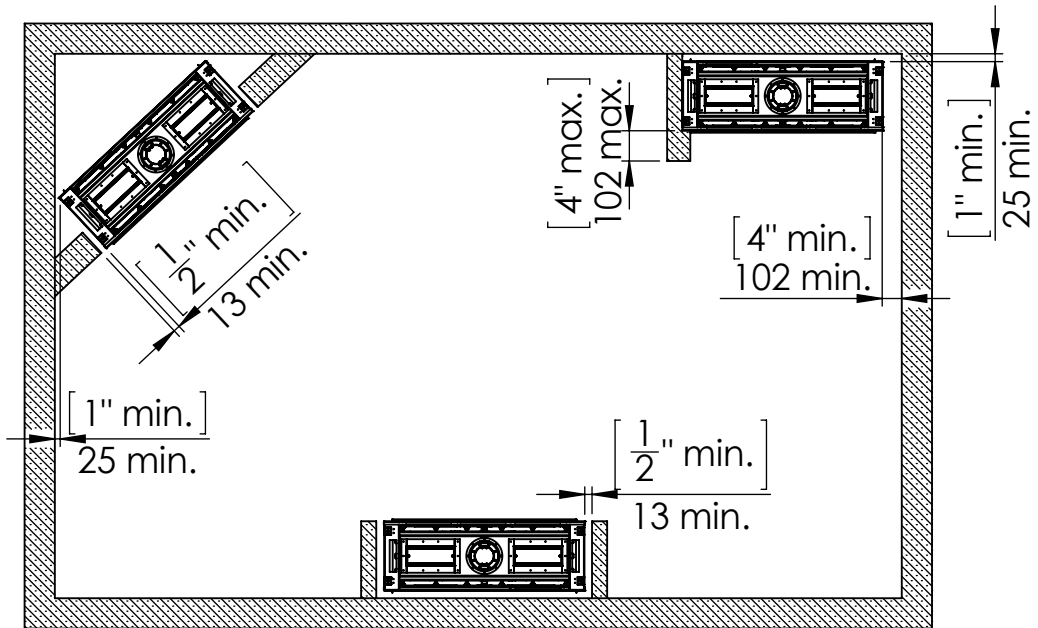




# FLARE Front 80H



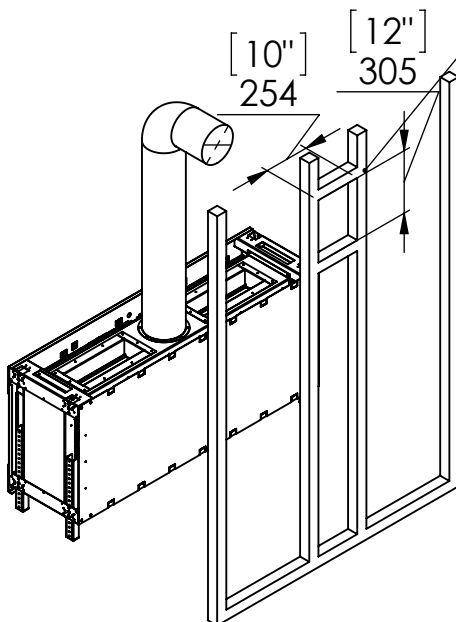
Telescopic Leg Range  
(from bottom of glass):  
9" - 19"



## Chimney Installation

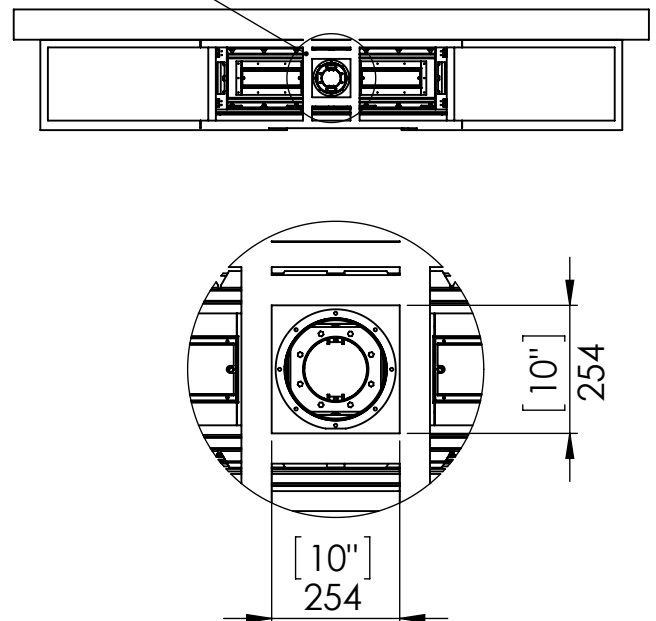
### Horizontal Termination

For 5 x 8 vent size create 10" x 12" vent termination opening

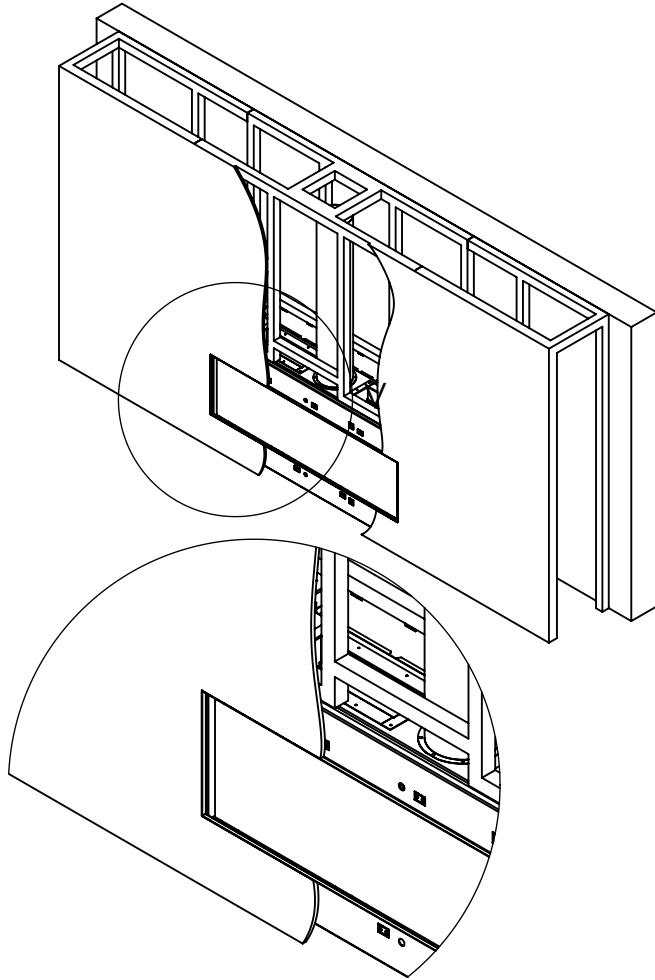


### Vertical Termination

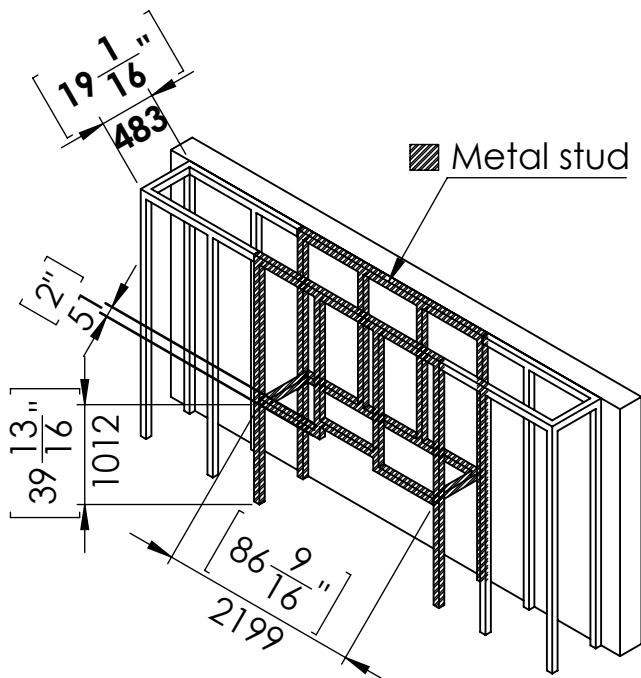
For 5 x 8 vent size create 10" x 10" vent termination opening



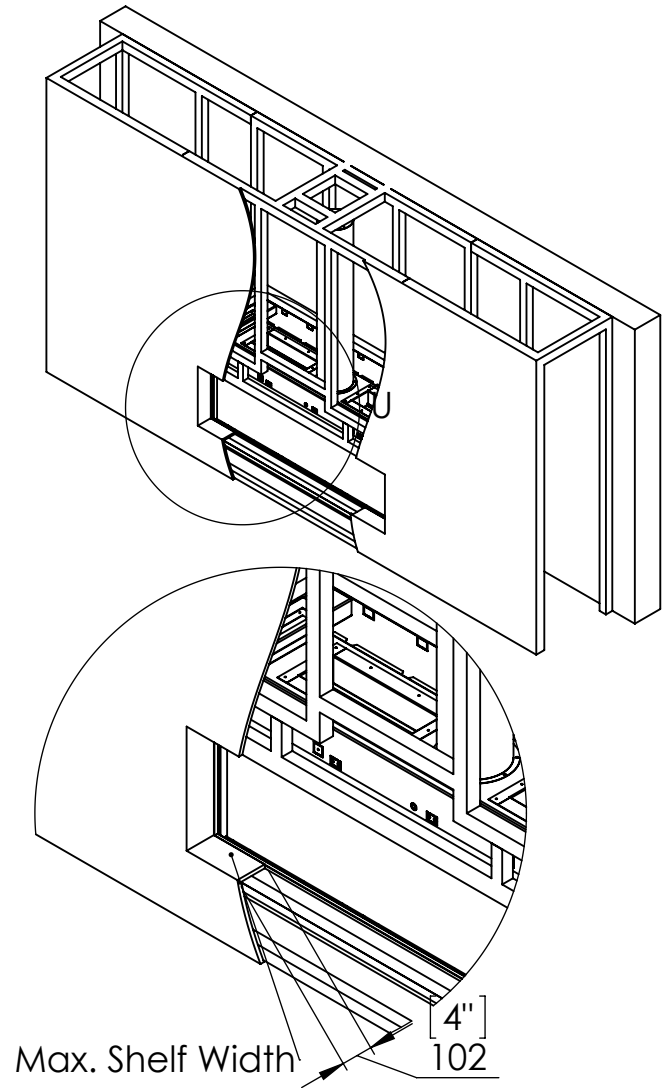
## Flat Installation



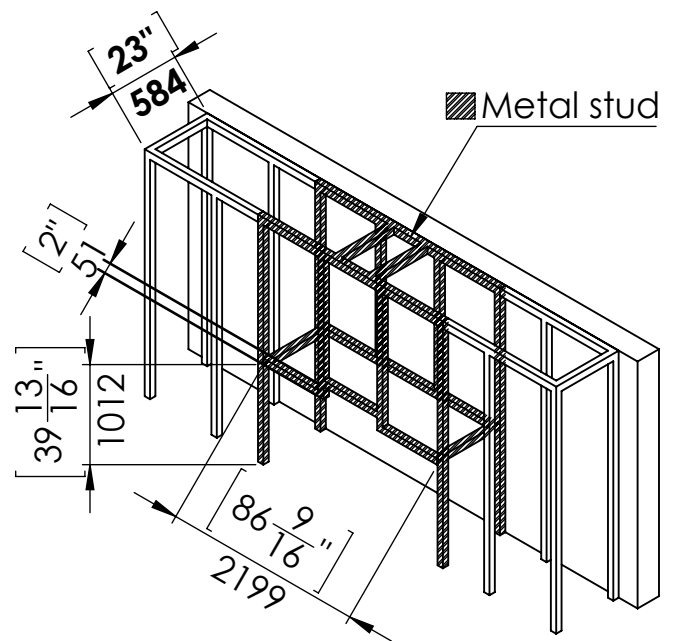
Step 1 - Basic Framing :



## L Shape Installation

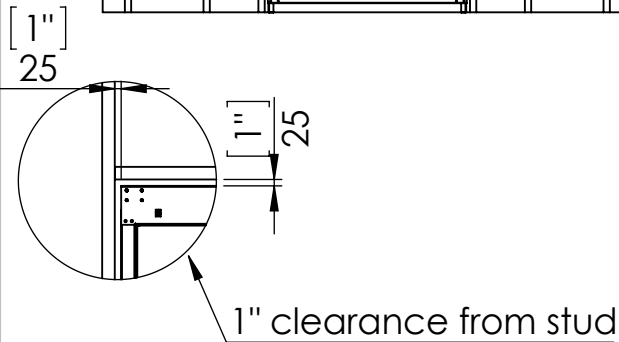
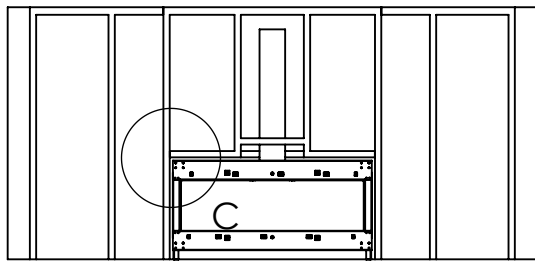
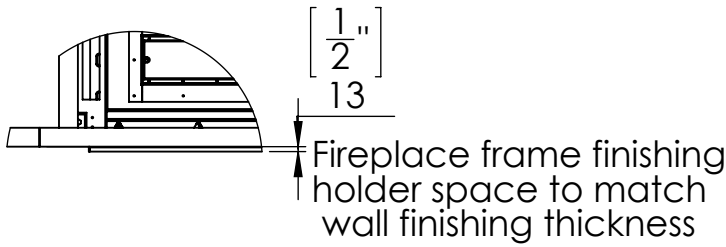
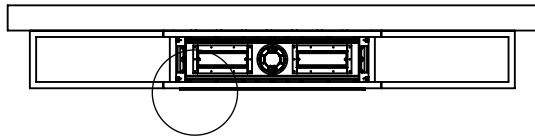


Step 1 - Basic Framing :

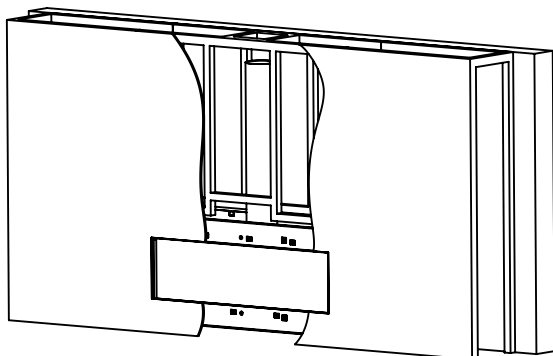


## Flat Installation

Step 2 -Positioning the Fireplace:

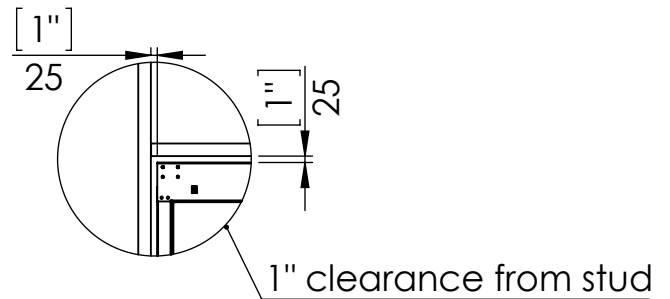
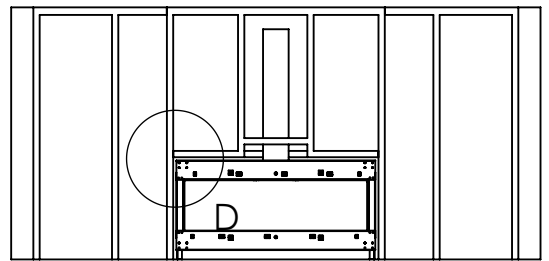
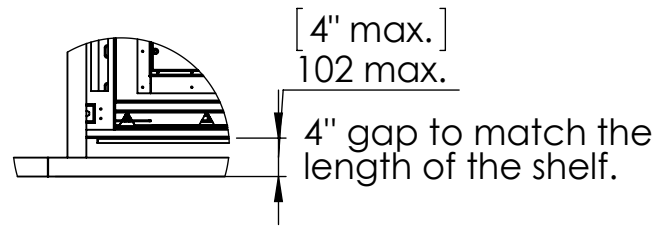
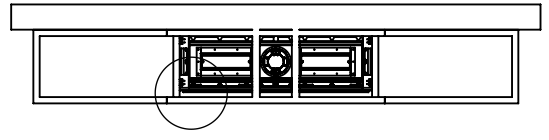


Last Step - Finishing The Fireplace Wall:

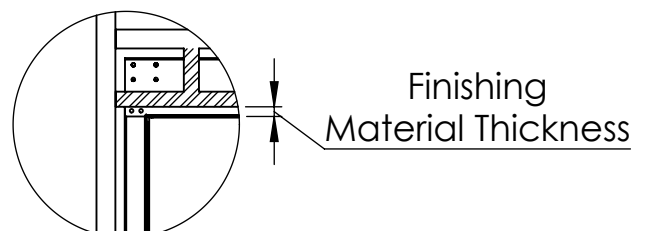
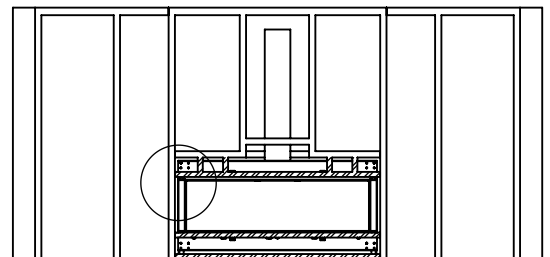


## L Shape Installation

Step 2 -Positioning the Fireplace:

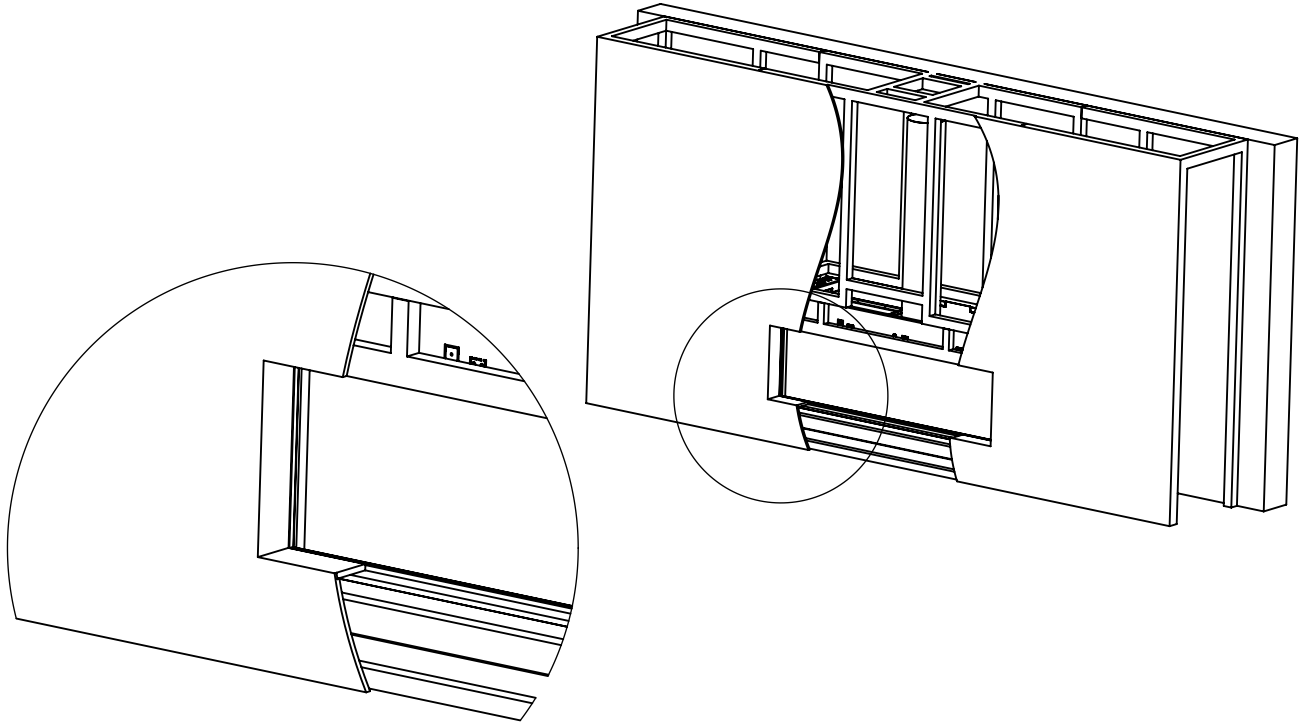


Step 3 - Framing Front Studs For L Shape:



## L Shape Finishing Install

Last Step - Finishing The Fireplace Wall:



## Specifications for Appliance Flare Front 80H

Factor	NG	LPG
Burner Type	35,105,35	35,105,35
Orifice	500,1200,500	180,380,180
BTU Max.	55700	46000
BTU min.	31000	20750
Kw/h	16.3k	13.5k
Chimney DIA.	5X8	5X8
Manifold Pressure[w.c]	2.6	6.3
Efficiency rate	82	80
Glass Size Length\Width	2020 X 620 mm	79" 8/16 X 24" 9/16'
Appliance Weigh	230Kg	507lb