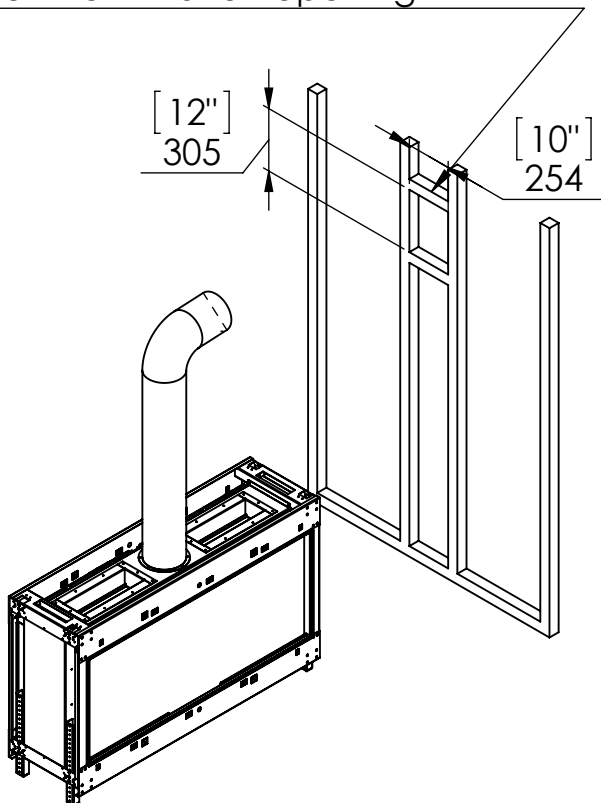


Chimney Installation

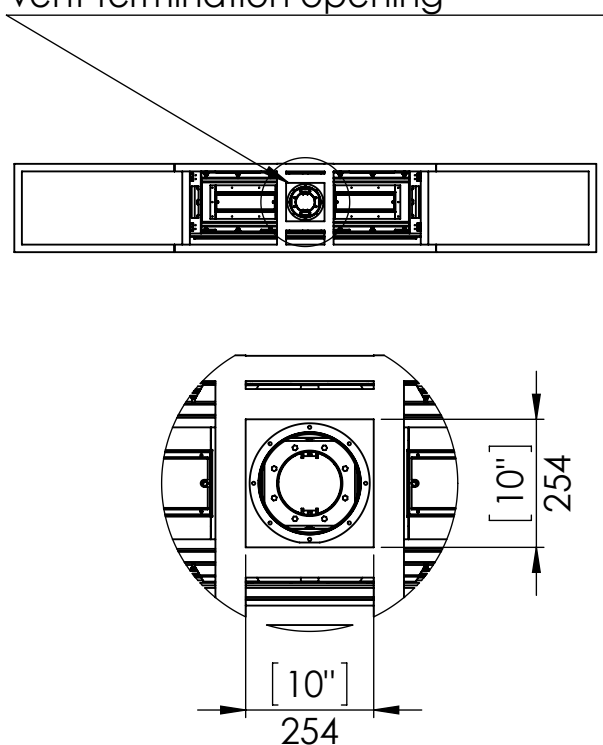
Horizontal Termination

For 5 x 8 vent size create 10" x 12" vent termination opening

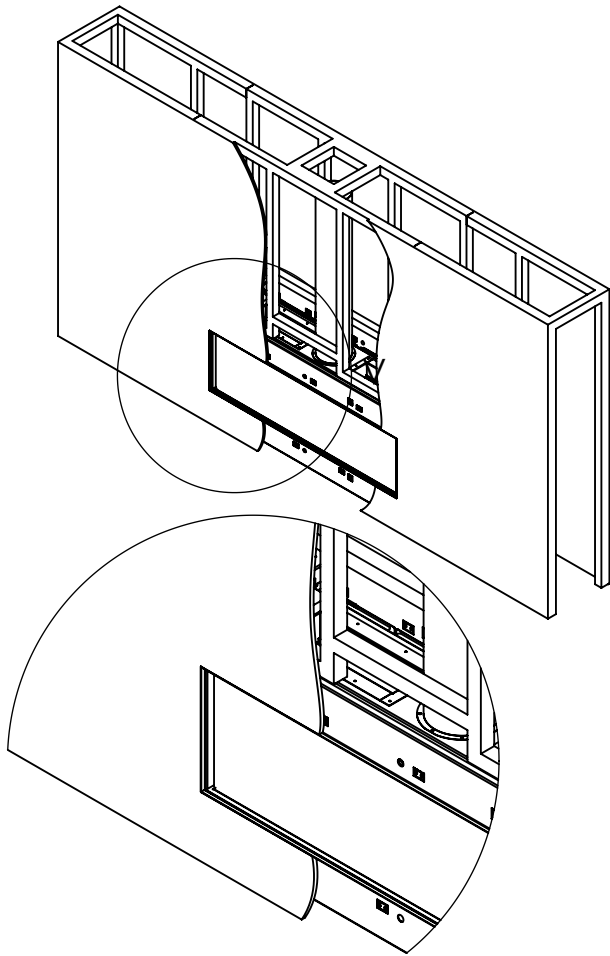


Vertical Termination

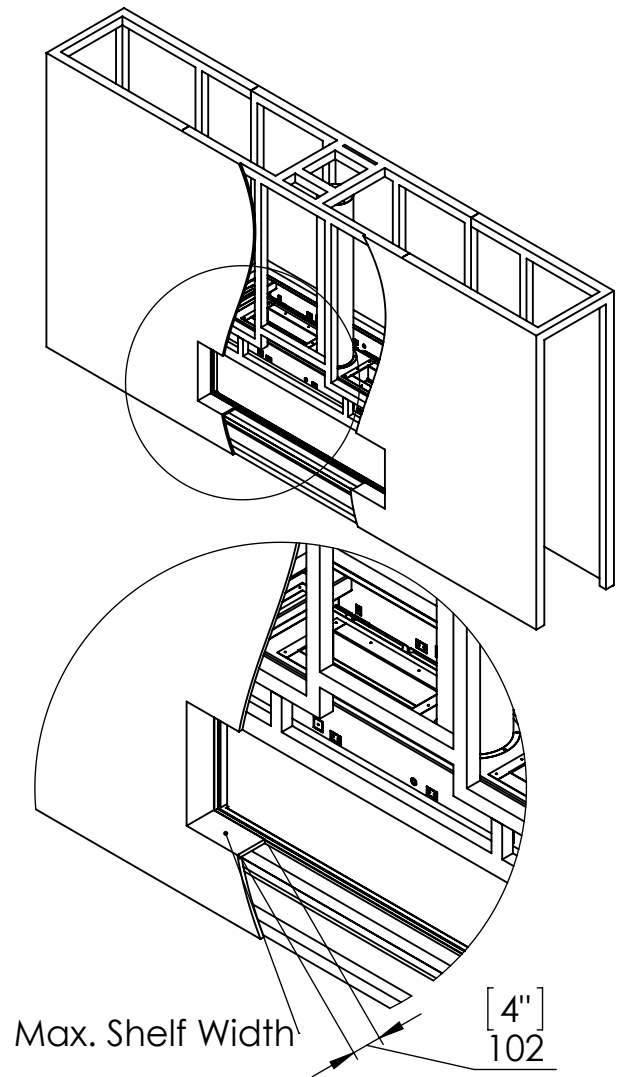
For 5 x 8 vent size create 10" x 10" vent termination opening



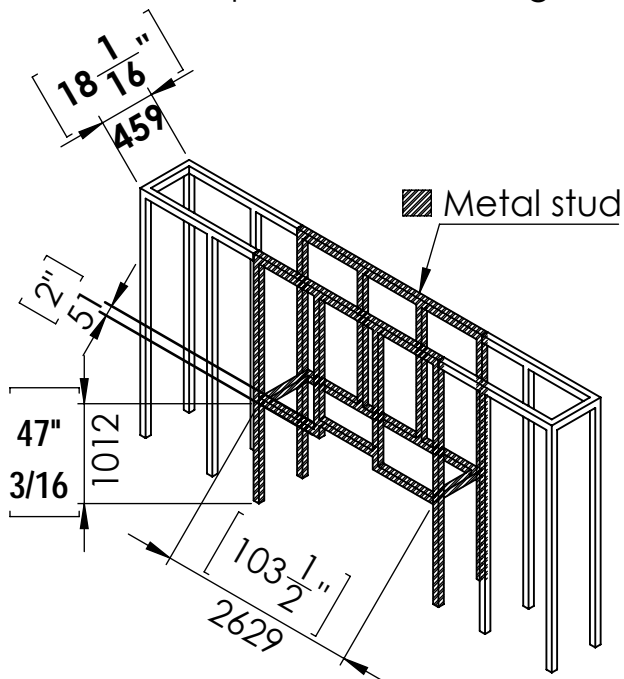
Flat Installation



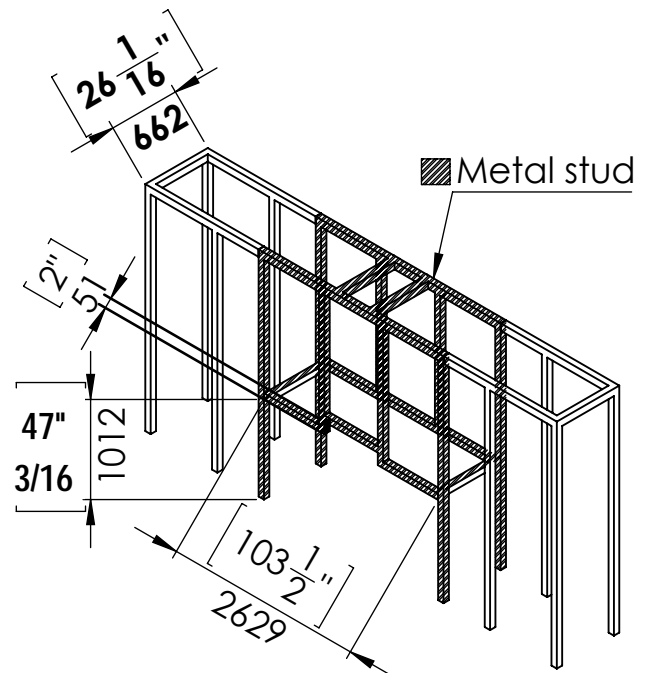
L Shape Installation



Step 1 - Basic Framing :

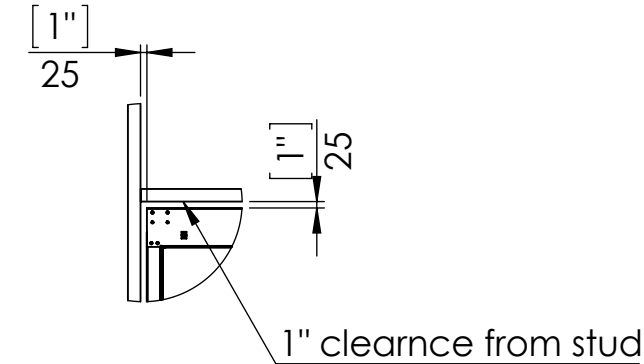
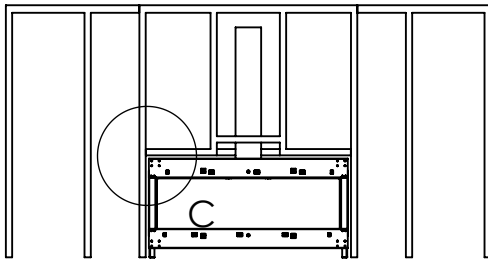
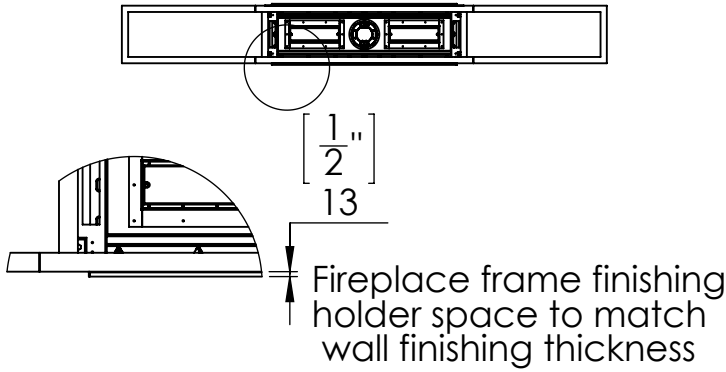


Step 1 - Basic Framing :

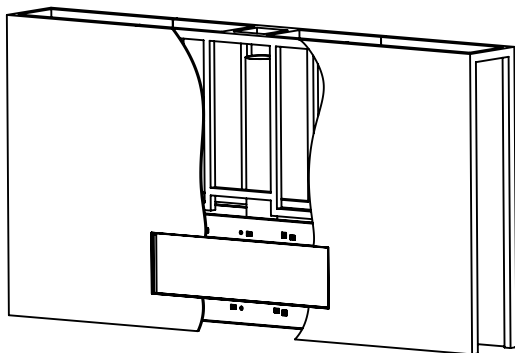


Flat Installation

Step 2 -Positioning the Fireplace:

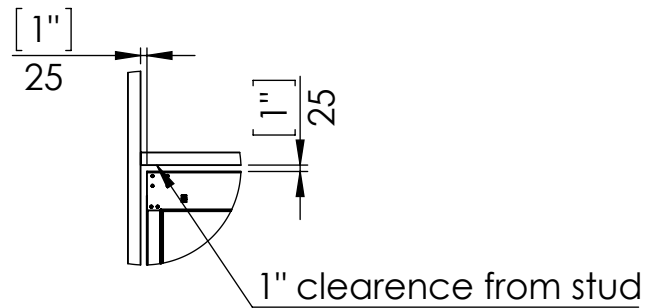
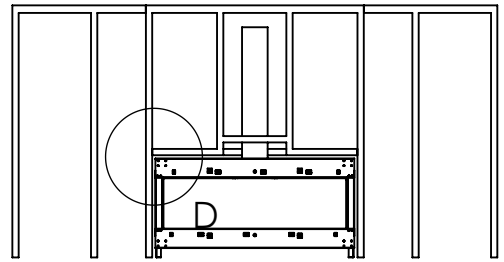
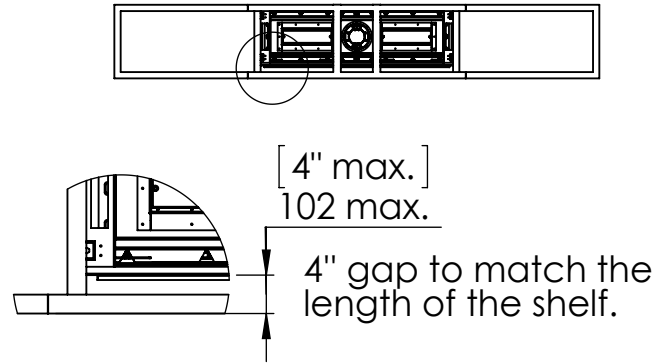


Last Step - Finishing The Fireplace Wall:

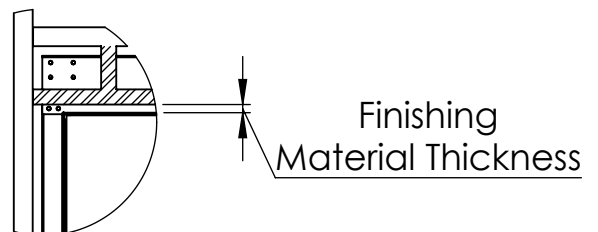
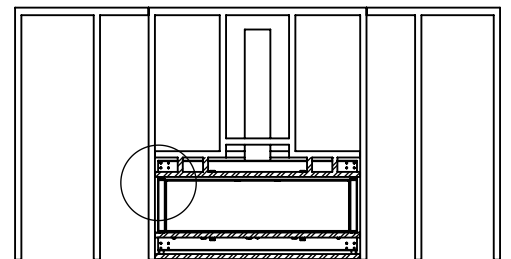


L Shape Installation

Step 2 -Positioning the Fireplace:

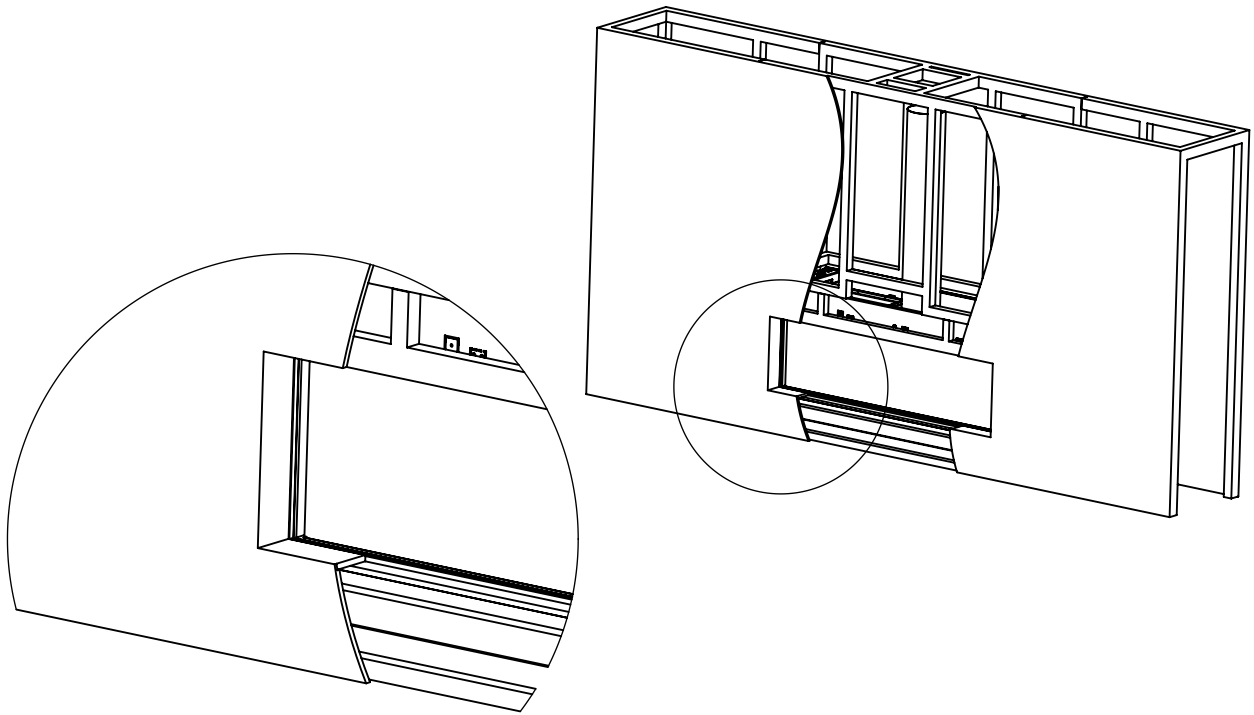


Step 3 - Framing Front Studs For L Shape:



L Shape Finishing Install

Last Step - Finishing The Fireplace Wall:



Specifications for Appliance

Flare See Through 100 EH

Factor	NG	LPG
Burner Type	55,105,55	55,105,55
Orifice	550,1200,550	180,380,180
BTU Max.	60000	60000
BTU min.	32500	25500
Kw/h	17.5k	17.5k
Chimney DIA.	5X8	5X8
Manifold Pressure[w.c]	4	7.4
Efficiency rate	82	78
Glass Size Length\Width	2450 X 767 mm	96" 7/16 X 30 3/16
Appliance Weigh	311 kg	685 lb