

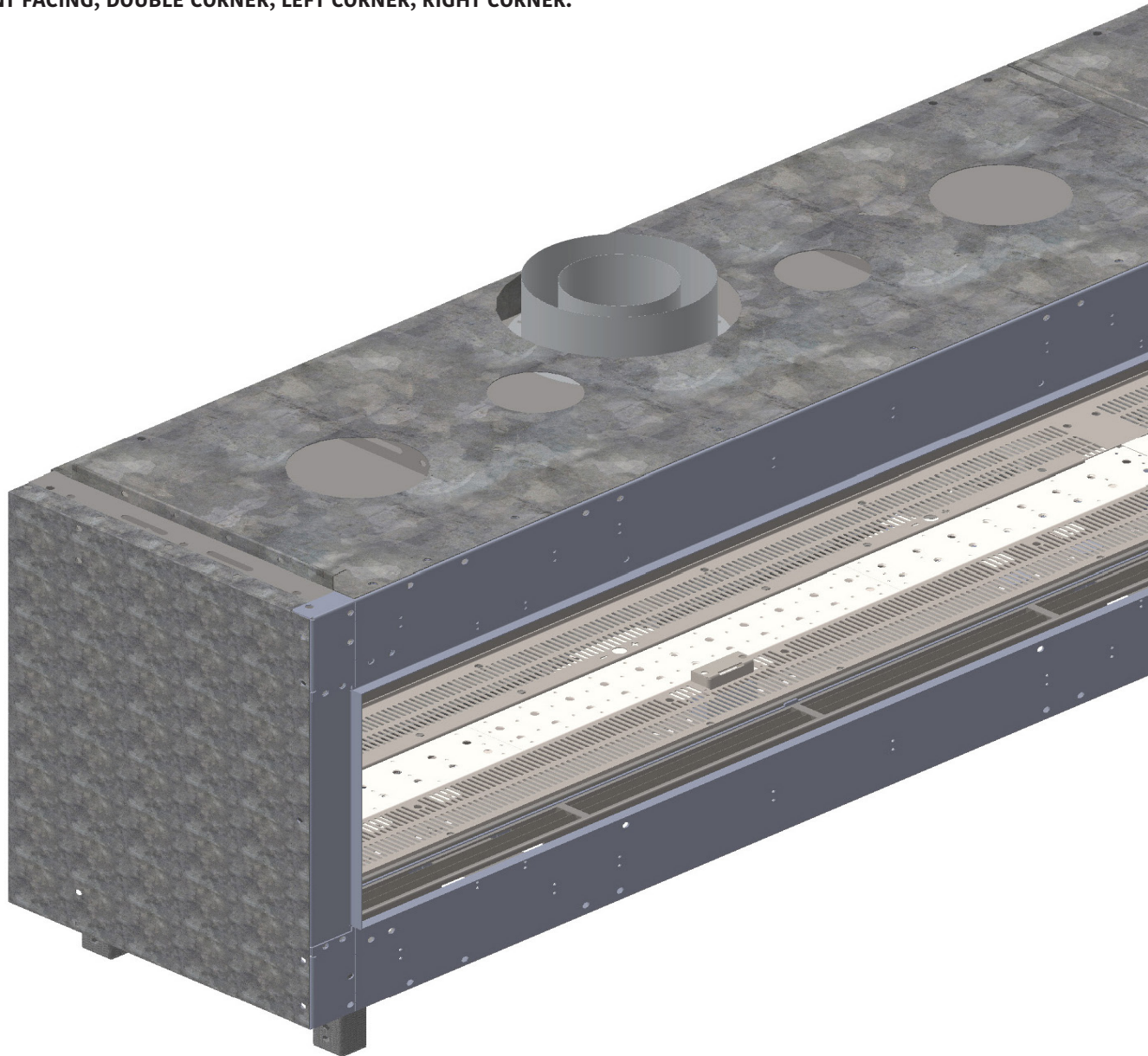


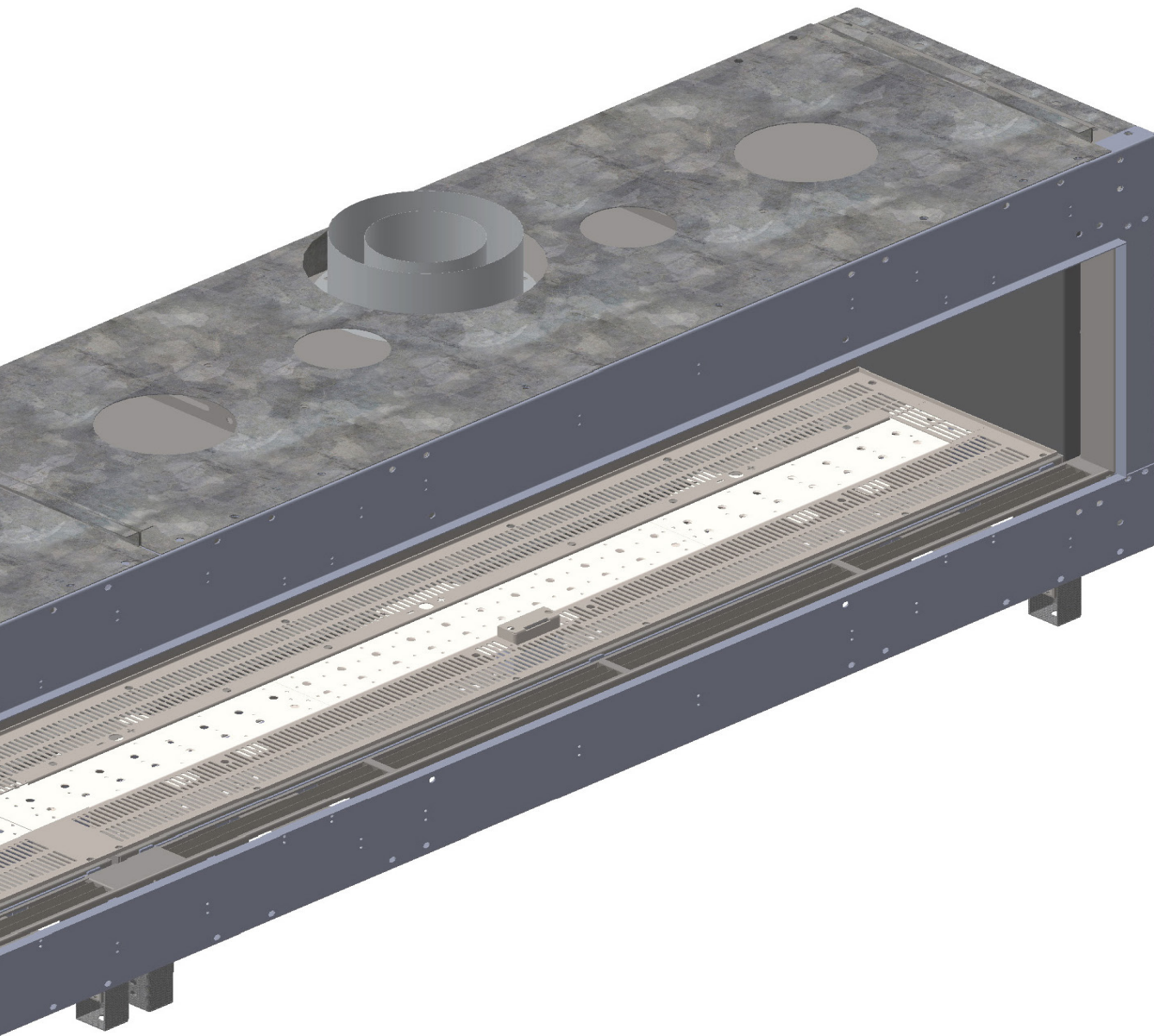
FLARE
FIREPLACES

GO
BIG

120 - 400" LENGTH

FRONT FACING, DOUBLE CORNER, LEFT CORNER, RIGHT CORNER.



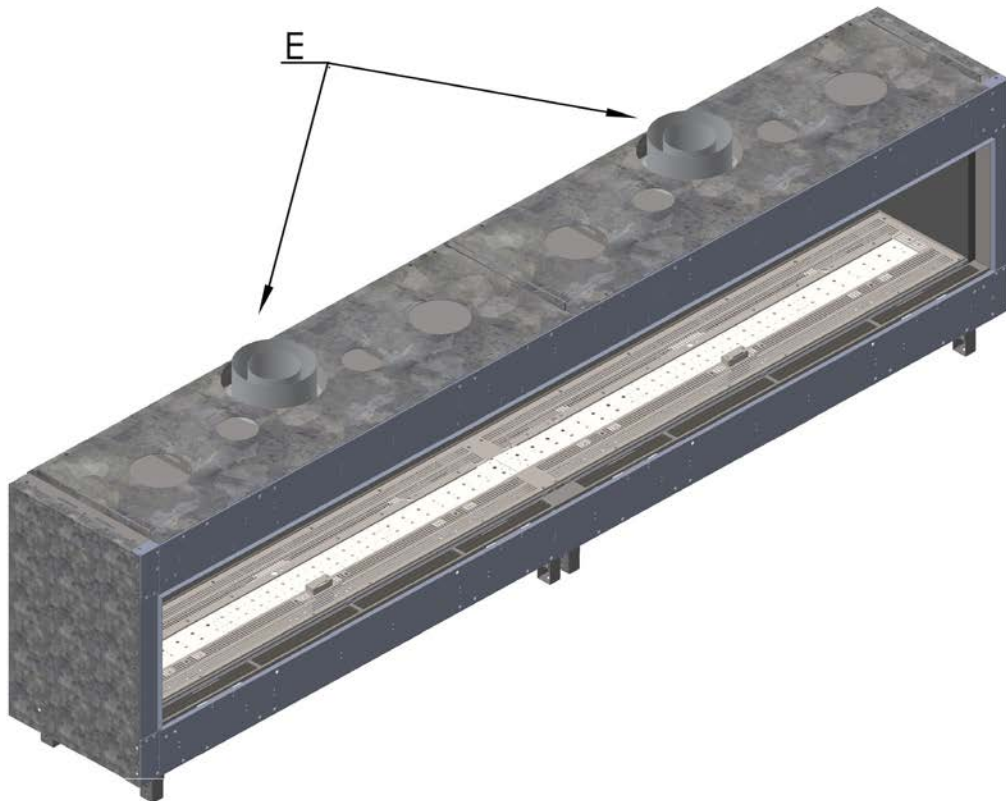
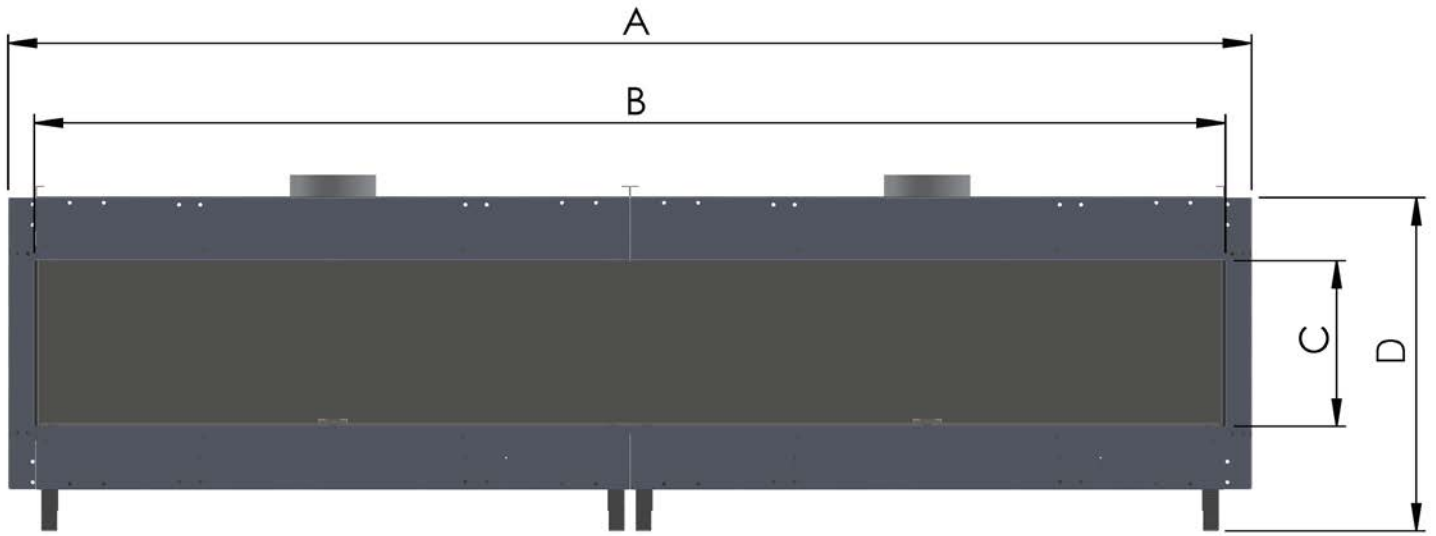


BIG FEATURES

- Honeywell Gas Valve System For Commercial Use.
- Multiple 3D Burners Offering One Continuous Burn.
- Up to 250,000. BTUs * Depending on Model
- Double Glass & Black Reflective Back Included.
- Optional Summer Kit Heat Dump.
- Available In 2 Glass Heights 16" & 24"

FRONT FACING LONG

120"- 400" | 16" & 24" HIGH GLASS

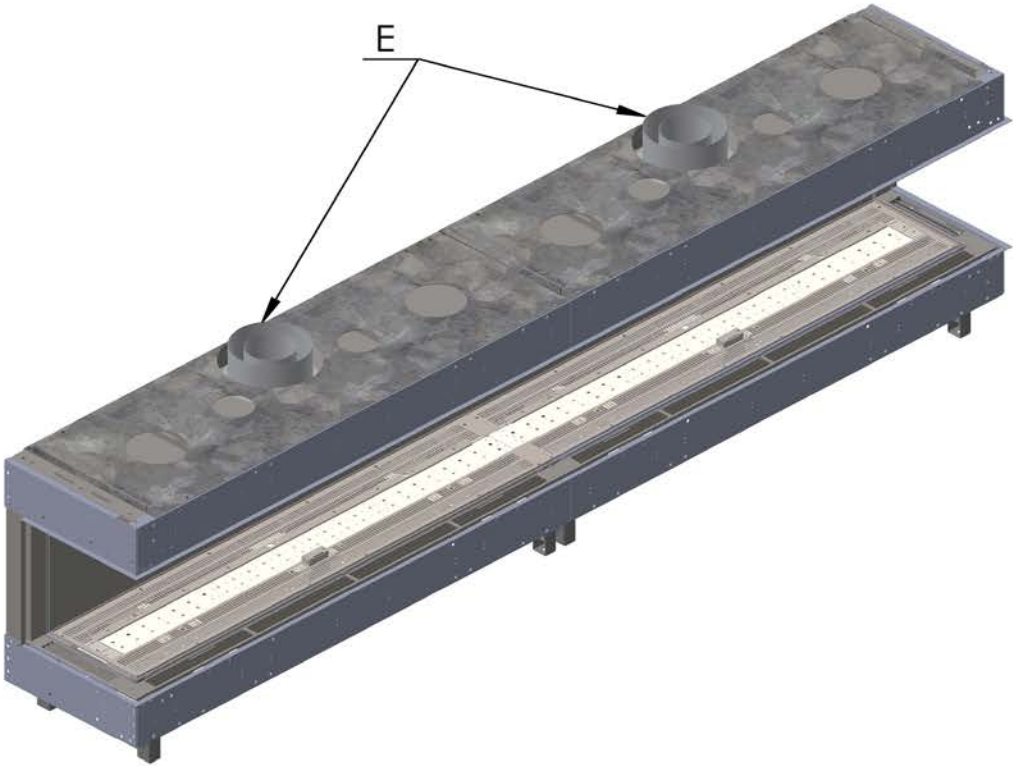
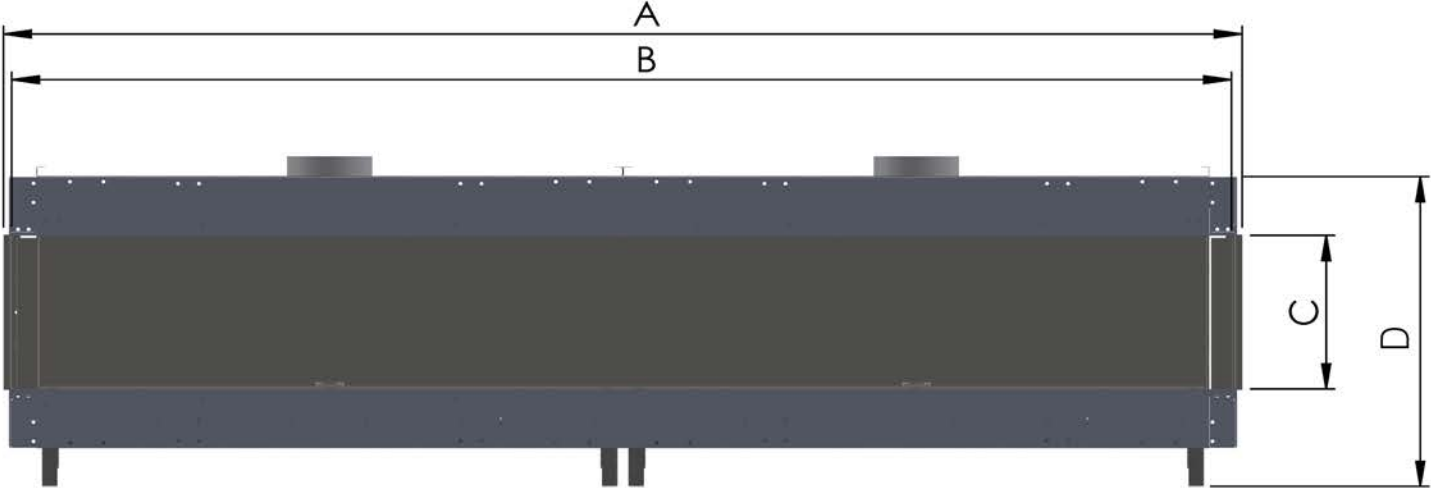


MODEL SIZE

MODEL	A	B	C	D	E
FLARE-FF-120	115 1/6"	110 3/16"	16"	31 15/16"	5" X 8"
FLARE-FF-140	134 12/16"	129 14/16"	16"	31 15/16"	5" X 8"
FLARE-FF-160	159 15/16"	155 2/16"	16"	31 15/16"	5" X 8"
FLARE-FF-180	170 1/16"	165 3/16"	16"	31 15/16"	5" X 8"
FLARE-FF-200	193 12/16"	188 15/16"	16"	31 15/16"	5" X 8"
FLARE-FF-210	199 9/16"	194 12/16"	16"	31 15/16"	5" X 8"
FLARE-FF-240	237 6/16"	232 9/16"	16"	31 15/16"	5" X 8"
FLARE-FF-280	264 7/16"	259 9/16"	16"	31 15/16"	5" X 8"
FLARE-FF-300	288 2/16"	283 5/16"	16"	31 15/16"	5" X 8"
FLARE-FF-320	314 13/16"	310"	16"	31 15/16"	5" X 8"
FLARE-FF-340	331 12/16"	326 15/16"	16"	31 15/16"	5" X 8"
FLARE-FF-380	365 9/16"	360 12/16"	16"	31 15/16"	5" X 8"
FLARE-FF-400	382 8/16"	377 11/16"	16"	31 15/16"	5" X 8"
FLARE-FF-120-H	115 1/6"	110 3/16"	24"	39 13/16"	5" X 8"
FLARE-FF-140-H	134 12/16"	129 14/16"	24"	39 13/16"	5" X 8"
FLARE-FF-160-H	159 15/16"	155 2/16"	24"	39 13/16"	5" X 8"
FLARE-FF-180-H	170 1/16"	165 3/16"	24"	39 13/16"	5" X 8"
FLARE-FF-200-H	193 12/16"	188 15/16"	24"	39 13/16"	5" X 8"
FLARE-FF-210-H	199 9/16"	194 12/16"	24"	39 13/16"	5" X 8"
FLARE-FF-240-H	237 6/16"	232 9/16"	24"	39 13/16"	5" X 8"
FLARE-FF-280-H	264 7/16"	259 9/16"	24"	39 13/16"	5" X 8"
FLARE-FF-300-H	288 2/16"	283 5/16"	24"	39 13/16"	5" X 8"
FLARE-FF-320-H	314 13/16"	310"	24"	39 13/16"	5" X 8"
FLARE-FF-340-H	331 12/16"	326 15/16"	24"	39 13/16"	5" X 8"
FLARE-FF-380-H	365 9/16"	360 12/16"	24"	39 13/16"	5" X 8"
FLARE-FF-400-H	382 8/16"	377 11/16"	24"	39 8/16"	5" X 8"

DOUBLE CORNER LONG

120"- 400" | 16" & 24" HIGH GLASS



MODEL SIZE

MODEL	A	B	C	D	E
FLARE-DC-120	116 2/6"	114 15/16"	16"	31 15/16"	5" X 8"
FLARE-DC-140	135 13/16"	134 10/16	16"	31 15/16"	5" X 8"
FLARE-DC-160	161"	159 13/16"	16"	31 15/16"	5" X 8"
FLARE-DC-180	171 2/16"	169 15/16"	16"	31 15/16"	5" X 8"
FLARE-DC-200	194 14/16"	193 11/16"	16"	31 15/16"	5" X 8"
FLARE-DC-210	200 11/16"	199 8/16"	16"	31 15/16"	5" X 8"
FLARE-DC-240	238 7/16"	237 5/16"	16"	31 15/16"	5" X 8"
FLARE-DC-280	265 8/16"	264 5/16"	16"	31 15/16"	5" X 8"
FLARE-DC-300	289 4/16"	288 1/16"	16"	31 15/16"	5" X 8"
FLARE-DC-320	315 14/16"	314 12/16"	16"	31 15/16"	5" X 8"
FLARE-DC-340	332 13/16"	331 10/16"	16"	31 15/16"	5" X 8"
FLARE-DC-380	366 11/16"	365 8/16"	16"	31 15/16"	5" X 8"
FLARE-DC-400	383 10/16"	382 7/16"	16"	31 15/16"	5" X 8"
FLARE-DC-120-H	116 2/6"	114 15/16"	24"	39 13/16"	5" X 8"
FLARE-DC-140-H	135 13/16"	134 10/16	24"	39 13/16"	5" X 8"
FLARE-DC-160-H	161"	159 13/16"	24"	39 13/16"	5" X 8"
FLARE-DC-180-H	171 2/16"	169 15/16"	24"	39 13/16"	5" X 8"
FLARE-DC-200-H	194 14/16"	193 11/16"	24"	39 13/16"	5" X 8"
FLARE-DC-210-H	200 11/16"	199 8/16"	24"	39 13/16"	5" X 8"
FLARE-DC-240-H	238 7/16"	237 5/16"	24"	39 13/16"	5" X 8"
FLARE-DC-280-H	265 8/16"	264 5/16"	24"	39 13/16"	5" X 8"
FLARE-DC-300-H	289 4/16"	288 1/16"	24"	39 13/16"	5" X 8"
FLARE-DC-320-H	315 14/16"	314 12/16"	24"	39 13/16"	5" X 8"
FLARE-DC-340-H	332 13/16"	331 10/16"	24"	39 13/16"	5" X 8"
FLARE-DC-380-H	366 11/16"	365 8/16"	24"	39 13/16"	5" X 8"
FLARE-DC-400-H	383 10/16"	382 7/16"	24"	39 13/16"	5" X 8"

GO

FRAM

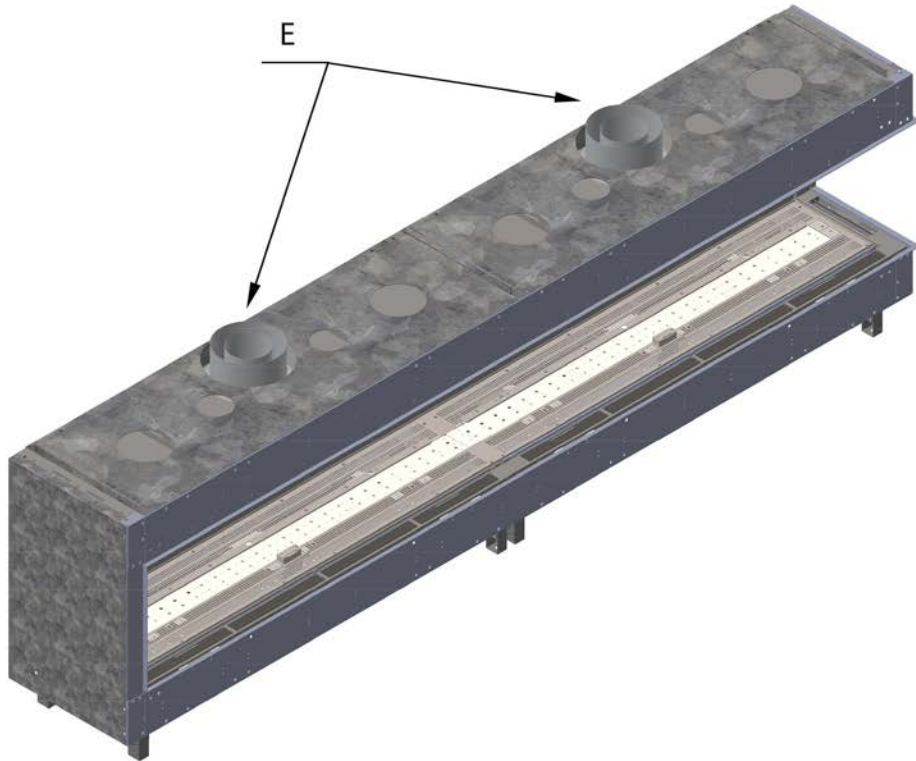
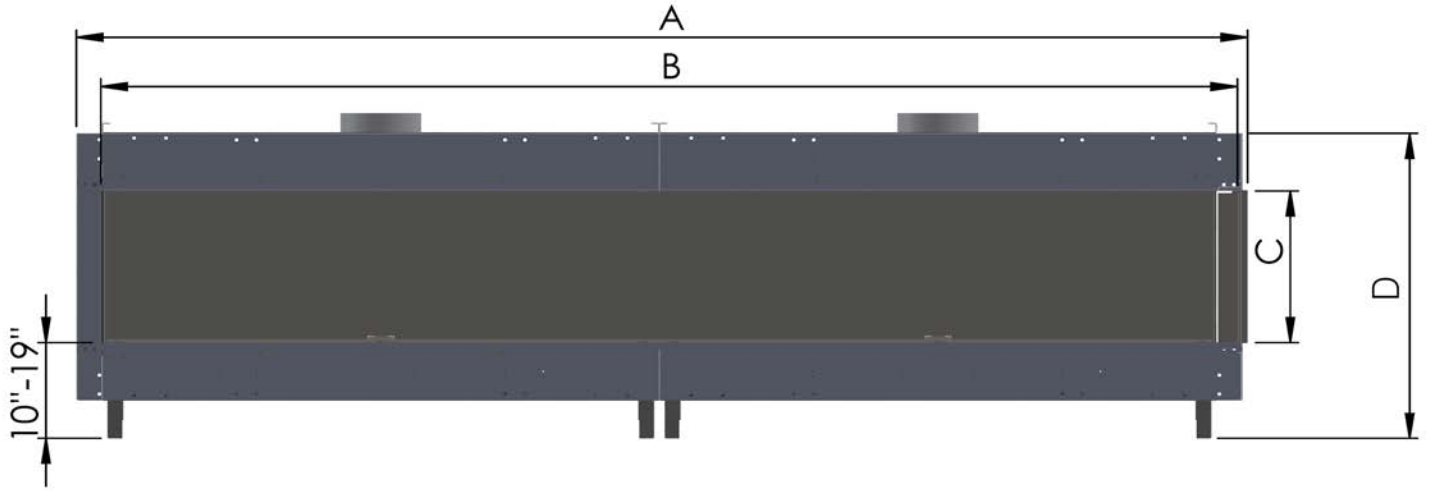


ELESS



RIGHT CORNER LONG

120"- 400" | 16" & 24" HIGH GLASS

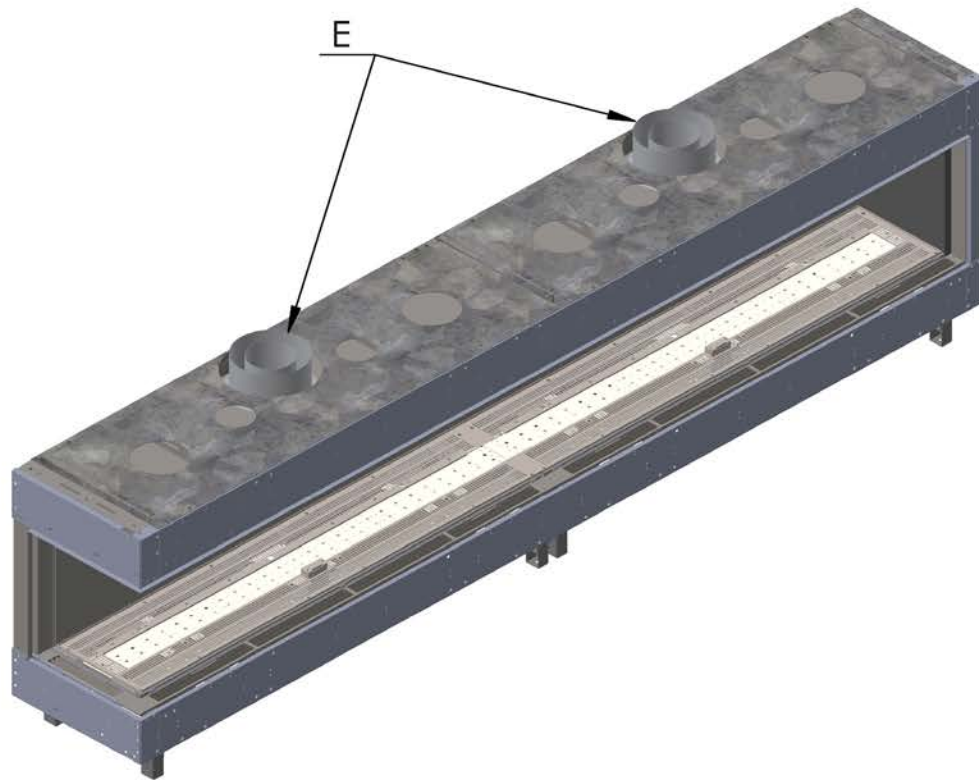
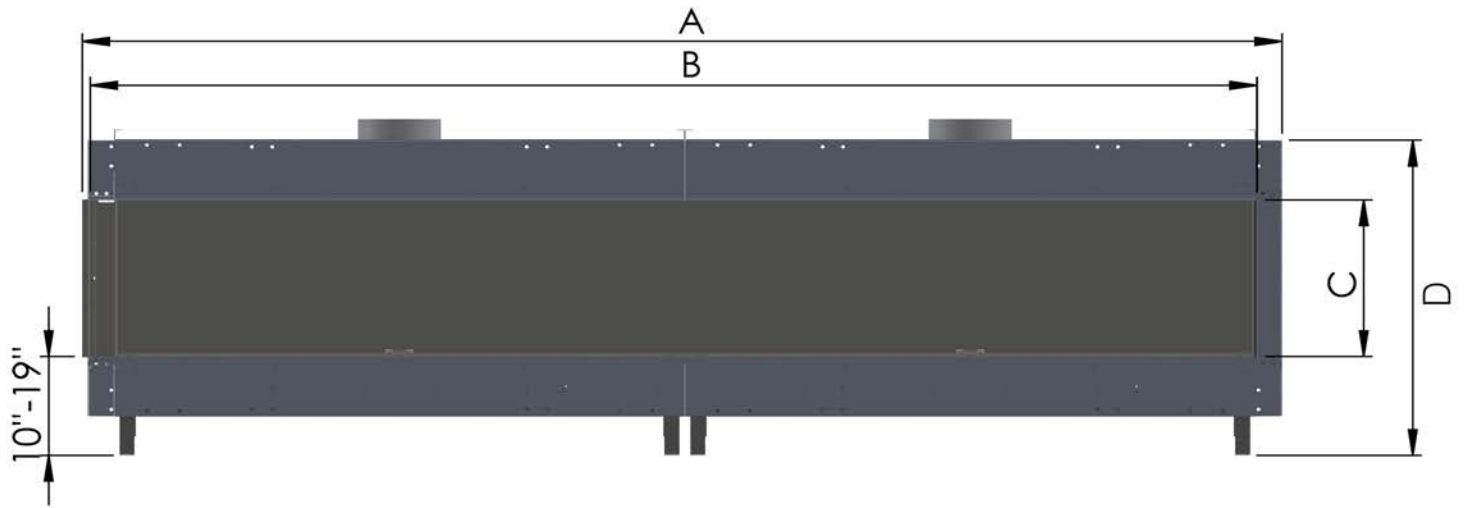


MODEL SIZE

MODEL	A	B	C	D	E
FLARE-RC-120	115 9/16"	112 9/16"	16"	31 15/16"	5" X 8"
FLARE-RC-140	135 4/16"	132 4/16"	16"	31 15/16"	5" X 8"
FLARE-RC-160	160 8/16"	157 8/16"	16"	31 15/16"	5" X 8"
FLARE-RC-180	170 9/16"	167 9/16"	16"	31 15/16"	5" X 8"
FLARE-RC-200	194 5/16"	191 5/16"	16"	31 15/16"	5" X 8"
FLARE-RC-210	200 2/16"	197 2/16"	16"	31 15/16"	5" X 8"
FLARE-RC-240	237 15/16"	234 15/16"	16"	31 15/16"	5" X 8"
FLARE-RC-280	264 15/16"	261 15/16"	16"	31 15/16"	5" X 8"
FLARE-RC-300	288 11/16"	285 11/16"	16"	31 15/16"	5" X 8"
FLARE-RC-320	315 6/16"	312 6/16"	16"	31 15/16"	5" X 8"
FLARE-RC-340	332 5/16"	329 5/16"	16"	31 15/16"	5" X 8"
FLARE-RC-380	366 2/16"	363 2/16"	16"	31 15/16"	5" X 8"
FLARE-RC-400	383 1/16"	380 1/16"	16"	31 15/16"	5" X 8"
FLARE-RC-120-H	115 9/16"	112 9/16"	24"	39 13/16"	5" X 8"
FLARE-RC-140-H	135 4/16"	132 4/16"	24"	39 13/16"	5" X 8"
FLARE-RC-160-H	160 8/16"	157 8/16"	24"	39 13/16"	5" X 8"
FLARE-RC-180-H	170 9/16"	167 9/16"	24"	39 13/16"	5" X 8"
FLARE-RC-200-H	194 5/16"	191 5/16"	24"	39 13/16"	5" X 8"
FLARE-RC-210-H	200 2/16"	197 2/16"	24"	39 13/16"	5" X 8"
FLARE-RC-240-H	237 15/16"	234 15/16"	24"	39 13/16"	5" X 8"
FLARE-RC-280-H	264 15/16"	261 15/16"	24"	39 13/16"	5" X 8"
FLARE-RC-300-H	288 11/16"	285 11/16"	24"	39 13/16"	5" X 8"
FLARE-RC-320-H	315 6/16"	312 6/16"	24"	39 13/16"	5" X 8"
FLARE-RC-340-H	332 5/16"	329 5/16"	24"	39 13/16"	5" X 8"
FLARE-RC-380-H	366 2/16"	363 2/16"	24"	39 13/16"	5" X 8"
FLARE-RC-400-H	383 1/16"	380 1/16"	24"	39 13/16"	5" X 8"

LEFT CORNER LONG

120"- 400" | 16" & 24" HIGH GLASS



MODEL SIZE

MODEL	A	B	C	D	E
FLARE-LC-120	115 9/16"	112 9/16"	16"	31 15/16"	5" X 8"
FLARE-LC-140	135 4/16"	132 4/16"	16"	31 15/16"	5" X 8"
FLARE-LC-160	160 8/16"	157 8/16"	16"	31 15/16"	5" X 8"
FLARE-LC-180	170 9/16"	167 9/16"	16"	31 15/16"	5" X 8"
FLARE-LC-200	194 5/16"	191 5/16"	16"	31 15/16"	5" X 8"
FLARE-LC-210	200 2/16"	197 2/16"	16"	31 15/16"	5" X 8"
FLARE-LC-240	237 15/16"	234 15/16"	16"	31 15/16"	5" X 8"
FLARE-LC-280	264 15/16"	261 15/16"	16"	31 15/16"	5" X 8"
FLARE-LC-300	288 11/16"	285 11/16"	16"	31 15/16"	5" X 8"
FLARE-LC-320	315 6/16"	312 6/16"	16"	31 15/16"	5" X 8"
FLARE-LC-340	332 5/16"	329 5/16"	16"	31 15/16"	5" X 8"
FLARE-LC-380	366 2/16"	363 2/16"	16"	31 15/16"	5" X 8"
FLARE-LC-400	383 1/16"	380 1/16"	16"	31 15/16"	5" X 8"
FLARE-LC-120-H	115 9/16"	112 9/16"	24"	39 13/16"	5" X 8"
FLARE-LC-140-H	135 4/16"	132 4/16"	24"	39 13/16"	5" X 8"
FLARE-LC-160-H	160 8/16"	157 8/16"	24"	39 13/16"	5" X 8"
FLARE-LC-180-H	170 9/16"	167 9/16"	24"	39 13/16"	5" X 8"
FLARE-LC-200-H	194 5/16"	191 5/16"	24"	39 13/16"	5" X 8"
FLARE-LC-210-H	200 2/16"	197 2/16"	24"	39 13/16"	5" X 8"
FLARE-LC-240-H	237 15/16"	234 15/16"	24"	39 13/16"	5" X 8"
FLARE-LC-280-H	264 15/16"	261 15/16"	24"	39 13/16"	5" X 8"
FLARE-LC-300-H	288 11/16"	285 11/16"	24"	39 13/16"	5" X 8"
FLARE-LC-320-H	315 6/16"	312 6/16"	24"	39 13/16"	5" X 8"
FLARE-LC-340-H	332 5/16"	329 5/16"	24"	39 13/16"	5" X 8"
FLARE-LC-380-H	366 2/16"	363 2/16"	24"	39 13/16"	5" X 8"
FLARE-LC-400-H	383 1/16"	380 1/16"	24"	39 13/16"	5" X 8"

DECORATIVE MEDIA



BRONZE FIREGLASS



CLEAR FIREGLASS



SILVER FIREGLASS



AQUA FIREGLASS



BLACK PEBBLES



WHITE PEBBLES



EARTH PEBBLES



THUNDER GREY STONES



LOGS



BIRCHWOOD



WHITE LOGS



DRIFTWOOD

KEY FEATURES

3 POWER VENT OPTIONS

Flare Fireplaces Power Vent System is an optional feature for all our fireplaces. With the Power Vent System you can install a fireplace almost anywhere, without the need for a vertical vent run off of the top of the firebox. The system is also designed for extremely long horizontal runs.

The PV system allows venting to run up to 100 feet from the fireplace to a roof or outside wall and is suitable for commercial use. It allows up to six 90-degree elbows and vent runs up to 5 feet below the fireplace. The Power vent allows for a 90 degree elbow right off the fireplace.

Flare offers three types of Power Vent solutions:

- 3x5 Inline Power vent system
- 3x5 End of Line – Horizontal Flush mount
- 3x5 End of line – Vertical mount

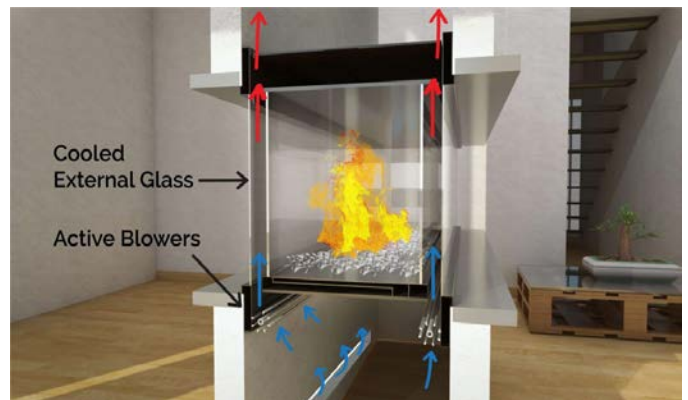


COOL TOUCH WALL

The Cool Touch Wall allows you to safely mount your television closer to the edge of the glass compared to traditional fireplaces. This design feature built-in to all Flare models demonstrates their efficiency and simple aesthetic. Our fireplaces warm your home efficiently while minimizing heat transfer to surrounding surfaces. Lower temperatures around the fireplace give you the freedom to design your space. Our linear, frameless design is elegant, contemporary, and can be finished with normal building materials. Positioning the fireplace is easier as well. The wall above your fireplace remains cool enough to mount a TV at a comfortable viewing height, without the need for bulky heat shields. Our fireplaces direct heat straight into the room and away from surrounding surfaces so your walls stay relatively cool while maintaining the same heat output. A more efficient fireplace means you'll spend less to heat your home.

DOUBLE GLASS SAFETY BARRIER

As part of an effort to make our fireplaces safer, Flare Fireplaces is offering our full line of products with Double Glass technology. In this design, air cools the external glass with the help of built-in blowers, significantly reducing it to a temperature that it is safe for a brief touch. The fireplace efficiency and heating characteristics are maintained with a sleek, external look, free of any protective screen. The Flare Double Glass fireplaces do not require power venting, keeping installation simple and cost low. Double Glass heat barrier feature does not change the size or framing requirement for the fireplace. Quiet and efficient, the Flare modern and frameless double glass solution is perfect for commercial application that require the safety feature.



SUMMER KIT HEAT DISTRIBUTION

Our Summer Kit reduces overall heat output so you can enjoy your Flare fireplace all year long. Show off your stunning linear fireplace even in the summer! The optional Summer Kit (SK) extracts heat from the chase, directing it outside rather than into your home. The inline system of fans allows the fireplace to operate without a significant increase in room temperature and operating the kit is as simple as flipping a switch. Set it up to come on automatically, be controlled independently of your fireplace, or connect the kit to your home automation system and adjust heat output with the changing seasons. The kit is perfect for commercial use in restaurant or hotels, but also for residential homes in warmer states. Marvel at the flames without sweating it out.



**FLARE
FIREPLACES**

**GO
FLARE**