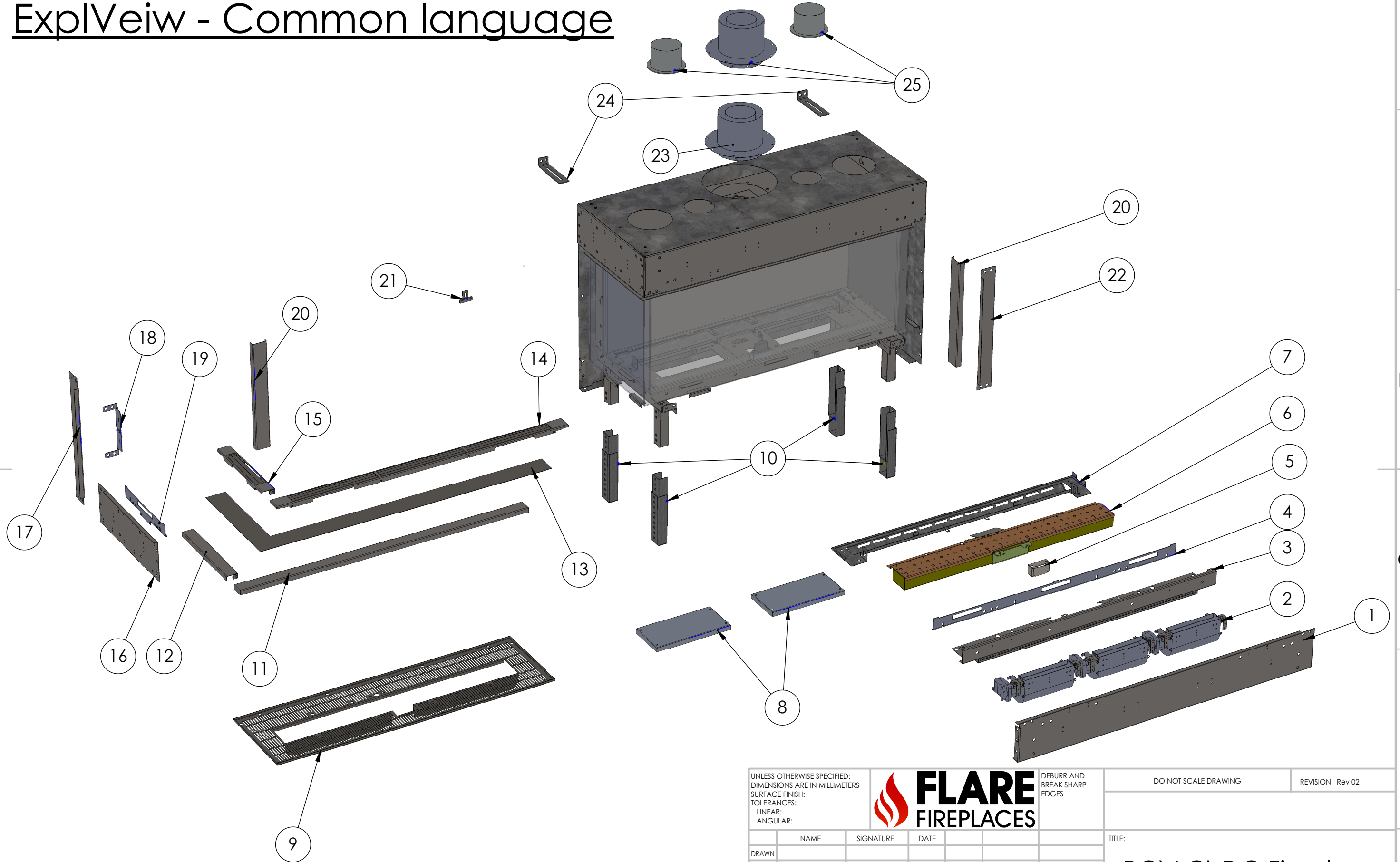



ExplView - Common language



UNLESS OTHERWISE SPECIFIED: DIMENSIONS ARE IN MILLIMETERS SURFACE FINISH: TOLERANCES: LINEAR: ANGULAR:						DO NOT SCALE DRAWING		REVISION Rev 02	
DRAWN		CHK'D				APPV'D		MFG	
TITLE: RC\LC\DC Fireplace				MATERIAL: Material <not specified>		DWG NO.		A3	
WEIGHT:				THICKNESS:		SCALE:1:10		Revision: Rev 02 SHEET 2 OF 2	

FLARE FIREPLACE FIREPLACE COMPONENTS LIST					
RIGHT/LEFT/DOUBLE CORNER					
#	PART NUMBER	DESCRIPTION	ITEM NO.	PART NUMBER	DESCRIPTION
1	C-05-11	Frame for C	14	C-10-11	Filler for fireplace
2	Fan Double Glass	Fan use for Double Glass (Optional)	15	C-16-11-screen	Side Filler for C
3	C-11-11	Service with LED (Optional)	16	C-04-11	Side Frame - C
	C-11-11-W	Service without LED	17	C-10-11/C-10H-11	Vertical side frame
4	RD-01-11	Horizontal rails for C	18	G-29	Vertical Rail
5	G-01-14	Pilot Cover	19	C-14-11	Side Rail- C
7	C-07-11	LED holder with LED (Optional)	20	C-11-11/C-11H-11	Vertical side filler
	C-07-11-W	LED holder without LED		C-11-11-N/C-11H-11-N	Vertical Filler R/H
8	C- Explosion valve up	Explosion valve down for C	21	G-22	Reflective Back
	C- Explosion valve down	Explosion valve up for C	22	C-30-11/C-30H-11	Vertical front frame
9	C-06	Screen	23	4x6 Vent Adapter	Vent Adapter for 25"
10	G-08+09-11	Legs for C types Fireplaces		5x8 Vent Adapter	Vent Adapter for 50"
11	C-10-11-S	Filler for Fireplace with Screen		3x5 Vent Adapter	Use for Power Vent
12	C-16-11-screen	Side Filler for C Fireplace with Screen	24	G-02	Earthquake Holder
13	C-Filler 73	Filler instead screen. To cover gap between CG and frame only when screen is removed. (Optional)			

Fireplace Length		Burner Size (IN)	
6	Burner	25"	13 ¹² / ₁₆
		30"	21 ⁵ / ₈
		45"	31 ⁸ / ₁₆
		50"	41 ⁵ / ₁₆
		60"	13 ¹² / ₁₆ , 21 ¹⁰ / ₁₆ , 13 ¹² / ₁₆
		70"	13 ¹² / ₁₆ , 31 ⁸ / ₁₆ , 13 ¹² / ₁₆
		80"	13 ¹² / ₁₆ , 41 ⁵ / ₁₆ , 13 ¹² / ₁₆
		100"	21 ¹⁰ / ₁₆ , 41 ⁵ / ₁₆ , 21 ¹⁰ / ₁₆

FLARE FIREPLACES GLASS SIZING CHART (DC)						
FLARE DOUBLE CORNER (16" REGULAR GLASS)						
FIREPLACE	TEMPERED GLASS (IN)		CERAMIC GLASS (IN)		REFLECTIVE BACK (IN)	
DC-100	99 3/16	16 5/8	94 9/16	16 5/8	93 11/16	14
DC-80	82 5/16	16 5/8	77 5/8	16 5/8	76 15/16	14
DC-70	69 11/16	16 5/8	65 1/16	16 5/8	64	14
DC-60	59 13/16	16 5/8	55 3/16	16 5/8	54 5/16	14
DC-50	50	16 5/8	45 3/8	16 5/8	44 1/2	14
DC-45	43 5/16	16 5/8	38 11/16	16 5/8	37 5/8	14
Side Panel DC	14 7/16	16 5/8	12 5/8	16 5/8	11 7/16	14
FLARE DOUBLE CORNER (24" HIGH GLASS)						
FIREPLACE	TEMPERED GLASS (IN)		CERAMIC GLASS (IN)		REFLECTIVE BACK (IN)	
DC-100-H	99 3/16	24 1/2	94 9/16	24 1/2	93 11/16	21 5/8
DC-80-H	82 5/16	24 1/2	77 5/8	24 1/2	76 15/16	21 5/8
DC-70-H	69 11/16	24 1/2	65 1/16	24 1/2	64	21 5/8
DC-60-H	59 13/16	24 1/2	55 3/16	24 1/2	54 5/16	21 5/8
DC-50-H	50	24 1/2	45 3/8	24 1/2	44 1/2	21 5/8
DC-45-H	43 5/16	24 1/2	38 11/16	24 1/2	37 5/8	21 5/8
DC-30-H	30 5/16	24 1/2	25 11/16	24 1/2	24 5/8	21 5/8
Side Panel DC-H	14 7/16	24 1/2	12 5/8	24 1/2	11 7/16	21 5/8

FLARE FIREPLACES GLASS SIZING CHART (LC & RC)						
FLARE LEFT / RIGHT CORNER (16" REGULAR GLASS)						
FIREPLACE	TEMPERED GLASS (IN)		CERAMIC GLASS (IN)		REFLECTIVE BACK (IN)	
RC/LC-100	96 5/8	16 5/8	94 11/16	16 5/8	93 11/16	14
RC/LC-80	79 3/4	16 5/8	77 3/4	16 5/8	76 15/16	14
RC/LC-70	67 3/16	16 5/8	65 3/16	16 5/8	64	14
RC/LC-60	57 5/16	16 5/8	55 5/16	16 5/8	54 5/16	14
RC/LC-50	47 1/2	16 5/8	45 1/2	16 5/8	44 1/2	14
RC/LC-45	40 13/16	16 5/8	38 3/4	16 5/8	37 5/8	14
Side Panel LC/RC	14 7/16	16 5/8	12 5/8	16 5/8	11 7/16	14
FLARE LEFT / RIGHT CORNER						
FIREPLACE	TEMPERED GLASS (IN)		CERAMIC GLASS (IN)		REFLECTIVE BACK (IN)	
RC/LC-100-H	96 5/8	24 1/2	94 11/16	24 1/2	93 11/16	21 5/8
RC/LC-80-H	79 3/4	24 1/2	77 12/16	24 1/2	76 15/16	21 5/8
RC/LC-70-H	67 3/16	24 1/2	65 3/16	24 1/2	64	21 5/8
RC/LC-60-H	57 5/16	24 1/2	55 5/16	24 1/2	54 5/16	21 5/8
RC/LC-50-H	47 1/2	24 1/2	45 1/2	24 1/2	44 1/2	21 5/8
RC/LC-45-H	40 13/16	24 1/2	38 3/4	24 1/2	37 5/8	21 5/8
RC/LC-30-H	27 13/16	24 1/2	25 11/16	24 1/2	24 5/8	21 5/8
Side Panel LC/RC-H	14 7/16	24 1/2	12 5/8	24 1/2	11 7/16	21 5/8