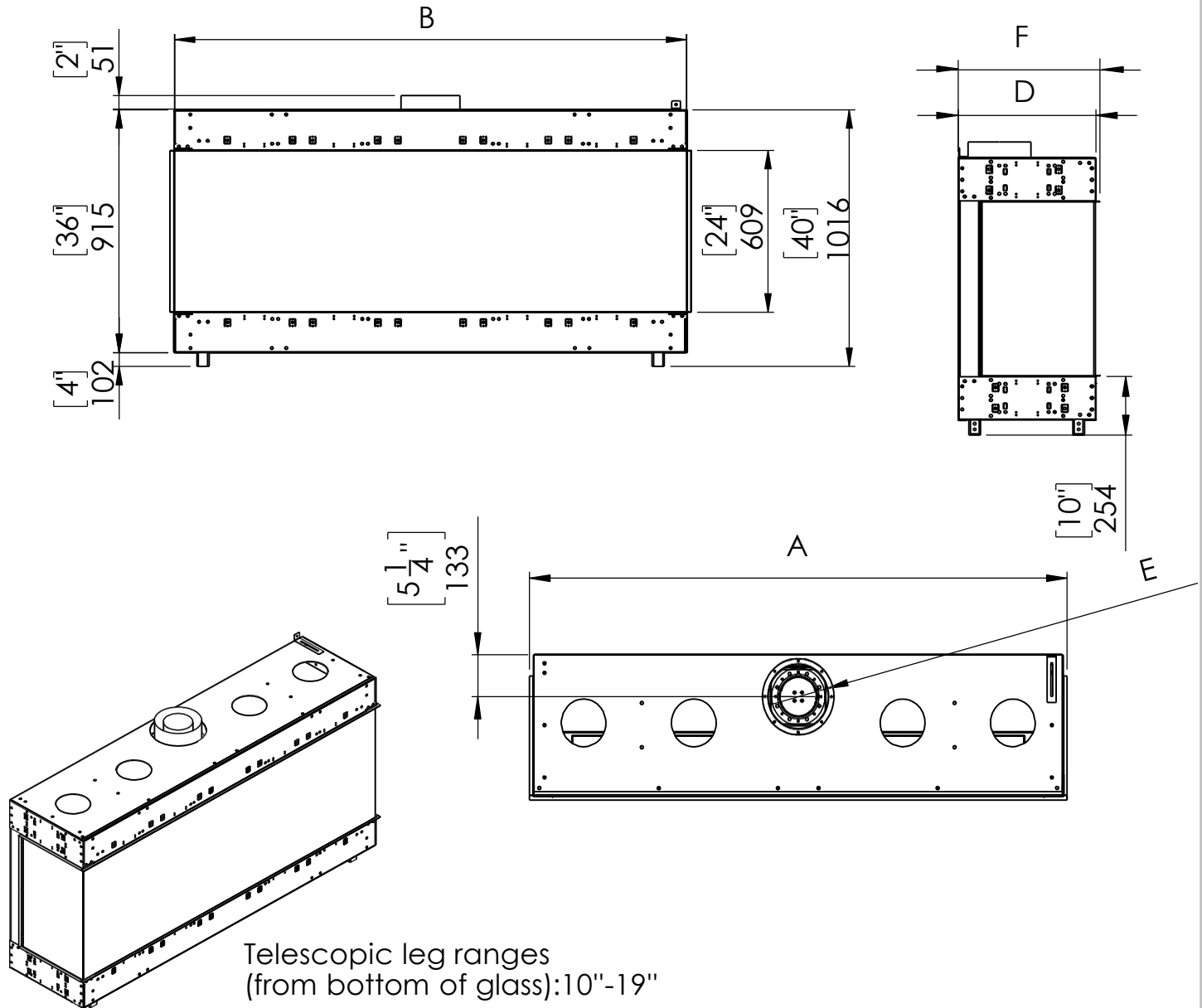
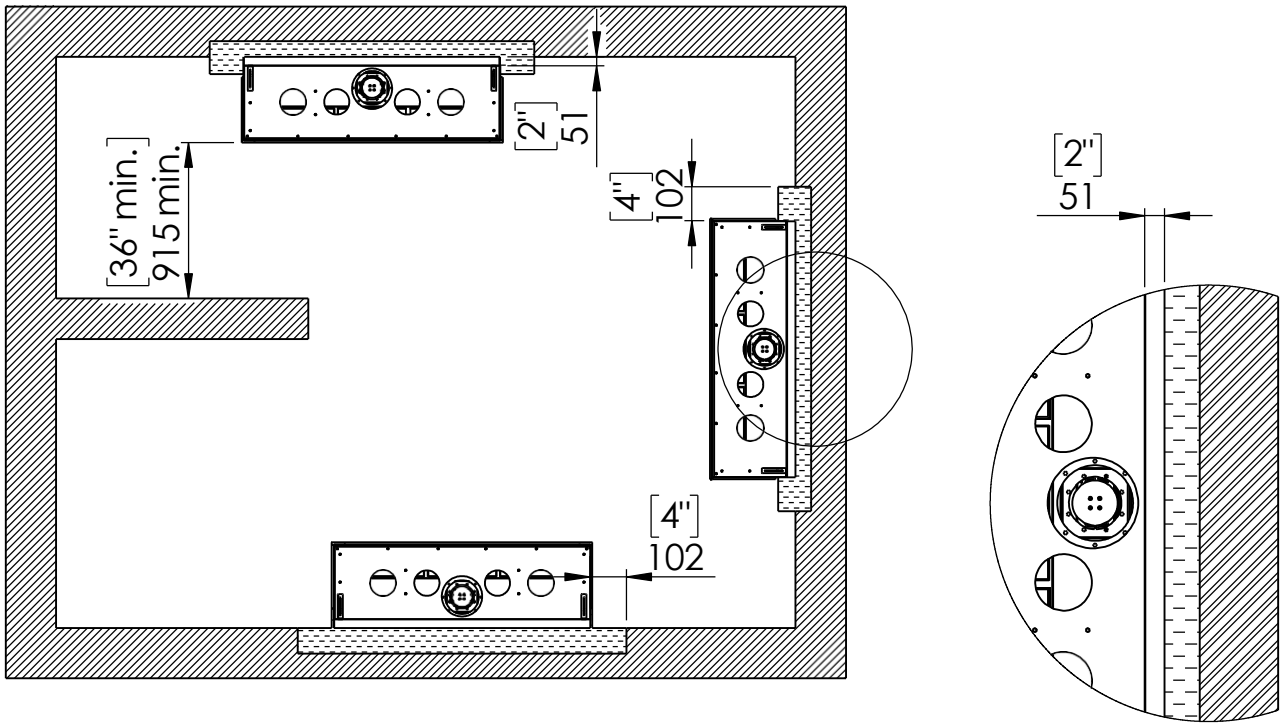


Fireplace Dimensions



Model	30	45	50	60	70	80	100
A- Inch	31 10/16	44 10/16	51 5/16	61 2/16	71	83 9/16	100 8/16
B- Inch	30 5/16	43 5/16	50	59 14/16	69 11/16	82 9/16	99 4/16
F- Inch	18 1/16	18 1/16	18 1/16	18 1/16	18 1/16	18 1/16	18 1/16
D- Inch	17 9/16	17 9/16	17 9/16	17 9/16	17 9/16	17 9/16	17 9/16
E- Inch	4x6	4x6	5x8	5x8	5x8	5x8	5x8

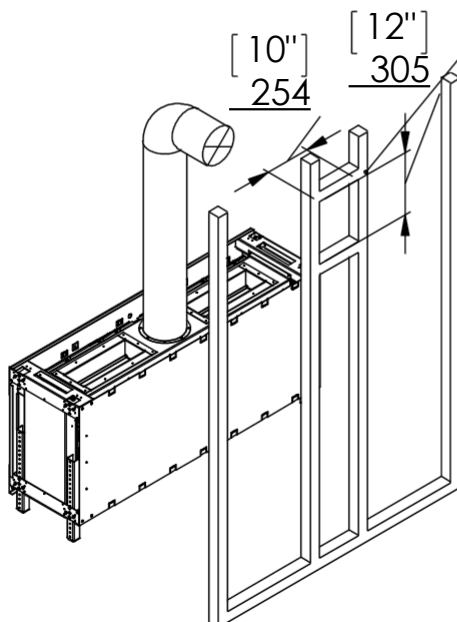


 Combustible Materials
 Non Combustible Materials

Chimney Installation

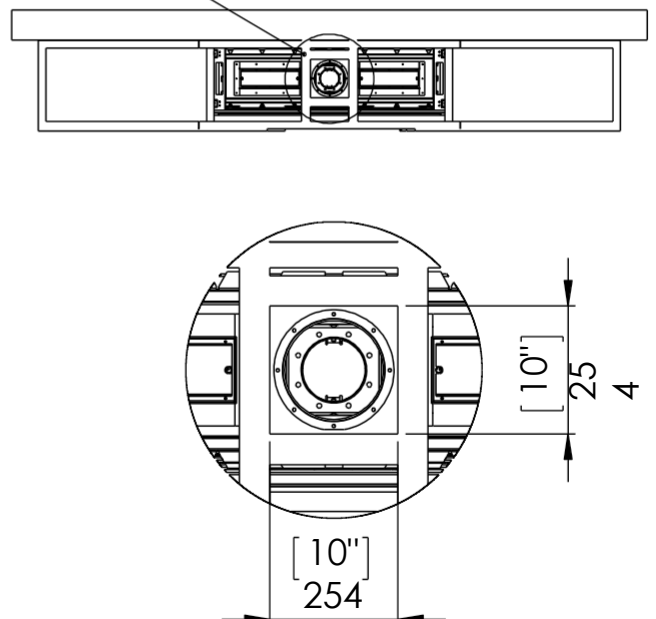
Horizontal Termination

For 5 x 8 vent size create 10" x 12" vent termination opening

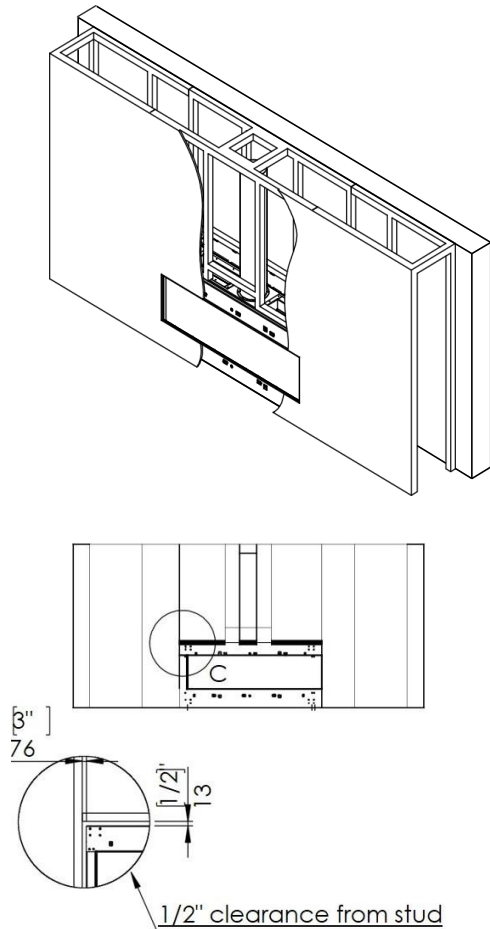


Vertical Termination

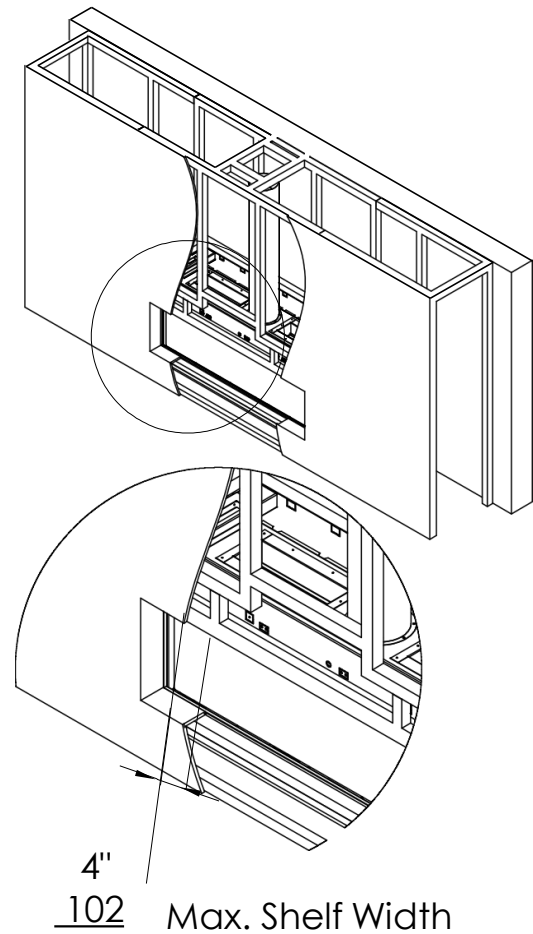
For 5 x 8 vent size create 10" x 10" vent termination opening



Flat Installation Example



L Shape Installation Example



Heat Release and Air Intakes

The following sizes MUST be maintained for the upper heat release:

For fireplaces sized 80" & 100" – open vent area must be at least **200 square inches**.

For fireplaces sized 60" & 70" – open vent area must be at least **140 square inches**.

For fireplace sized 50" and below – open vent area must be at least **100 square inches**.

The following sizes MUST be maintained for the lower air intake:

For fireplaces sized 80" & 100" – open vent area must be at least **100 square inches**.

For fireplaces sized 60" & 70" - open vent area must be at least **70 square inches**.

For fireplaces sized 50" and below - open vent area must be at least **50 square inches**.

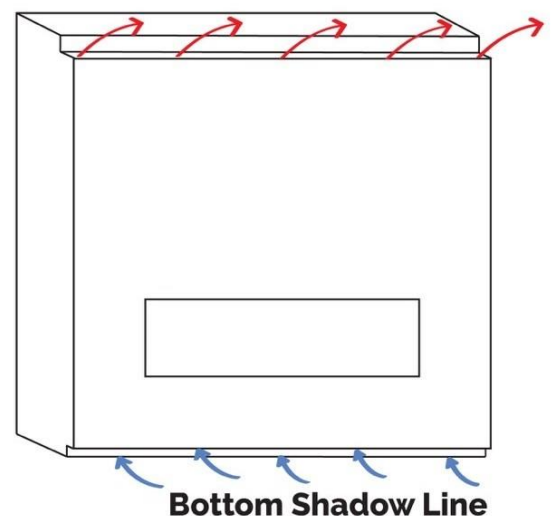
For See Through and Room Definer fireplaces, the air intake requirements are **double**.

NOTE: Openings above for Heat Release and Air Intake are measured for open air space. BE SURE TO CALCULATE FOR RESTRICTIONS IN GRATING.

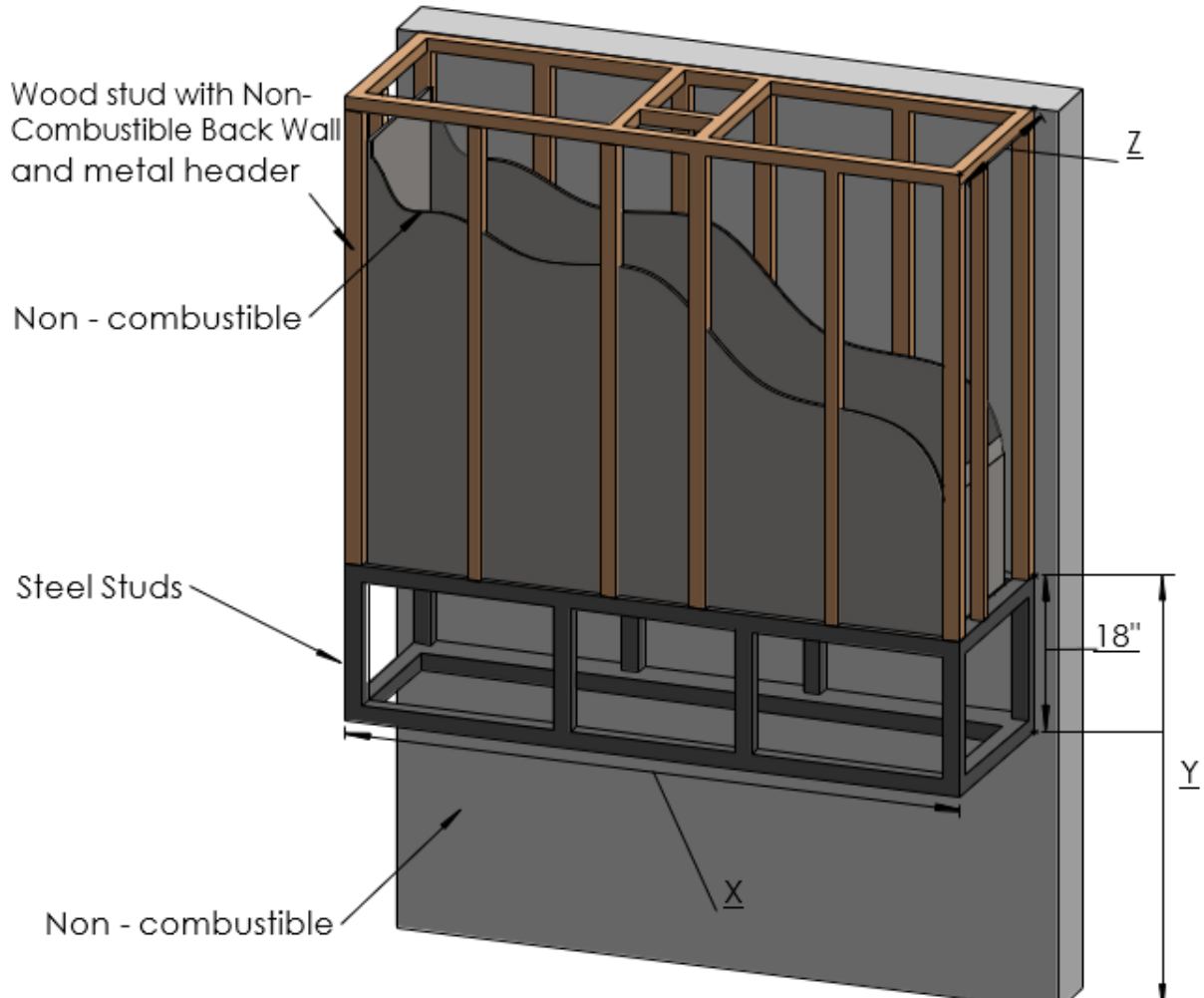
NOTE: On all See Through and Room Definer units the air intake must be doubled

Air Intakes required for Double Glass or Optional Blower kits ONLY.

Top Shadow Line



Wood Framing Dimensions



NOTE: Dimension 'Y' uses legs at default lowest height 4" below the unit with glass beginning 10" above the floor. Increase leg height and Y dimension for higher viewing window.

		X	Y	Z	
				Flat Installation	Recess Installation (4" Max)
30	Inch	30 ⁵ / ₁₆	58 ⁸ / ₁₆	20 ⁹ / ₁₆	24 ⁹ / ₁₆
	mm	770	1486	522	624
45	Inch	43 ⁵ / ₁₆	58 ⁸ / ₁₆	20 ⁹ / ₁₆	24 ⁹ / ₁₆
	mm	1087	1486	522	624
50	Inch	50	58 ⁸ / ₁₆	20 ⁹ / ₁₆	24 ⁹ / ₁₆
	mm	1270	1486	522	624
60	Inch	59 ¹⁴ / ₁₆	58 ⁸ / ₁₆	20 ⁹ / ₁₆	24 ⁹ / ₁₆
	mm	1521	1486	522	624
70	Inch	69 ¹¹ / ₁₆	58 ⁸ / ₁₆	20 ⁹ / ₁₆	24 ⁹ / ₁₆
	mm	1770	1486	522	624
80	Inch	82 ⁹ / ₁₆	58 ⁸ / ₁₆	20 ⁹ / ₁₆	24 ⁹ / ₁₆
	mm	2097	1486	522	624
100	Inch	99 ⁴ / ₁₆	58 ⁸ / ₁₆	20 ⁹ / ₁₆	24 ⁹ / ₁₆
	mm	2521	1486	522	624