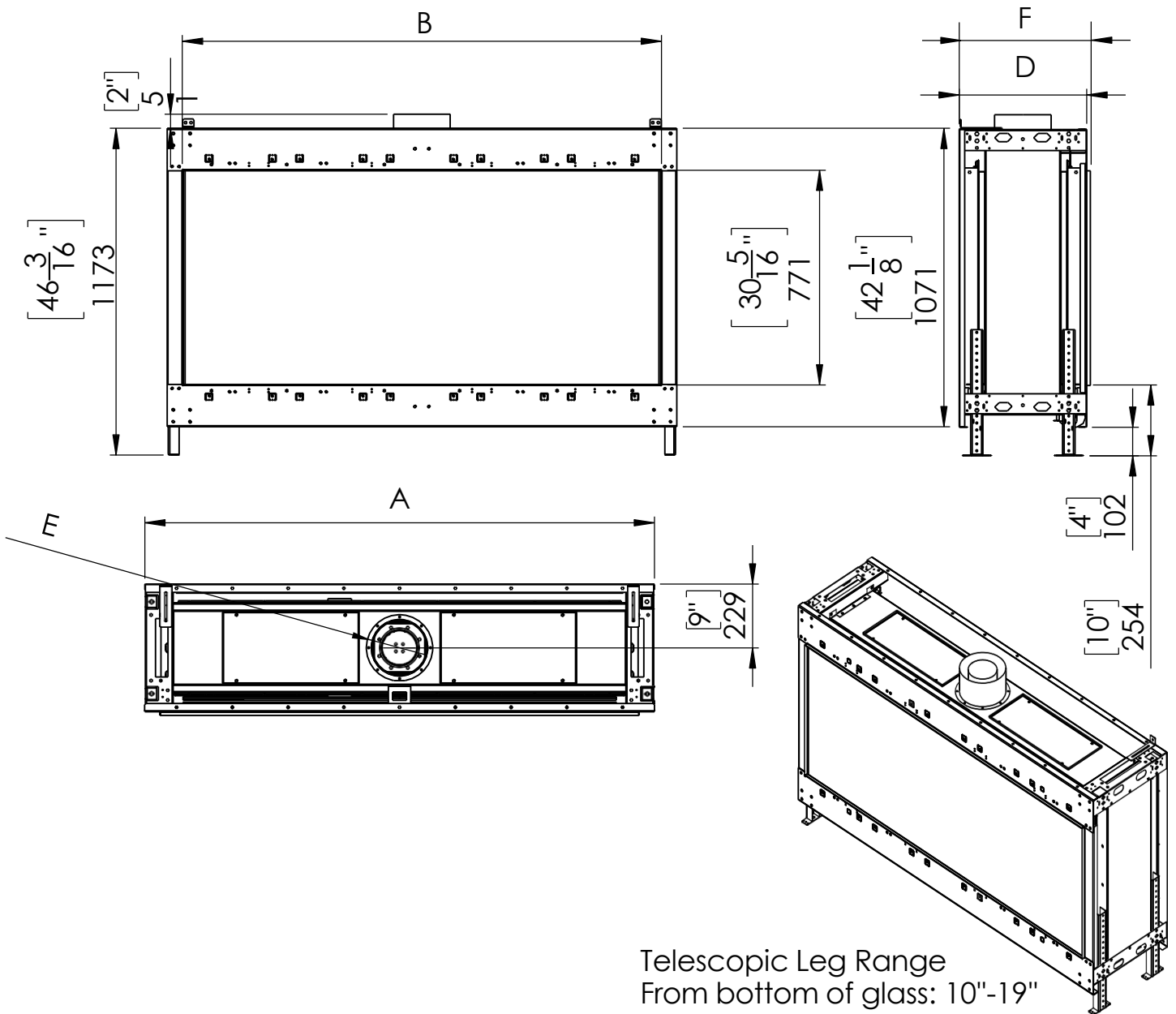


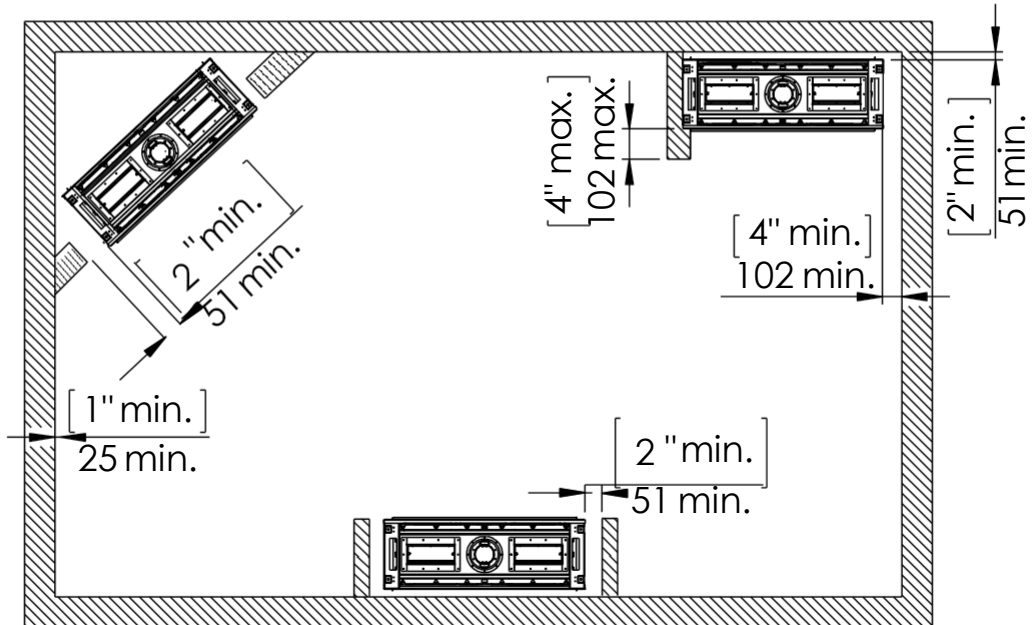
## Fireplace Dimensions



Telescopic Leg Range  
From bottom of glass: 10"-19"

Model	45	50	60	70	80	100
A- Inch	45 <sup>9</sup> / <sub>16</sub>	52 <sup>5</sup> / <sub>16</sub>	62 <sup>2</sup> / <sub>16</sub>	71 <sup>15</sup> / <sub>16</sub>	84 <sup>9</sup> / <sub>16</sub>	101 <sup>8</sup> / <sub>16</sub>
B- Inch	41 <sup>5</sup> / <sub>16</sub>	48	57 <sup>13</sup> / <sub>16</sub>	67 <sup>11</sup> / <sub>16</sub>	80 <sup>1</sup> / <sub>16</sub>	97 <sup>3</sup> / <sub>16</sub>
F- Inch	18 <sup>9</sup> / <sub>16</sub>	18 <sup>9</sup> / <sub>16</sub>	18 <sup>9</sup> / <sub>16</sub>	18 <sup>9</sup> / <sub>16</sub>	18 <sup>9</sup> / <sub>16</sub>	18 <sup>9</sup> / <sub>16</sub>
D- Inch	18 <sup>1</sup> / <sub>16</sub>	18 <sup>1</sup> / <sub>16</sub>	18 <sup>1</sup> / <sub>16</sub>	18 <sup>1</sup> / <sub>16</sub>	18 <sup>1</sup> / <sub>16</sub>	18 <sup>1</sup> / <sub>16</sub>
E- Inch	4x6	5x8	5x8	5x8	5x8	5x8

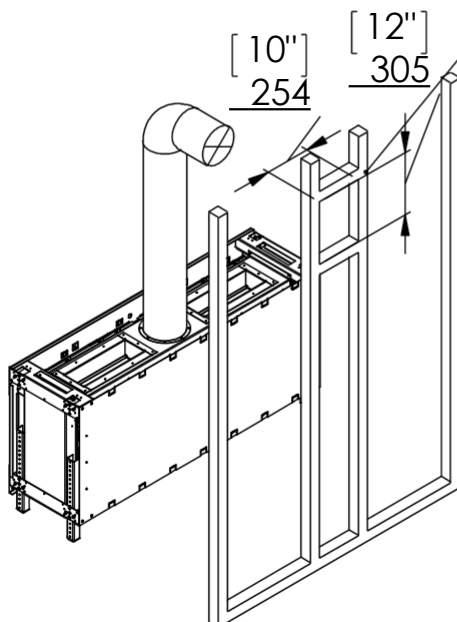
Clearances below are to non-combustible materials.



## Chimney Installation

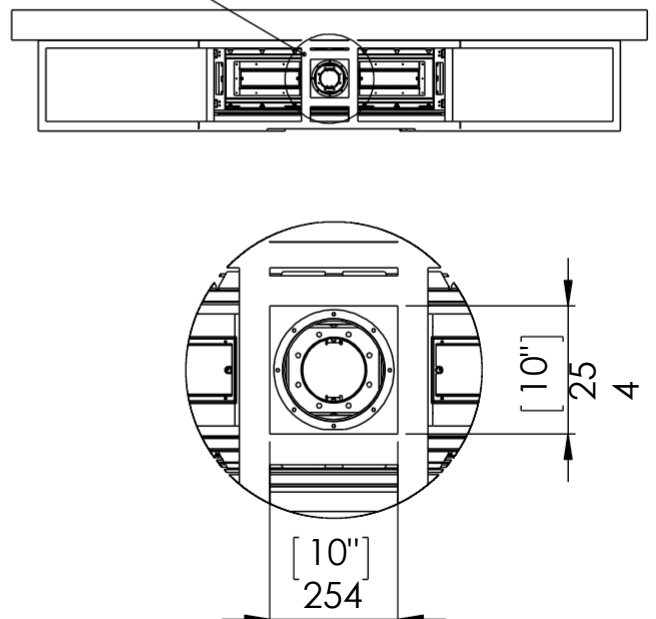
### Horizontal Termination

For 5 x 8 vent size create 10" x 12" vent termination opening

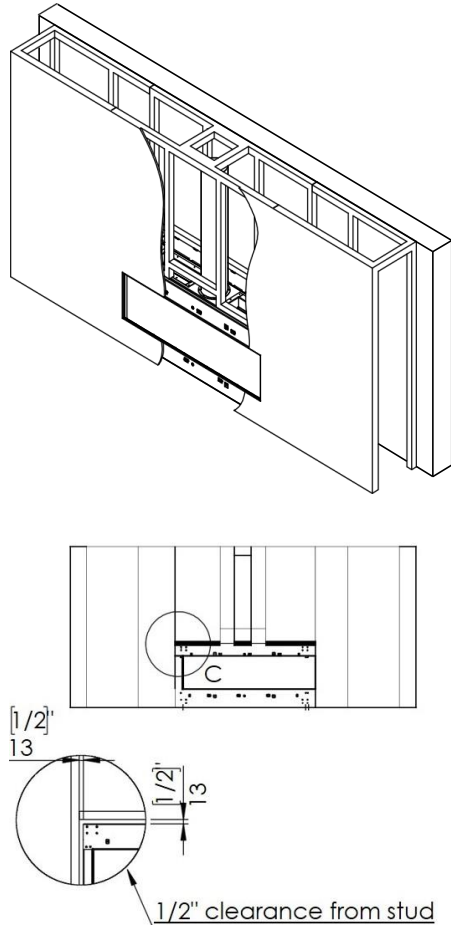


### Vertical Termination

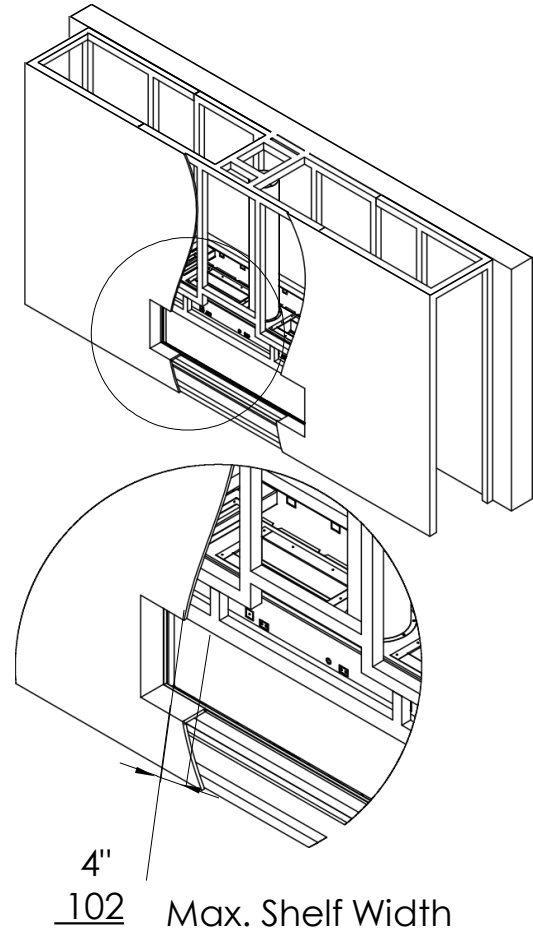
For 5 x 8 vent size create 10" x 10" vent termination opening



## Flat Installation Example



## L Shape Installation Example



## Heat Release and Air Intakes

### The following sizes MUST be maintained for the upper heat release:

For fireplaces sized 80" & 100" – open vent area must be at least **200 square inches**.

For fireplaces sized 60" & 70" – open vent area must be at least **140 square inches**.

For fireplace sized 50" and below – open vent area must be at least **100 square inches**.

### The following sizes MUST be maintained for the lower air intake:

For fireplaces sized 80" & 100" – open vent area must be at least **100 square inches**.

For fireplaces sized 60" & 70" - open vent area must be at least **70 square inches**.

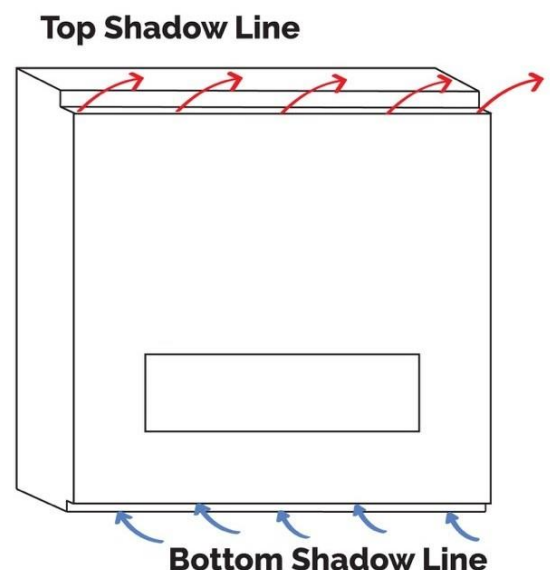
For fireplaces sized 50" and below - open vent area must be at least **50 square inches**.

For See Through and Room Definer fireplaces, the air intake requirements are **double**.

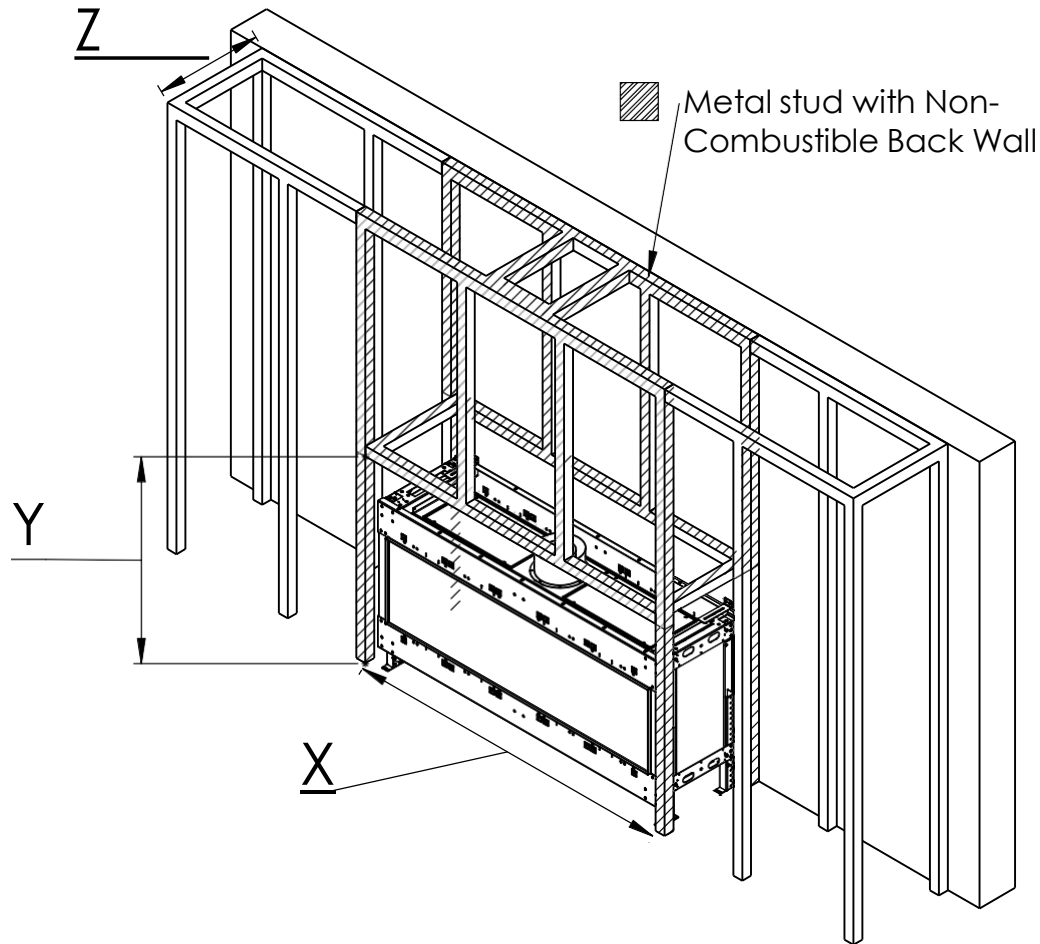
**NOTE: Openings above for Heat Release and Air Intake are measured for open air space. BE SURE TO CALCULATE FOR RESTRICTIONS IN GRATING.**

**NOTE: On all See Through and Room Definer units the air intake must be doubled**

Air Intakes required for Double Glass or Optional Blower kits ONLY.



# Metal Framing Dimensions



**NOTE:** Dimension 'Y' uses legs at default lowest height 4" below the unit with glass beginning 10" above the floor. Increase leg height and Y dimension for higher viewing window.

		X	Y	Z	
				Flat Installation	Recess Installation ( 4" Max)
45	Inch	46 <sup>9</sup> / <sub>16</sub>	46 <sup>11</sup> / <sub>16</sub>	20 <sup>1</sup> / <sub>16</sub>	24 <sup>1</sup> / <sub>16</sub>
	mm	1169	1186	510	611
50	Inch	53 <sup>5</sup> / <sub>16</sub>	46 <sup>11</sup> / <sub>16</sub>	20 <sup>1</sup> / <sub>16</sub>	24 <sup>1</sup> / <sub>16</sub>
	mm	1354	1186	510	611
60	Inch	63 <sup>2</sup> / <sub>16</sub>	46 <sup>11</sup> / <sub>16</sub>	20 <sup>1</sup> / <sub>16</sub>	24 <sup>1</sup> / <sub>16</sub>
	mm	1603	1186	510	611
70	Inch	72 <sup>15</sup> / <sub>16</sub>	46 <sup>11</sup> / <sub>16</sub>	20 <sup>1</sup> / <sub>16</sub>	24 <sup>1</sup> / <sub>16</sub>
	mm	1853	1186	510	611
80	Inch	85 <sup>9</sup> / <sub>16</sub>	46 <sup>11</sup> / <sub>16</sub>	20 <sup>1</sup> / <sub>16</sub>	24 <sup>1</sup> / <sub>16</sub>
	mm	2173	1186	510	611
100	Inch	102 <sup>8</sup> / <sub>16</sub>	46 <sup>11</sup> / <sub>16</sub>	20 <sup>1</sup> / <sub>16</sub>	24 <sup>1</sup> / <sub>16</sub>
	mm	2604	1186	510	611