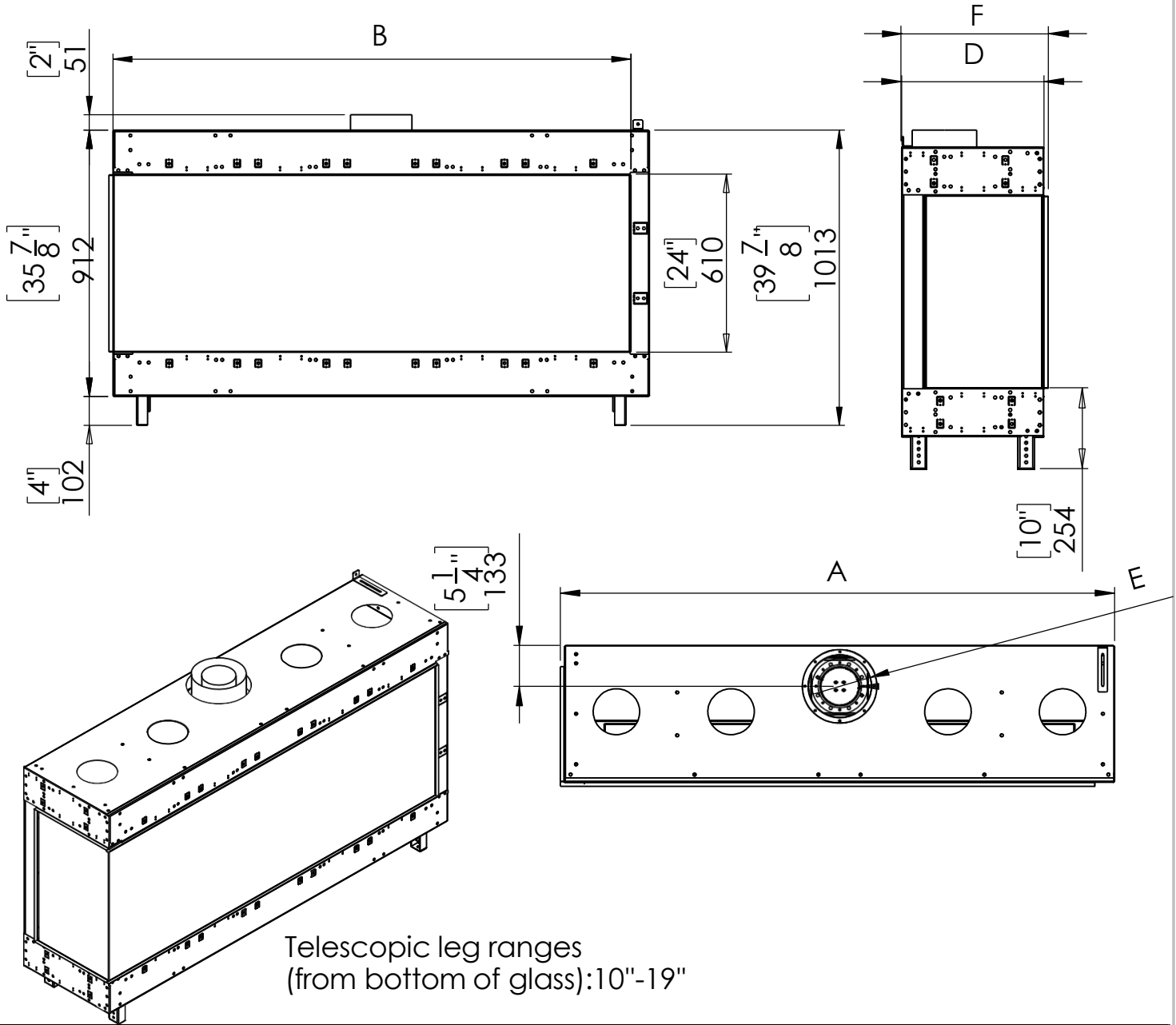
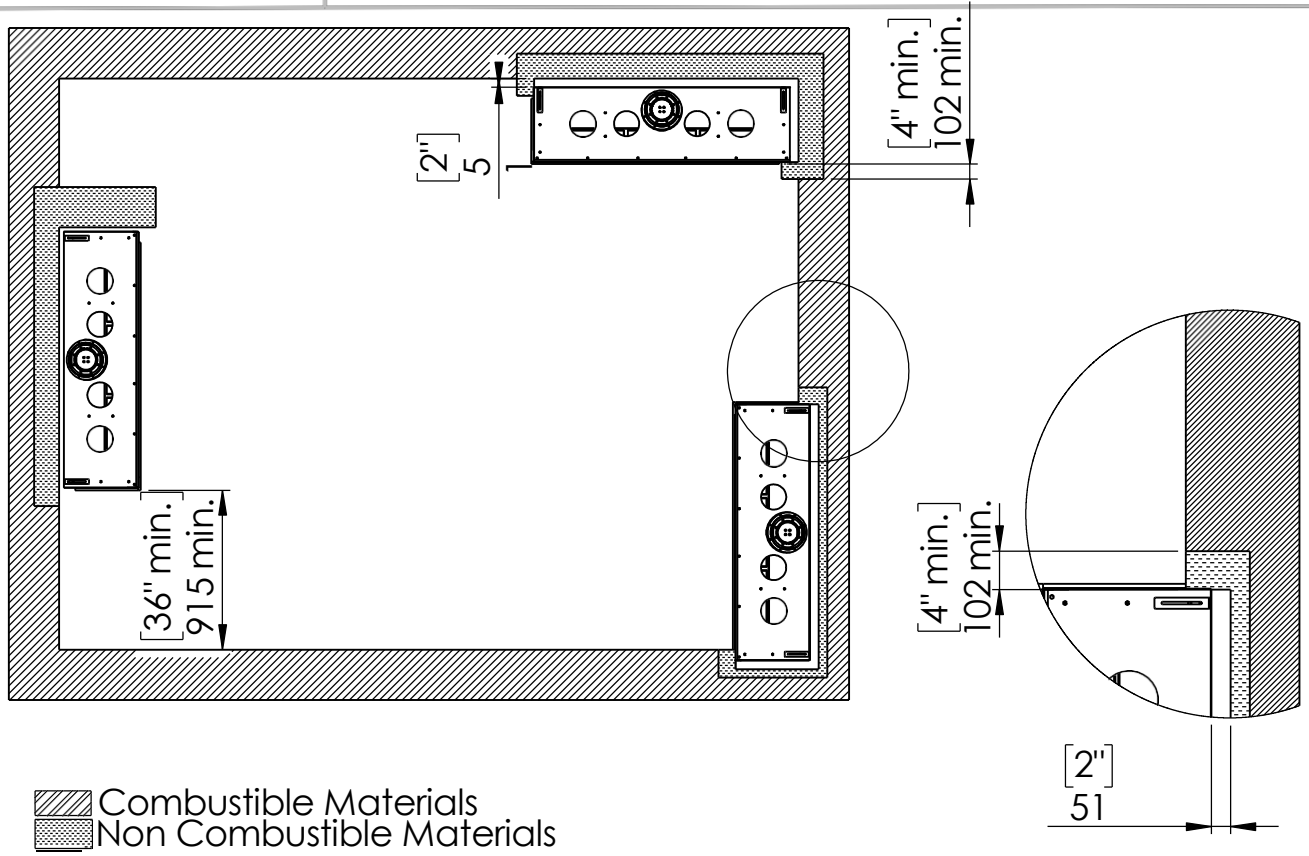


## Fireplace Dimensions



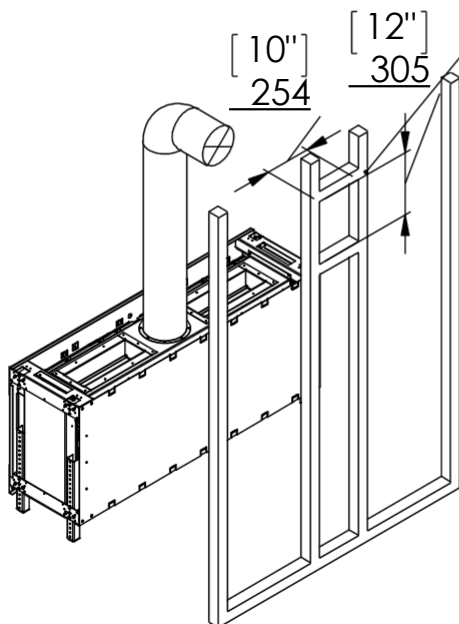
Model	30	45	50	60	70	80	100
A- Inch	31 2/16	44 2/16	50 13/16	60 10/16	70 8/16	83 1/16	100
B- Inch	28 4/16	41 4/16	47 15/16	57 11/16	67 10/16	80	97 3/16
F- Inch	18 1/16	18 1/16	18 1/16	18 1/16	18 1/16	18 1/16	18 1/16
D- Inch	17 9/16	17 9/16	17 9/16	17 9/16	17 9/16	17 9/16	17 9/16
E- Inch	4x6	4x6	5x8	5x8	5x8	5x8	5x8



## Chimney Installation

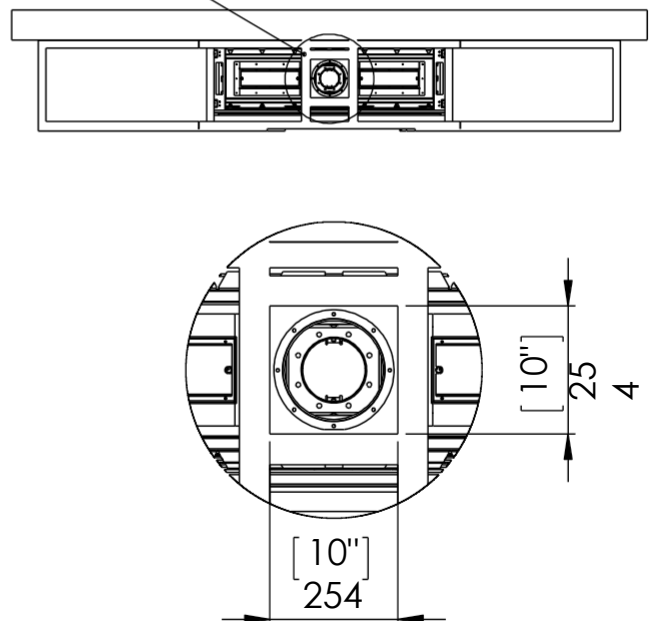
### Horizontal Termination

For 5 x 8 vent size create 10" x 12" vent termination opening

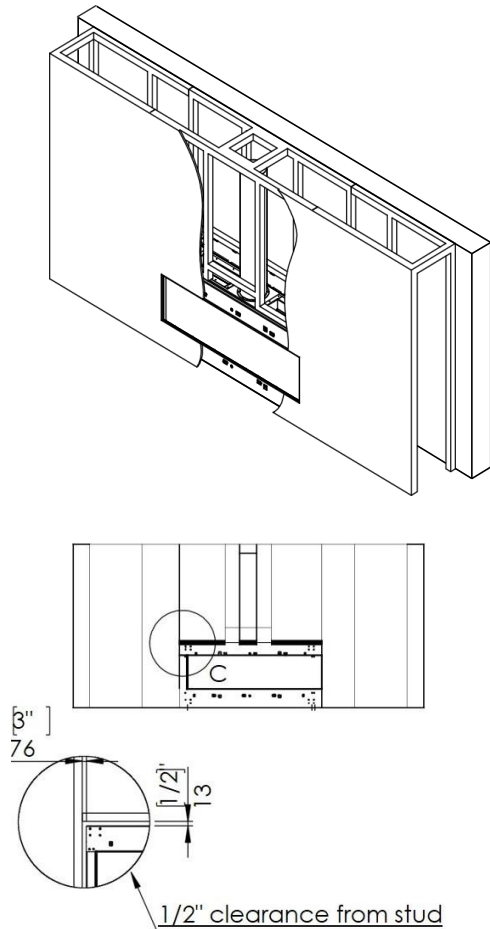


### Vertical Termination

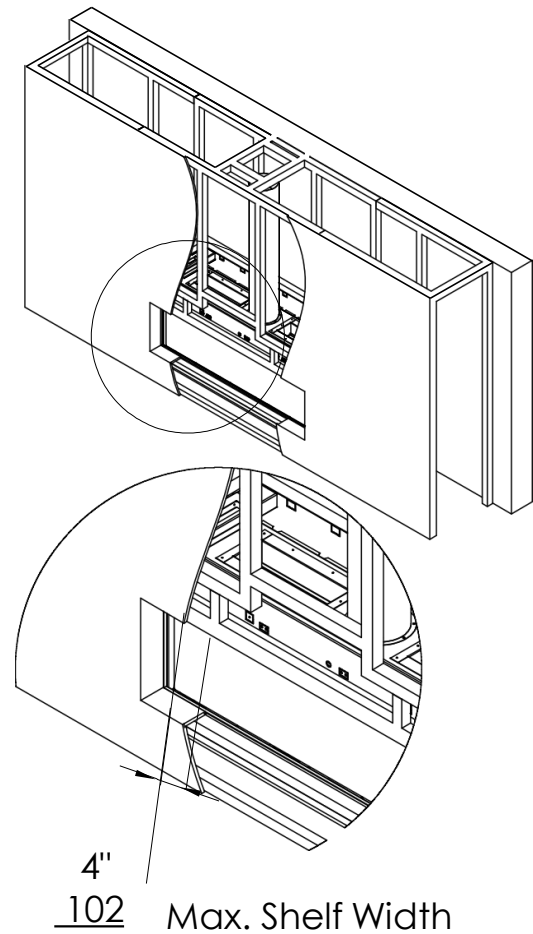
For 5 x 8 vent size create 10" x 10" vent termination opening



## Flat Installation Example



## L Shape Installation Example



## Heat Release and Air Intakes

### The following sizes MUST be maintained for the upper heat release:

For fireplaces sized 80" & 100" – open vent area must be at least **200 square inches**.

For fireplaces sized 60" & 70" – open vent area must be at least **140 square inches**.

For fireplace sized 50" and below – open vent area must be at least **100 square inches**.

### The following sizes MUST be maintained for the lower air intake:

For fireplaces sized 80" & 100" – open vent area must be at least **100 square inches**.

For fireplaces sized 60" & 70" - open vent area must be at least **70 square inches**.

For fireplaces sized 50" and below - open vent area must be at least **50 square inches**.

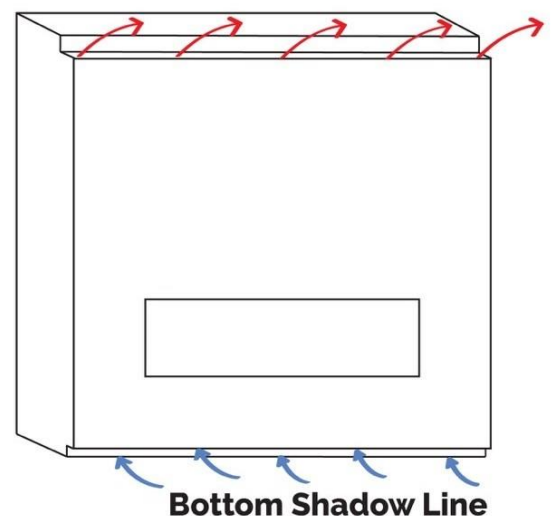
For See Through and Room Definer fireplaces, the air intake requirements are **double**.

**NOTE: Openings above for Heat Release and Air Intake are measured for open air space. BE SURE TO CALCULATE FOR RESTRICTIONS IN GRATING.**

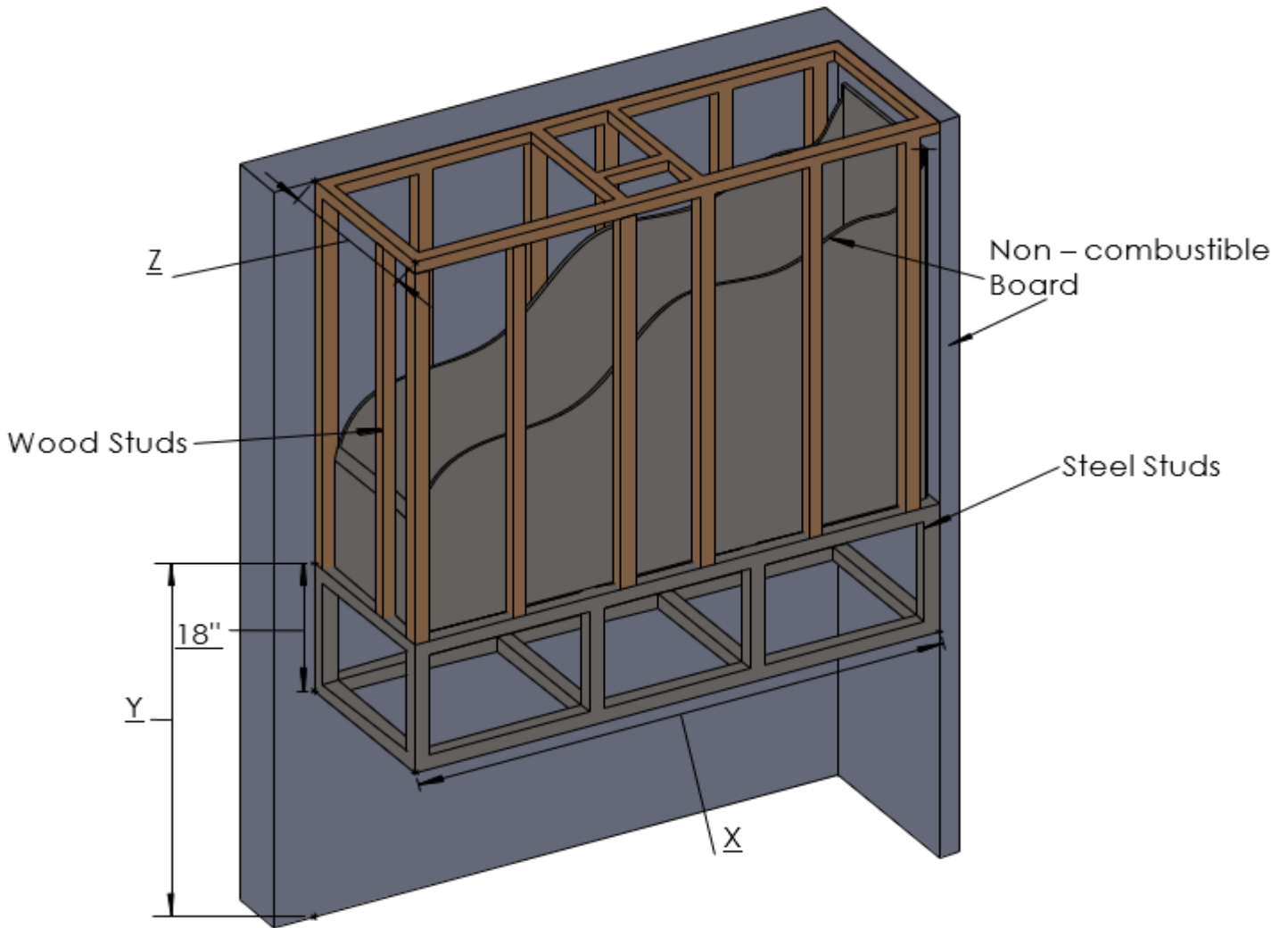
**NOTE: On all See Through and Room Definer units the air intake must be doubled**

Air Intakes required for Double Glass or Optional Blower kits ONLY.

### Top Shadow Line



# Wood Framing Dimensions



**NOTE: Dimension 'Y' uses legs at default lowest height 4" below the unit with glass beginning 10" above the floor. Increase leg height and Y dimension for higher viewing window.**

		X	Y	Z	
				Flat Installation	Recess Installation ( 4" Max)
30	Inch	34 <sup>2</sup> / <sub>16</sub>	58 <sup>6</sup> / <sub>16</sub>	20 <sup>9</sup> / <sub>16</sub>	24 <sup>9</sup> / <sub>16</sub>
	mm	867	1483	522	624
45	Inch	46 <sup>2</sup> / <sub>16</sub>	58 <sup>6</sup> / <sub>16</sub>	20 <sup>9</sup> / <sub>16</sub>	24 <sup>9</sup> / <sub>16</sub>
	mm	1158	1483	522	624
50	Inch	53 <sup>13</sup> / <sub>16</sub>	58 <sup>6</sup> / <sub>16</sub>	20 <sup>9</sup> / <sub>16</sub>	24 <sup>9</sup> / <sub>16</sub>
	mm	1367	1483	522	624
60	Inch	63 <sup>10</sup> / <sub>16</sub>	58 <sup>6</sup> / <sub>16</sub>	20 <sup>9</sup> / <sub>16</sub>	24 <sup>9</sup> / <sub>16</sub>
	mm	1616	1483	522	624
70	Inch	73 <sup>8</sup> / <sub>16</sub>	58 <sup>6</sup> / <sub>16</sub>	20 <sup>9</sup> / <sub>16</sub>	24 <sup>9</sup> / <sub>16</sub>
	mm	1867	1483	522	624
80	Inch	86 <sup>1</sup> / <sub>16</sub>	58 <sup>6</sup> / <sub>16</sub>	20 <sup>9</sup> / <sub>16</sub>	24 <sup>9</sup> / <sub>16</sub>
	mm	2186	1483	522	624
100	Inch	103	58 <sup>6</sup> / <sub>16</sub>	20 <sup>9</sup> / <sub>16</sub>	24 <sup>9</sup> / <sub>16</sub>
	mm	2616	1483	522	624