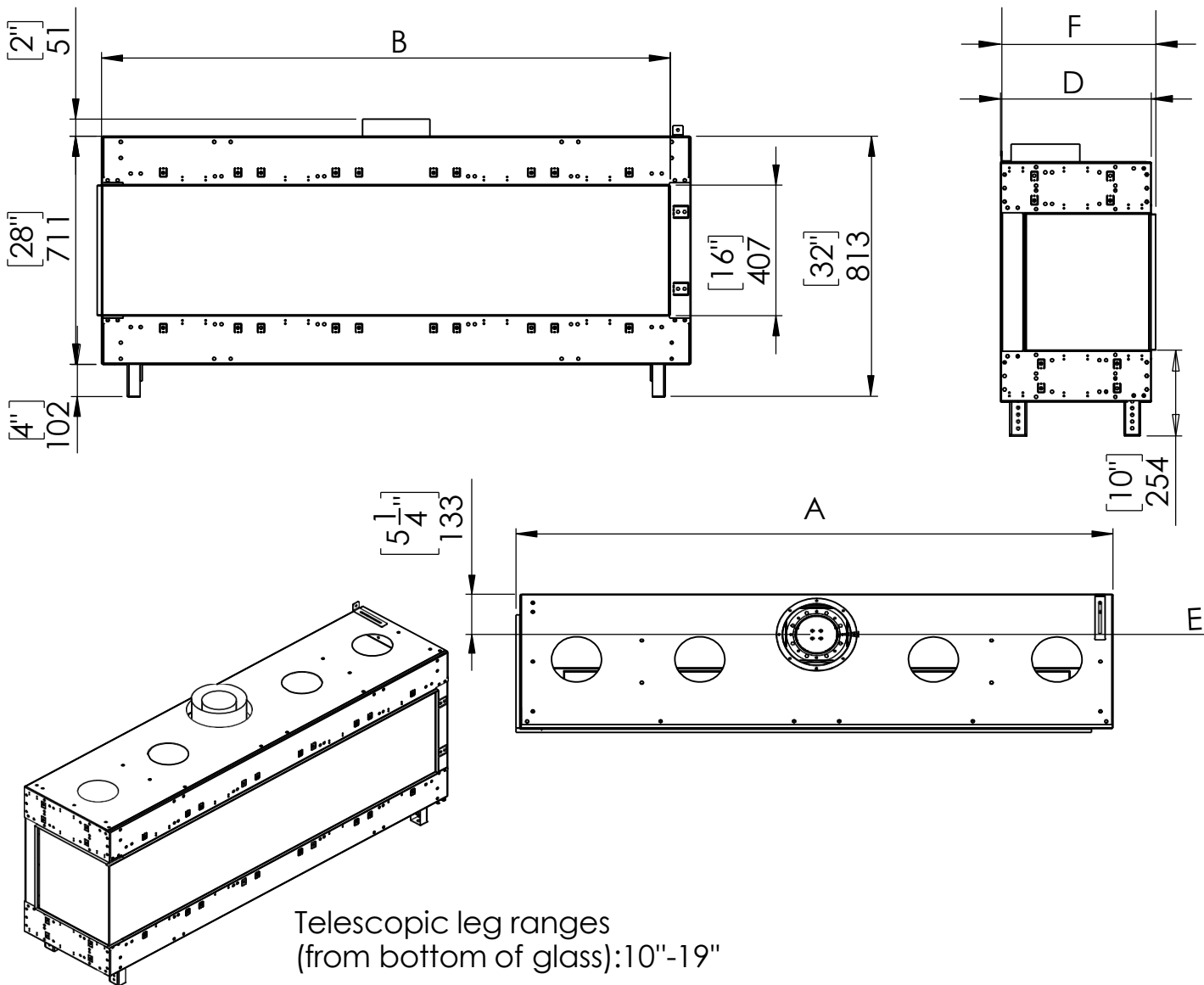
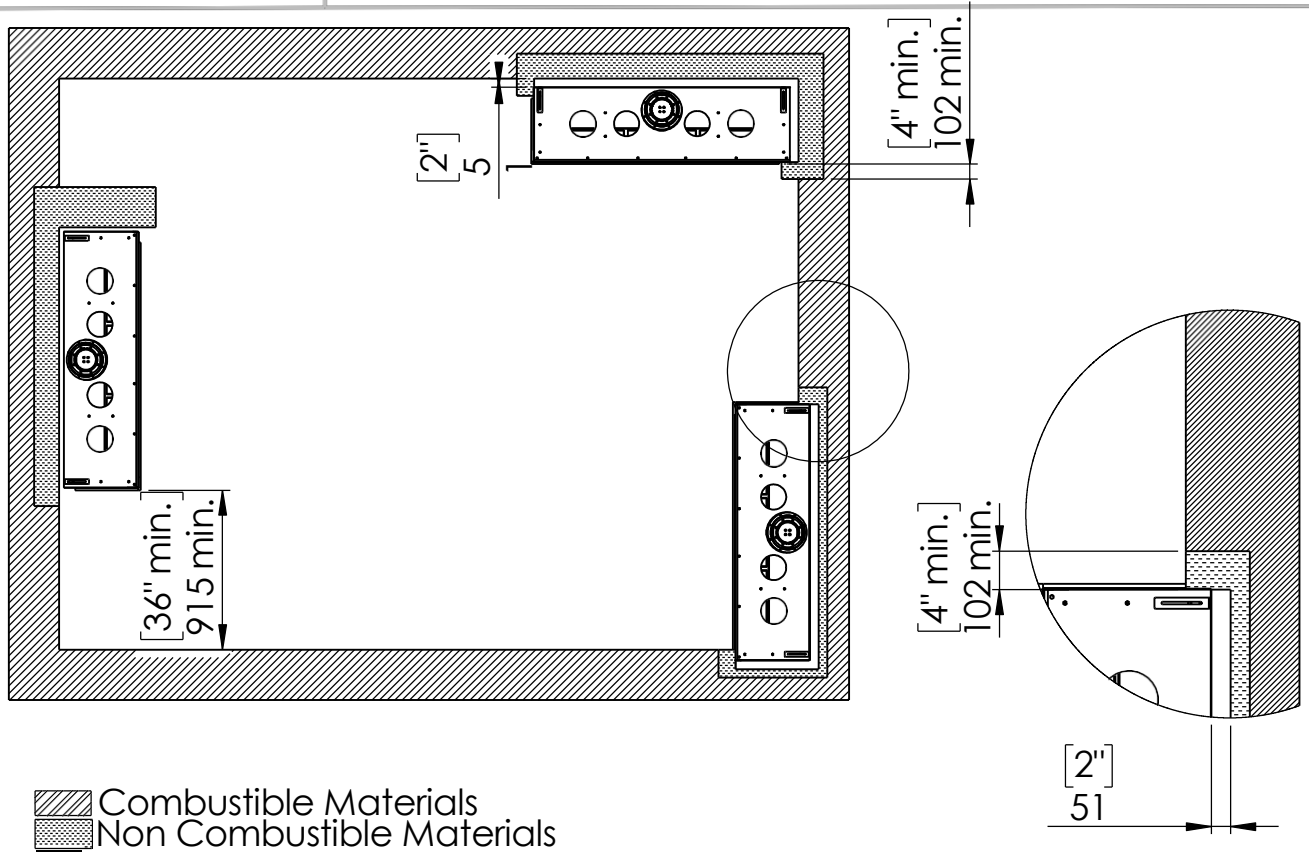


Fireplace Dimensions



Telescopic leg ranges
(from bottom of glass): 10"-19"

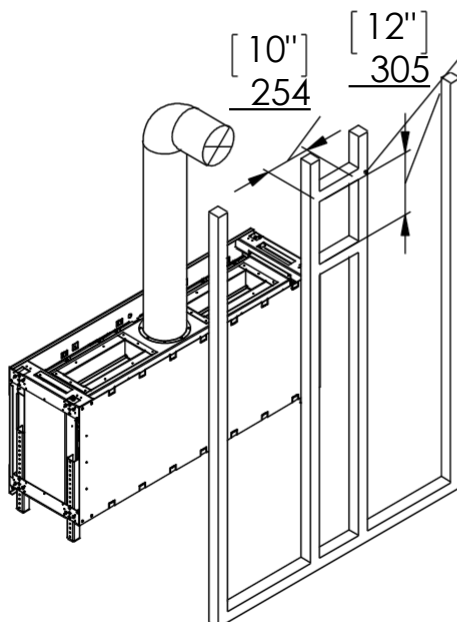
Model	45	50	60	70	80	100
A- Inch	44 ² / ₁₆	50 ¹³ / ₁₆	60 ¹⁰ / ₁₆	70 ⁸ / ₁₆	83 ¹ / ₁₆	100
B- Inch	41 ⁴ / ₁₆	47 ¹⁵ / ₁₆	57 ¹¹ / ₁₆	67 ¹⁰ / ₁₆	80	97 ³ / ₁₆
F- Inch	18 ¹ / ₁₆	18 ¹ / ₁₆	18 ¹ / ₁₆	18 ¹ / ₁₆	18 ¹ / ₁₆	18 ¹ / ₁₆
D- Inch	17 ⁹ / ₁₆	17 ⁹ / ₁₆	17 ⁹ / ₁₆	17 ⁹ / ₁₆	17 ⁹ / ₁₆	17 ⁹ / ₁₆
E- Inch	4x6	5x8	5x8	5x8	5x8	5x8



Chimney Installation

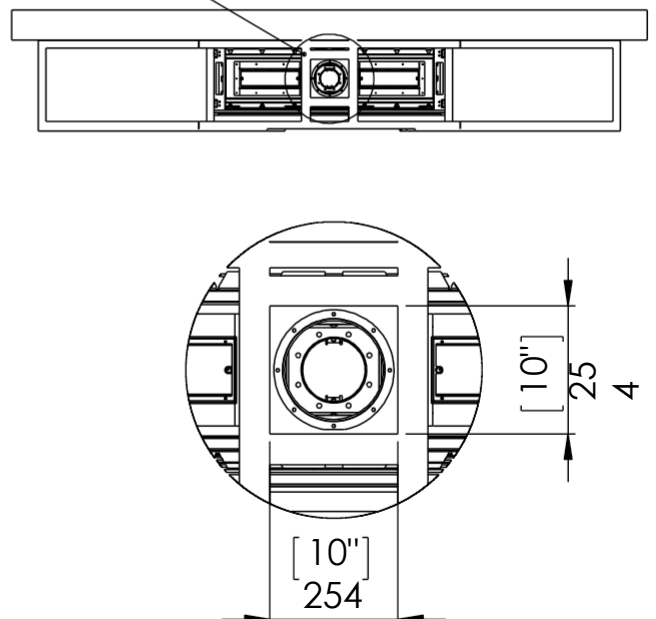
Horizontal Termination

For 5 x 8 vent size create 10" x 12" vent termination opening

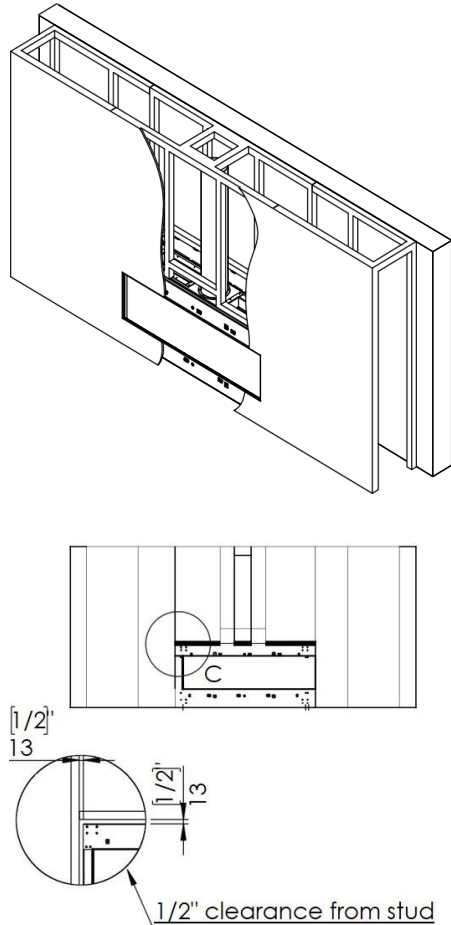


Vertical Termination

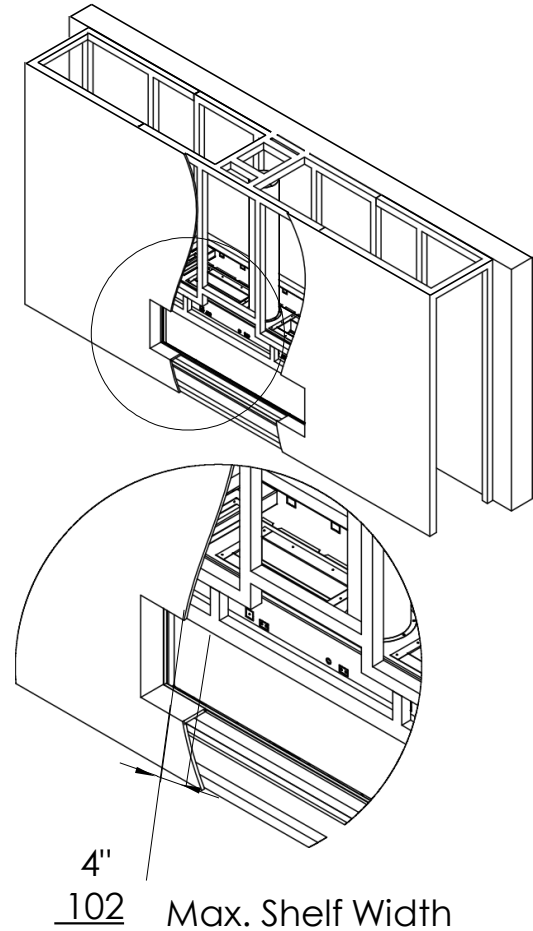
For 5 x 8 vent size create 10" x 10" vent termination opening



Flat Installation Example



L Shape Installation Example



Heat Release and Air Intakes

The following sizes MUST be maintained for the upper heat release:

For fireplaces sized 80" & 100" – open vent area must be at least **200 square inches**.

For fireplaces sized 60" & 70" – open vent area must be at least **140 square inches**.

For fireplace sized 50" and below – open vent area must be at least **100 square inches**.

The following sizes MUST be maintained for the lower air intake:

For fireplaces sized 80" & 100" – open vent area must be at least **100 square inches**.

For fireplaces sized 60" & 70" - open vent area must be at least **70 square inches**.

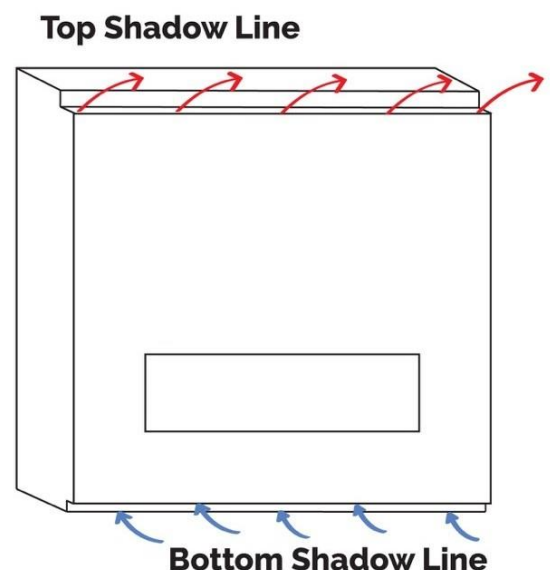
For fireplaces sized 50" and below - open vent area must be at least **50 square inches**.

For See Through and Room Definer fireplaces, the air intake requirements are **double**.

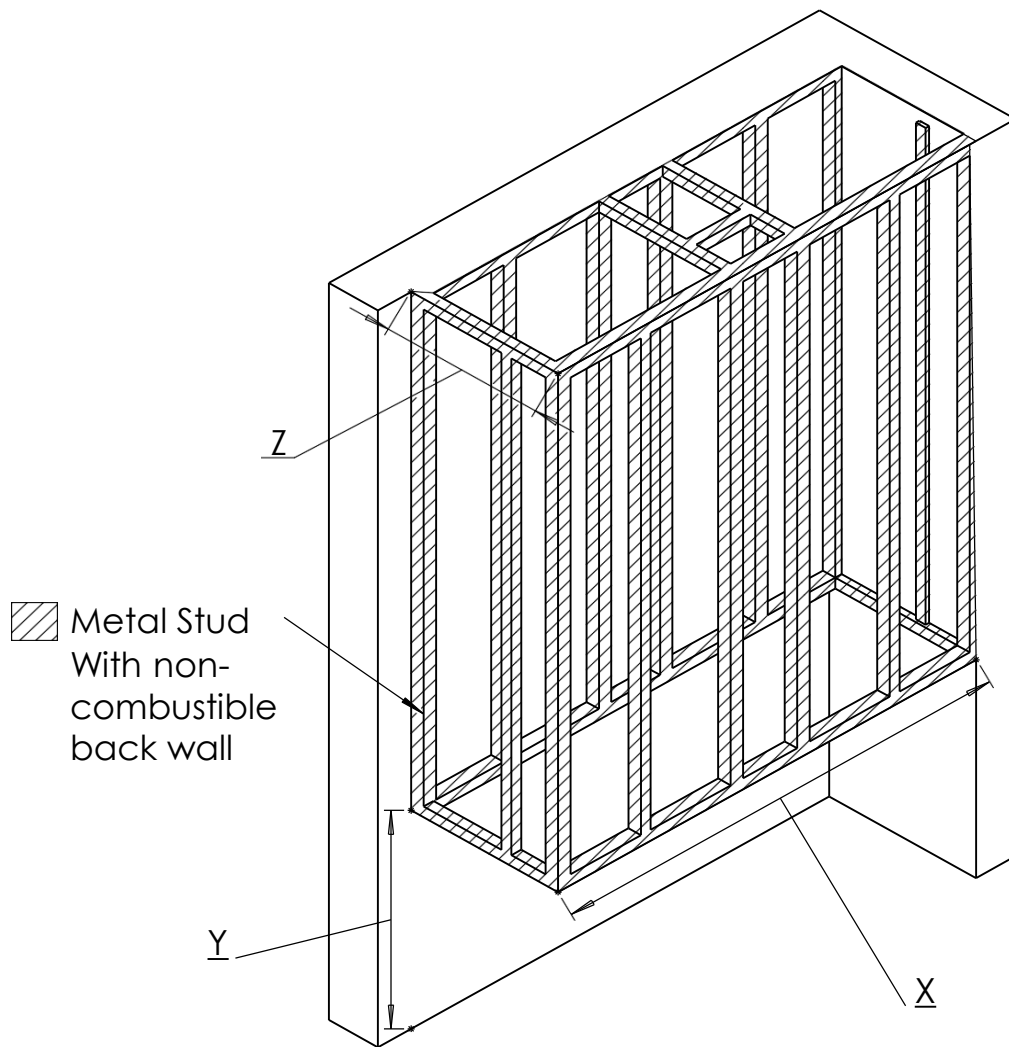
NOTE: Openings above for Heat Release and Air Intake are measured for open air space. BE SURE TO CALCULATE FOR RESTRICTIONS IN GRATING.

NOTE: On all See Through and Room Definer units the air intake must be doubled

Air Intakes required for Double Glass or Optional Blower kits ONLY.



Metal Framing Dimensions



NOTE: Dimension 'Y' uses legs at default lowest height 4" below the unit with glass beginning 10" above the floor. Increase leg height and Y dimension for higher viewing window.

		X	Y	Z	
				Flat Installation	Recess Installation (4" Max)
45	Inch	46 ² / ₁₆	32 ⁸ / ₁₆	19 ⁹ / ₁₆	23 ⁹ / ₁₆
	mm	1158	826	497	598
50	Inch	52 ¹³ / ₁₆	32 ⁸ / ₁₆	19 ⁹ / ₁₆	23 ⁹ / ₁₆
	mm	1341	826	497	598
60	Inch	62 ¹⁰ / ₁₆	32 ⁸ / ₁₆	19 ⁹ / ₁₆	23 ⁹ / ₁₆
	mm	1591	826	497	598
70	Inch	72 ⁸ / ₁₆	32 ⁸ / ₁₆	19 ⁹ / ₁₆	23 ⁹ / ₁₆
	mm	1842	826	497	598
80	Inch	83 ¹ / ₁₆	32 ⁸ / ₁₆	19 ⁹ / ₁₆	23 ⁹ / ₁₆
	mm	2110	826	497	598
100	Inch	102	32 ⁸ / ₁₆	19 ⁹ / ₁₆	23 ⁹ / ₁₆
	mm	2591	826	497	598