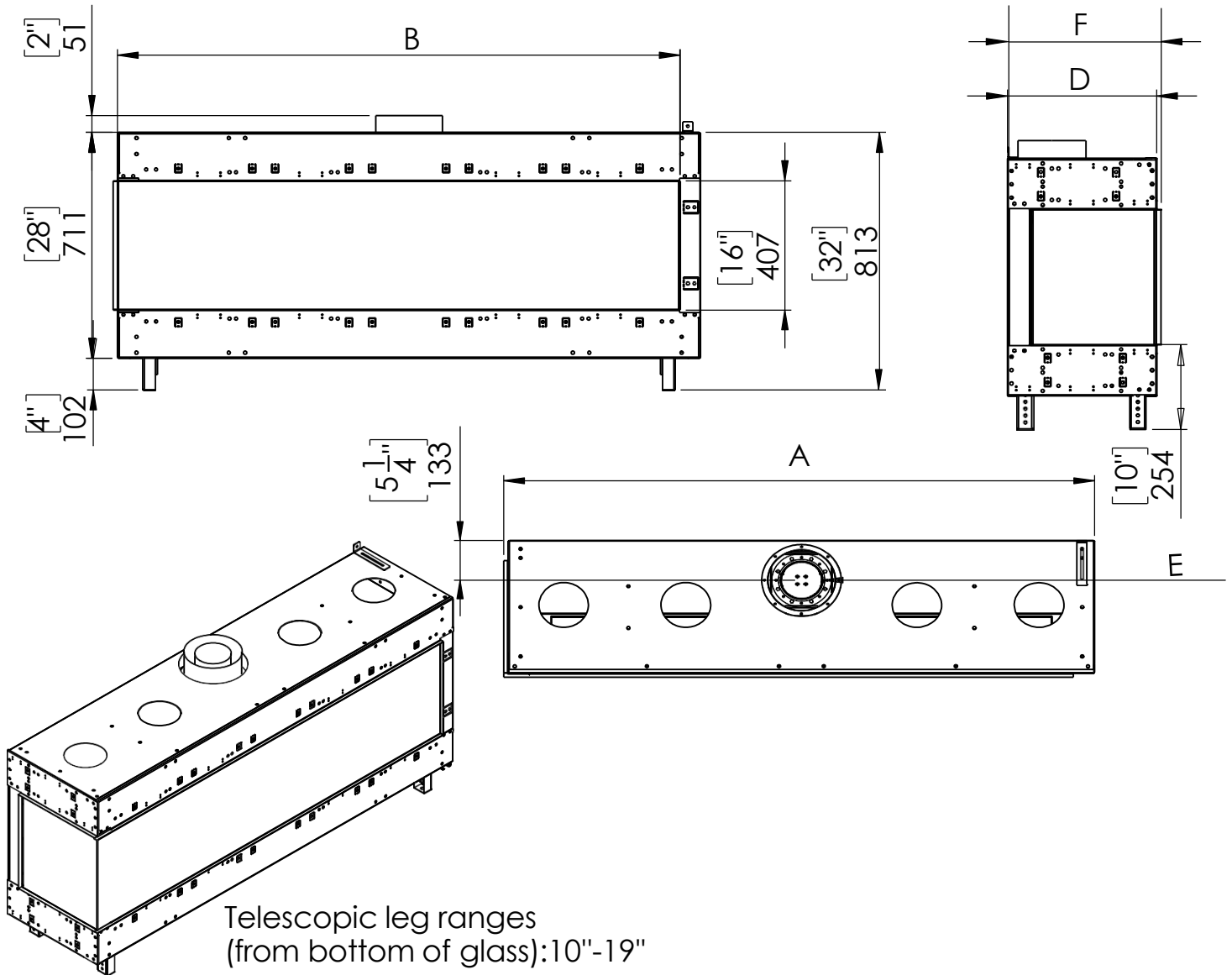
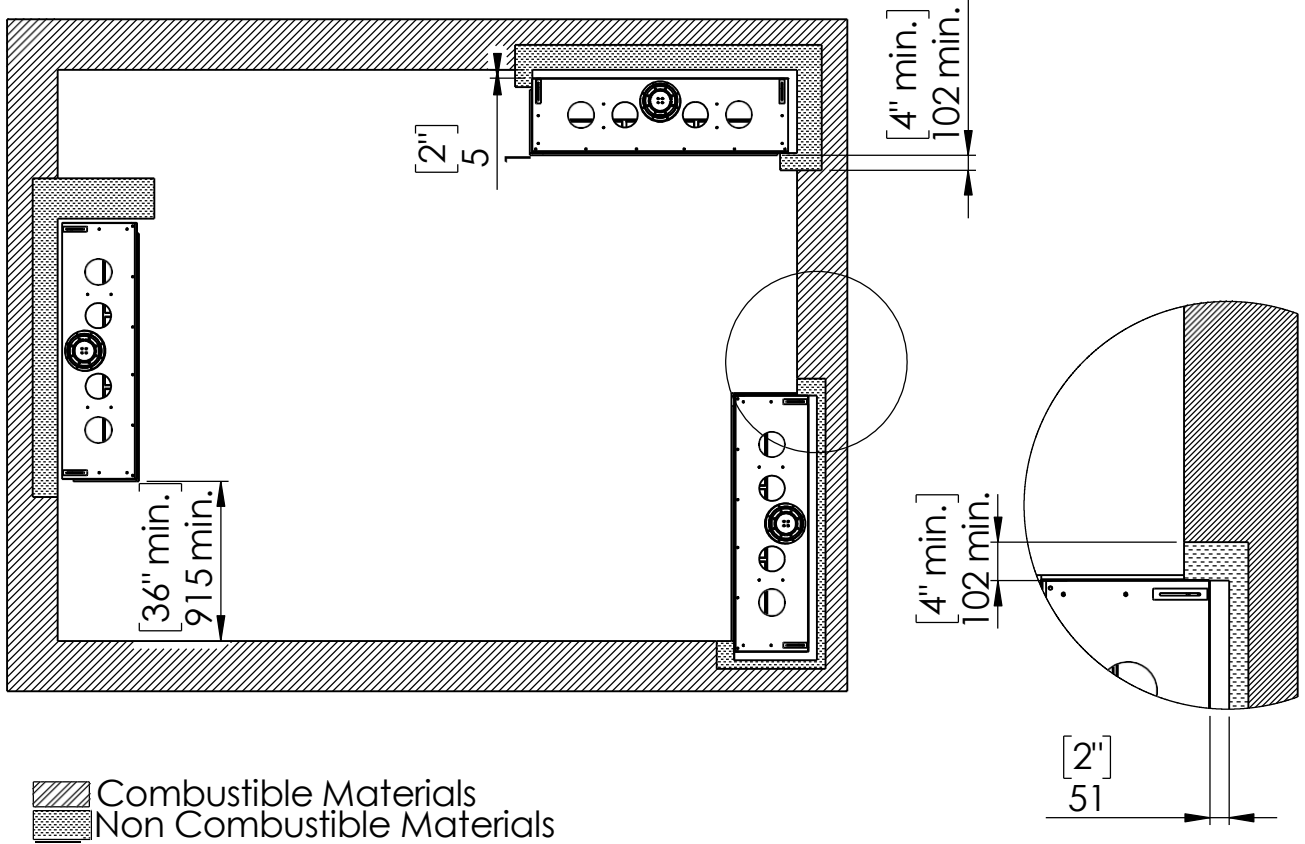


Left Corner Wood Frame

Fireplace Dimensions



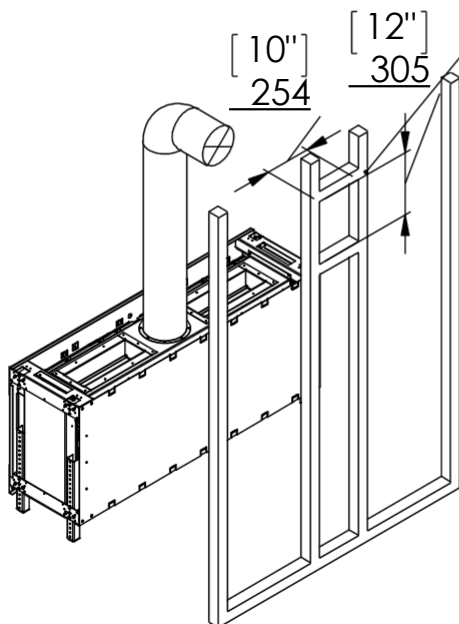
Model	45	50	60	70	80	100
A- Inch	44 ² / ₁₆	50 ¹³ / ₁₆	60 ¹⁰ / ₁₆	70 ⁸ / ₁₆	83 ¹ / ₁₆	100
B- Inch	41 ⁴ / ₁₆	47 ¹⁵ / ₁₆	57 ¹¹ / ₁₆	67 ¹⁰ / ₁₆	80	97 ³ / ₁₆
F- Inch	18 ¹ / ₁₆	18 ¹ / ₁₆	18 ¹ / ₁₆	18 ¹ / ₁₆	18 ¹ / ₁₆	18 ¹ / ₁₆
D- Inch	17 ⁹ / ₁₆	17 ⁹ / ₁₆	17 ⁹ / ₁₆	17 ⁹ / ₁₆	17 ⁹ / ₁₆	17 ⁹ / ₁₆
E- Inch	4x6	5x8	5x8	5x8	5x8	5x8



Chimney Installation

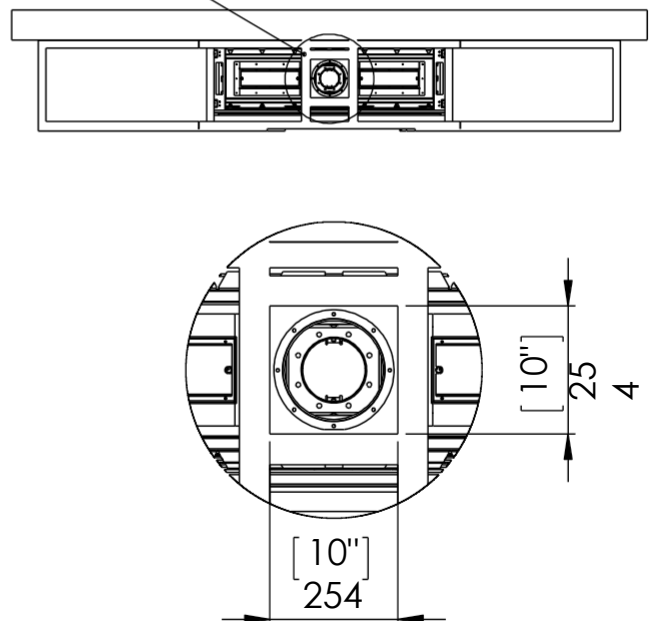
Horizontal Termination

For 5 x 8 vent size create 10" x 12" vent termination opening

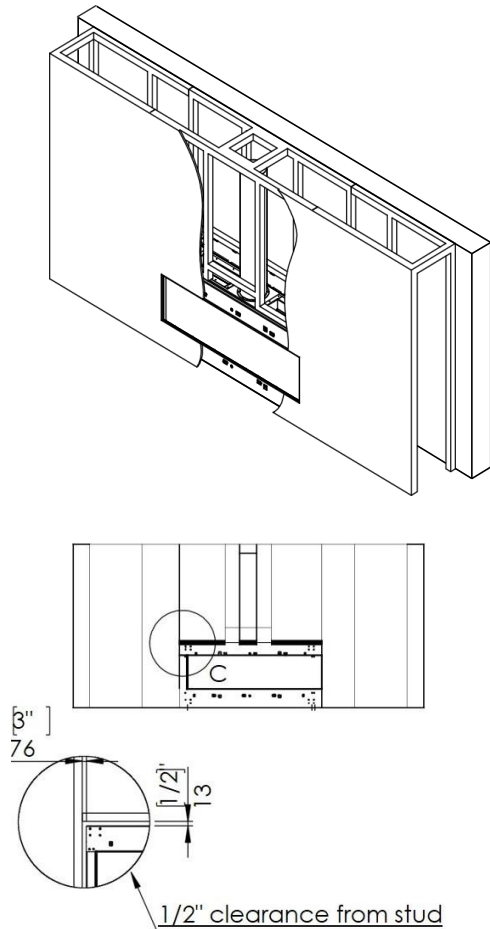


Vertical Termination

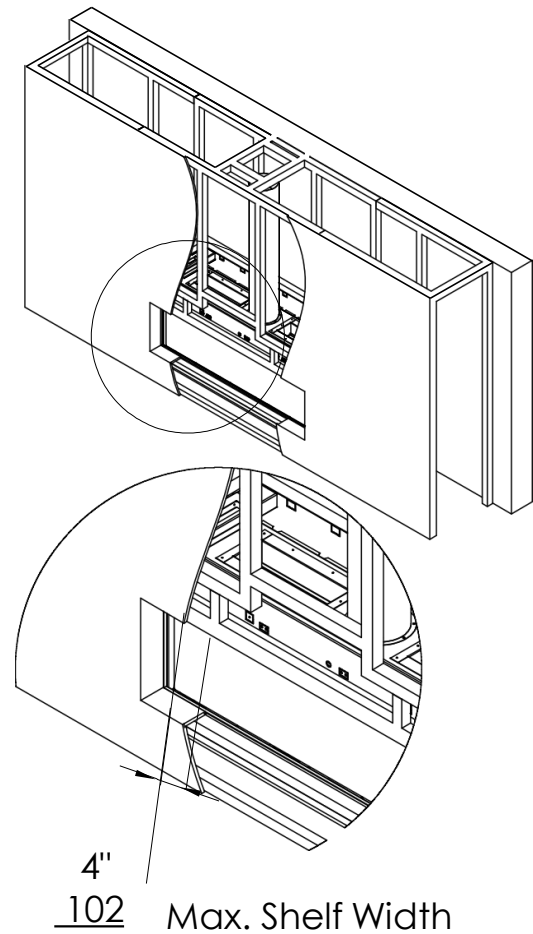
For 5 x 8 vent size create 10" x 10" vent termination opening



Flat Installation Example



L Shape Installation Example



Heat Release and Air Intakes

The following sizes MUST be maintained for the upper heat release:

For fireplaces sized 80" & 100" – open vent area must be at least **200 square inches**.

For fireplaces sized 60" & 70" – open vent area must be at least **140 square inches**.

For fireplace sized 50" and below – open vent area must be at least **100 square inches**.

The following sizes MUST be maintained for the lower air intake:

For fireplaces sized 80" & 100" – open vent area must be at least **100 square inches**.

For fireplaces sized 60" & 70" - open vent area must be at least **70 square inches**.

For fireplaces sized 50" and below - open vent area must be at least **50 square inches**.

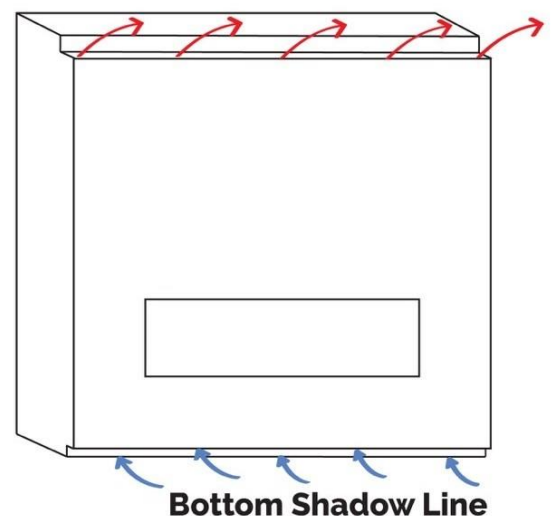
For See Through and Room Definer fireplaces, the air intake requirements are **double**.

NOTE: Openings above for Heat Release and Air Intake are measured for open air space. BE SURE TO CALCULATE FOR RESTRICTIONS IN GRATING.

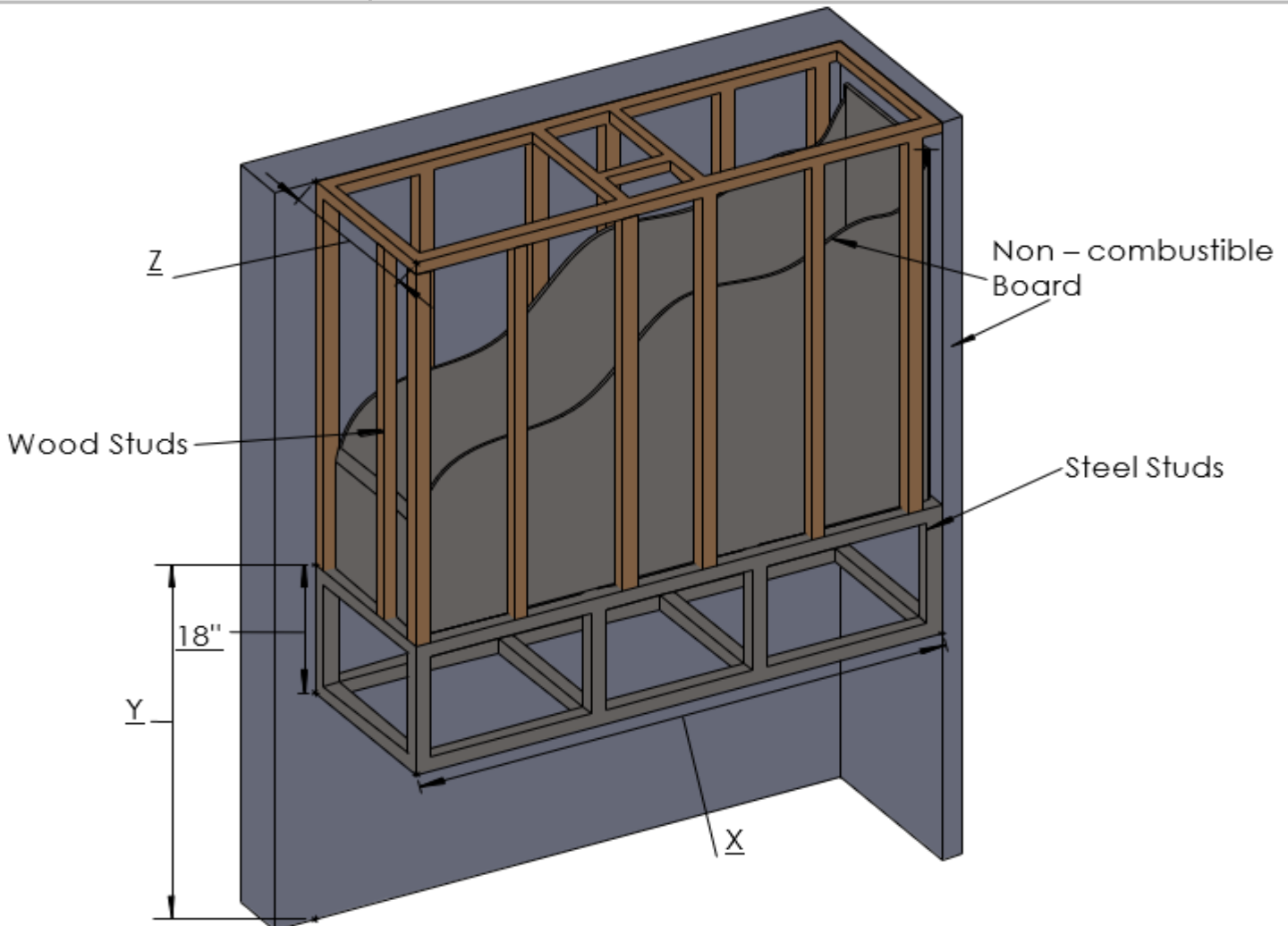
NOTE: On all See Through and Room Definer units the air intake must be doubled

Air Intakes required for Double Glass or Optional Blower kits ONLY.

Top Shadow Line



Wood Framing Dimensions



NOTE: Dimension 'Y' uses legs at default lowest height 4" below the unit with glass beginning 10" above the floor. Increase leg height and Y dimension for higher viewing window.

		X	Y	Z	
				Flat Installation	Recess Installation (4" Max)
45	Inch	47 ² / ₁₆	50 ⁸ / ₁₆	20 ⁹ / ₁₆	24 ⁹ / ₁₆
	mm	1183	1283	522	624
50	Inch	53 ¹³ / ₁₆	50 ⁸ / ₁₆	20 ⁹ / ₁₆	24 ⁹ / ₁₆
	mm	1367	1283	522	624
60	Inch	63 ¹⁰ / ₁₆	50 ⁸ / ₁₆	20 ⁹ / ₁₆	24 ⁹ / ₁₆
	mm	1616	1283	522	624
70	Inch	73 ⁸ / ₁₆	50 ⁸ / ₁₆	20 ⁹ / ₁₆	24 ⁹ / ₁₆
	mm	1867	1283	522	624
80	Inch	86 ¹ / ₁₆	50 ⁸ / ₁₆	20 ⁹ / ₁₆	24 ⁹ / ₁₆
	mm	2186	1283	522	624
100	Inch	103	50 ⁸ / ₁₆	20 ⁹ / ₁₆	24 ⁹ / ₁₆
	mm	2616	1283	522	624