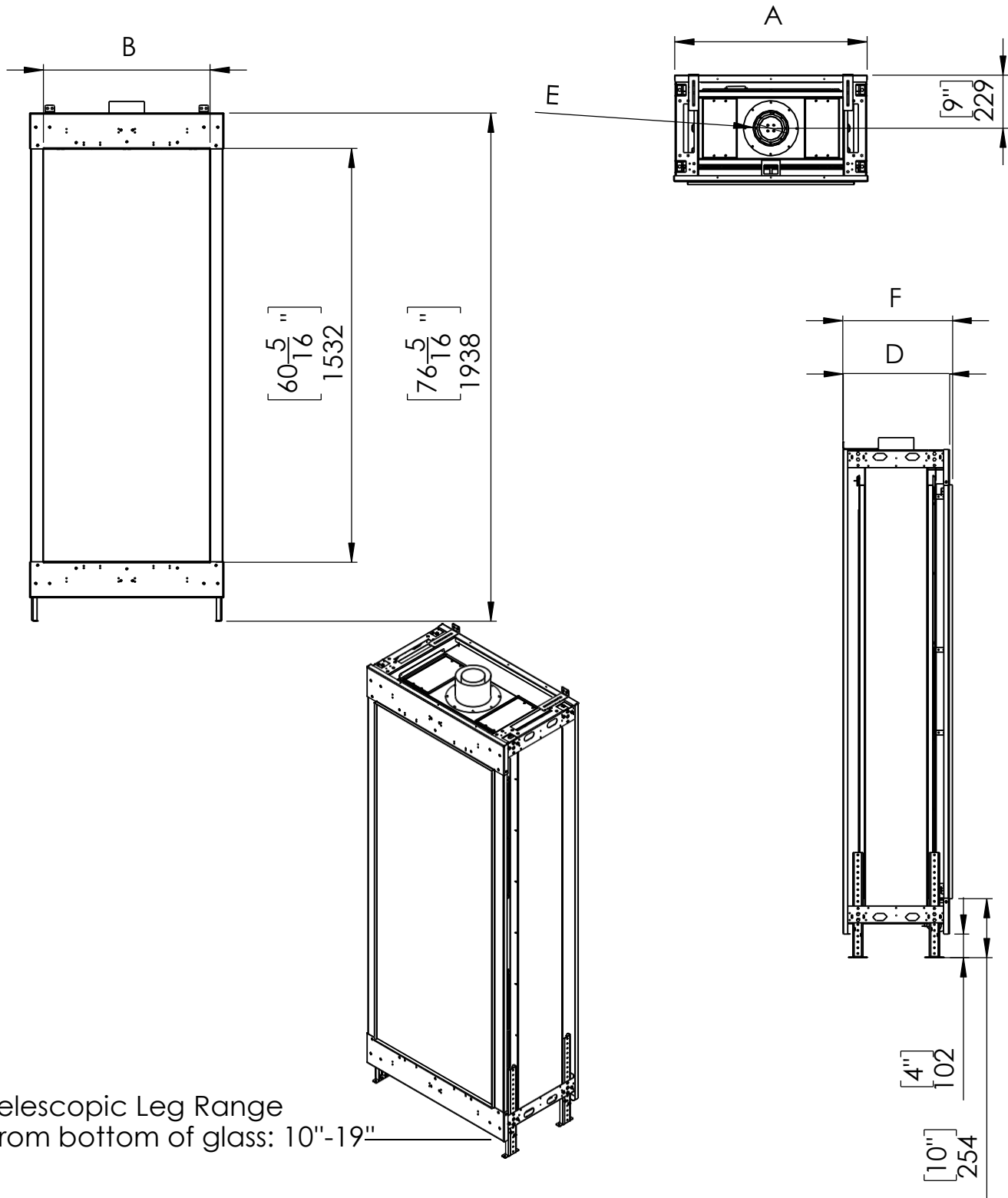




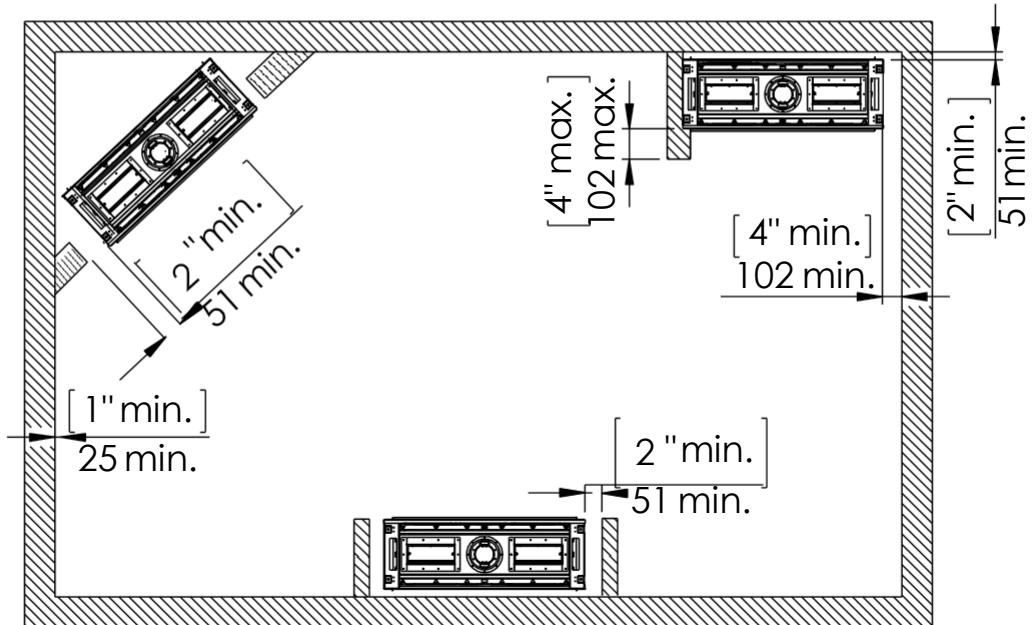
Flare Passage Front Metal Frame

Fireplace Dimensions



Model	A-Inch	B-Inch	F-Inch	D-Inch	E-Inch
Passage	32 ¹⁰ / ₁₆	28 ⁵ / ₁₆	18 ⁹ / ₁₆	18 ¹ / ₁₆	5"X8"

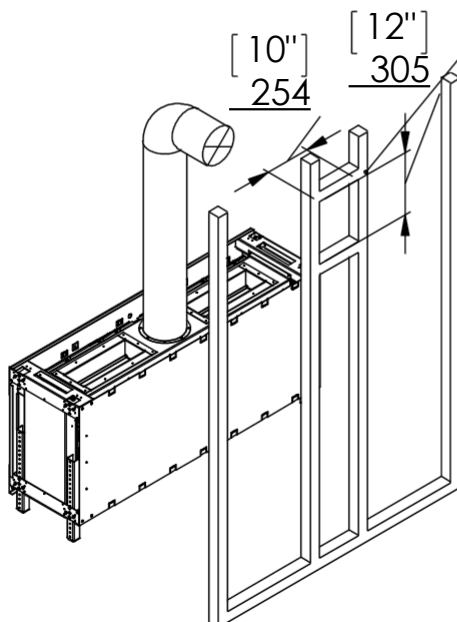
Clearances below are to non-combustible materials.



Chimney Installation

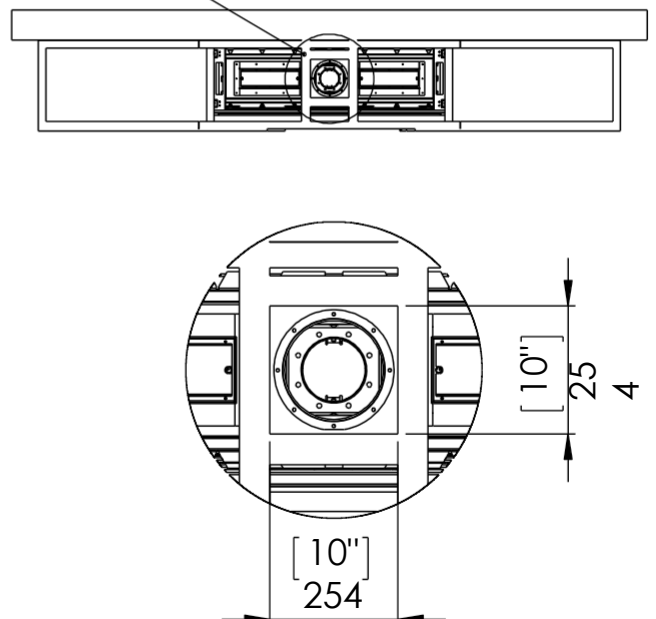
Horizontal Termination

For 5 x 8 vent size create 10" x 12" vent termination opening

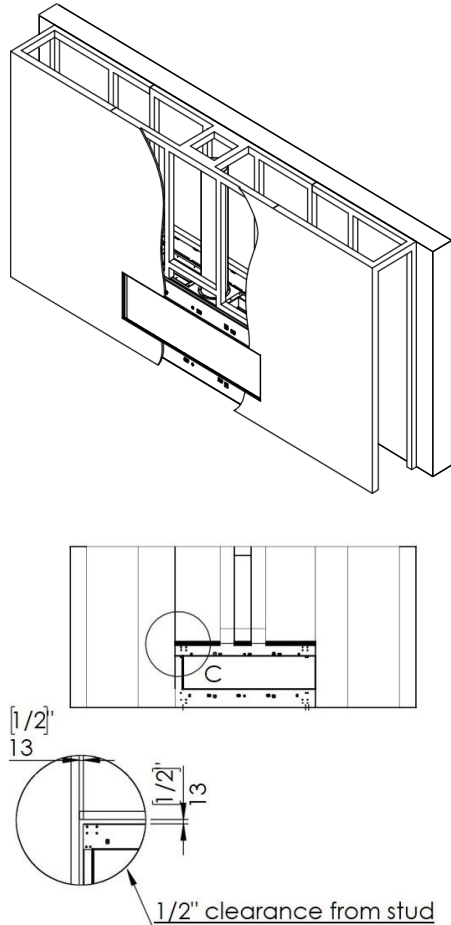


Vertical Termination

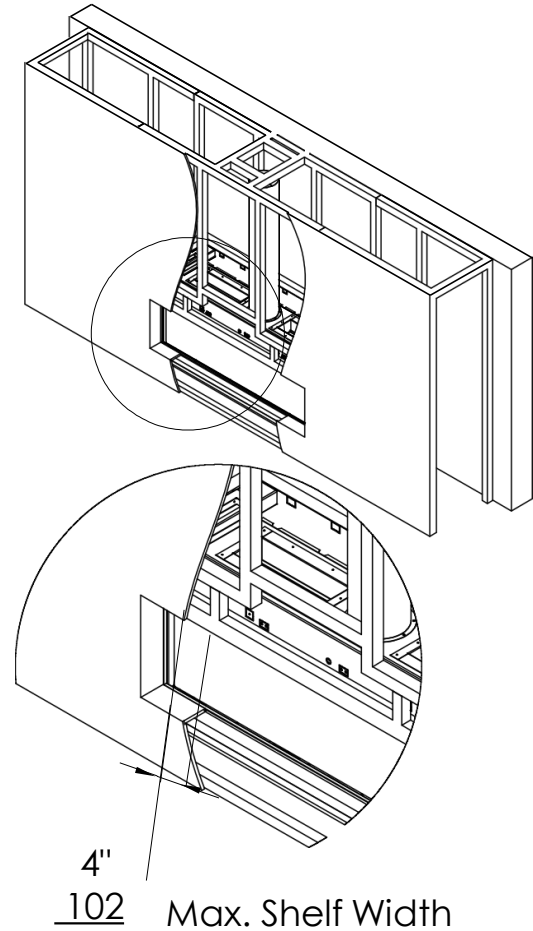
For 5 x 8 vent size create 10" x 10" vent termination opening



Flat Installation Example



L Shape Installation Example



Heat Release and Air Intakes

The following sizes MUST be maintained for the upper heat release:

For fireplaces sized 80" & 100" – open vent area must be at least **200 square inches**.

For fireplaces sized 60" & 70" – open vent area must be at least **140 square inches**.

For fireplace sized 50" and below – open vent area must be at least **100 square inches**.

The following sizes MUST be maintained for the lower air intake:

For fireplaces sized 80" & 100" – open vent area must be at least **100 square inches**.

For fireplaces sized 60" & 70" - open vent area must be at least **70 square inches**.

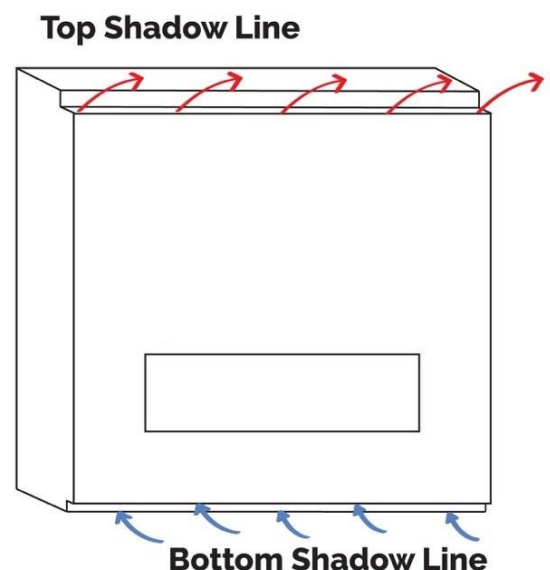
For fireplaces sized 50" and below - open vent area must be at least **50 square inches**.

For See Through and Room Definer fireplaces, the air intake requirements are **double**.

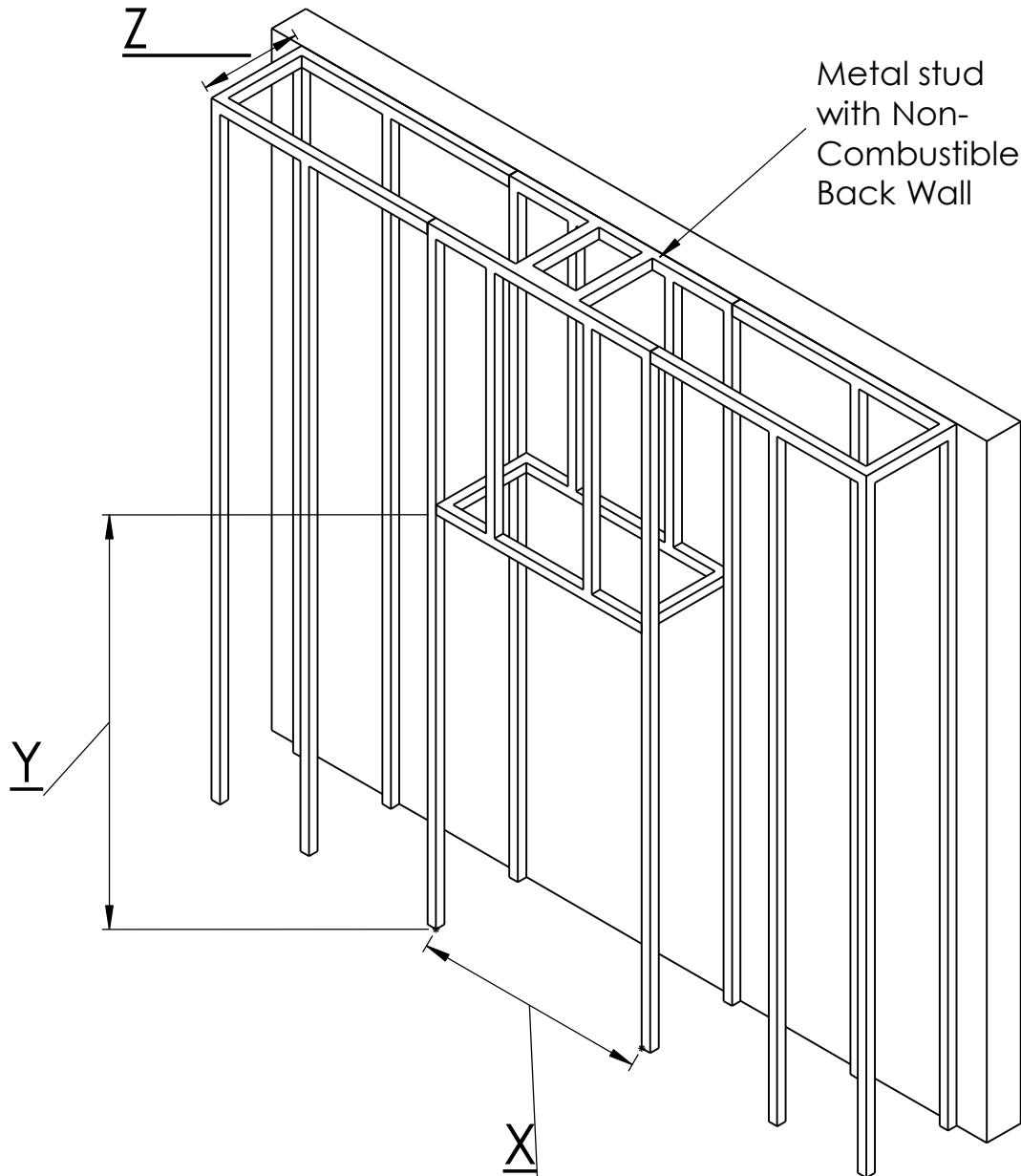
NOTE: Openings above for Heat Release and Air Intake are measured for open air space. BE SURE TO CALCULATE FOR RESTRICTIONS IN GRATING.

NOTE: On all See Through and Room Definer units the air intake must be doubled

Air Intakes required for Double Glass or Optional Blower kits ONLY.



Metal Framing Dimensions



NOTE: Dimension 'Y' uses legs at default lowest height 4" below the unit with glass beginning 10" above the floor. Increase leg height and Y dimension for higher viewing window.

		X	Y	Z	
				Flat Installation	Recess Installation (4" Max)
Passage	Inch	33 ¹⁰ / ₁₆	76 ¹³ / ₁₆	20 ¹ / ₁₆	24 ¹ / ₁₆
	mm	844	1951	510	611