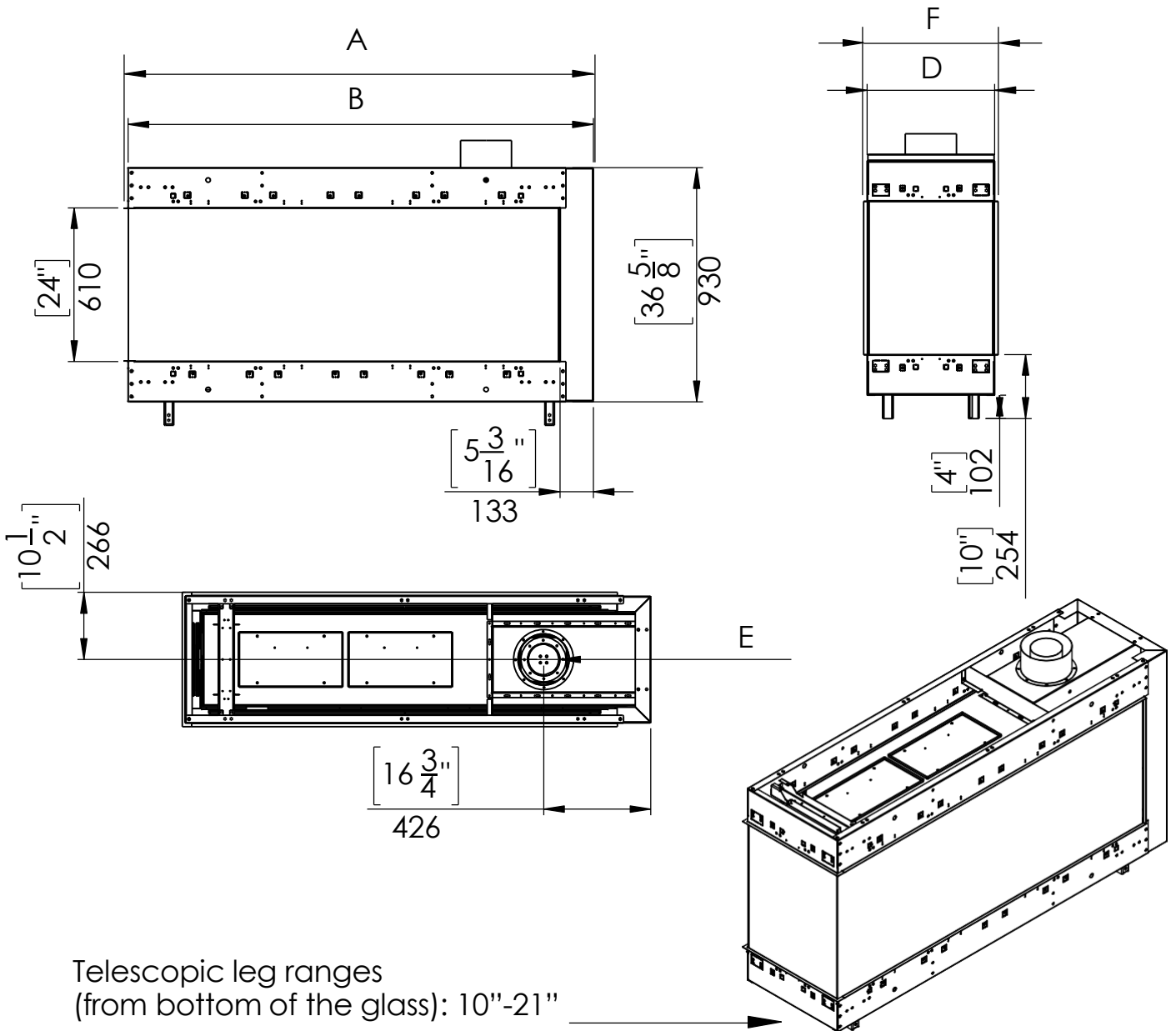
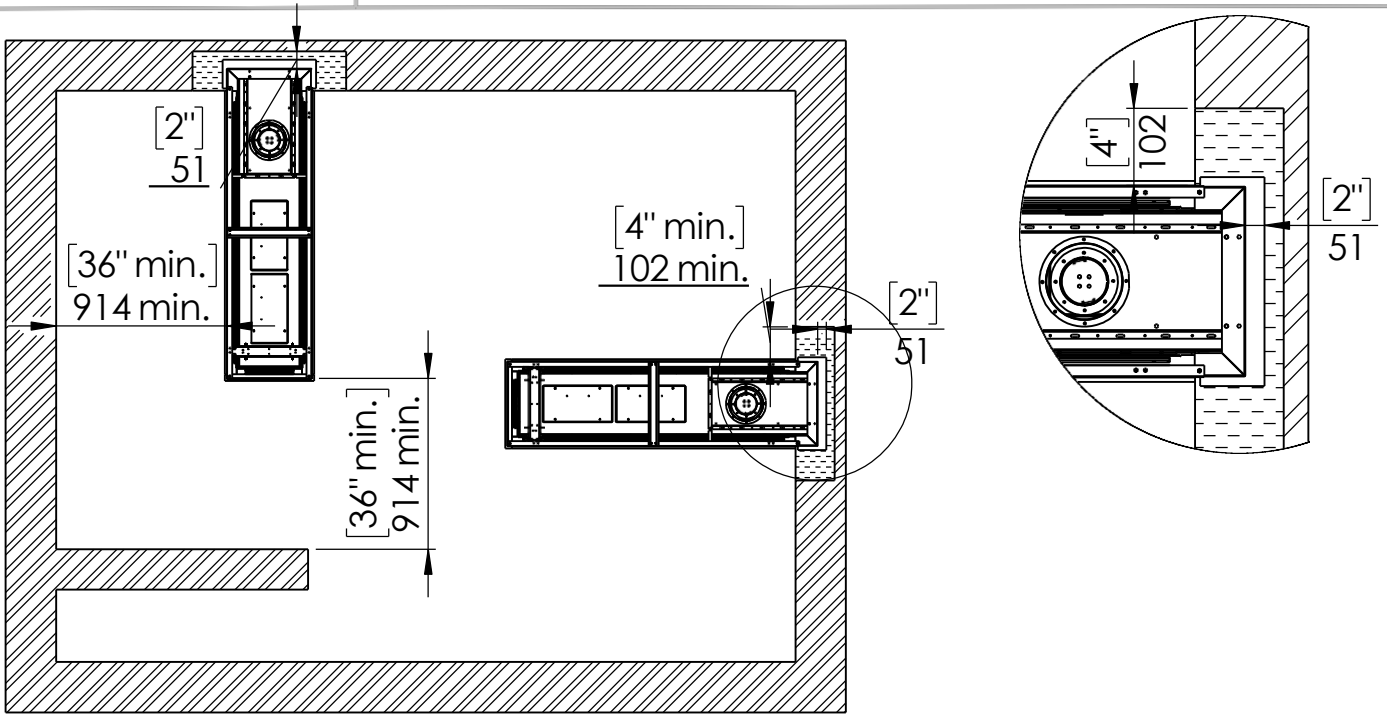


## Fireplace Dimensions



Model	45	50	60	70	80	100
A- Inch	46 15/16	53 8/16	63 6/16	73 4/16	86	102 12/16
B- Inch	46 5/16	53	62 13/16	72 11/16	85 7/16	102 3/16
F- Inch	20 15/16	20 15/16	20 15/16	20 15/16	20 15/16	20 15/16
D- Inch	19 15/16	19 15/16	19 15/16	19 15/16	19 15/16	19 15/16
E- Inch	5x8	5x8	5x8	5x8	5x8	5x8

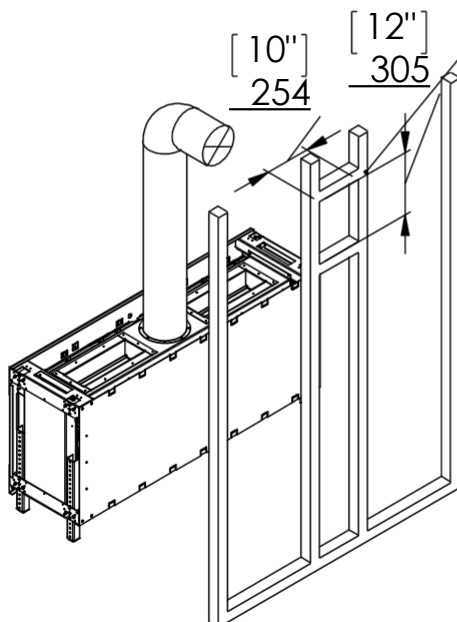


 Combustible Materials  
 Non Combustible Materials

## Chimney Installation

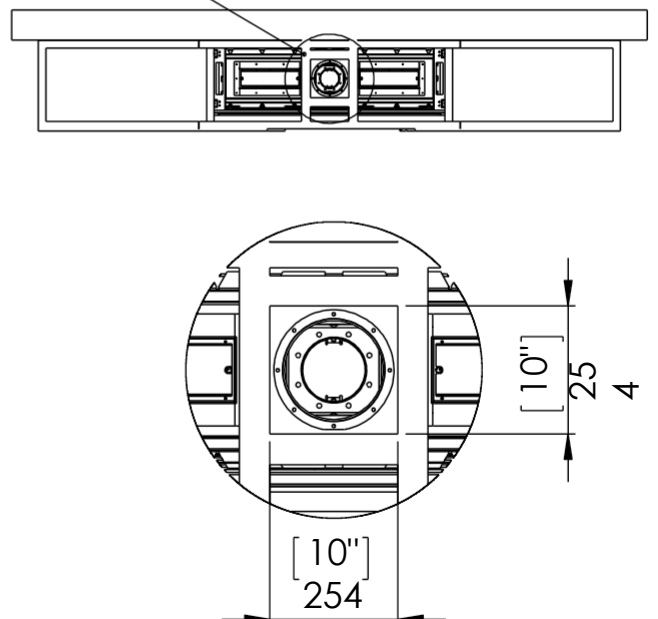
### Horizontal Termination

For 5 x 8 vent size create 10" x 12" vent termination opening

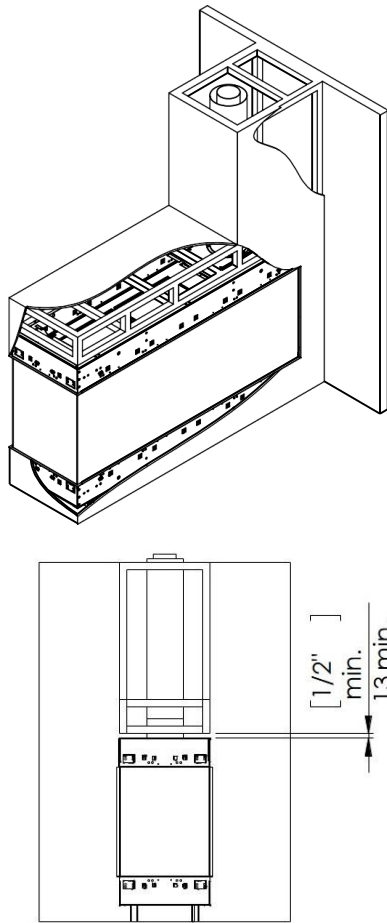


### Vertical Termination

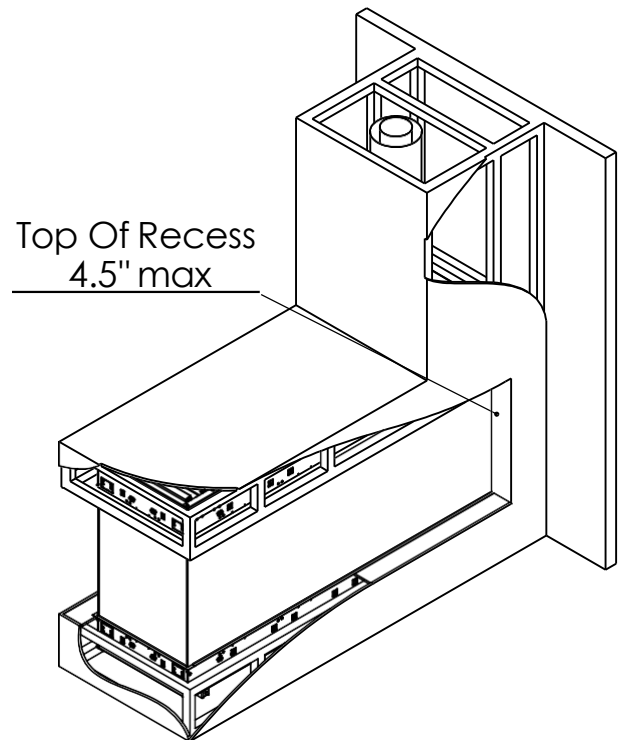
For 5 x 8 vent size create 10" x 10" vent termination opening



## Flat Installation Example



## L Shape Installation Example



## Heat Release and Air Intakes

### The following sizes MUST be maintained for the upper heat release:

For fireplaces sized 80" & 100" – open vent area must be at least **200 square inches**.

For fireplaces sized 60" & 70" – open vent area must be at least **140 square inches**.

For fireplace sized 50" and below – open vent area must be at least **100 square inches**.

### The following sizes MUST be maintained for the lower air intake:

For fireplaces sized 80" & 100" – open vent area must be at least **100 square inches**.

For fireplaces sized 60" & 70" - open vent area must be at least **70 square inches**.

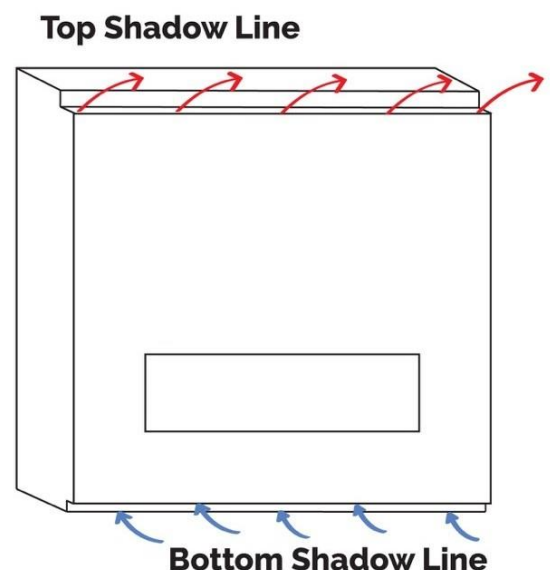
For fireplaces sized 50" and below - open vent area must be at least **50 square inches**.

For See Through and Room Definer fireplaces, the air intake requirements are **double**.

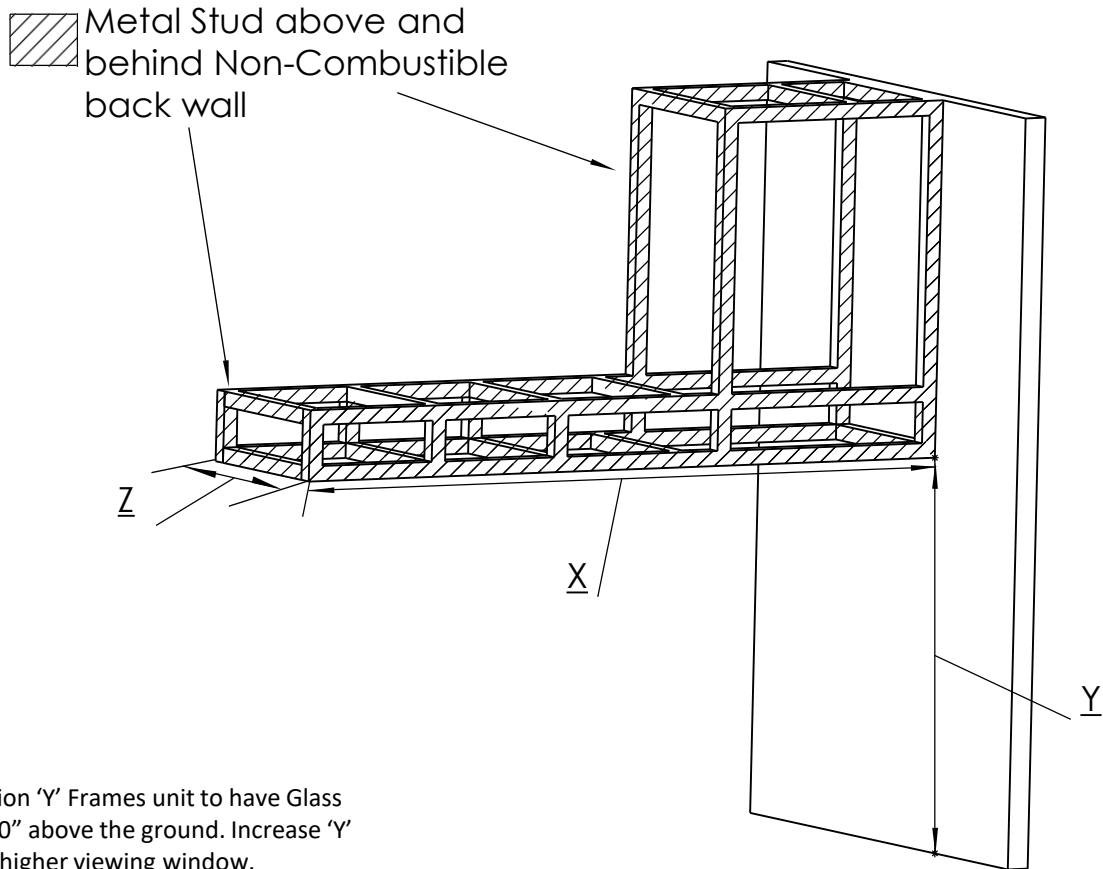
**NOTE: Openings above for Heat Release and Air Intake are measured for open air space. BE SURE TO CALCULATE FOR RESTRICTIONS IN GRATING.**

**NOTE: On all See Through and Room Definer units the air intake must be doubled**

Air Intakes required for Double Glass or Optional Blower kits ONLY.



# Metal Framing Dimensions



		X	Y	Z	
				Flat Installation	Recess Installation ( 4" Max)
45	Inch	48 <sup>5</sup> / <sub>16</sub>	41 <sup>2</sup> / <sub>16</sub>	19 <sup>15</sup> / <sub>16</sub>	27 <sup>15</sup> / <sub>16</sub>
	mm	1227	1045	506	710
50	Inch	55	41 <sup>2</sup> / <sub>16</sub>	19 <sup>15</sup> / <sub>16</sub>	27 <sup>15</sup> / <sub>16</sub>
	mm	1381	1045	506	710
60	Inch	64 <sup>13</sup> / <sub>16</sub>	41 <sup>2</sup> / <sub>16</sub>	19 <sup>15</sup> / <sub>16</sub>	27 <sup>15</sup> / <sub>16</sub>
	mm	1646	1045	506	710
70	Inch	74 <sup>11</sup> / <sub>16</sub>	41 <sup>2</sup> / <sub>16</sub>	19 <sup>15</sup> / <sub>16</sub>	27 <sup>15</sup> / <sub>16</sub>
	mm	1897	1045	506	710
80	Inch	87 <sup>7</sup> / <sub>16</sub>	41 <sup>2</sup> / <sub>16</sub>	19 <sup>15</sup> / <sub>16</sub>	27 <sup>15</sup> / <sub>16</sub>
	mm	2221	1045	506	710
100	Inch	104 <sup>3</sup> / <sub>16</sub>	41 <sup>2</sup> / <sub>16</sub>	19 <sup>15</sup> / <sub>16</sub>	27 <sup>15</sup> / <sub>16</sub>
	mm	2646	1045	506	710