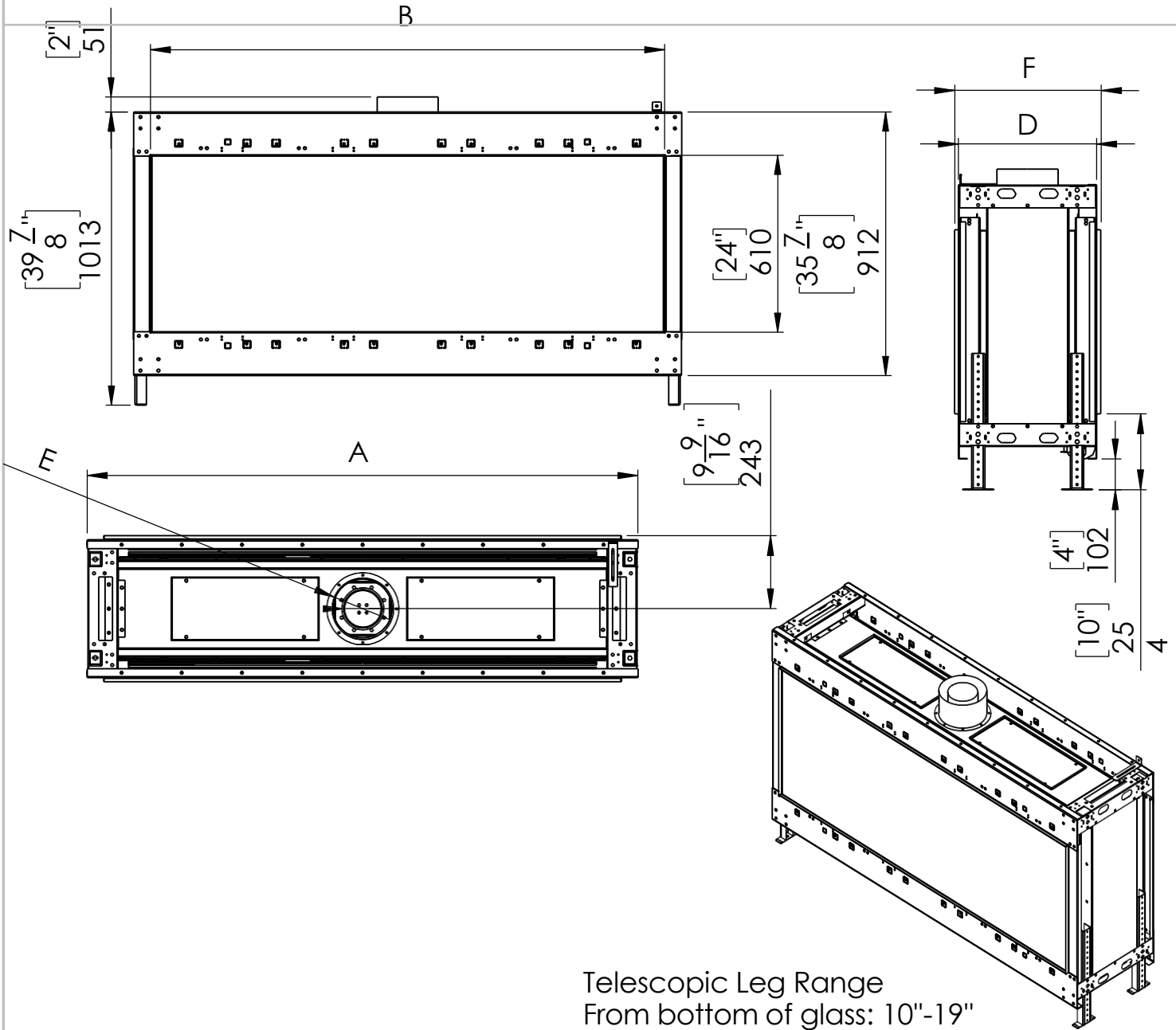
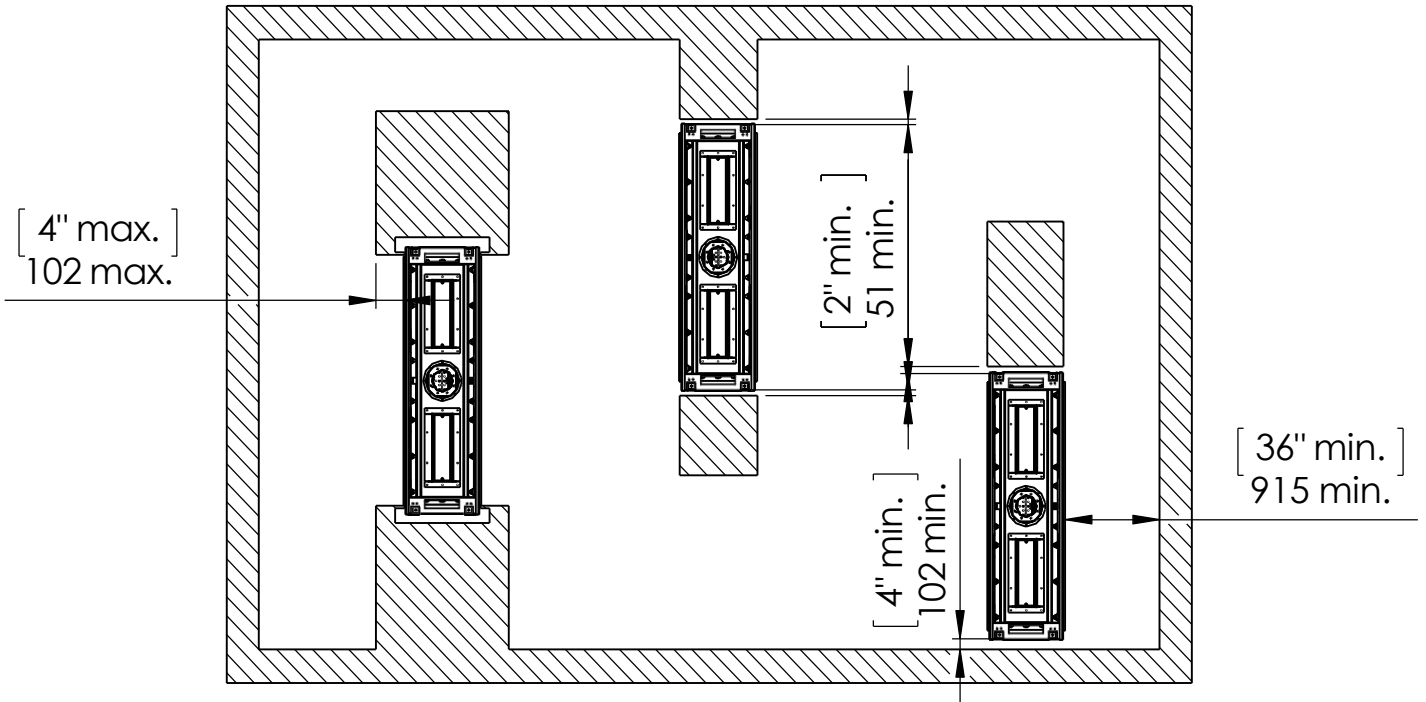


Fireplace Dimensions



Model	30	45	50	60	70	80	100
A- Inch	32 ¹⁰ / ₁₆	45 ⁹ / ₁₆	52 ⁵ / ₁₆	62 ² / ₁₆	71 ¹⁵ / ₁₆	84 ⁹ / ₁₆	101 ⁸ / ₁₆
B- Inch	28 ⁵ / ₁₆	41 ⁵ / ₁₆	48	57 ¹³ / ₁₆	67 ¹¹ / ₁₆	80 ¹ / ₁₆	97 ³ / ₁₆
F- Inch	19 ² / ₁₆	19 ² / ₁₆	19 ² / ₁₆	19 ² / ₁₆	19 ² / ₁₆	19 ² / ₁₆	19 ² / ₁₆
D- Inch	18 ¹ / ₁₆	18 ¹ / ₁₆	18 ¹ / ₁₆	18 ¹ / ₁₆	18 ¹ / ₁₆	18 ¹ / ₁₆	18 ¹ / ₁₆
E- Inch	4x6	4x6	5x8	5x8	5x8	5x8	5x8

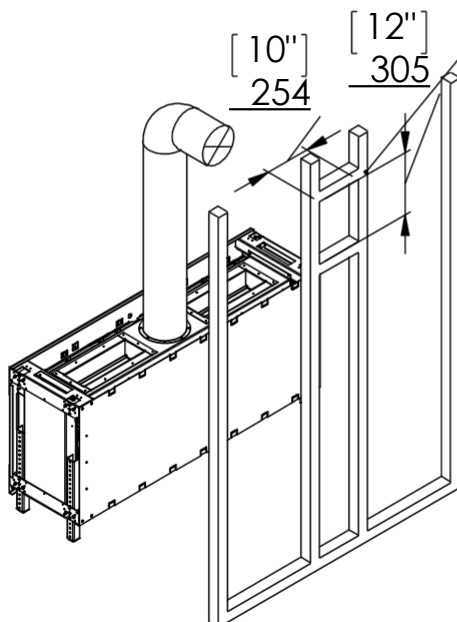
Clearances below are to non-combustible materials.



Chimney Installation

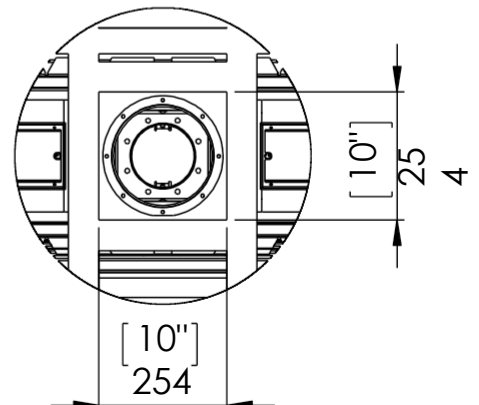
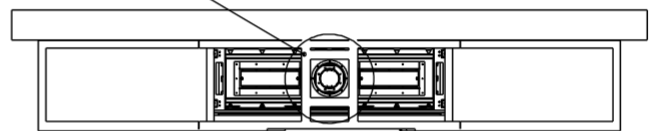
Horizontal Termination

For 5 x 8 vent size create 10" x 12" vent termination opening

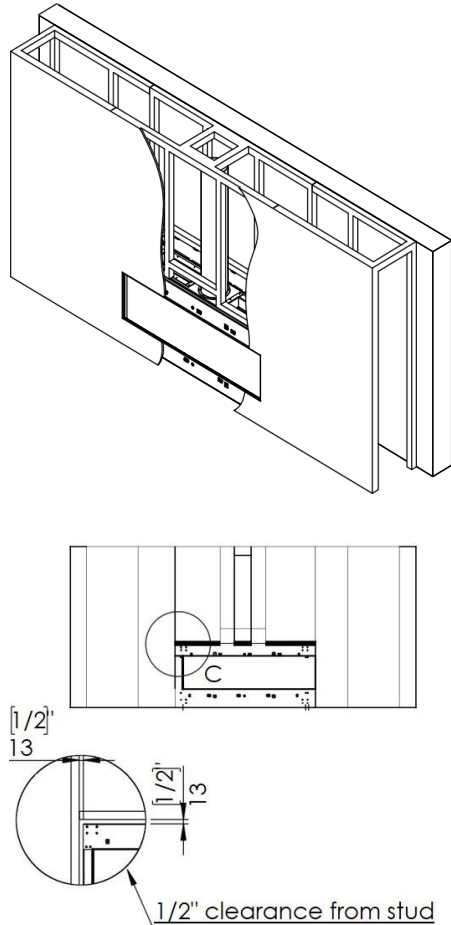


Vertical Termination

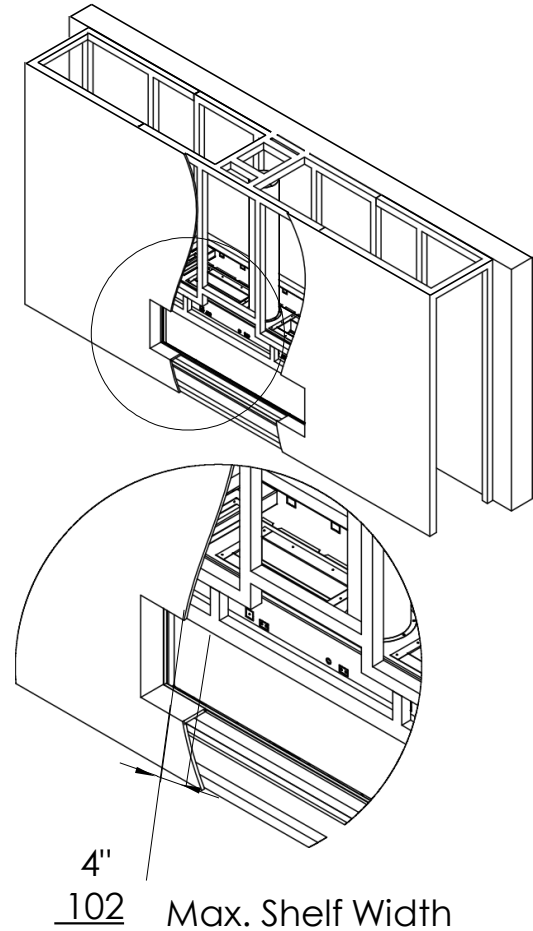
For 5 x 8 vent size create 10" x 10" vent termination opening



Flat Installation Example



L Shape Installation Example



Heat Release and Air Intakes

The following sizes MUST be maintained for the upper heat release:

For fireplaces sized 80" & 100" – open vent area must be at least **200 square inches**.

For fireplaces sized 60" & 70" – open vent area must be at least **140 square inches**.

For fireplace sized 50" and below – open vent area must be at least **100 square inches**.

The following sizes MUST be maintained for the lower air intake:

For fireplaces sized 80" & 100" – open vent area must be at least **100 square inches**.

For fireplaces sized 60" & 70" - open vent area must be at least **70 square inches**.

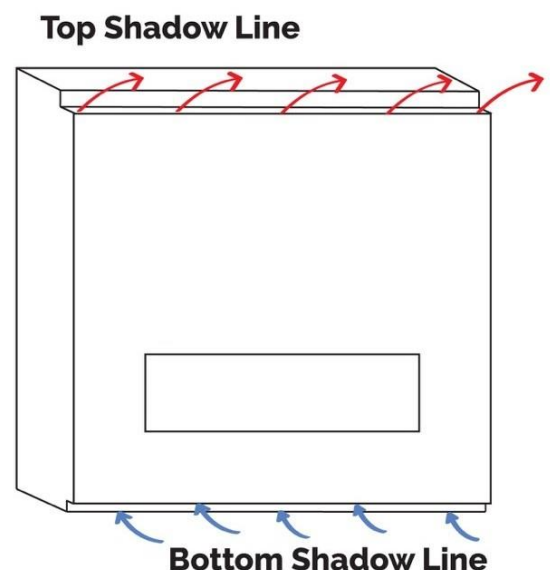
For fireplaces sized 50" and below - open vent area must be at least **50 square inches**.

For See Through and Room Definer fireplaces, the air intake requirements are **double**.

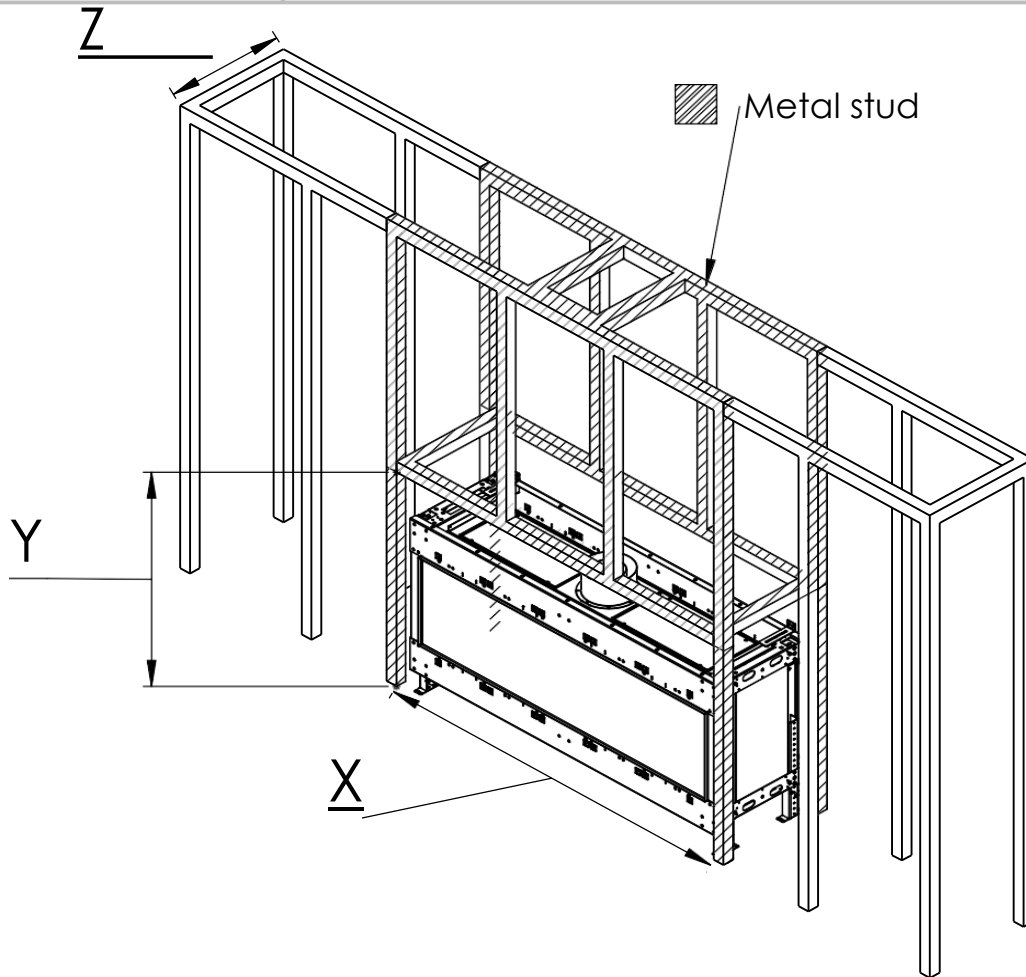
NOTE: Openings above for Heat Release and Air Intake are measured for open air space. BE SURE TO CALCULATE FOR RESTRICTIONS IN GRATING.

NOTE: On all See Through and Room Definer units the air intake must be doubled

Air Intakes required for Double Glass or Optional Blower kits ONLY.



Metal Framing Dimensions



NOTE: Dimension 'Y' uses legs at default lowest height 4" below the unit with glass beginning 10" above the floor. Increase leg height and Y dimension for higher viewing window.

		X	Y	Z	
				Flat Installation	Recess Installation (4" Max)
30	Inch	33 ¹⁰ / ₁₆	40 ⁶ / ₁₆	18 ¹ / ₁₆	26 ¹ / ₁₆
	mm	854	1026	459	662
45	Inch	46 ⁹ / ₁₆	40 ⁶ / ₁₆	18 ¹ / ₁₆	26 ¹ / ₁₆
	mm	1169	1026	459	662
50	Inch	53 ⁵ / ₁₆	40 ⁶ / ₁₆	18 ¹ / ₁₆	26 ¹ / ₁₆
	mm	1354	1026	459	662
60	Inch	63 ² / ₁₆	40 ⁶ / ₁₆	18 ¹ / ₁₆	26 ¹ / ₁₆
	mm	1603	1026	459	662
70	Inch	72 ¹⁵ / ₁₆	40 ⁶ / ₁₆	18 ¹ / ₁₆	26 ¹ / ₁₆
	mm	1853	1026	459	662
80	Inch	85 ⁹ / ₁₆	40 ⁶ / ₁₆	18 ¹ / ₁₆	26 ¹ / ₁₆
	mm	2173	1026	459	662
100	Inch	102 ⁸ / ₁₆	40 ⁶ / ₁₆	18 ¹ / ₁₆	26 ¹ / ₁₆
	mm	2604	1026	459	662