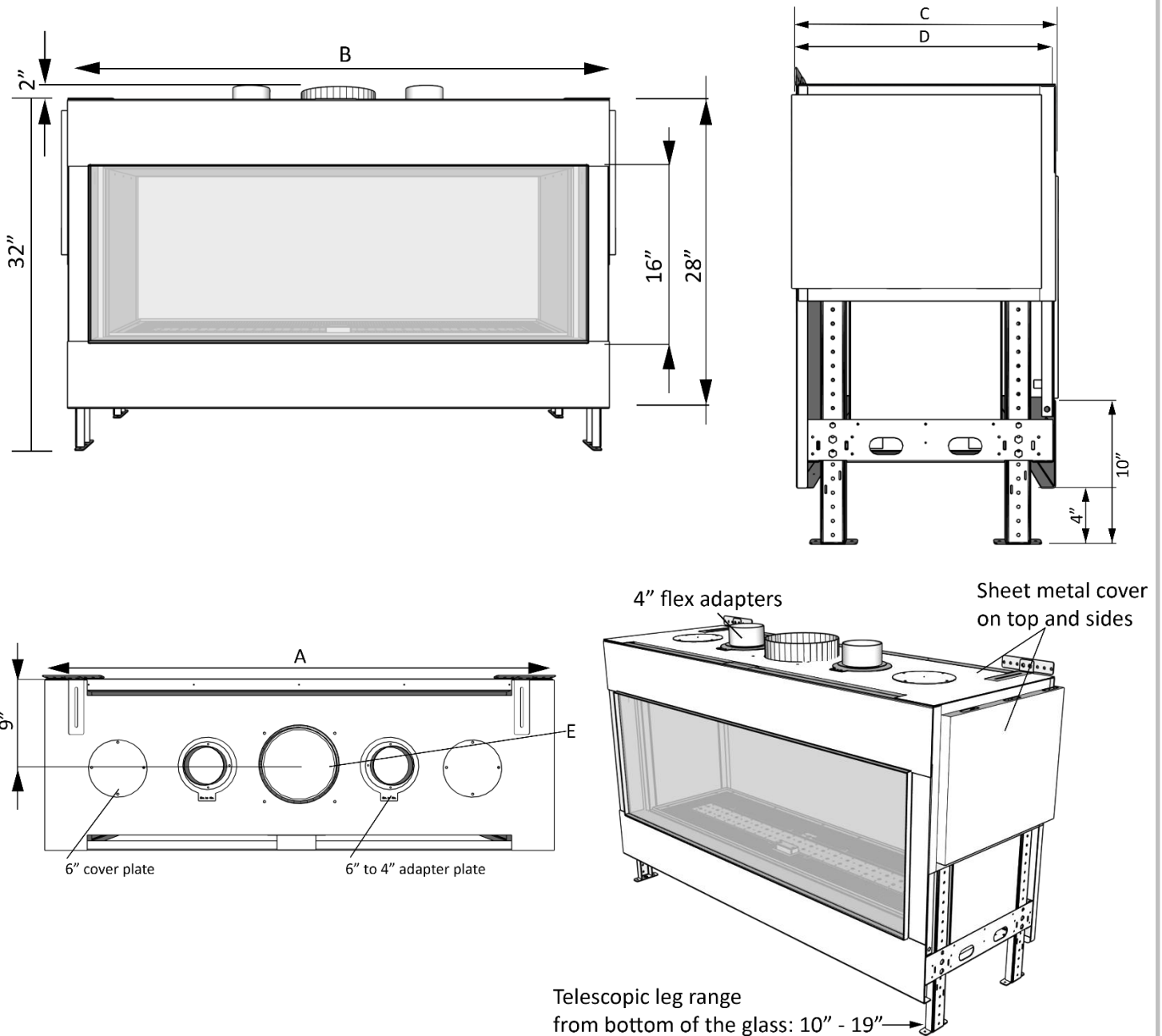
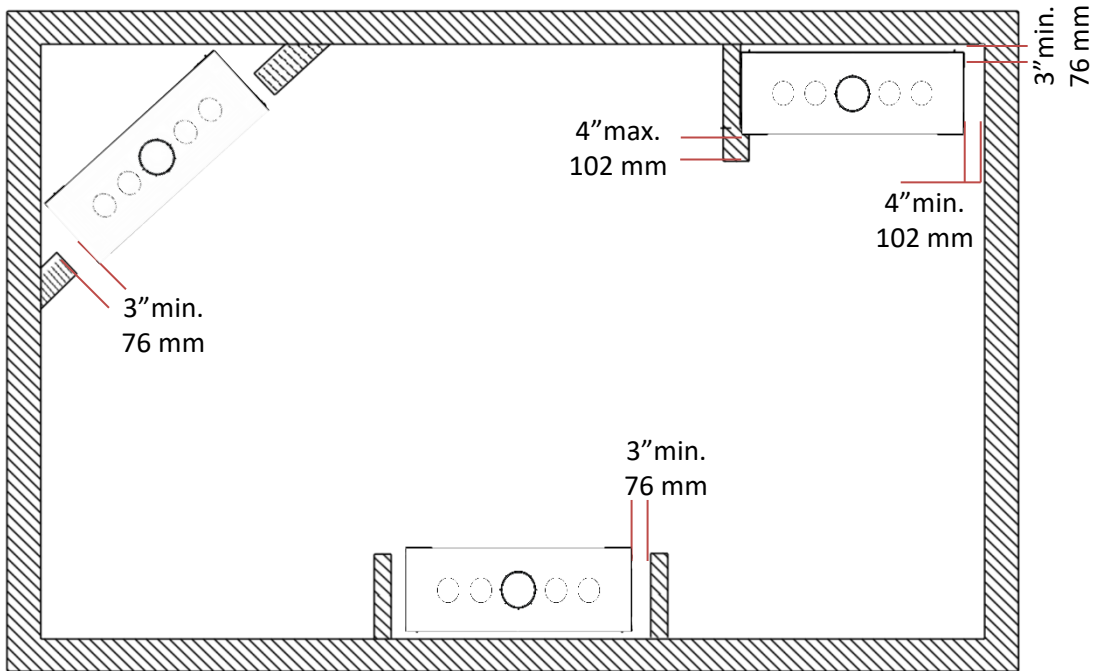


### Fireplace Dimensions



Model		30	45	50	60	70	80	100
A	IN	32 10/16	45 9/16	52 5/16	62 2/16	72 3/16	84 9/16	101 8/16
	MM	828	1157	1328	1577	1833	2147	2578
B	IN	28 4/16	41 4/16	47 15/16	57 13/16	67 10 /16	80 4/16	97 3/16
	MM	717	1047	1217	1468	1717	2038	2468
C	IN	18 9/16	18 9/16	18 9/16	18 9/16	18 9/16	18 9/16	18 9/16
	MM	471	471	471	471	471	471	471
D	IN	18 1/16	18 1/16	18 1/16	18 1/16	18 1/16	18 1/16	18 1/16
	MM	458	458	458	458	458	458	458
E	IN	4x6	4x6	5x8	5x8	5x8	5x8	5x8
	MM	101x152	101x152	127x203	127x203	127x203	127x203	127x203

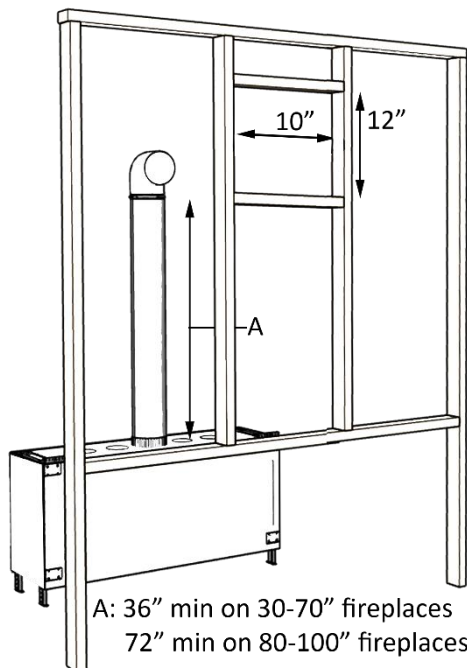
Clearances below are to combustible materials.



## Chimney Installation

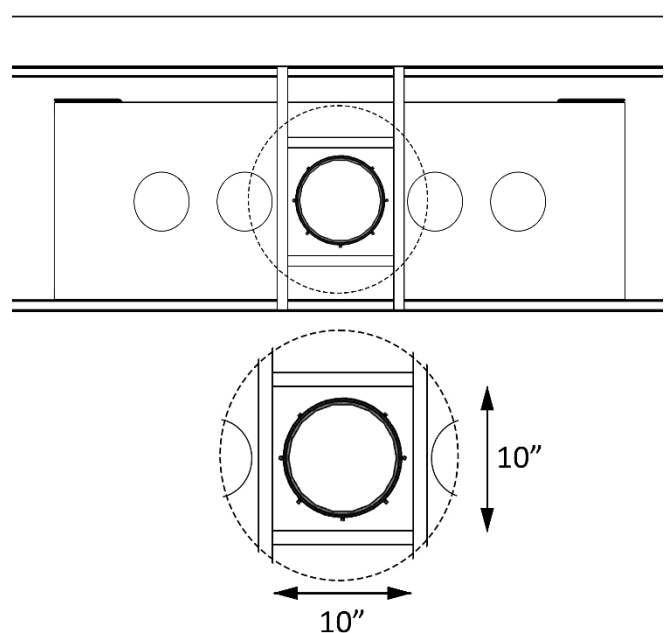
### Horizontal Termination

For 5x8 vent pipe termination create a 10"x12" opening.

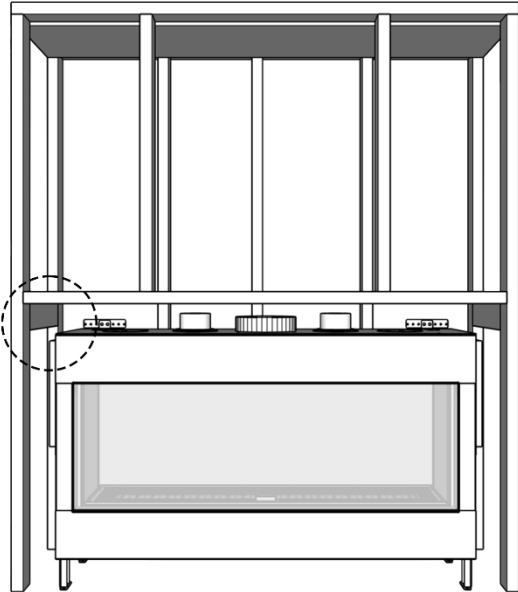


### Vertical Termination

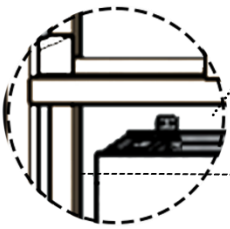
For 5x8 vent pipe termination create a 10"x10" opening.



### Flat Installation

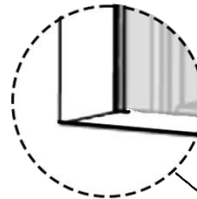
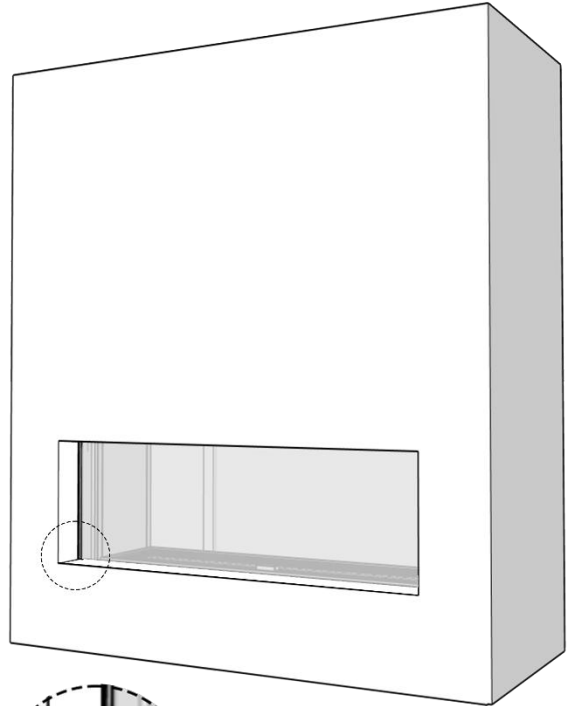


4" clearance to uncovered wood framing above the fireplace.

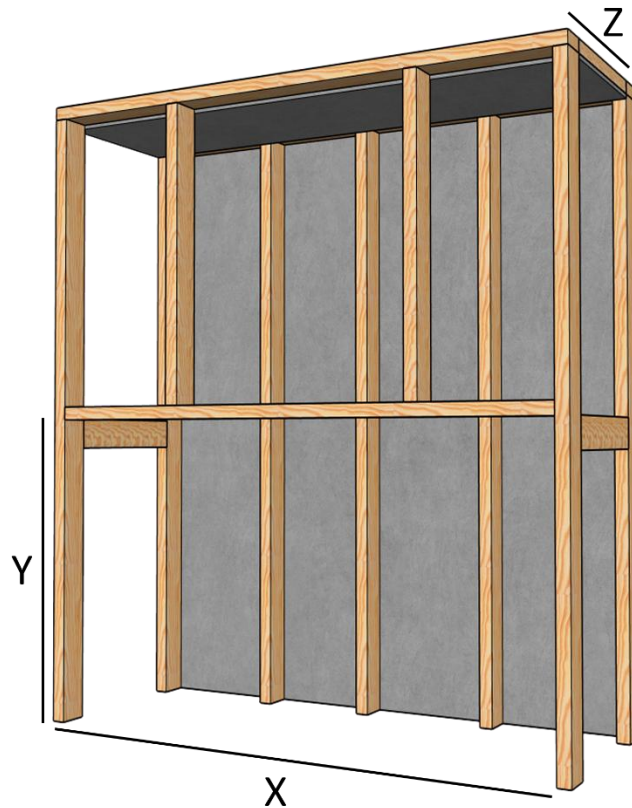


3" clearance to uncovered wood framing on sides of the fireplace.

### Recessed Installation



0 - 4" recommended overhang  
8" max. May be combustible material.



**NOTE:** Dimension “Y” assumes the fireplace legs are set to the default height of 4”, placing the glass opening at 10” above the floor. This “Y” dimension can change based on where your client wants their viewing window.

\*All framing and finishing must be secured to your projects back wall, ceiling or floor and must never bear weight on the fireplace in any circumstance. For more information reference the [Installation Manual](#).

Stud to Stud Framing Around The Fireplace					
Model		X	Y	Z	
				Flat Installation	Recess Installation (4")
30	IN	38 10/16	36	21 1/16	25 1/16
	MM	981	914	534	636
45	IN	51 9/16	36	21 1/16	25 1/16
	MM	1294	914	534	636
50	IN	58 5/16	36	21 1/16	25 1/16
	MM	1481	914	534	636
60	IN	68 2/16	36	21 1/16	25 1/16
	MM	1730	914	534	636
70	IN	78 3/16	36	21 1/16	25 1/16
	MM	1985	914	534	636
80	IN	90 9/16	36	21 1/16	25 1/16
	MM	2300	914	534	636
100	IN	107 8/16	36	21 1/16	25 1/16
	MM	2731	914	534	636

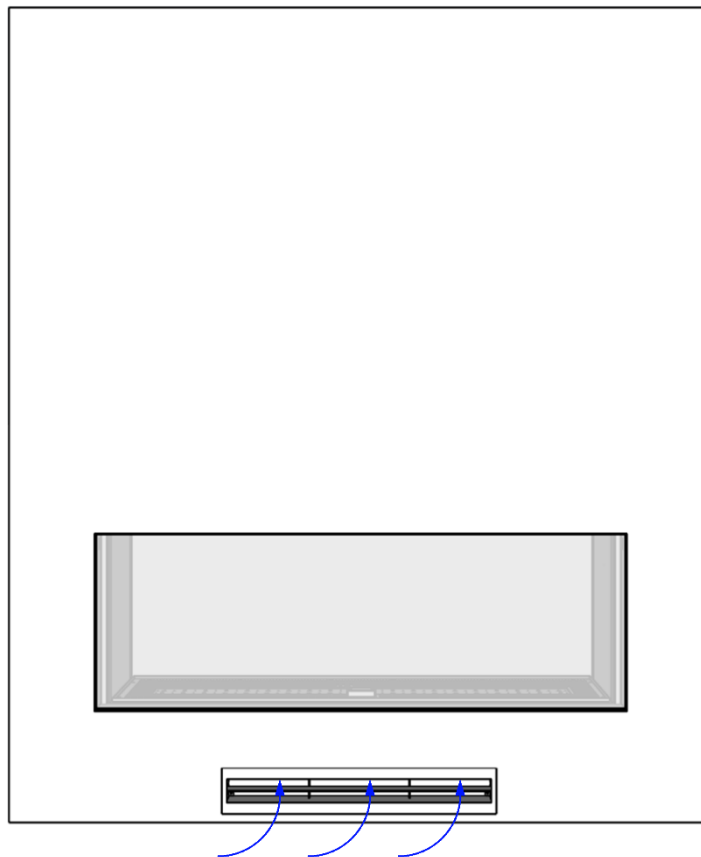
### Air Intake

Air Intake Louvers			
Flare Model	Part Name	Description	SKU
Flare 30	LUV-50	50 SQ" Louver	<a href="#">LUV50</a>
Flare 45			
Flare 50			
Flare 60	LUV-70	70 SQ" Louver	<a href="#">LUV70</a>
Flare 70			
Flare 80	LUV-100	100 SQ" Louver	<a href="#">LUV100</a>
Flare 100			

*\*Air intakes are required on Blower Kit and Double Glass equipped fireplaces only.*

*\*\*Double the intake on see through and room definers, balancing size and positioning on both long sides.*

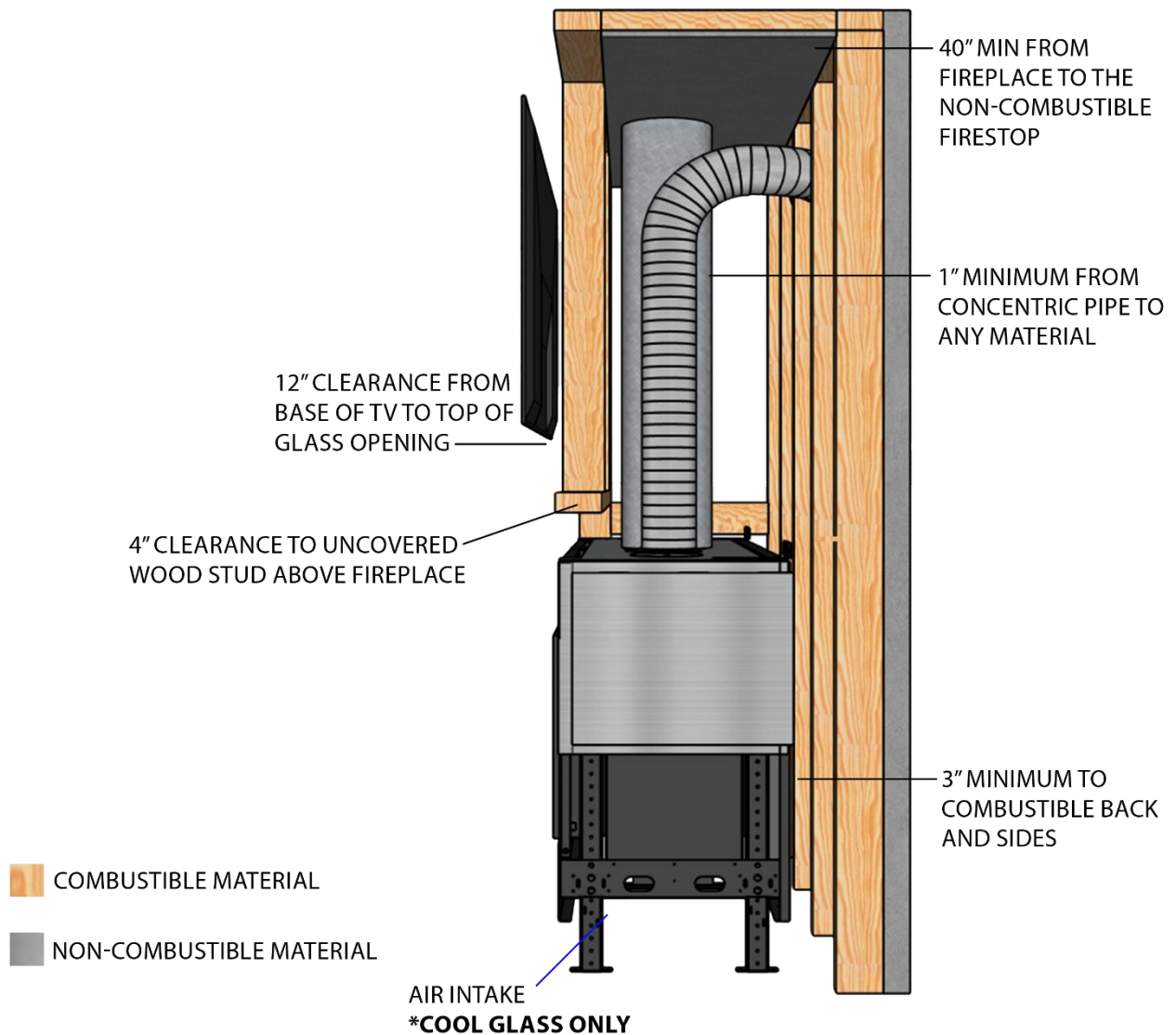
*\*\*\*Standardized air intake louvers are available, but designing a unique intake is acceptable.*



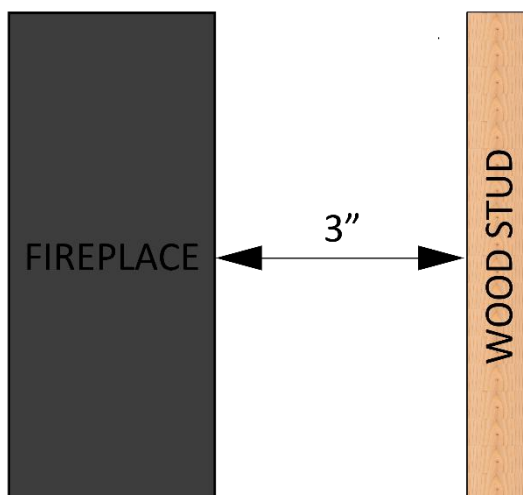
### Active Heat Flex Kit

#### The Passive Heat Flex System Includes:

- Active heat flex fan(s)
- 4" flex pipe adapters
- Active heat flex cover and sides
- 6" cover plates
- 4" – 6" cover plates



### Wood Framing Clearances and Materials Example



\*Any combustible material found within the fireplace cavity must maintain a 3" clearance to the sides and back, and a 4" clearance to the top of the fireplace.