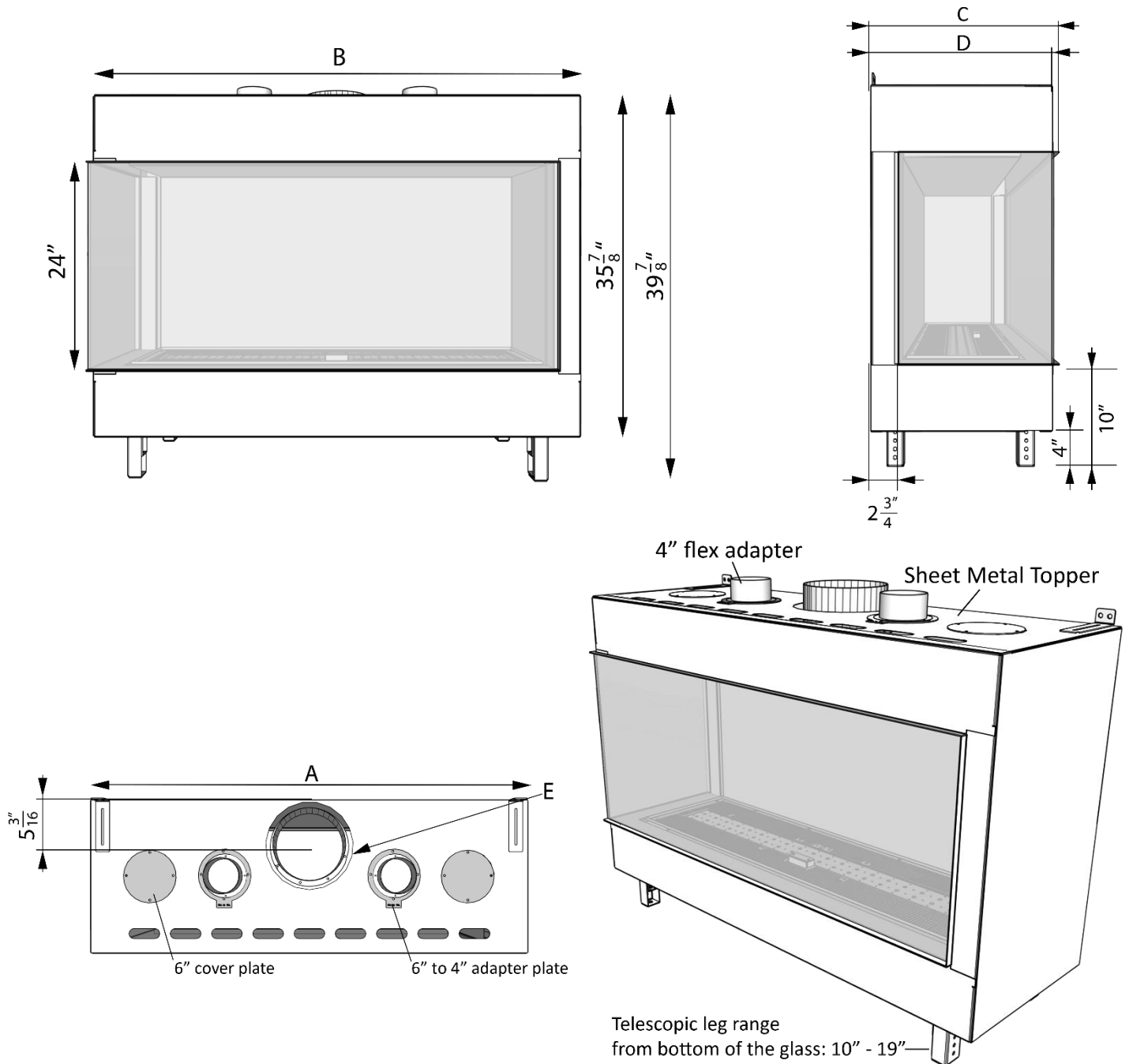
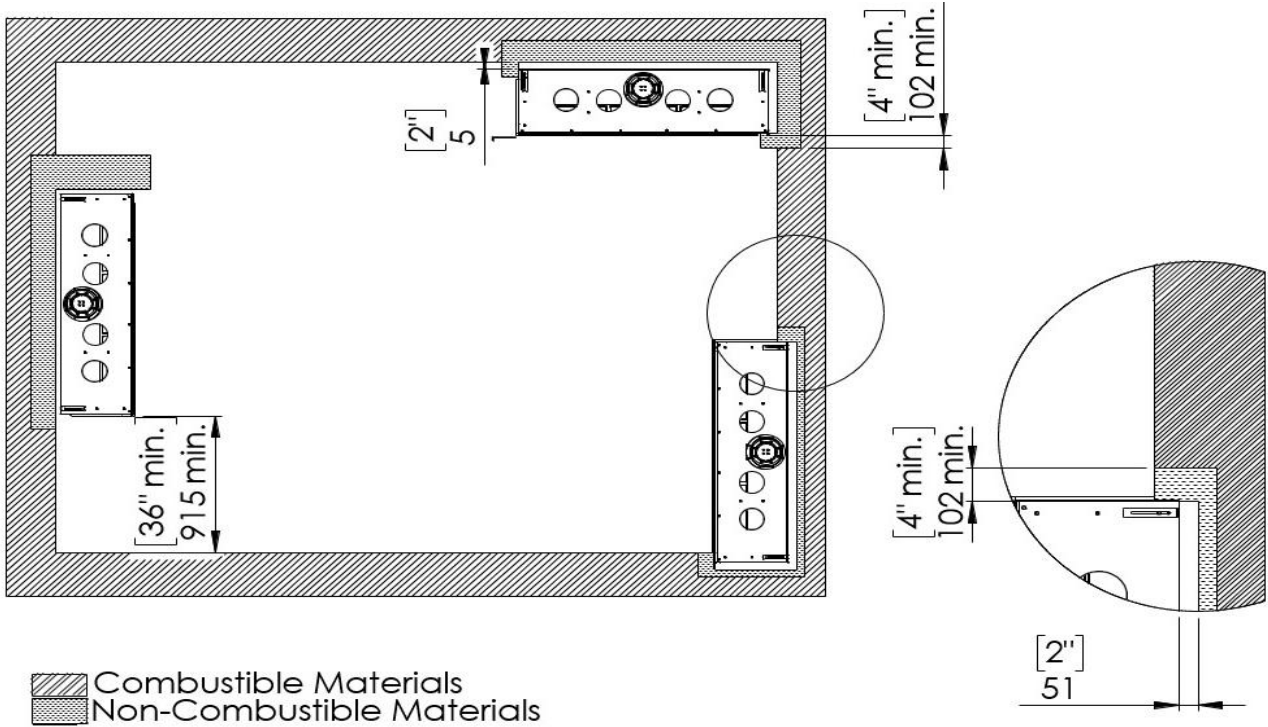


### Fireplace Dimensions



Model		30	45	50	60	70	80	100
A	IN	30 9/16	43 9/16	50 4/16	60 1/16	69 15/16	82 8/16	99 7/16
	MM	776	1106	1276	1525	1776	2095	2525
B	IN	28 2/16	41 1/16	47 13/16	57 10/16	67 8/16	80 1/16	97
	MM	714	1042	1214	1463	1714	2033	2463
C	IN	18 1/16	18 1/16	18 1/16	18 1/16	18 1/16	18 1/16	18 1/16
	MM	458	458	458	458	458	458	458
D	IN	17 9/16	17 9/16	17 9/16	17 9/16	17 9/16	17 9/16	17 9/16
	MM	446	446	446	446	446	446	446
E	IN	4x6	4x6	5x8	5x8	5x8	5x8	5x8
	MM	101x152	101x152	127x203	127x203	127x203	127x203	127x203

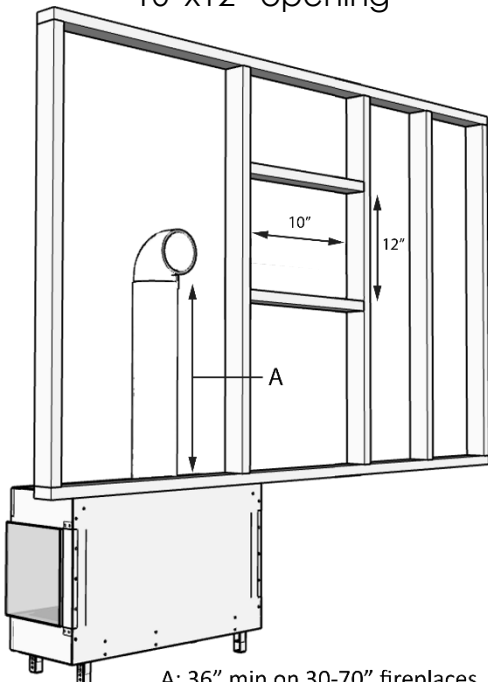
Clearances below are to non-combustible materials.



## Chimney Installation

### Horizontal Termination

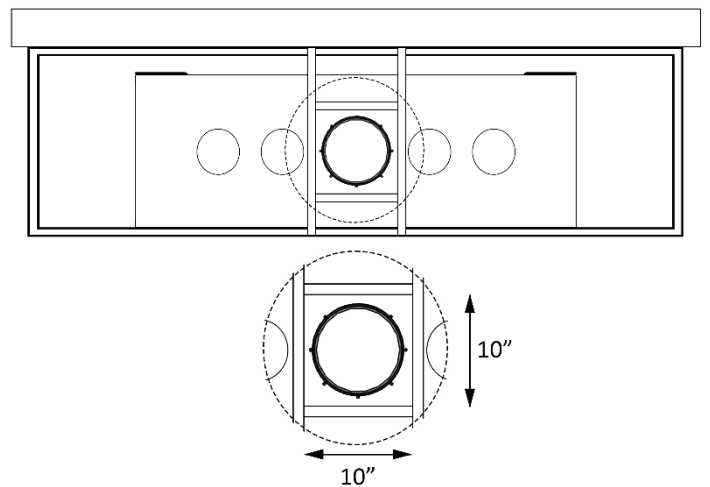
For 5x8 vent pipe termination create a 10"x12" opening



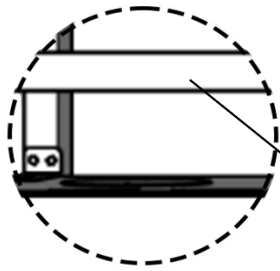
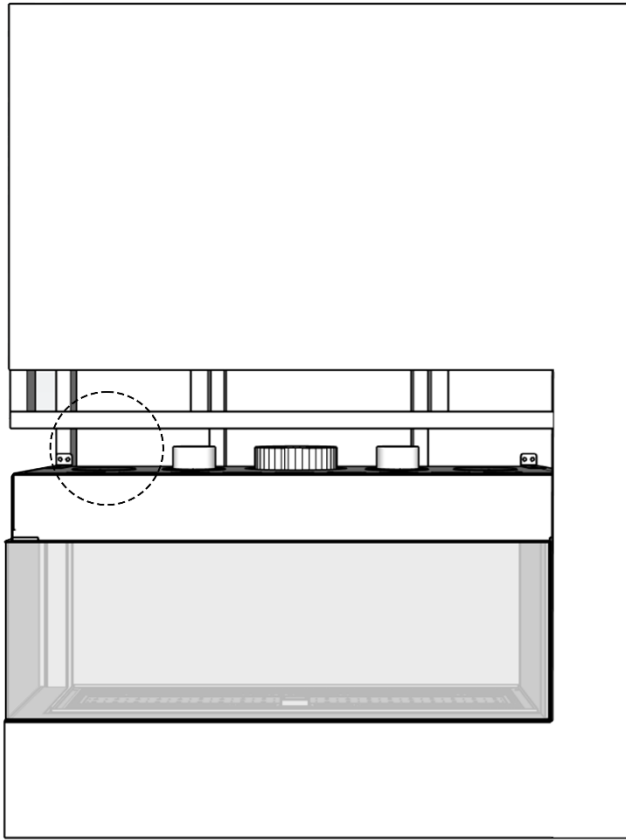
A: 36" min on 30-70" fireplaces  
72" min on 80-100" fireplaces

### Vertical Termination

For 5x8 vent pipe termination create a 10"x10" opening

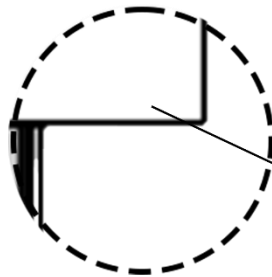
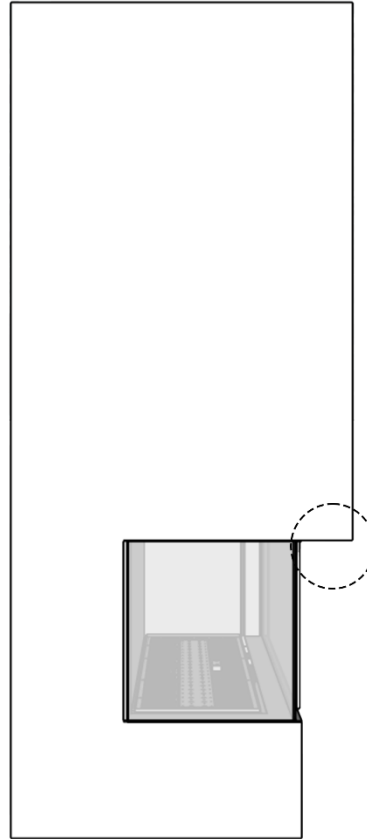


### Flat Installation



4" clearance to uncovered wood framing above the fireplace.

### Recessed Installation



0-4" recommended overhang, 8" max. May be combustible material



**NOTE:** Dimension “Y” assumes the fireplace legs are set to the default height of 4”, placing the glass opening at 10” above the floor. This “Y” dimension can change based on where your client wants their viewing window.

\*All framing and finishing must be secured to your projects back wall, ceiling or floor and must never bear weight on the fireplace in any circumstance. For more information reference the [Installation Manual](#).

Stud to Stud Framing Around The Fireplace

Model		X	Y	Z	
				Flat Installation	Recess Installation (4")
30	IN	33 9/16	43 7/8	20 9/16	24 9/16
	MM	852	1114	522	623
45	IN	46 9/16	43 7/8	20 9/16	24 9/16
	MM	1182	1114	522	623
50	IN	53 4/16	43 7/8	20 9/16	24 9/16
	MM	1352	1114	522	623
60	IN	63 1/16	43 7/8	20 9/16	24 9/16
	MM	1601	1114	522	623
70	IN	72 15/16	43 7/8	20 9/16	24 9/16
	MM	1852	1114	522	623
80	IN	85 8/16	43 7/8	20 9/16	24 9/16
	MM	2171	1114	522	623
100	IN	102 7/16	43 7/8	20 9/16	24 9/16
	MM	2601	1114	522	623

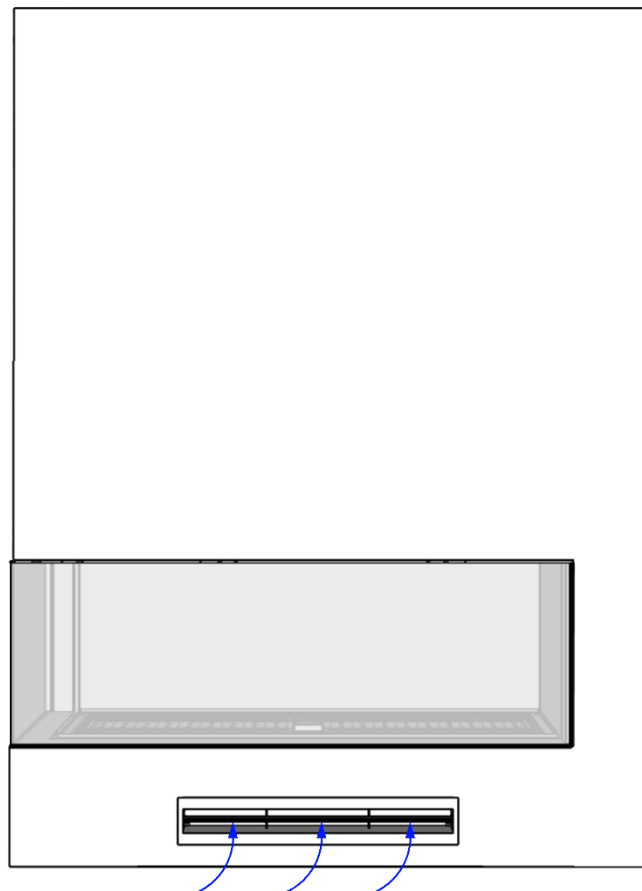
### Air Intake

Air Intake Louvers			
Flare Model	Part Name	Description	SKU
Flare 30	LUV-50	50 SQ" Louver	<a href="#">LUV50</a>
Flare 45			
Flare 50			
Flare 60	LUV-70	70 SQ" Louver	<a href="#">LUV70</a>
Flare 70			
Flare 80	LUV-100	100 SQ" Louver	<a href="#">LUV100</a>
Flare 100			

*\*Air intakes are required on Blower Kit and Cool Glass equipped fireplaces only.*

*\*\*Double the intake on see through and room definers, balancing size and positioning on both long sides.*

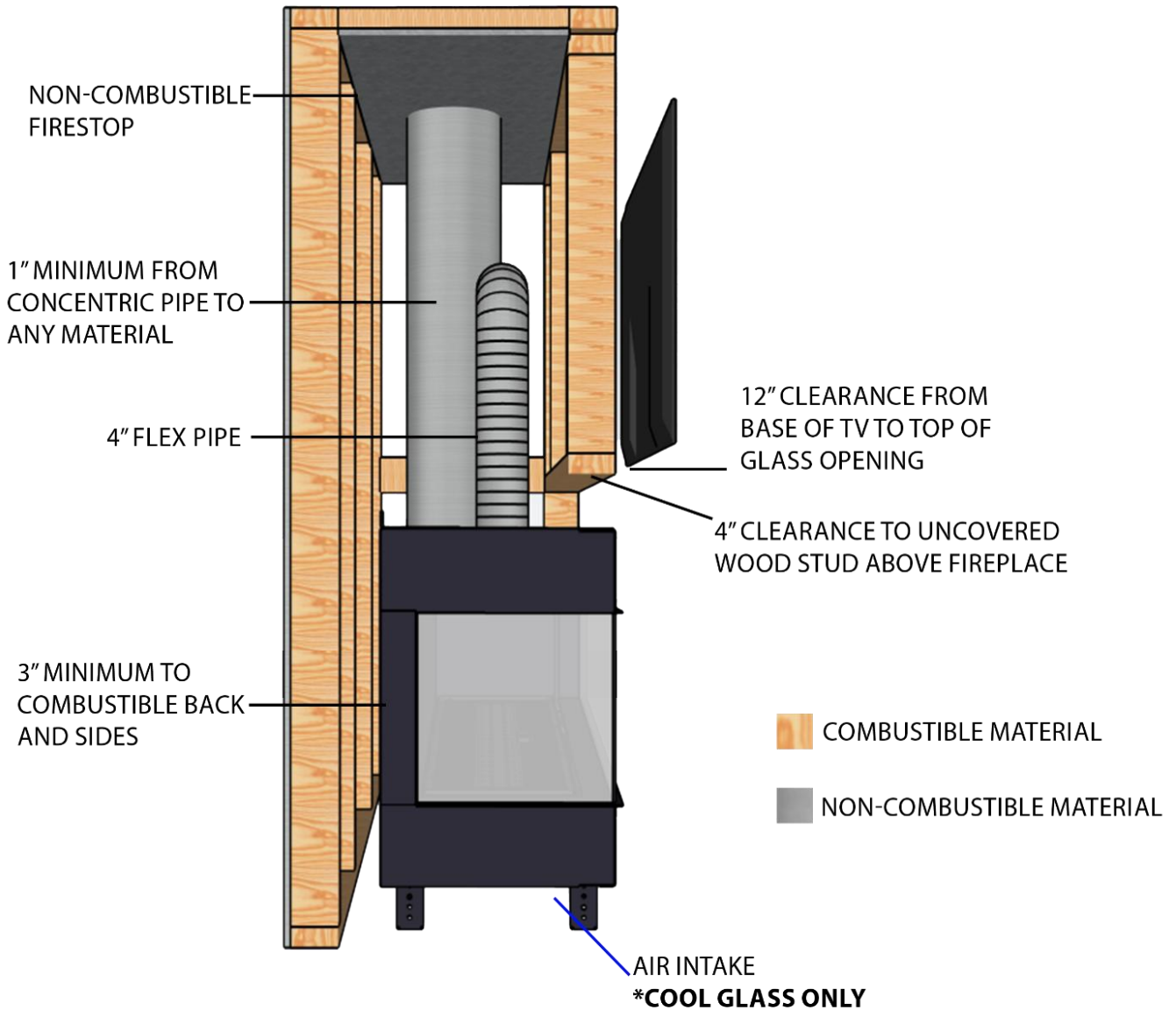
*\*\*\*Standardized air intake louvers are available, but designing a unique intake is acceptable.*



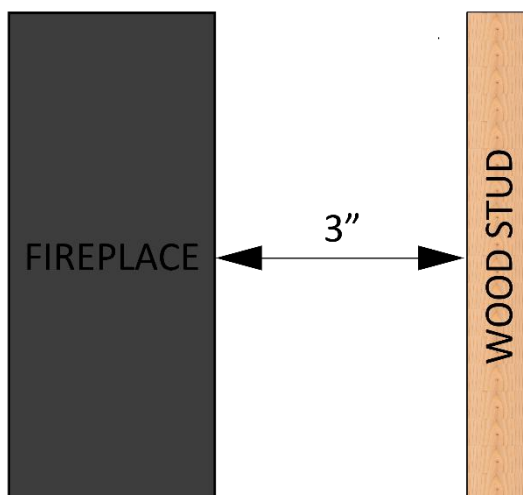
### Active Heat Flex Kit

#### The Passive Heat Flex System Includes:

- Active heat flex fan(s)
- 4" flex pipe adapters
- Active heat flex cover and sides
- 6" cover plates
- 4" – 6" cover plates



### Wood Framing Clearances and Materials Example



\*Any combustible material found within the fireplace cavity must maintain a 3" clearance to the sides and back, and a 4" clearance to the top of the fireplace.