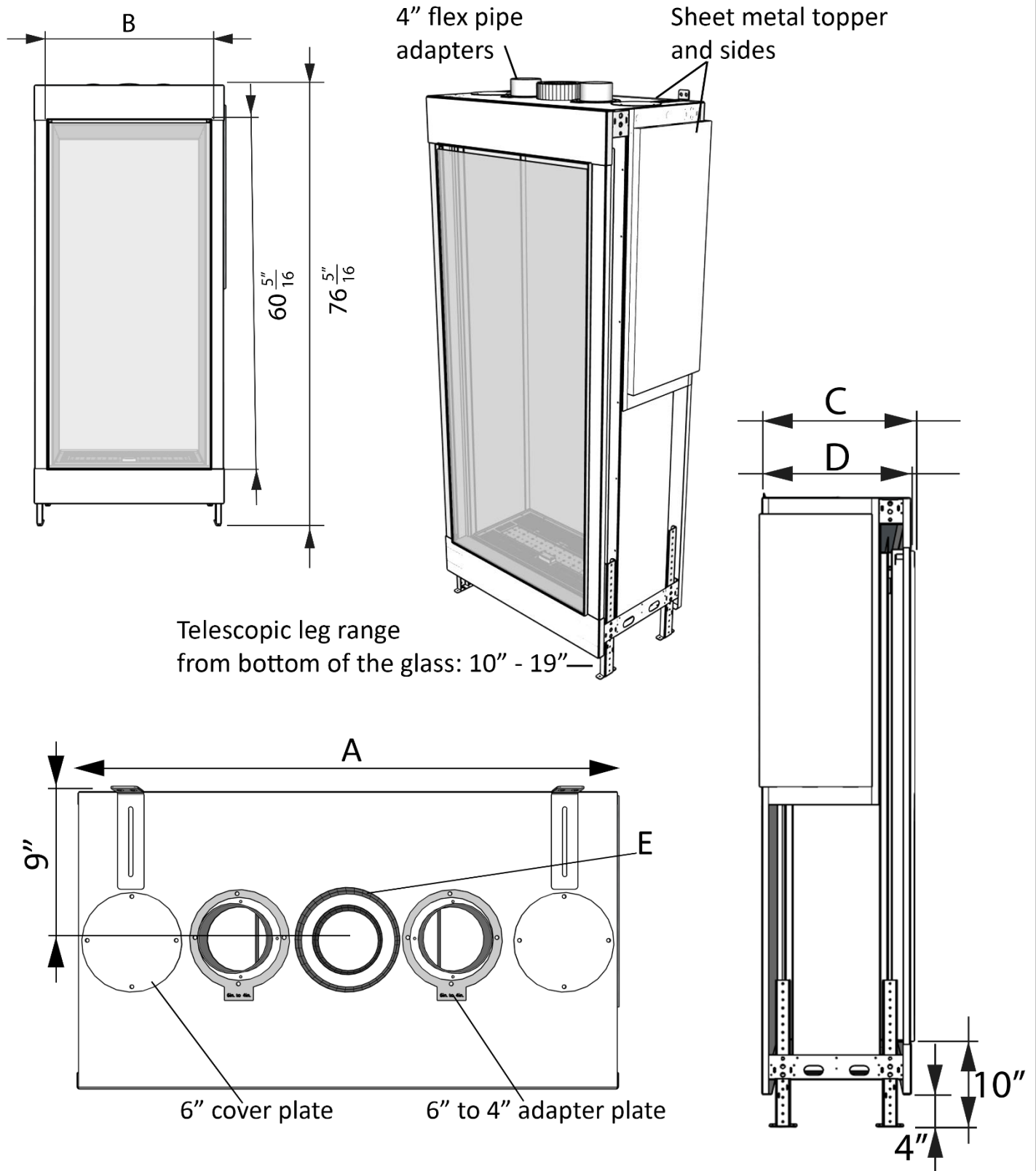


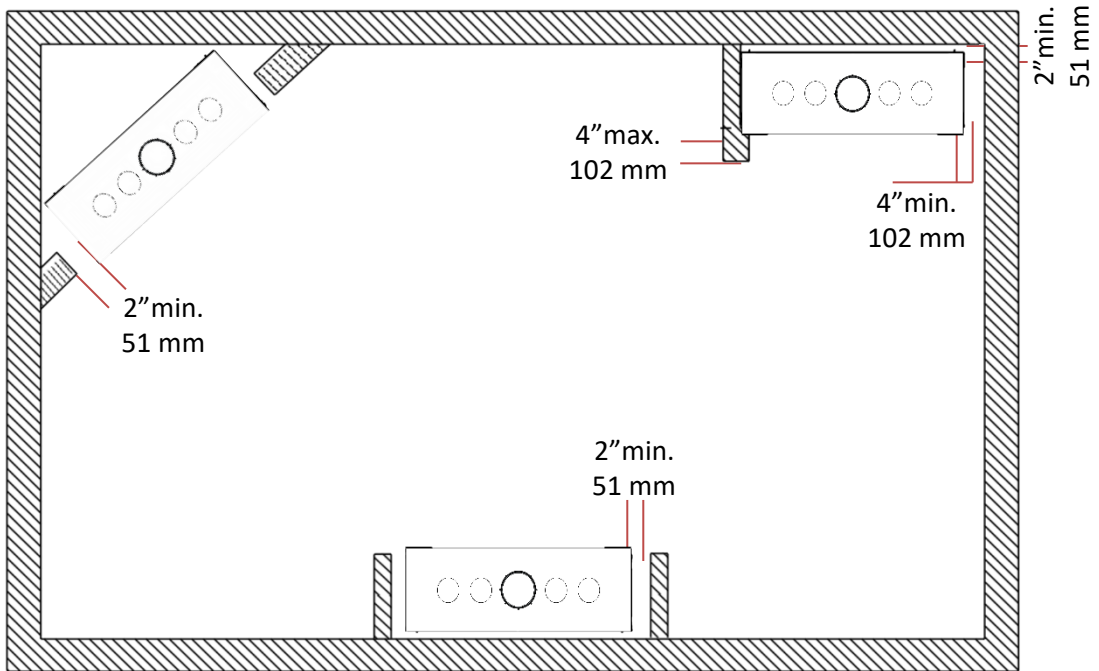
Active Heat Flex – Front Facing Passage – Wood Framing

Fireplace Dimensions



Model		A	B	C	D	E
FF-PASS	IN	32 ¹⁰ / ₁₆	28 ⁵ / ₁₆	18 ⁹ / ₁₆	18 ¹ / ₁₆	5X8
	MM	828	717	471	458	127X203

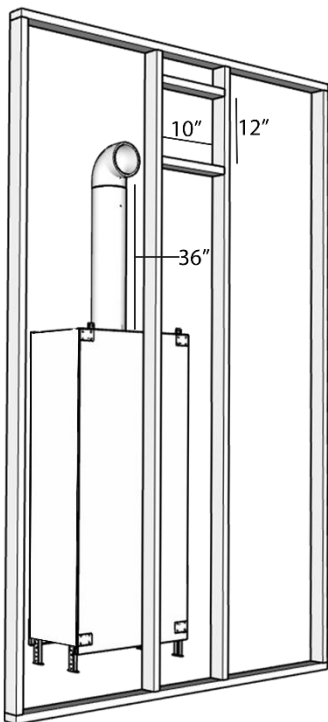
Clearances below are to non-combustible materials.



Chimney Installation

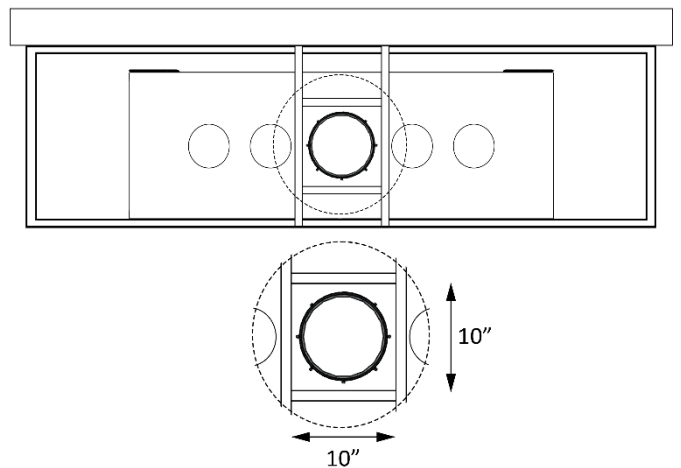
Horizontal Termination

For 5x8 vent pipe termination create a 10"x12" opening

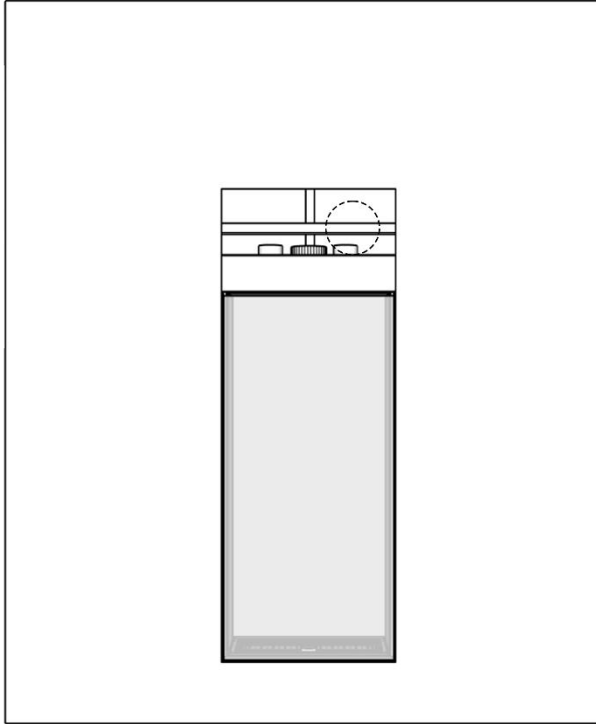


Vertical Termination

For 5x8 vent pipe termination create a 10"x10" opening

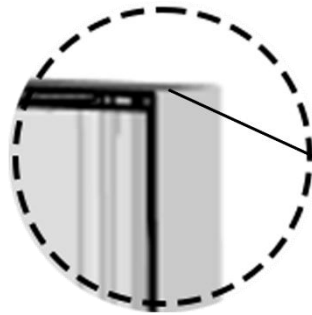
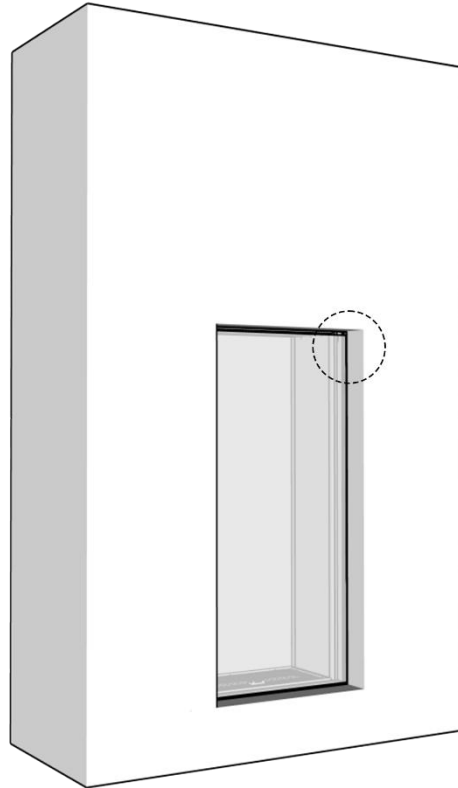


Flat Installation

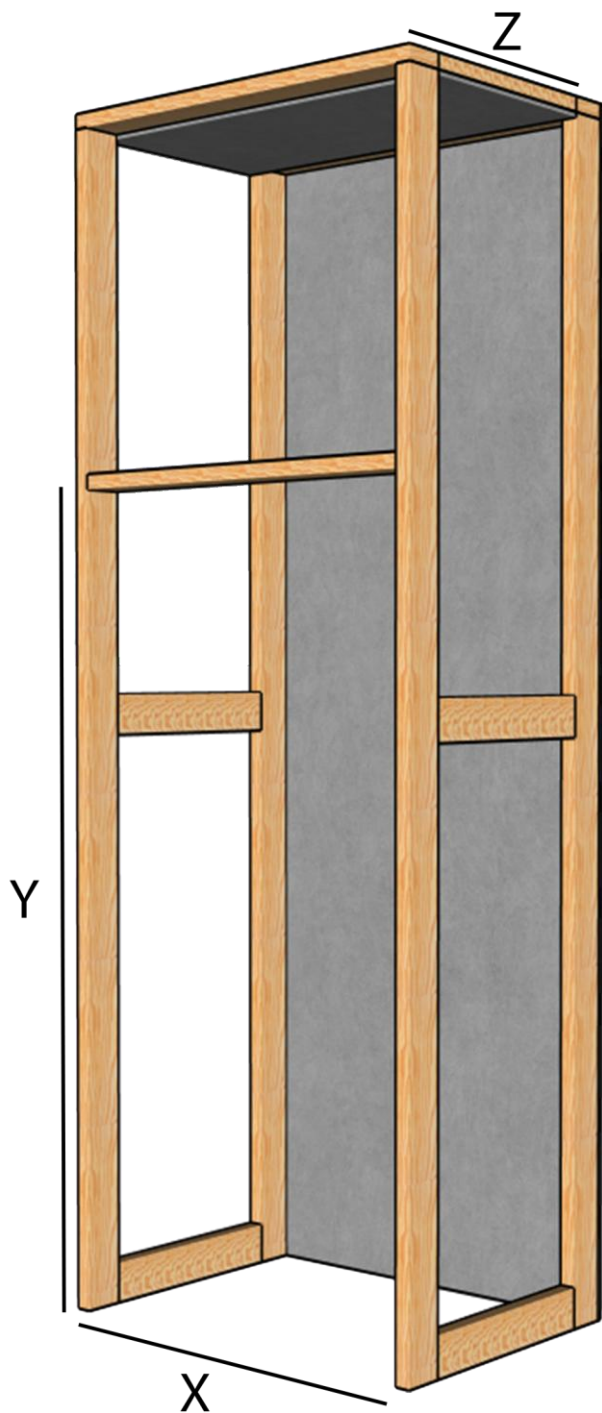


4" clearance to uncovered wood framing above the fireplace.

Recessed Installation



0-4" recommended, 8" max.



NOTE: Dimension “Y” assumes the fireplace legs are set to the default height of 4”, placing the glass opening at 10” above the floor. This “Y” dimension can change based on where your client wants their viewing window.

*All framing and finishing must be secured to your projects back wall, ceiling or floor and must never bear weight on the fireplace in any circumstance. For more information reference the [Installation Manual](#).

Stud to Stud Framing Around The Fireplace

Model		X	Y	Z	
				Flat Installation	Recess Installation (4")
FF-PASS	IN	38 10/16	80 5/16	21 1/16	25 1/16
	MM	981	2040	534	635

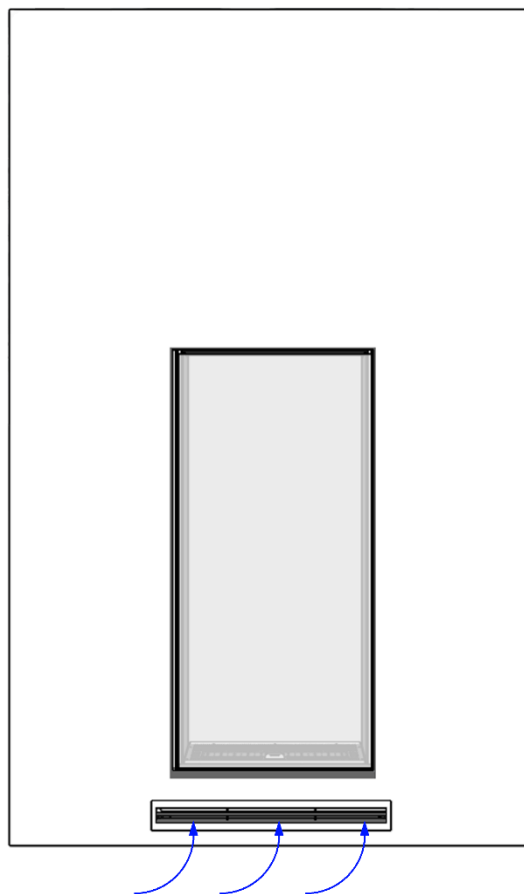
Air Intake

Air Intake Louvers			
Flare Model	Part Name	Description	SKU
Flare 60	LUV-70	70 SQ" Louver	LUV70

**Air intakes are required on Blower Kit and Cool Glass equipped fireplaces only.*

***Double the intake on see through and room definers, balancing size and positioning on both long sides.*

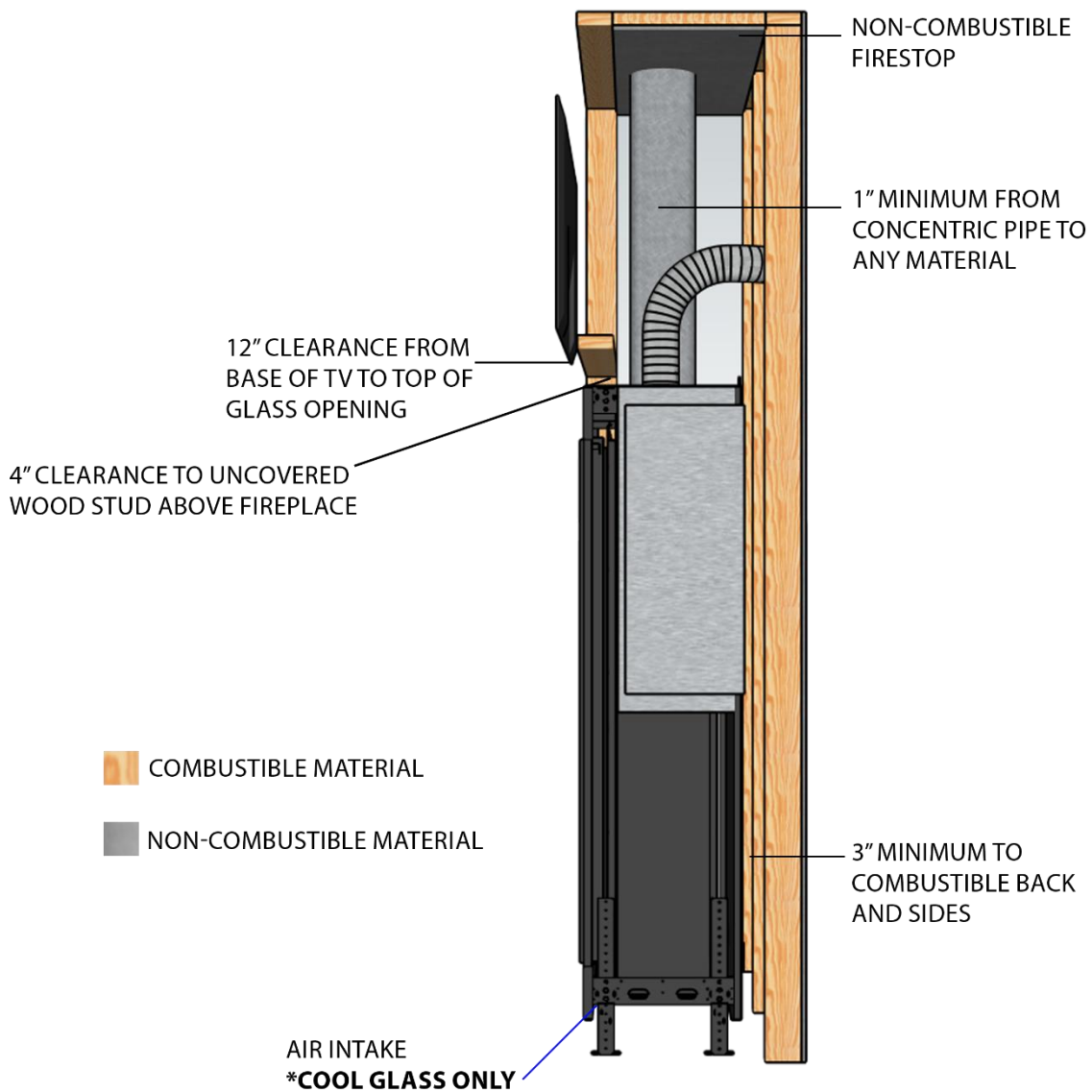
****Standardized air intake louvers are available, but designing a unique intake is acceptable.*



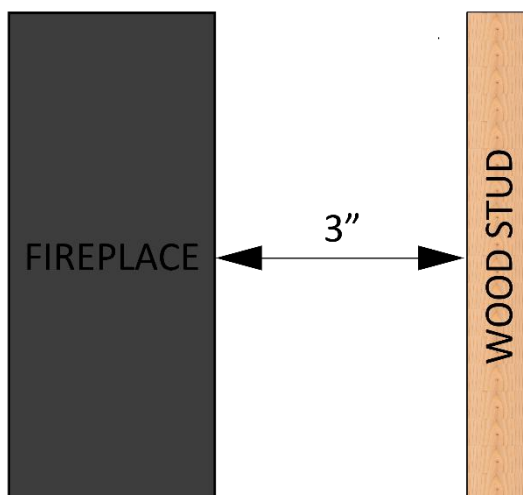
Active Heat Flex Kit

The Passive Heat Flex System Includes:

- Active heat flex fan(s)
- 4" flex pipe adapters
- Active heat flex cover and sides
- 6" cover plates
- 4" – 6" cover plates



Wood Framing Clearances and Materials Example



*Any combustible material found within the fireplace cavity must maintain a 3" clearance to the sides and back, and a 4" clearance to the top of the fireplace.