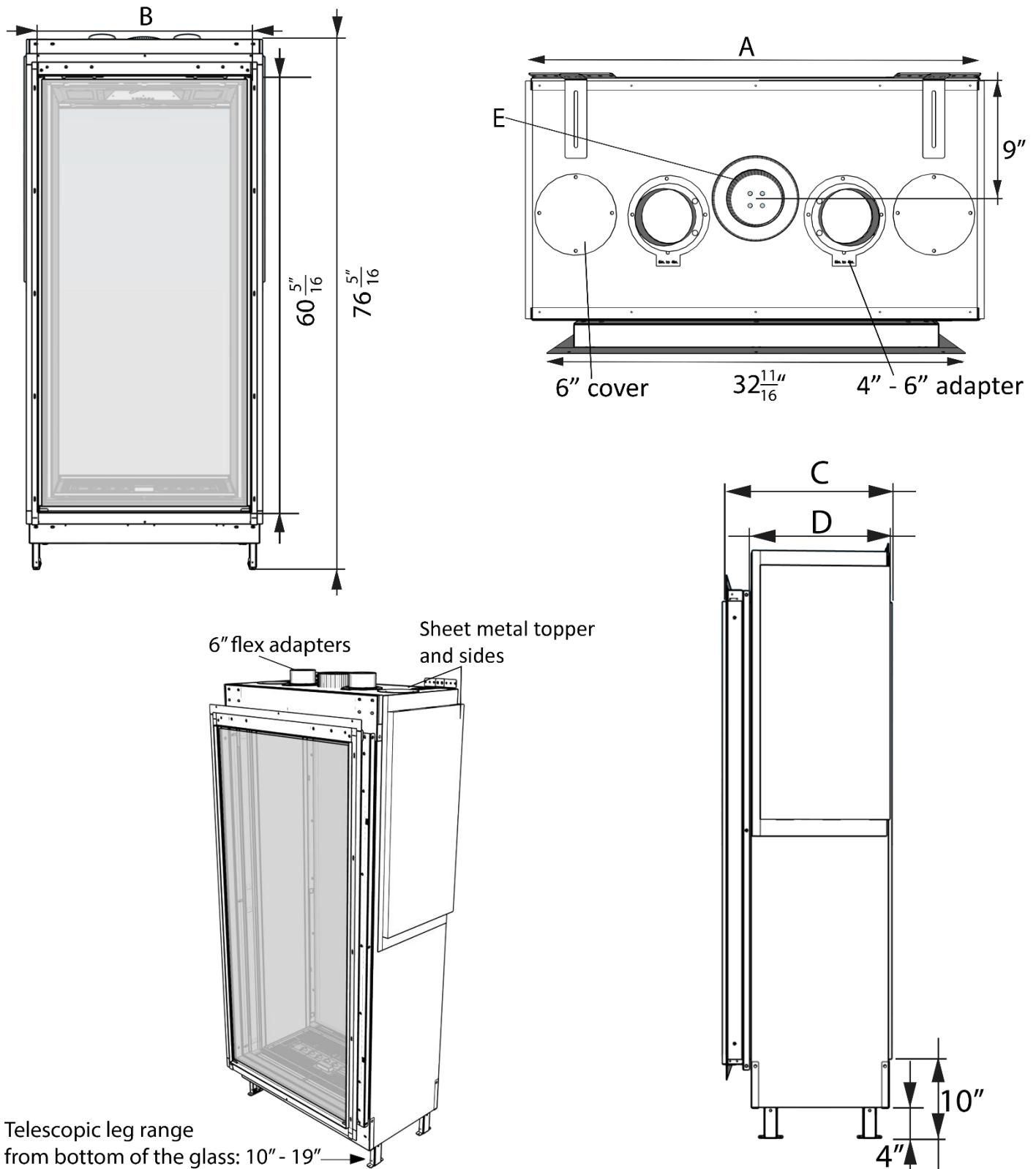
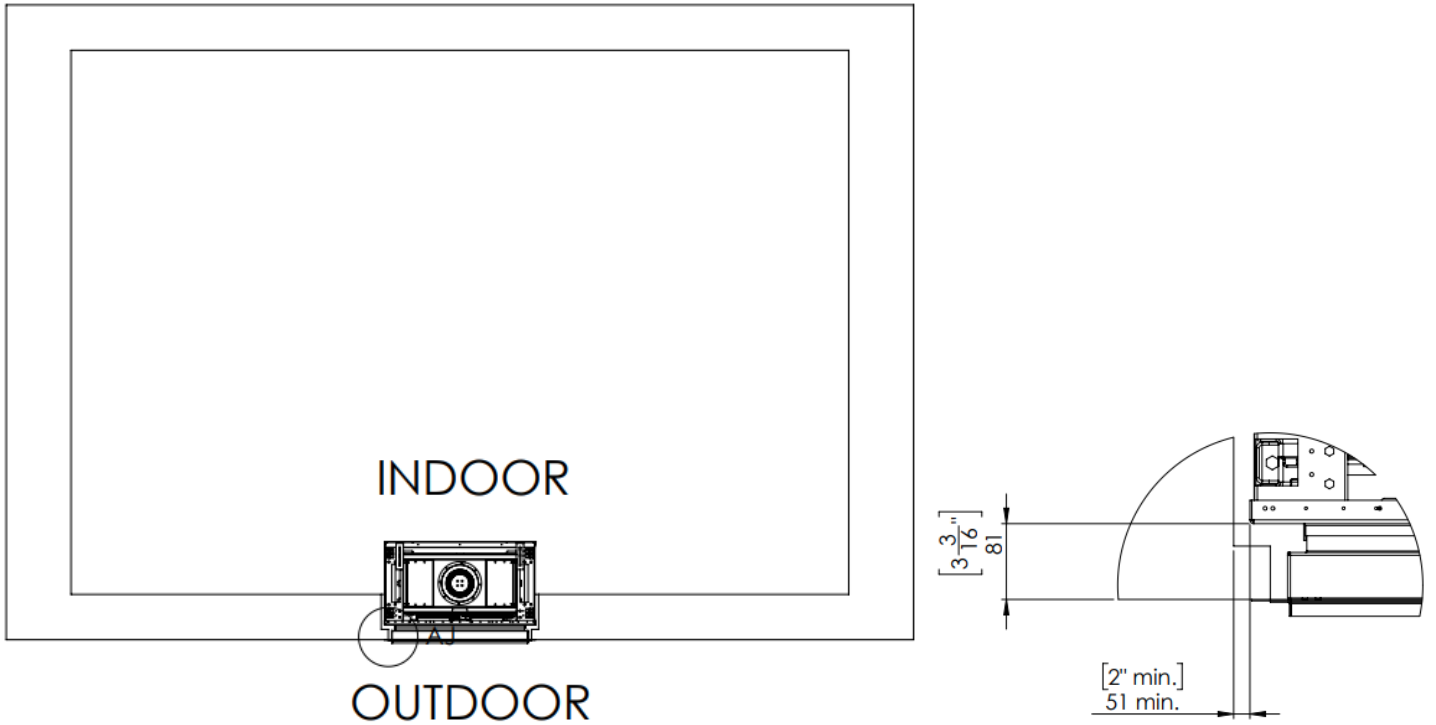


### Fireplace Dimensions



Model		A	B	C	D	E
ST-PASS	IN	32 3/4	29 8/16	22 8/16	21 5/16	5x8
	MM	832	750	571	541	127X203

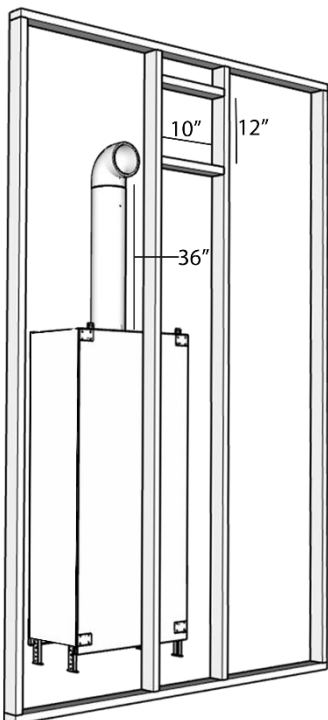
Clearances below are to non-combustible materials.



## Chimney Installation

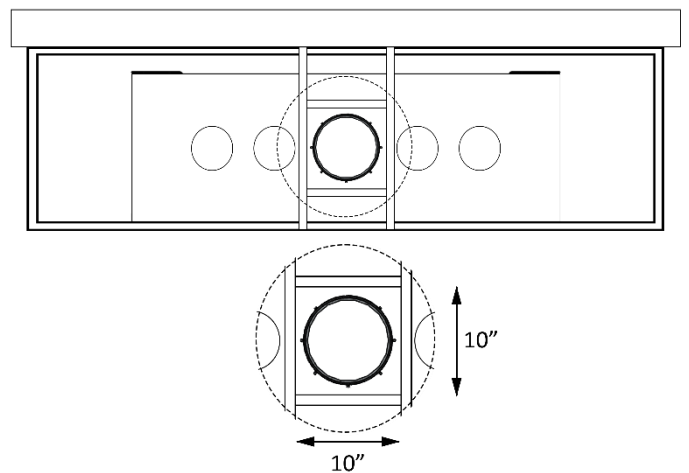
### Horizontal Termination

For 5x8 vent pipe termination create a 10"x12" opening

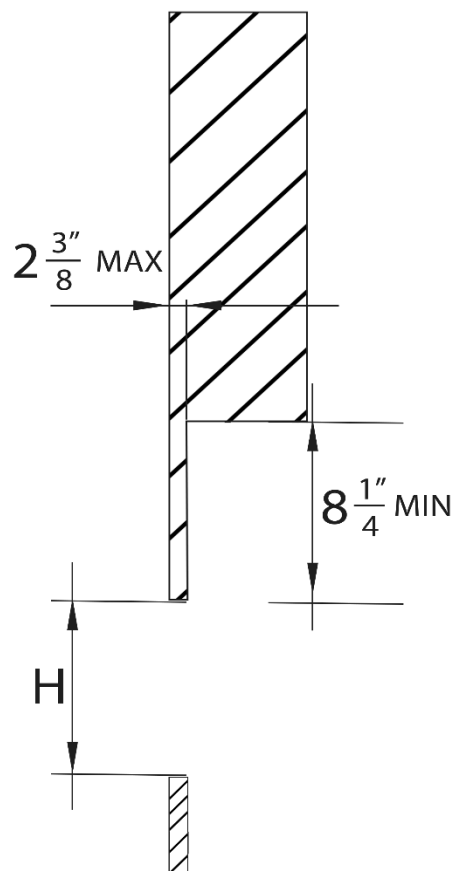
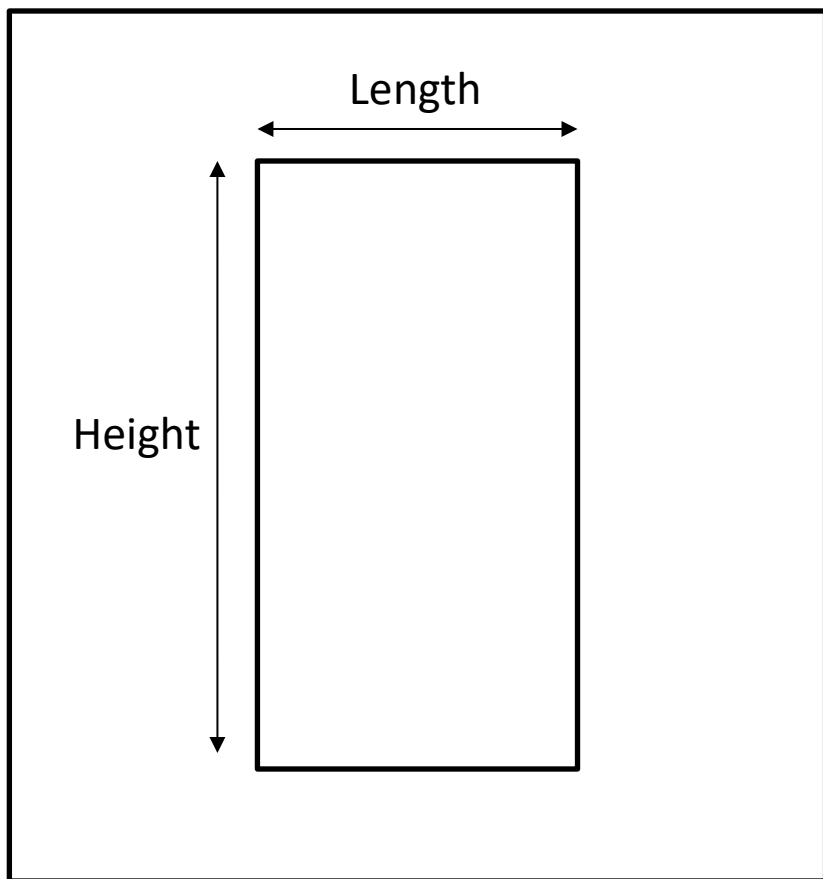


### Vertical Termination

For 5x8 vent pipe termination create a 10"x10" opening

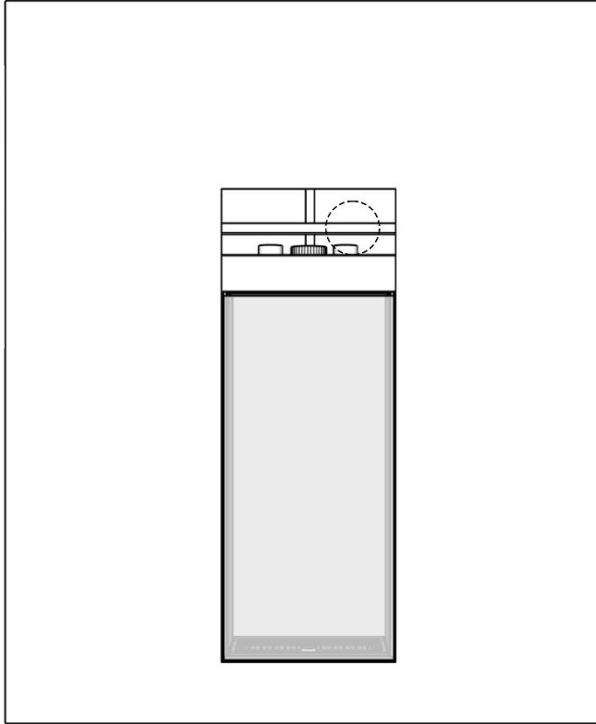


Outdoor Side – Opening Size



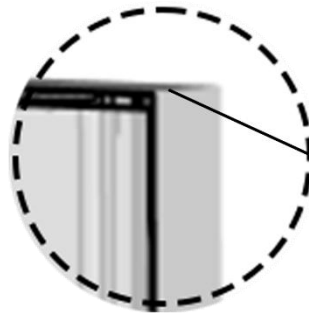
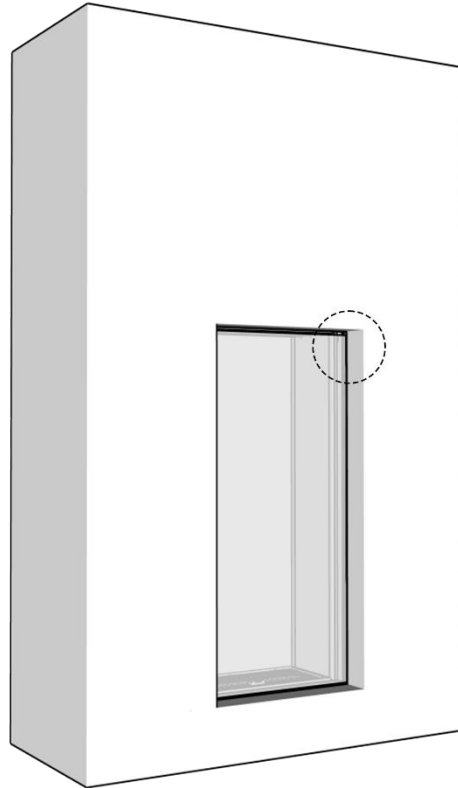
Model		Height	Length
ST-PASS-IO	IN	64 5/16	30 13/16
	MM	1633	783

### Flat Installation

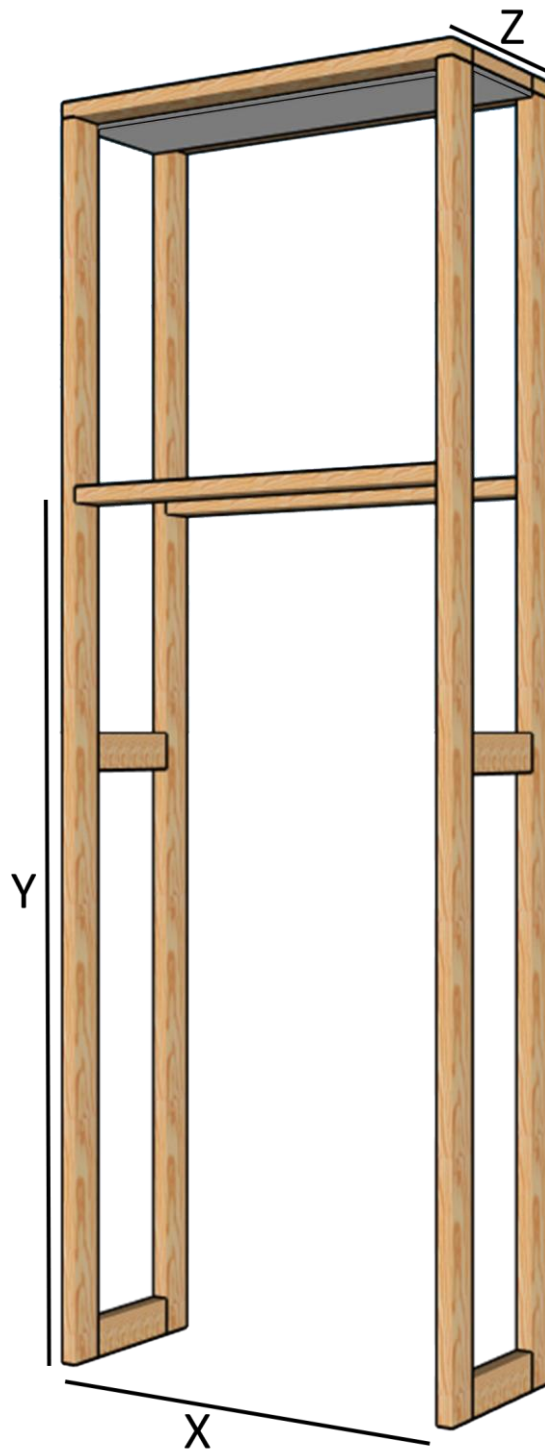


4" clearance to uncovered wood framing above the fireplace.

### Recessed Installation



0-4" recommended, 8" max.



**NOTE:** Dimension “Y” assumes the fireplace legs are set to the default height of 4”, placing the glass opening at 10” above the floor. This “Y” dimension can change based on where your client wants their viewing window.

\*All framing and finishing must be secured to your projects back wall, ceiling or floor and must never bear weight on the fireplace in any circumstance. For more information reference the [Installation Manual](#).

Model		X	Y	Z	
				Flat Installation	Recess Installation (4")
ST-PASS-OD	IN	38 3/4	80 5/16	21 5/16	29 5/16
	MM	984	2040	541	744

### Air Intake

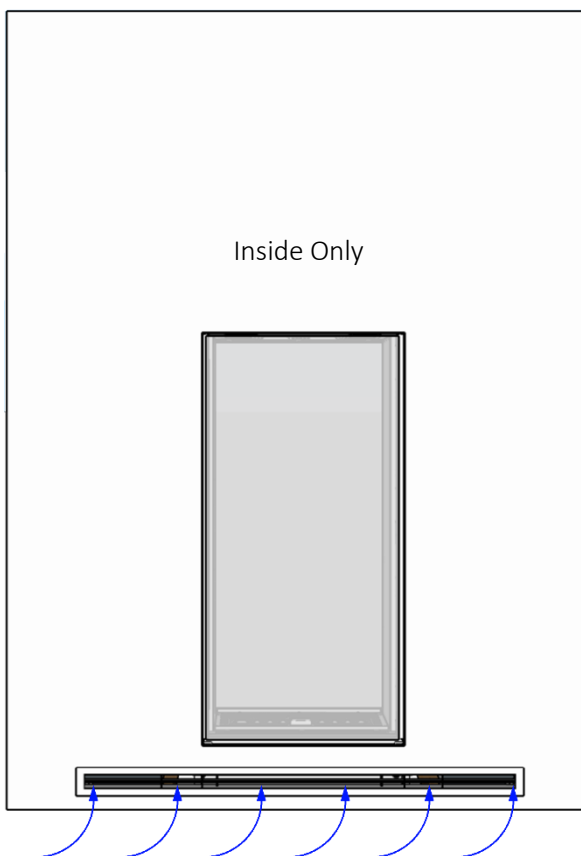
Air Intake Louvers			
Flare Model	Part Name	Description	SKU
ST30EH-I/O	LUV-140	140 SQ" Louver	<a href="#">LUV140</a>

*\*Air intakes are required on Blower Kit and Cool Glass equipped fireplaces only.*

*\*\*Double the intake on see through and room definers, balancing size and positioning on both long sides.*

*\*\*\*Standardized air intake louvers are available, but designing a unique intake is acceptable.*

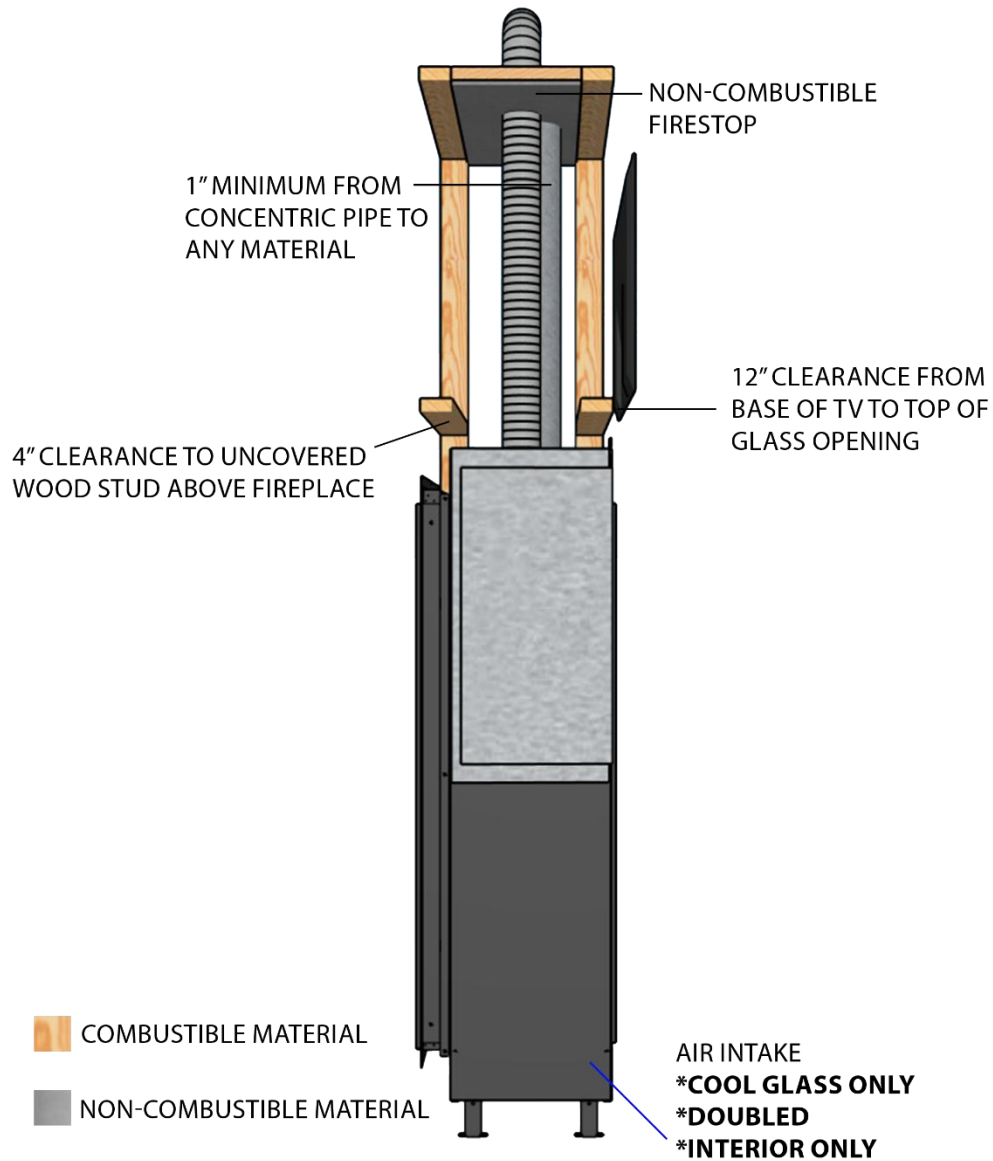
*\*\*\*\* The see-through indoor-outdoor unit must double the air intake but only place it on the interior of the project.*



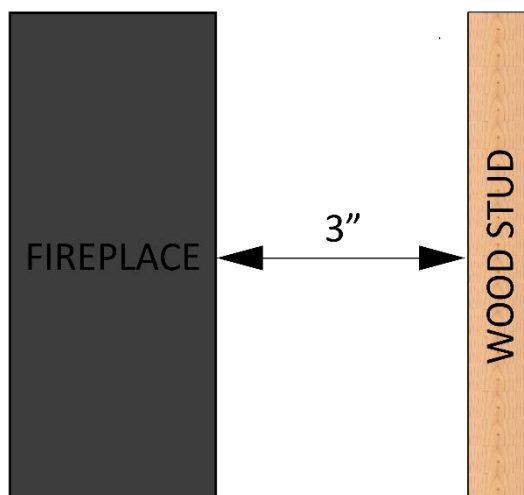
### Active Heat Flex Kit

#### The Passive Heat Flex System Includes:

- Active heat flex fan(s)
- 4" flex pipe adapters
- Active heat flex cover and sides
- 6" cover plates
- 4" – 6" cover plates



### Wood Framing Clearances and Materials Example



\*Any combustible material found within the fireplace cavity must maintain a 3" clearance to the sides and back, and a 4" clearance to the top of the fireplace.