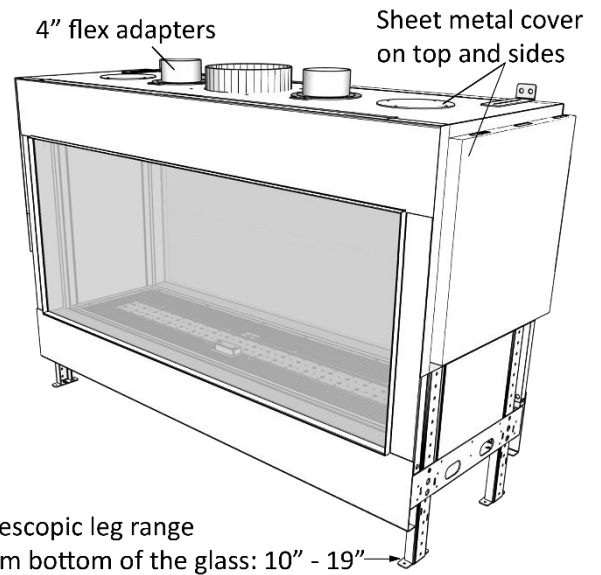
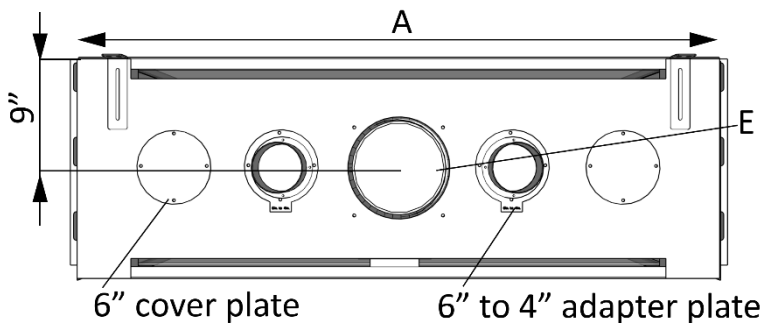
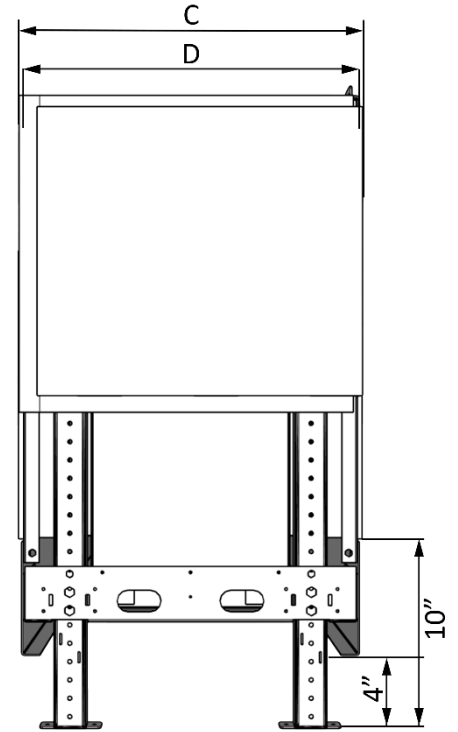
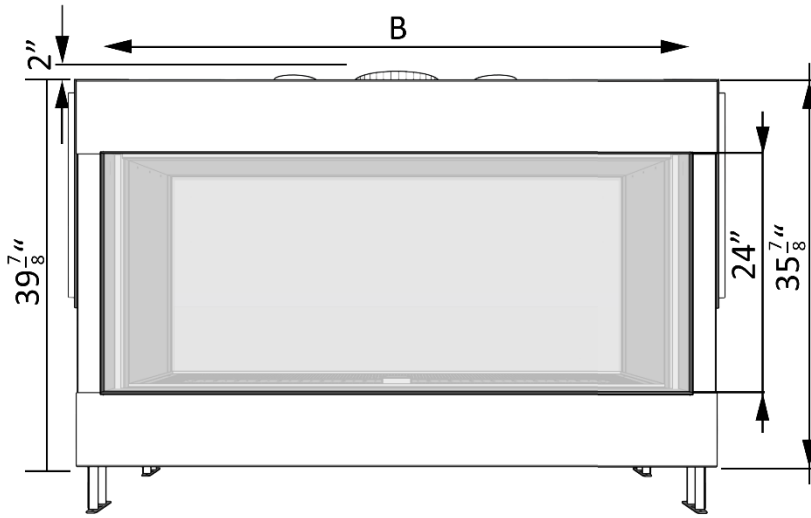


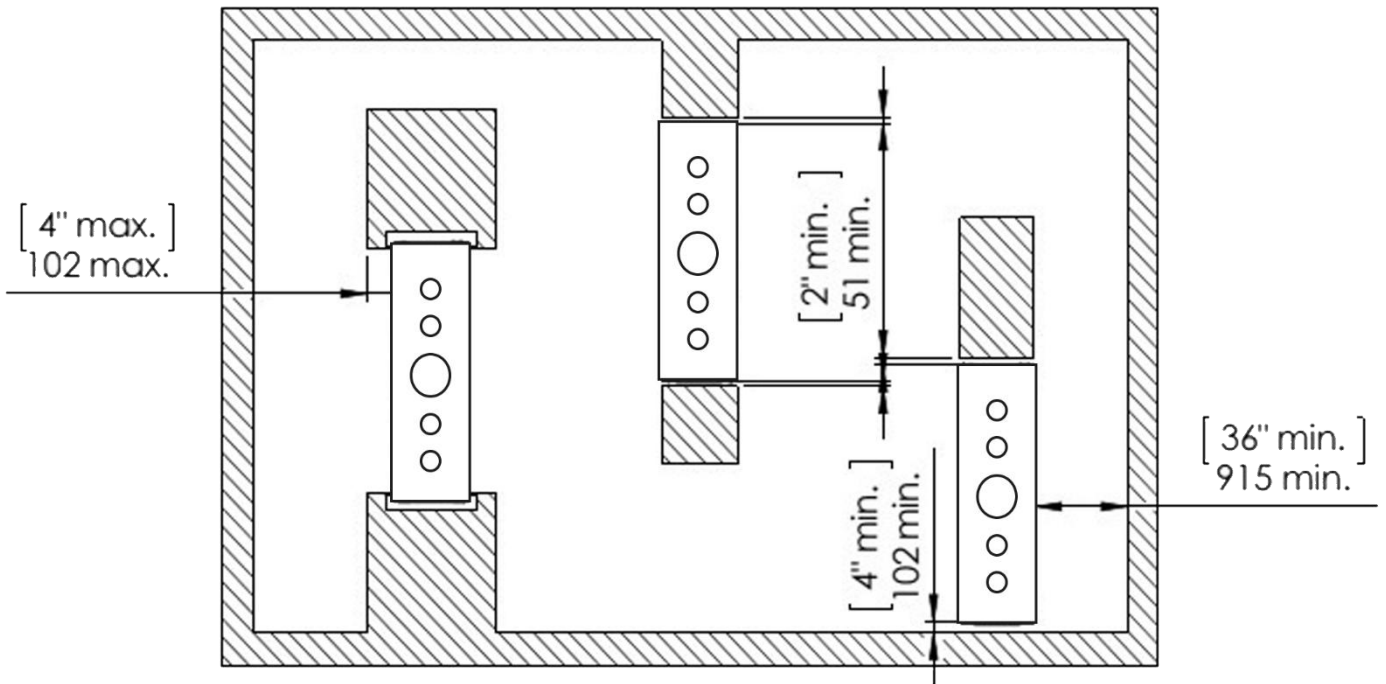
Active Heat Flex – See Through – Wood Framing - High

Fireplace Dimensions



Model		30	45	50	60	70	80	100
A	IN	32 12/16	45 13/16	52 8/16	62 5/16	72 3/16	84 12/16	101 11/16
	MM	833	1163	1333	1583	1833	2143	2583
B	IN	28 4/16	41 4/16	47 15/16	57 13/16	67 10/16	80 4/16	97 3/16
	MM	718	1048	1218	1468	1718	2038	2468
C	IN	19 2/16	19 2/16	19 2/16	19 2/16	19 2/16	19 2/16	19 2/16
	MM	485	485	485	485	485	485	485
D	IN	18 1/16	18 1/16	18 1/16	18 1/16	18 1/16	18 1/16	18 1/16
	MM	458	458	458	458	458	458	458
E	IN	4x6	4x6	5x8	5x8	5x8	5x8	5x8
	MM	101x152	101x152	127x203	127x203	127x203	127x203	127x203

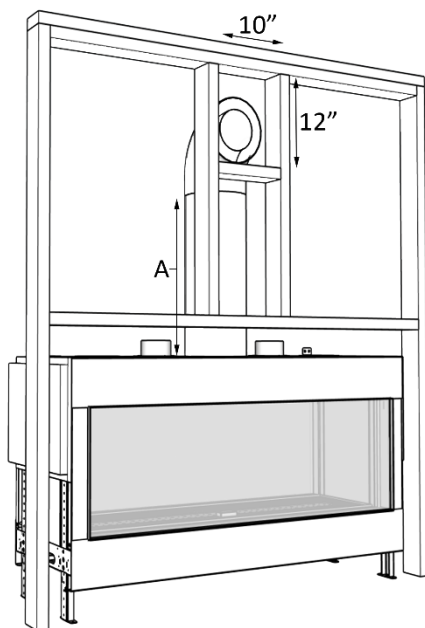
Clearances below are to non-combustible materials.



Chimney Installation

Horizontal Termination

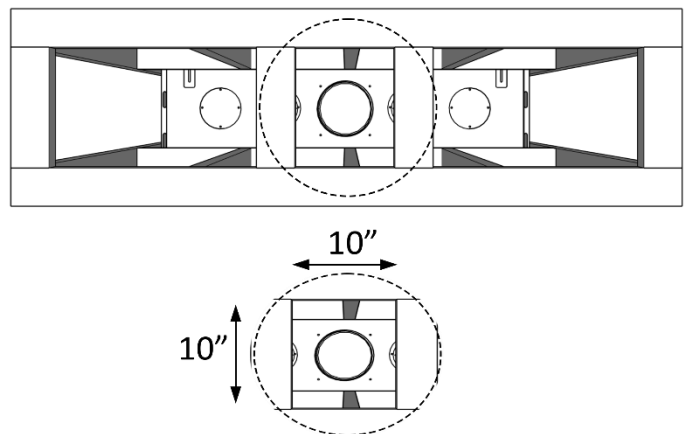
For 5x8 vent pipe termination create a 10"x12" opening



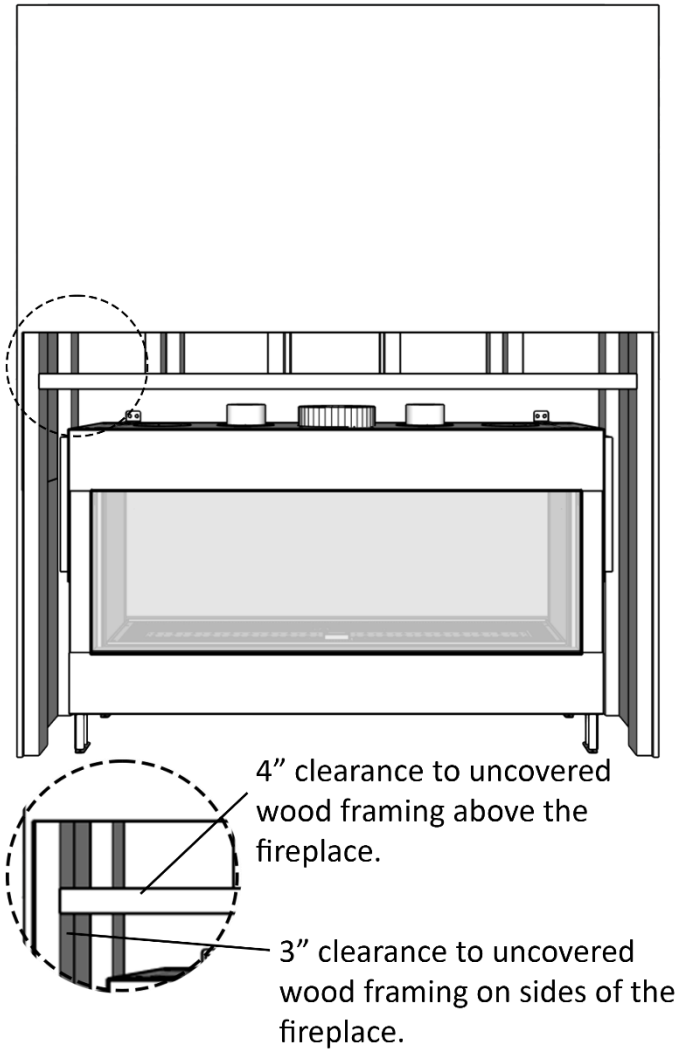
A: 36" min on 30-70" fireplaces
72" min on 80-100" fireplaces

Vertical Termination

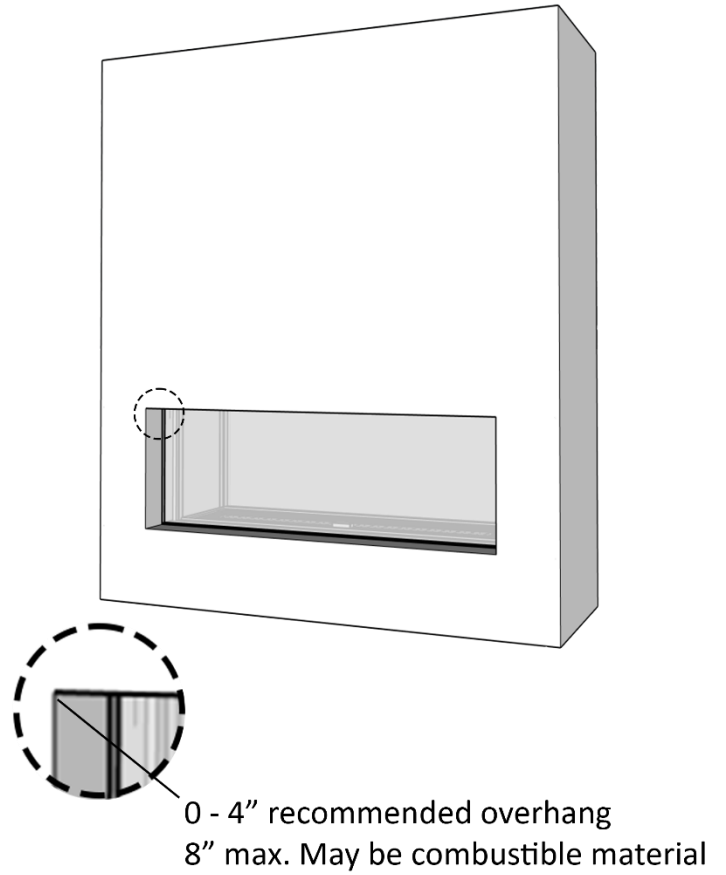
For 5x8 vent pipe termination create a 10"x10" opening

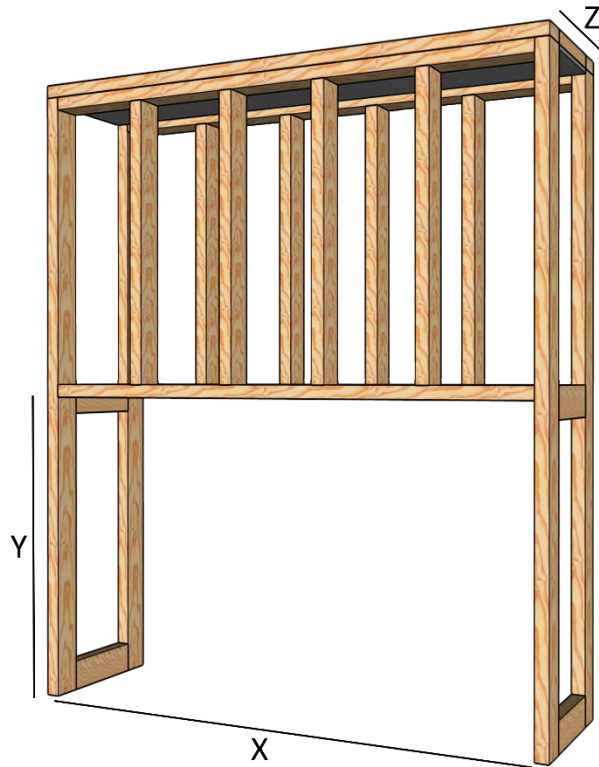


Flat Installation



Recessed Installation





NOTE: Dimension “Y” assumes the fireplace legs are set to the default height of 4”, placing the glass opening at 10” above the floor. This “Y” dimension can change based on where your client wants their viewing window.

*All framing and finishing must be secured to your projects back wall, ceiling or floor and must never bear weight on the fireplace in any circumstance. For more information reference the [Installation Manual](#).

Stud to Stud Framing Around The Fireplace

Model		X	Y	Z	
				Flat Installation	Recess Installation (4")
30	IN	38 12/16	43 7/8	18 1/16	26 1/16
	MM	985	1114	458	661
45	IN	51 13/16	43 7/8	18 1/16	26 1/16
	MM	1316	1114	458	661
50	IN	58 8/16	43 7/8	18 1/16	26 1/16
	MM	1485	1114	458	661
60	IN	68 5/16	43 7/8	18 1/16	26 1/16
	MM	1735	1114	458	661
70	IN	78 3/16	43 7/8	18 1/16	26 1/16
	MM	1985	1114	458	661
80	IN	90 12/16	43 7/8	18 1/16	26 1/16
	MM	2305	1114	458	661
100	IN	107 11/16	43 7/8	18 1/16	26 1/16
	MM	2735	1114	458	661

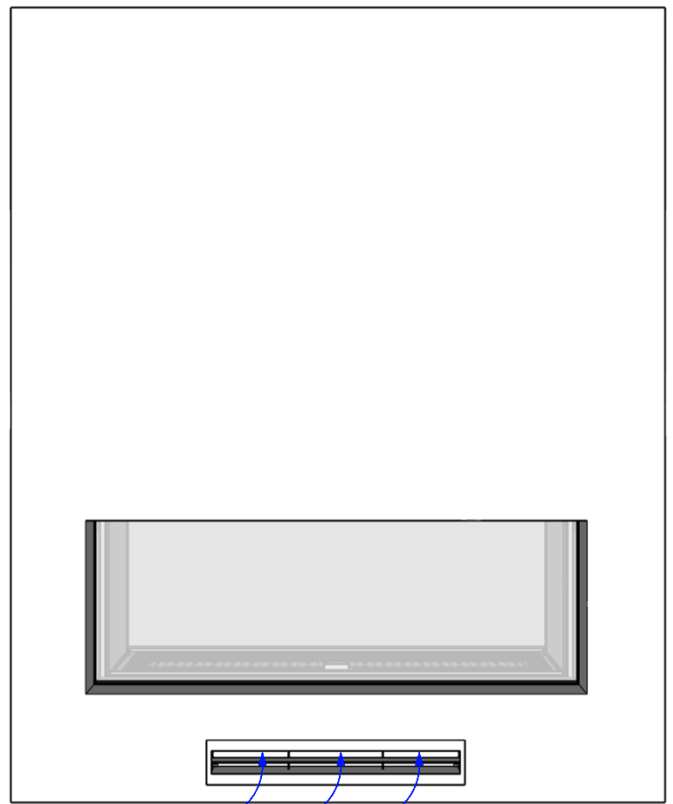
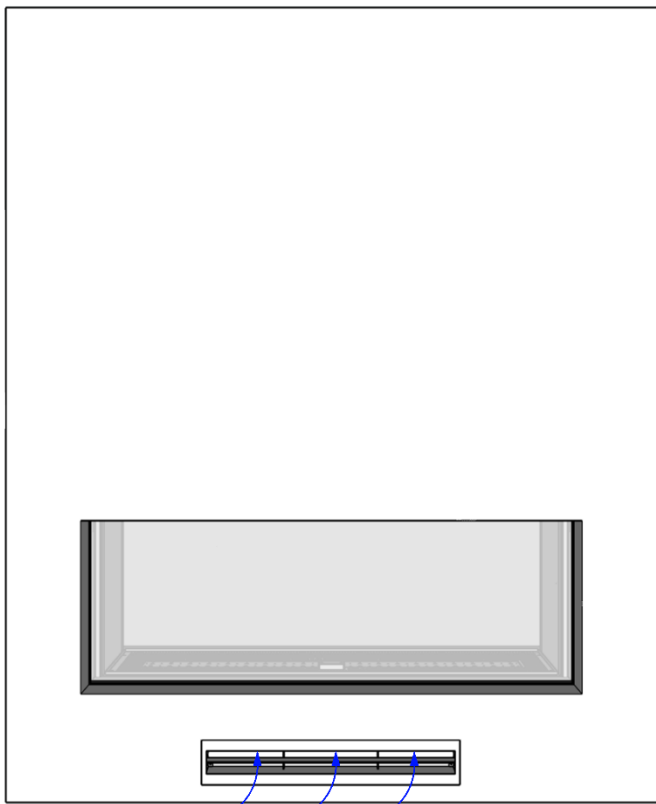
Air Intake

Air Intake Louvers			
Flare Model	Part Name	Description	SKU
Flare 45	LUV-50	50 SQ" Louver	LUV50 (x2)
Flare 50			
Flare 60	LUV-70	70 SQ" Louver	LUV70 (x2)
Flare 70			
Flare 80	LUV-100	100 SQ" Louver	LUV100 (x2)
Flare 100			

**Air intakes are required on Blower Kit and Cool Glass equipped fireplaces only.*

***Double the intake on see through and room definers, balancing size and positioning on both long sides.*

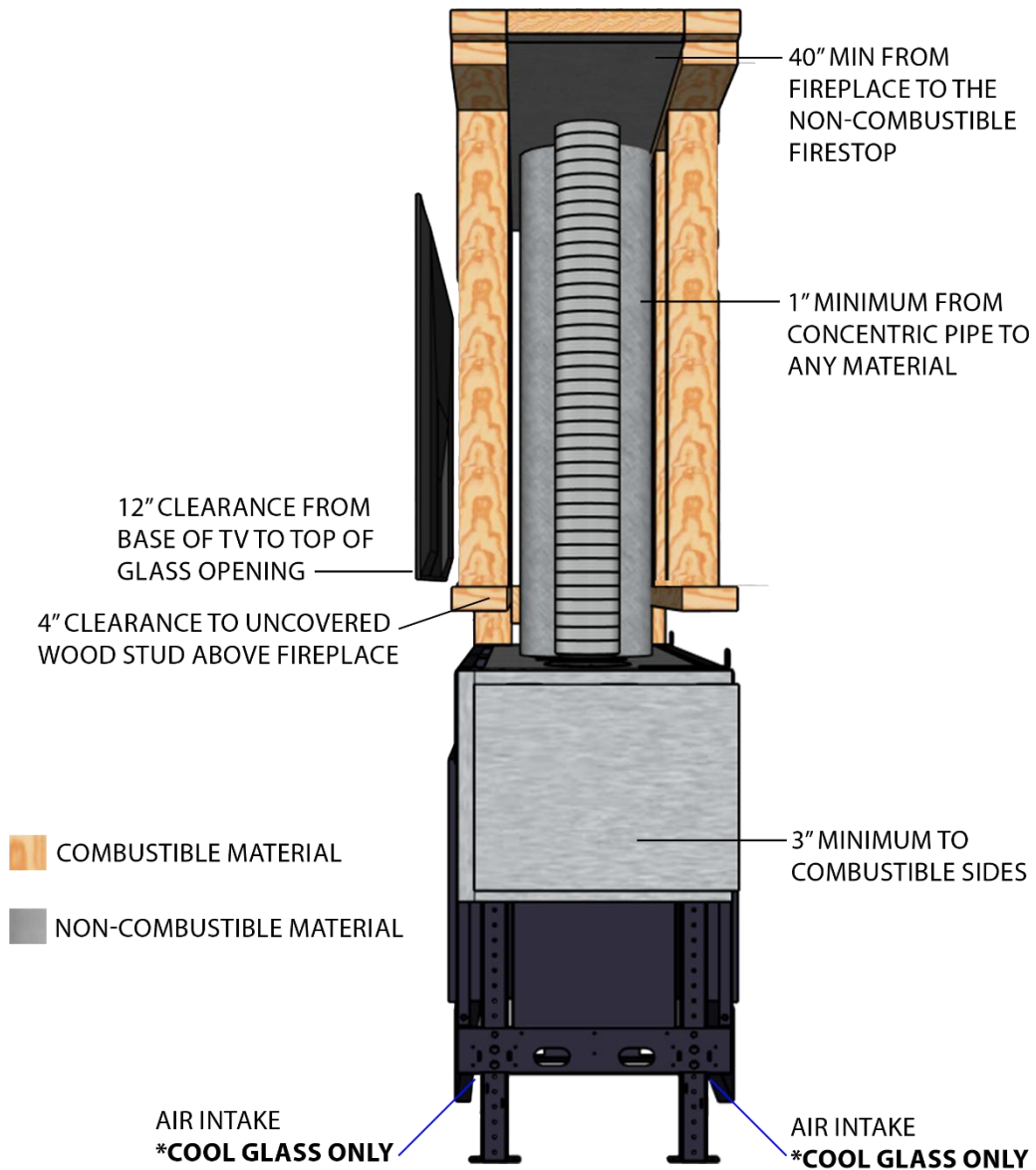
****Standardized air intake louvers are available, but designing a unique intake is acceptable.*



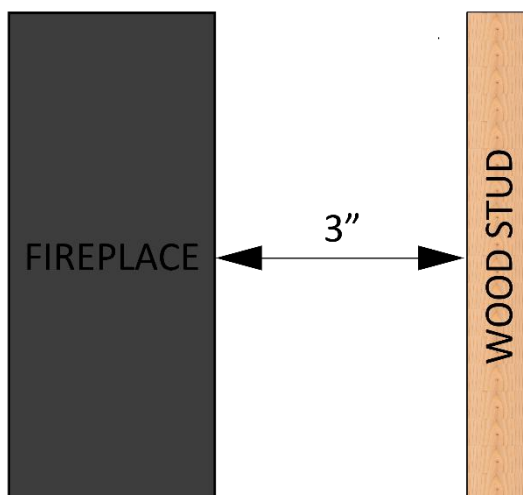
Active Heat Flex Kit

The Passive Heat Flex System Includes:

- Active heat flex fan(s)
- 4" flex pipe adapters
- Active heat flex cover and sides
- 6" cover plates
- 4" – 6" cover plates



Wood Framing Clearances and Materials Example



*Any combustible material found within the fireplace cavity must maintain a 3" clearance to the sides and back, and a 4" clearance to the top of the fireplace.