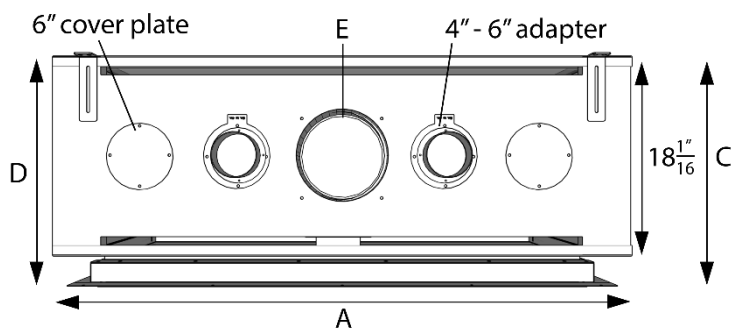
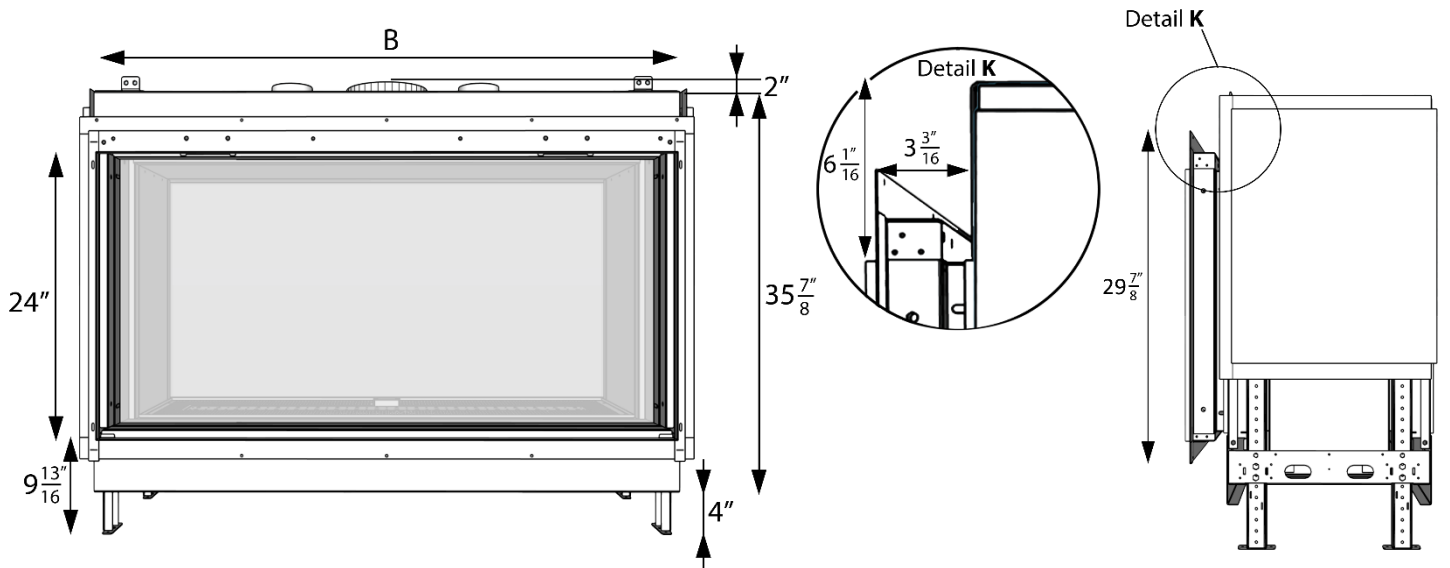
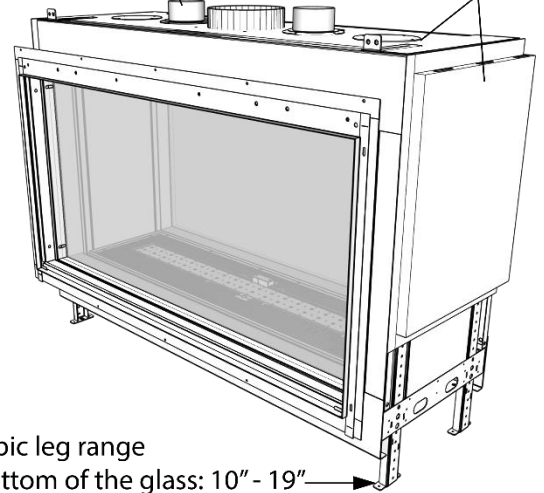


### Fireplace Dimensions

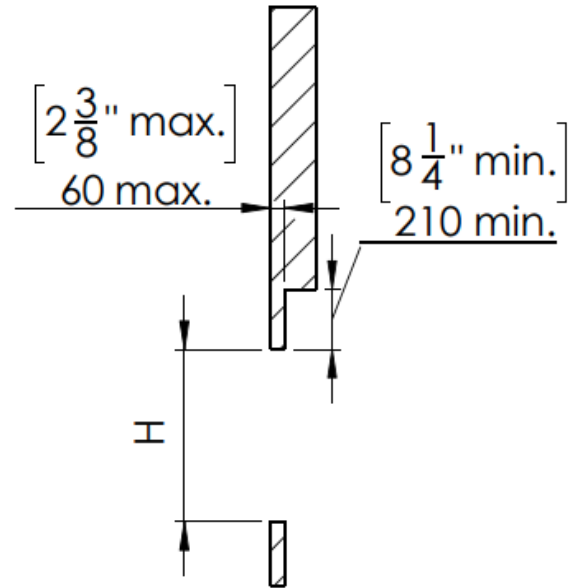
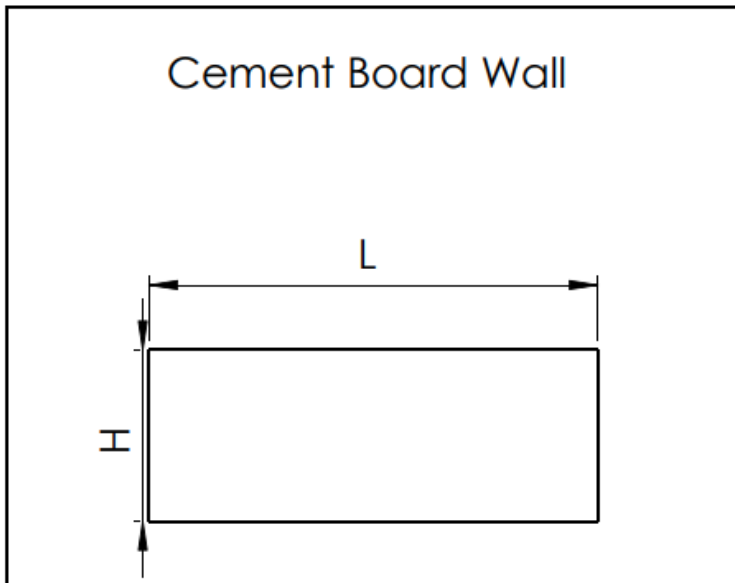


4 or 6" flex adapters  
Sheet metal cover on top and sides



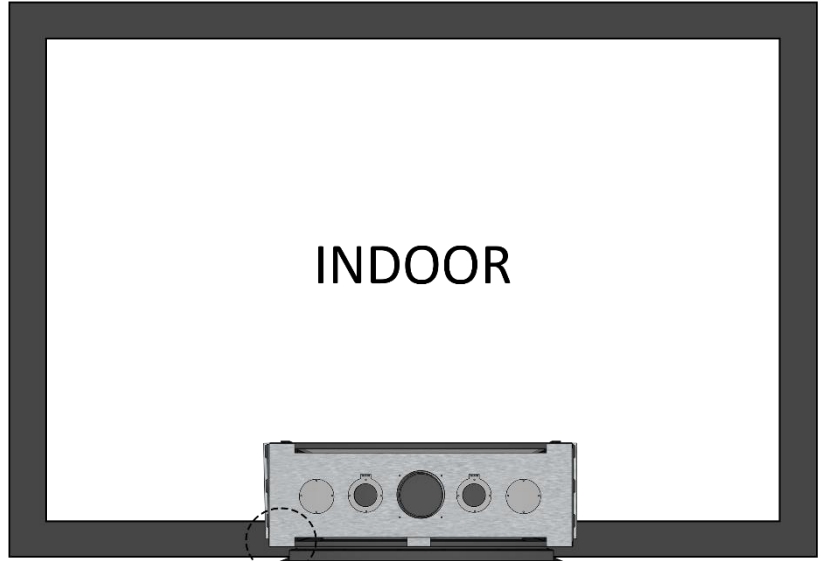
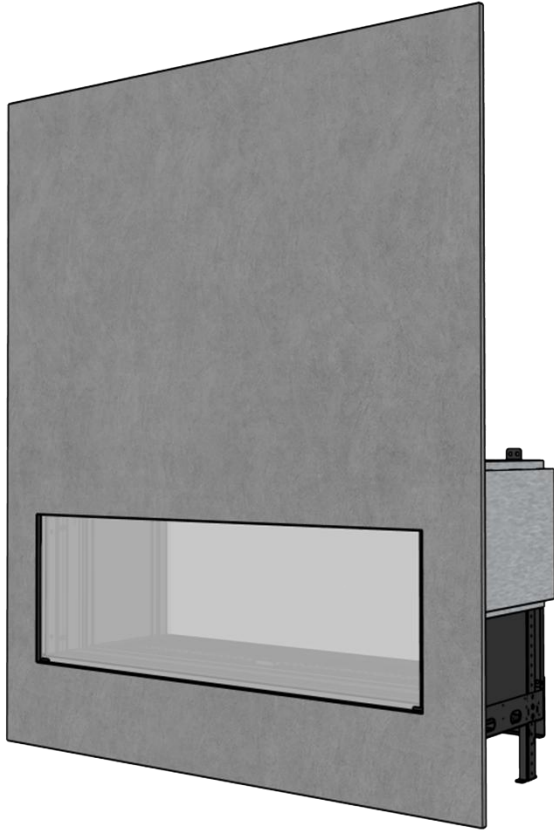
Telescopic leg range  
from bottom of the glass: 10" - 19"

Model		30	45	50	60	70	80	100
A	IN	32 13/16	45 13/16	52 8/16	62 5/16	72 3/16	84 12/16	101 11/16
	MM	833	1163	1333	1582	1833	2152	2582
B	IN	29 3/8	42 5/16	49 1/16	58 14/16	68 12/16	81 5/16	98 4/16
	MM	745	1074	1246	1495	1746	2065	2495
C	IN	22 6/16	22 6/16	22 6/16	22 6/16	22 6/16	22 6/16	22 6/16
	MM		568	568	568	568	568	568
D	IN	21 6/16	21 6/16	21 6/16	21 6/16	21 6/16	21 6/16	21 6/16
	MM	542	542	542	542	542	542	542
E	IN	4x6	4x6	5x8	5x8	5x8	5x8	5x8
	MM	101x152	101x152	127x203	127x203	127x203	127x203	127x203

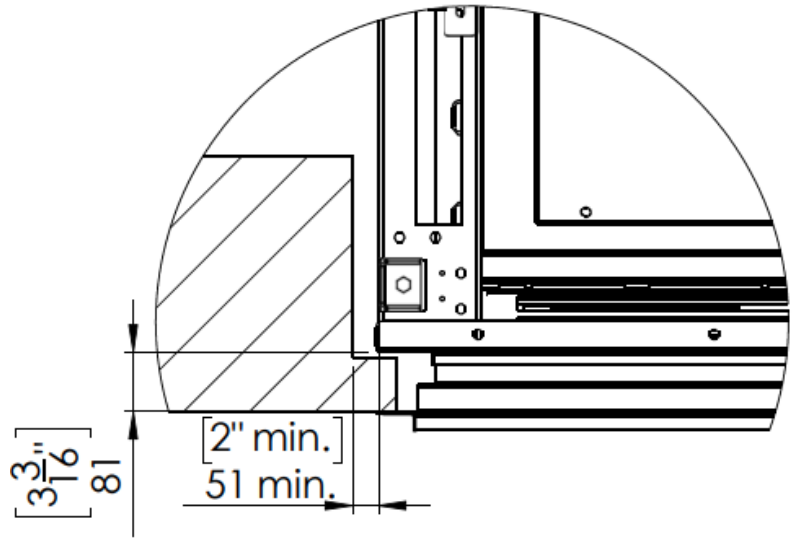


### Outdoor Kit Opening Dimensions

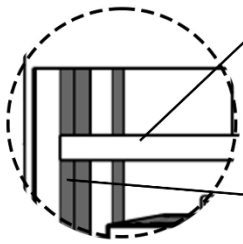
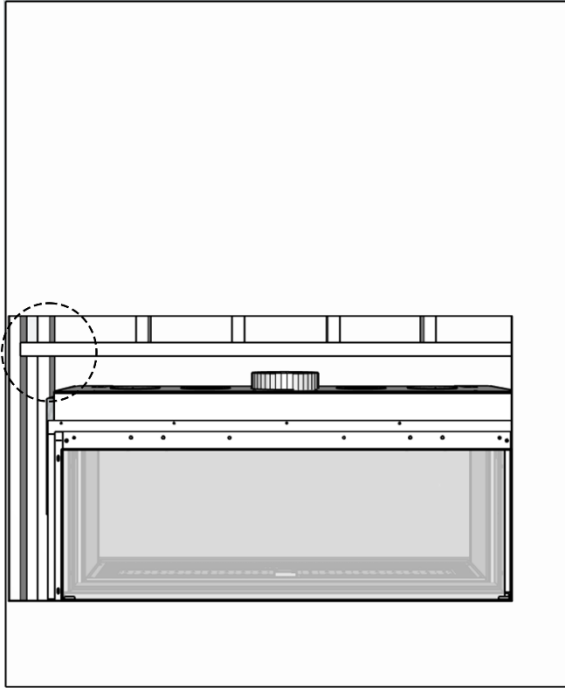
		H	L
<b>30</b>	IN	27 14/16	30 11/16
	MM	708	779
<b>45</b>	IN	27 14/16	43 13/16
	MM	708	1113
<b>50</b>	IN	27 14/16	50 8/16
	MM	708	1283
<b>60</b>	IN	27 14/16	60 5/16
	MM	708	1532
<b>70</b>	IN	27 14/16	70 3/16
	MM	708	1783
<b>80</b>	IN	27 14/16	82 12/16
	MM	708	2102
<b>100</b>	IN	27 14/16	99 11/16
	MM	708	2532



OUTDOOR



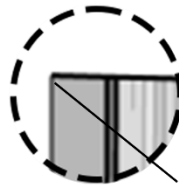
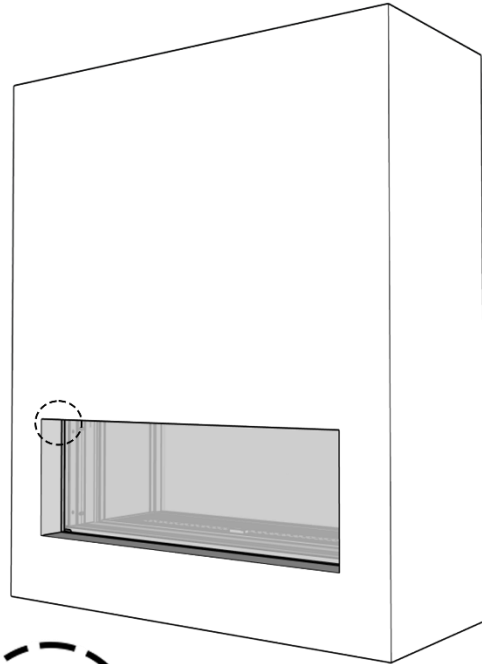
### Flat Installation



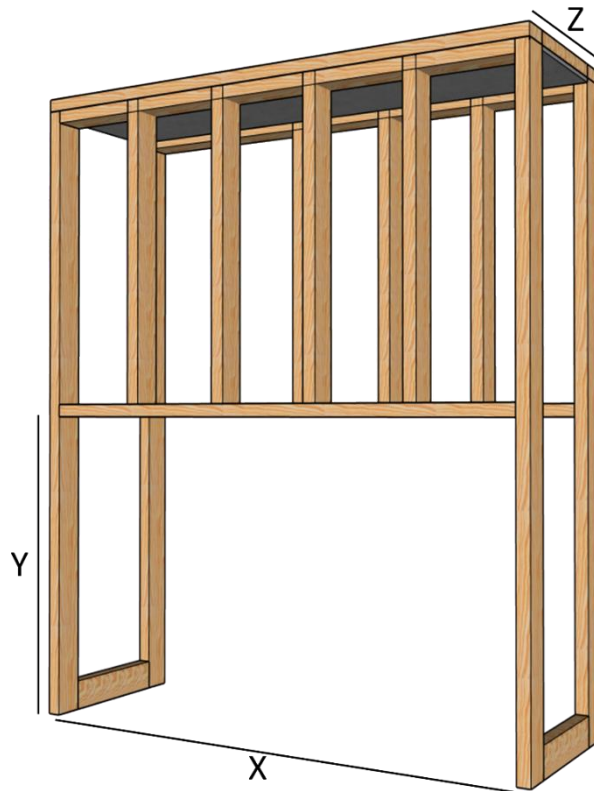
4" clearance to uncovered wood framing above the fireplace.

3" clearance to uncovered wood framing on sides of the fireplace.

### Recessed Installation



0 - 4" recommended overhang  
8" max. May be combustible material



**NOTE:** Dimension “Y” assumes the fireplace legs are set to the default height of 4”, placing the glass opening at 10” above the floor. This “Y” dimension can change based on where your client wants their viewing window.

\*All framing and finishing must be secured to your projects back wall, ceiling or floor and must never bear weight on the fireplace in any circumstance. For more information reference the [Installation Manual](#).

Stud to Stud Framing Around The Fireplace

Model		X	Y	Z	
				Flat Installation	Recess Installation (4")
30	IN	38 13/16	43 7/8	21 6/16	29 6/16
	MM	985	1114	543	746
45	IN	51 13/16	43 7/8	21 6/16	29 6/16
	MM	1316	1114	543	746
50	IN	58 8/16	43 7/8	21 6/16	29 6/16
	MM	1485	1114	543	746
60	IN	68 5/16	43 7/8	21 6/16	29 6/16
	MM	1735	1114	543	746
70	IN	78 3/16	43 7/8	21 6/16	29 6/16
	MM	1985	1114	543	746
80	IN	90 12/16	43 7/8	21 6/16	29 6/16
	MM	2305	1114	543	746
100	IN	107 11/16	43 7/8	21 6/16	29 6/16
	MM	2735	1114	543	746

### Air Intake

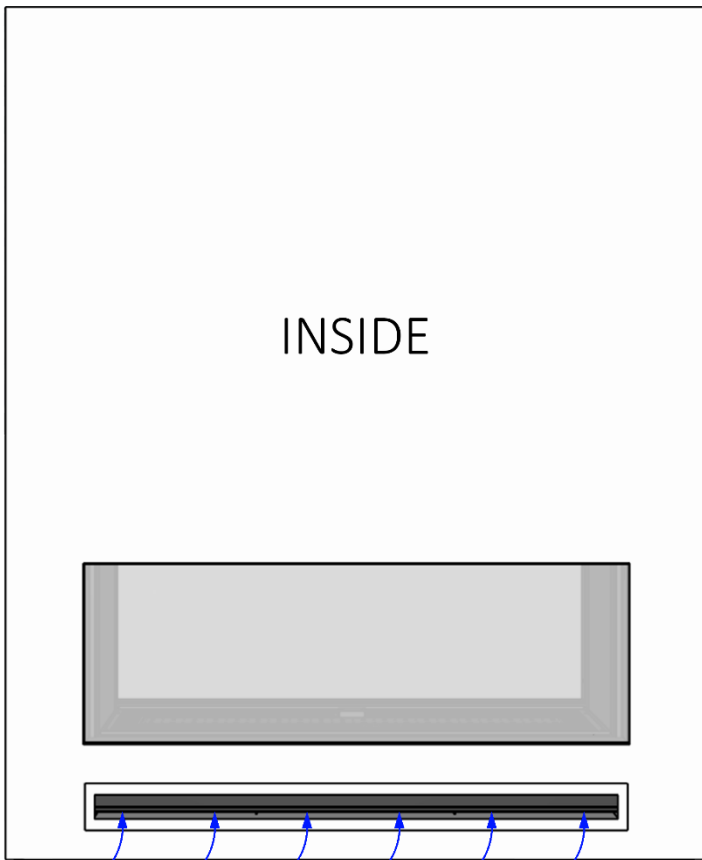
Air Intake Louvers			
Flare Model	Part Name	Description	SKU
Flare 45	LUV-100	100 SQ" Louver	<a href="#">LUV100</a>
Flare 50			
Flare 60	LUV-140	140 SQ" Louver	<a href="#">LUV140</a>
Flare 70			
Flare 80	LUV-200	200 SQ" Louver	<a href="#">LUV200</a>
Flare 100			

*\*Air intakes are required on Blower Kit and Cool Glass equipped fireplaces only.*

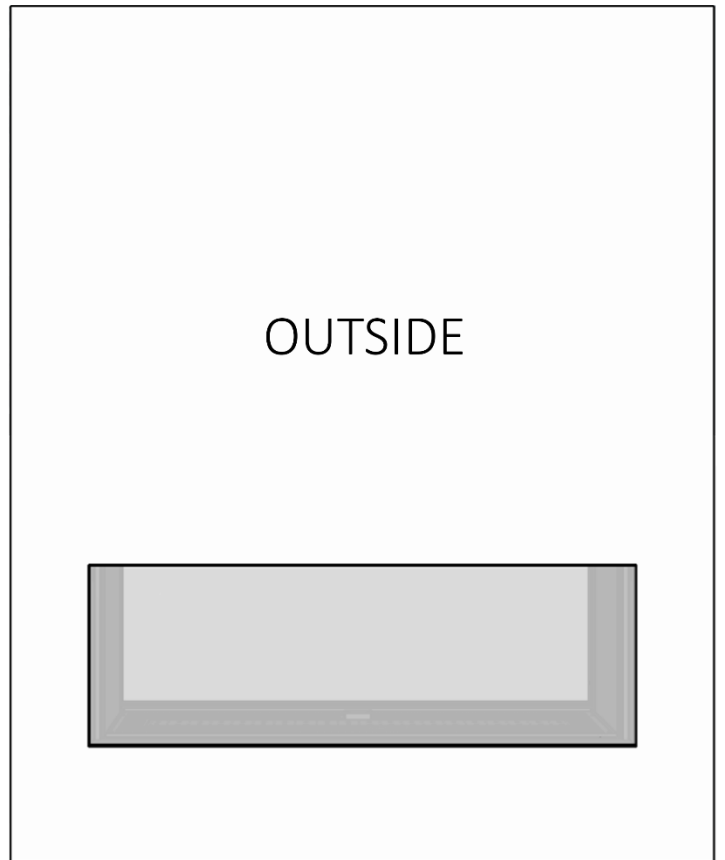
*\*\*Double the intake on see through and room definers, balancing size and positioning on both long sides.*

*\*\*\*Standardized air intake louvers are available, but designing a unique intake is acceptable.*

INSIDE



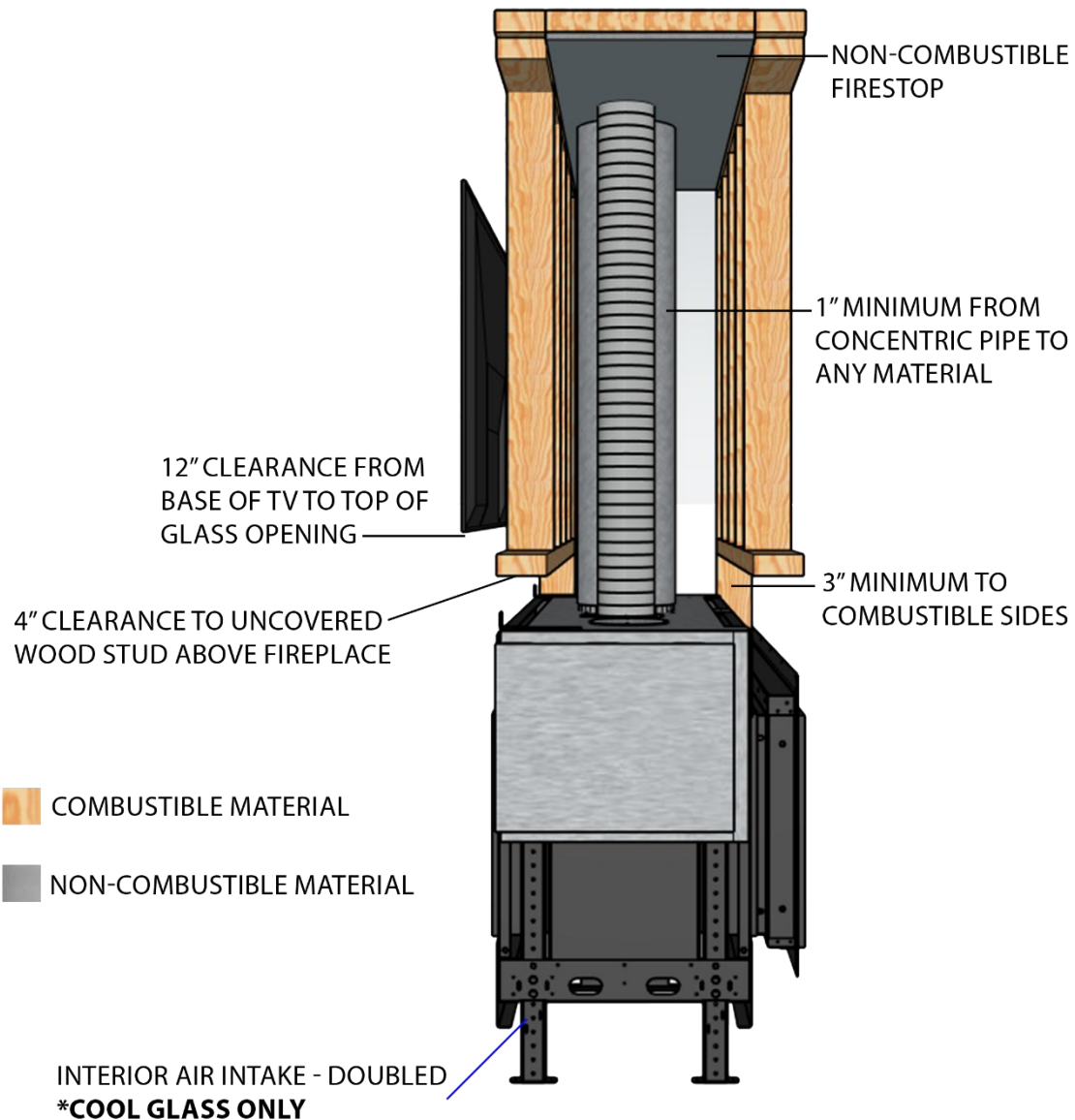
OUTSIDE



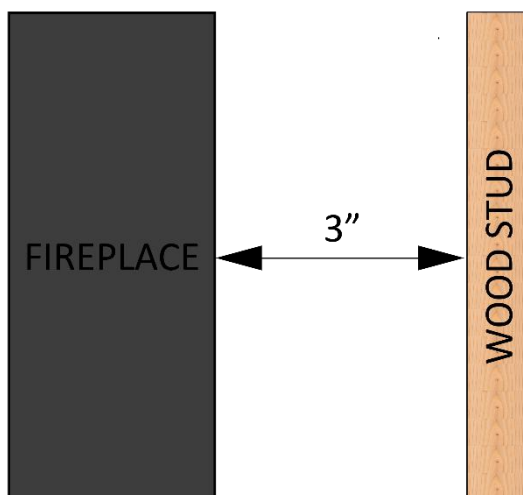
### Active Heat Flex Kit

The Passive Heat Flex System Includes:

- Active heat flex fan(s)
- 4" flex pipe adapters
- Active heat flex cover and sides
- 6" cover plates
- 4" – 6" cover plates



### Wood Framing Clearances and Materials Example



**\*Any combustible material found within the fireplace cavity must maintain a 3" clearance to the sides and back, and a 4" clearance to the top of the fireplace.**