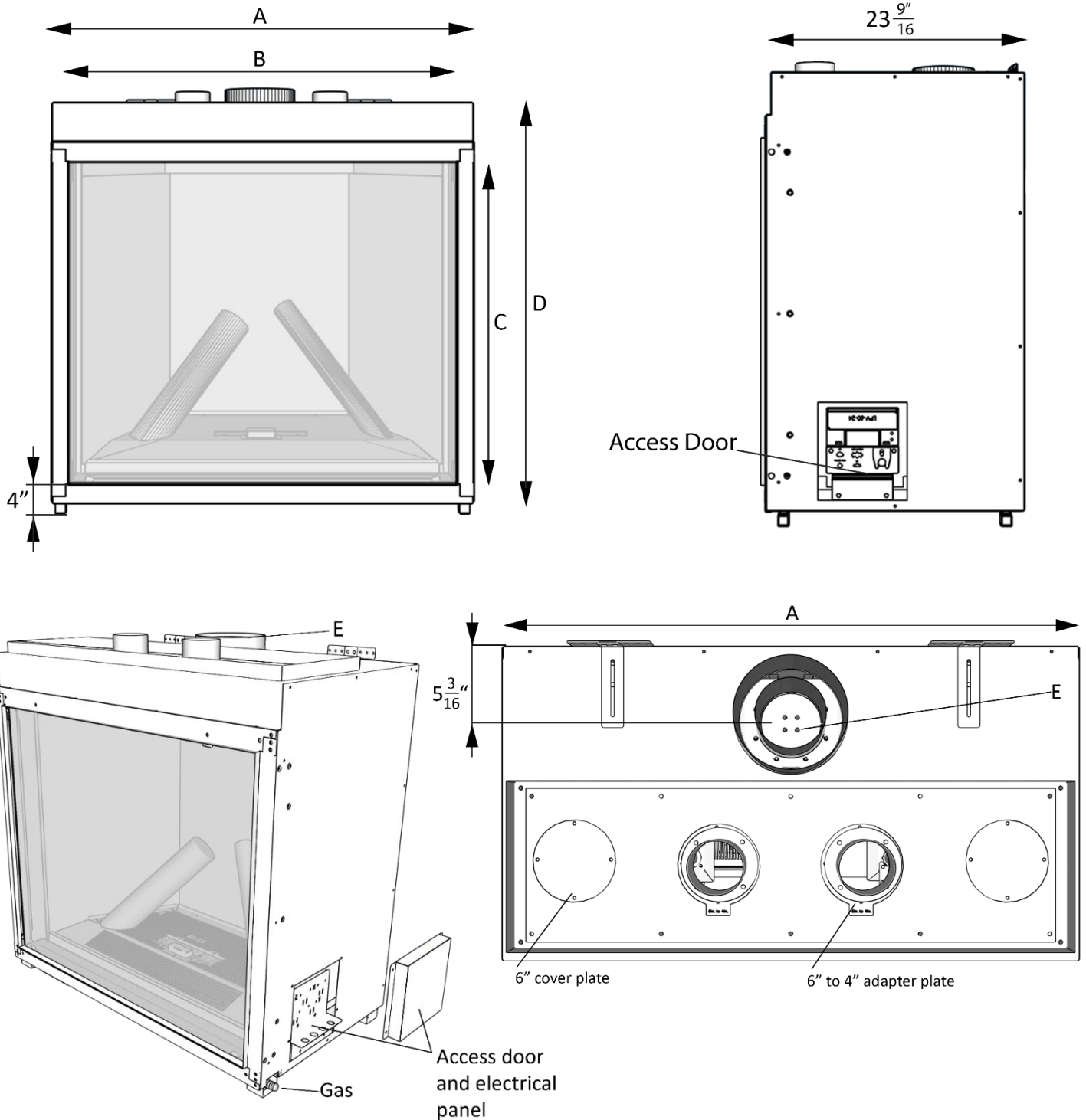
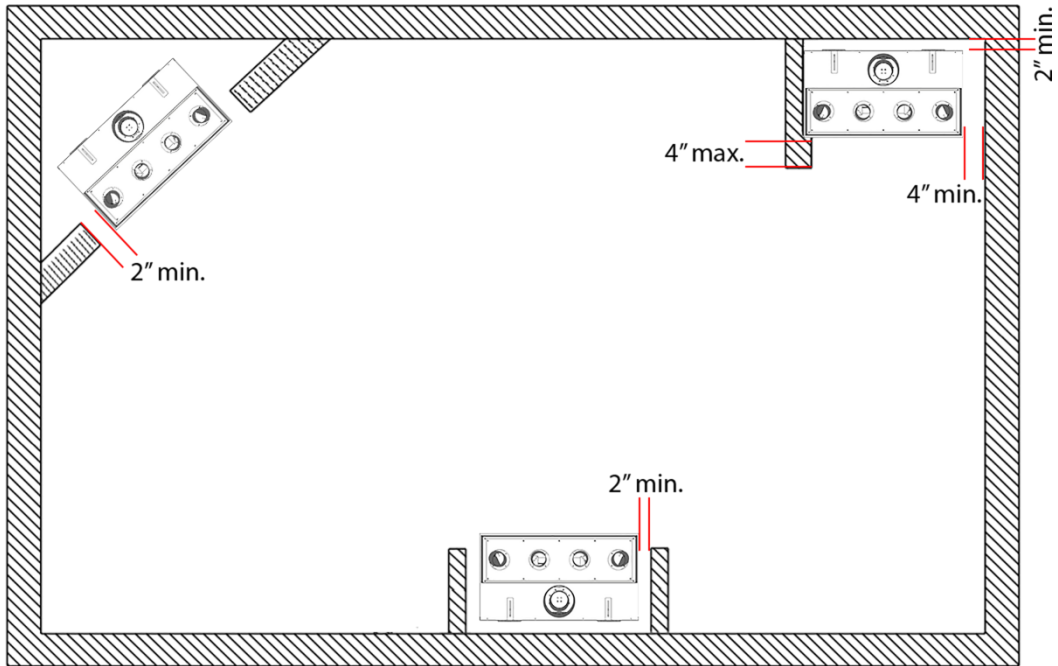


Fireplace Dimensions



Model		A	B	C	D	E
TR-42	IN	42 1/4	38 11/16	32	40 1/16	5x8
	MM	1073	982	812	1017	127x203
TR-46	IN	46	42 7/16	36	44	5x8
	MM	1168	1078	914	1117	127x203

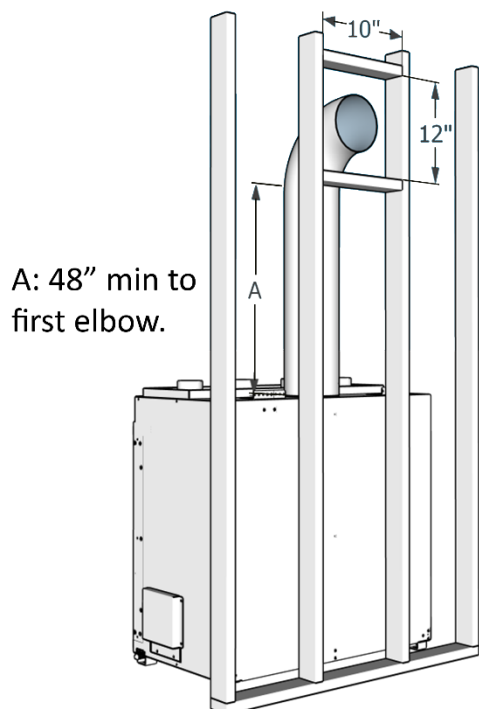
Clearances below are to non-combustible materials.



Chimney Installation

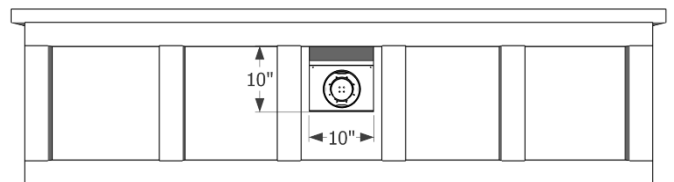
Horizontal Termination

For 5x8 vent pipe termination create a 10"x12" opening

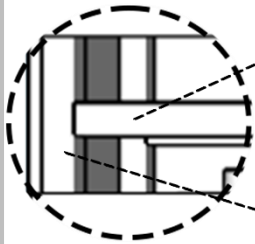
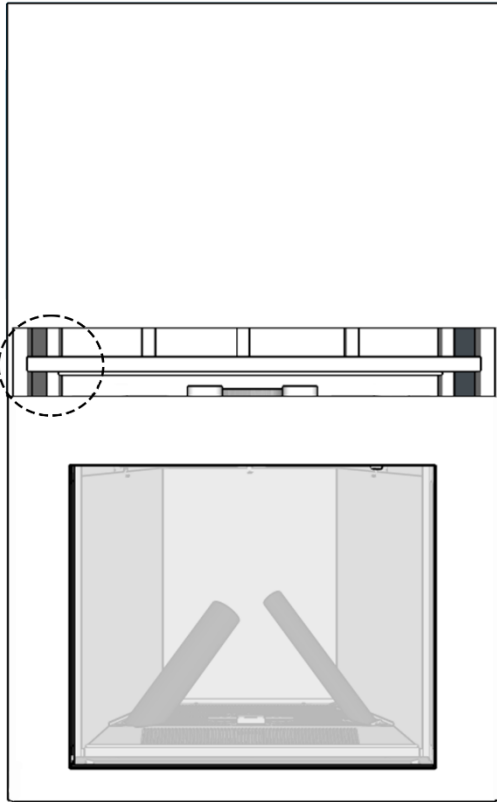


Vertical Termination

For 5x8 vent pipe termination create a 10"x10" opening



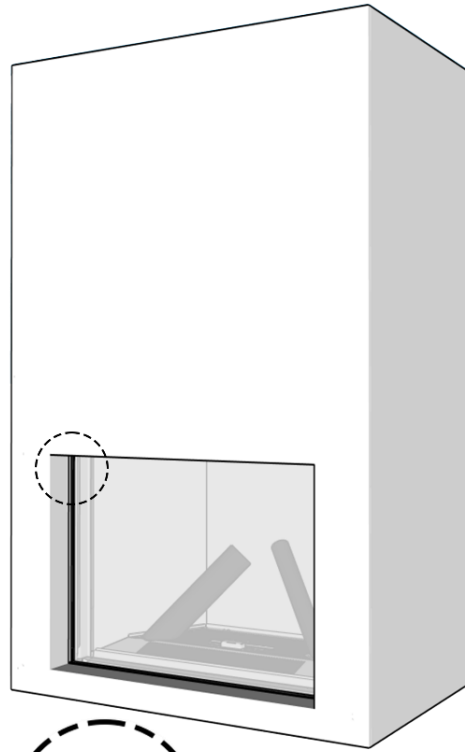
Flat Installation



4" clearance to uncovered wood framing above the fireplace.

3" clearance to uncovered wood framing on sides of the fireplace.

Recessed Installation



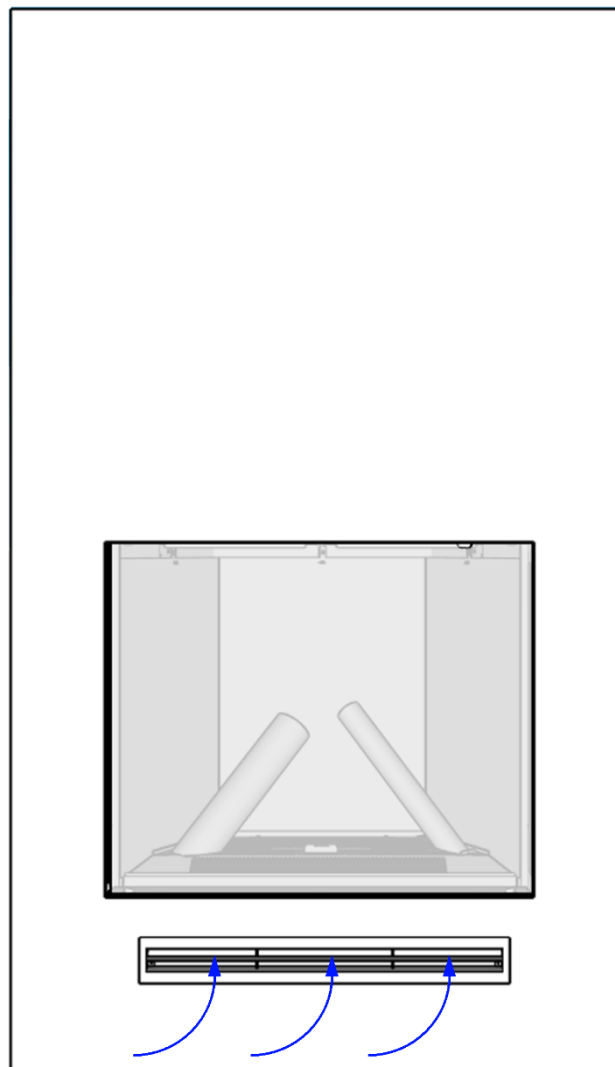
0 - 4" recommended overhang
8" max. May be combustible material.

Air Intake

Air Intake Louvers			
Flare Model	Part Name	Description	SKU
Flare 60	LUV-70	70 SQ" Louver	LUV70

**Air intakes are required on Blower Kit and Cool Glass equipped fireplaces only.*

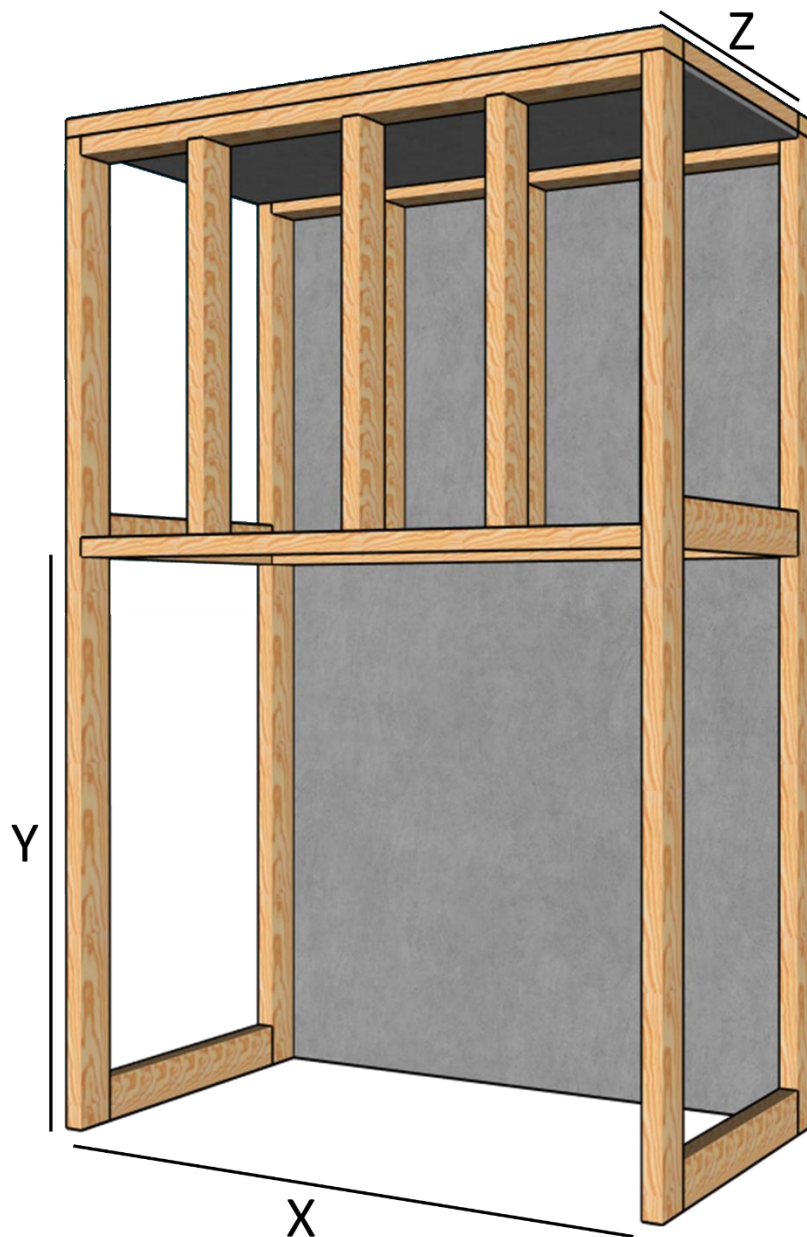
****Standardized air intake louvers are available, but designing a unique intake is acceptable.*



Active Heat Flex Kit

The Passive Heat Flex System Includes:

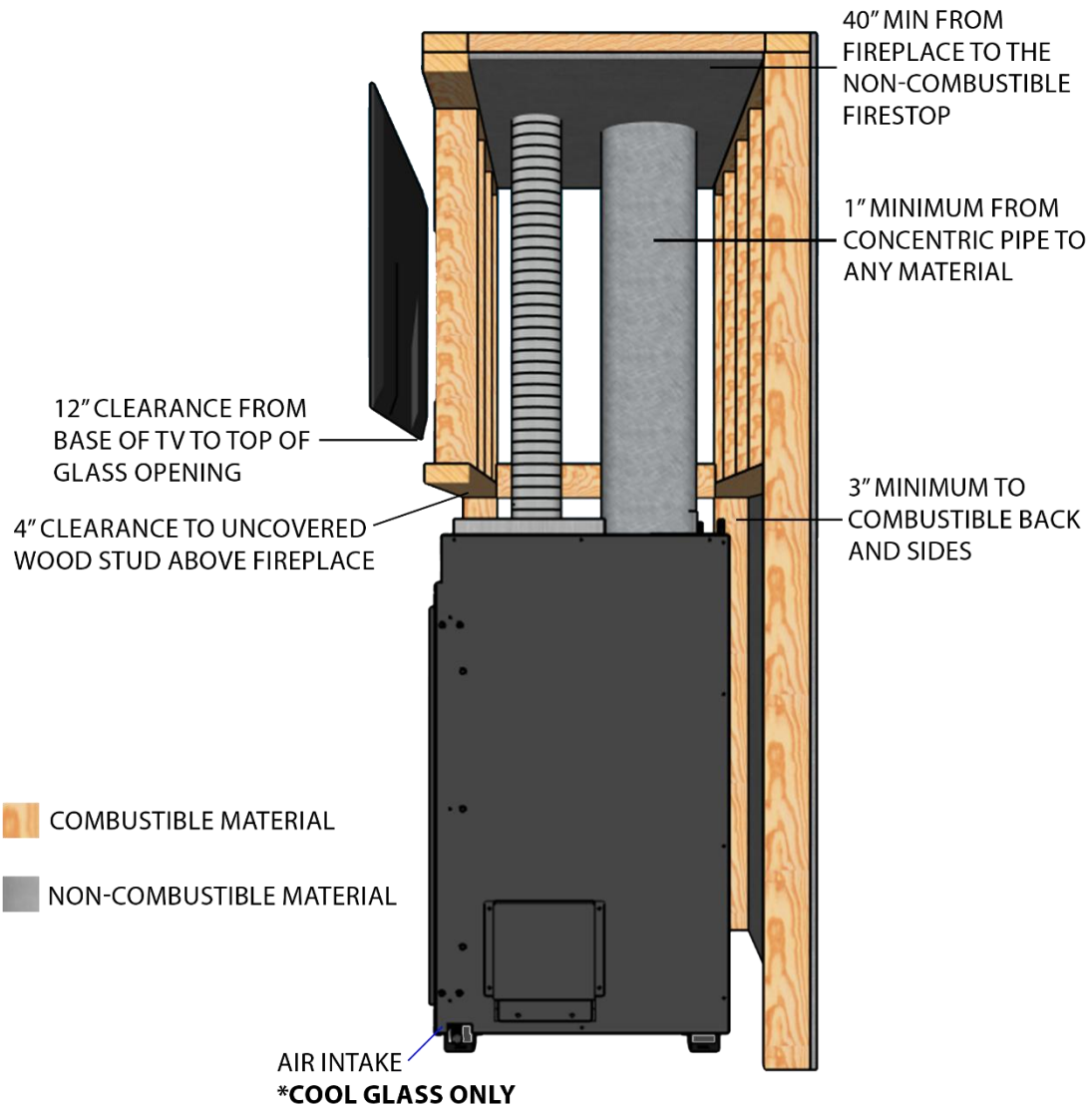
- Active heat flex fan(s)
- 4" flex pipe adapters
- Active heat flex cover and sides
- 6" cover plates
- 4" – 6" cover plates



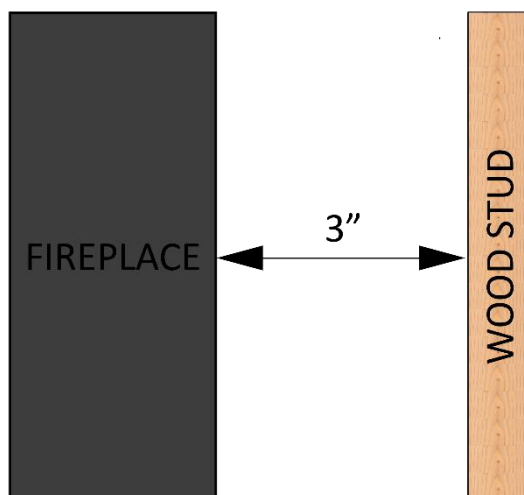
NOTE: Dimension “Y” assumes the fireplace legs are set to the default height of 2”, placing the glass opening at 4” above the floor. This “Y” dimension can change based on where your client wants their viewing window.

*All framing and finishing must be secured to your projects back wall, ceiling or floor and must never bear weight on the fireplace in any circumstance. For more information reference the [Installation Manual](#).

Model		X	Y	Z	
				FLAT	4" RECESS
TR-42	IN	48 1/4	45 3/8	26 9/16	30 9/16
	MM	1225	1152.5	674	776
TR-46	IN	52	45 3/8	26 9/16	30 9/16
	MM	1320	1152.5	674	776



Wood Framing Clearances and Materials Example



*Any combustible material found within the fireplace cavity must maintain a 3" clearance to the sides and back, and a 4" clearance to the top of the fireplace.