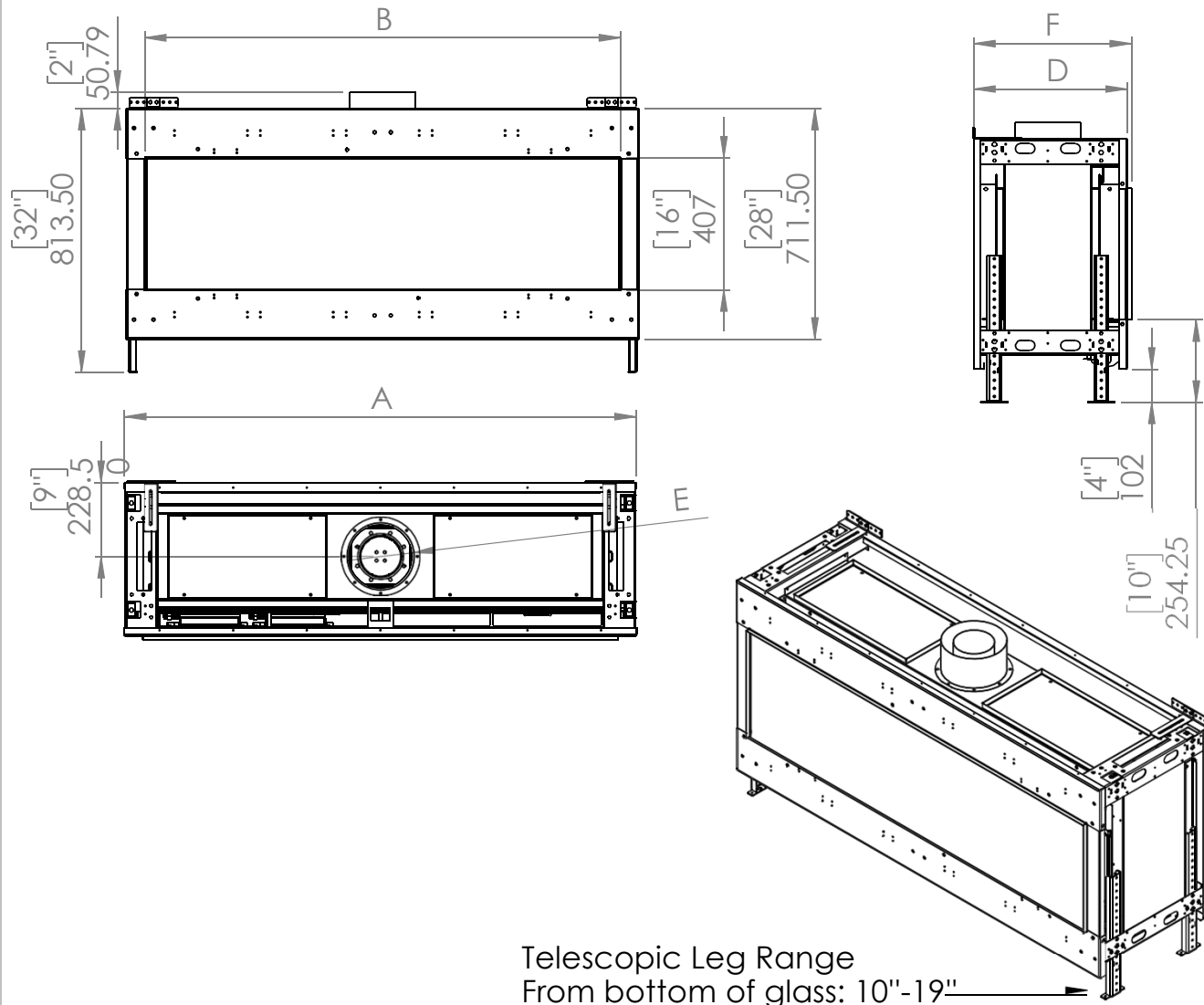


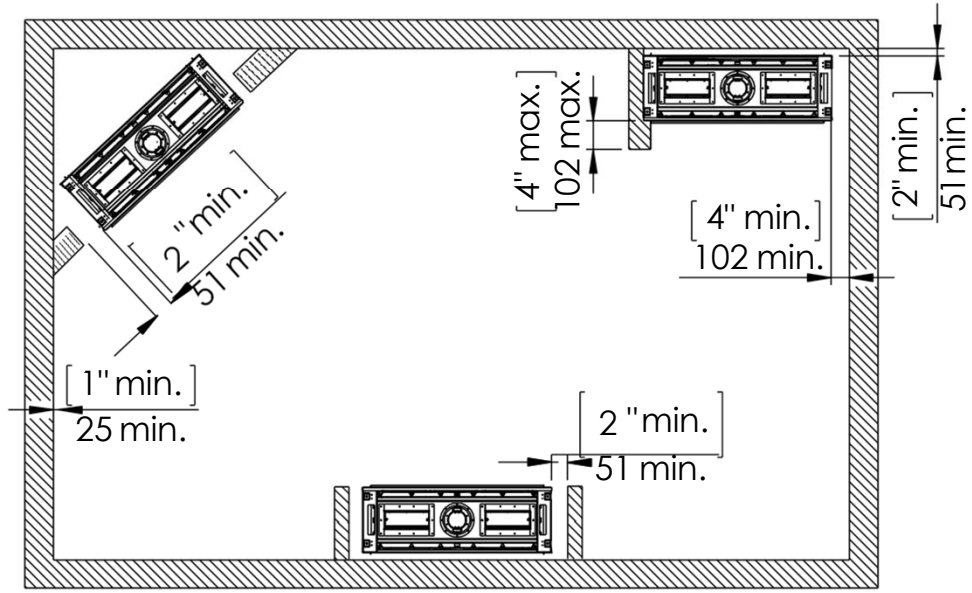
Fireplace Dimensions



Telescopic Leg Range
From bottom of glass: 10"-19"

Model	45	50	60	70	80	100
A- Inch	45 9/16	52 5/16	62 2/16	71 15/16	84 9/16	101 8/16
B- Inch	41 4/16	47 15/16	57 13/16	67 10/16	80 4/16	97 3/16
F- Inch	19 2/16	19 2/16	19 2/16	19 2/16	19 2/16	19 2/16
D- Inch	18 10/16	18 10/16	18 10/16	18 10/16	18 10/16	18 10/16
E- Inch	4x6	5x8	5x8	5x8	5x8	5x8

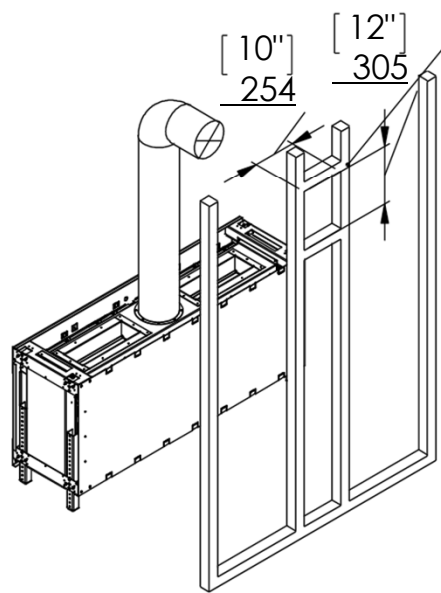
Clearances below are to non-combustible materials.



Chimney Installation

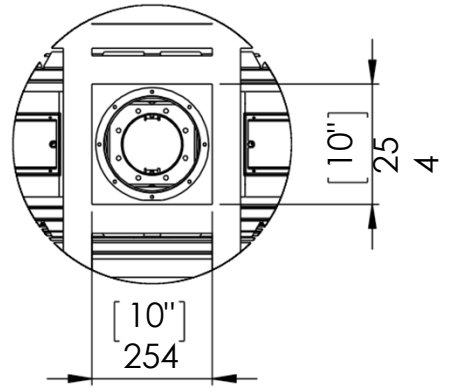
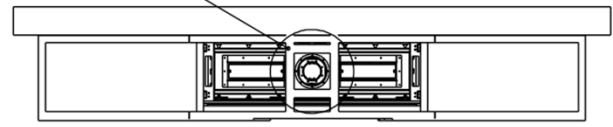
Horizontal Termination

For 5 x 8 vent size create 10" x 12" vent termination opening

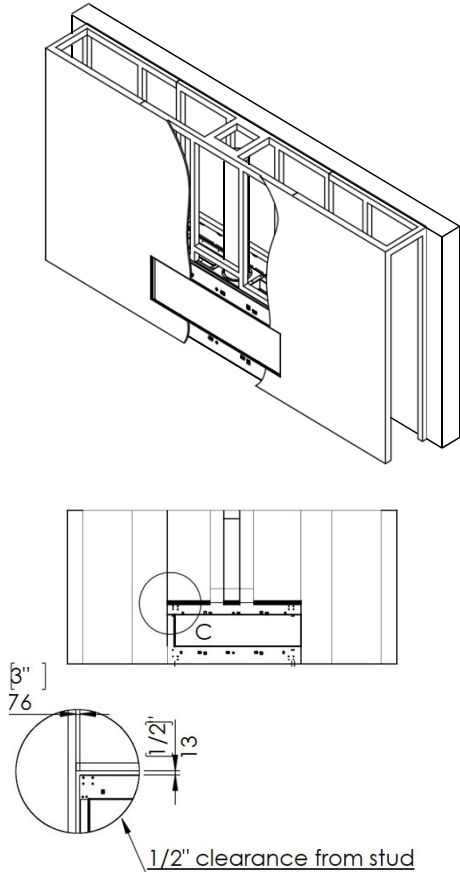


Vertical Termination

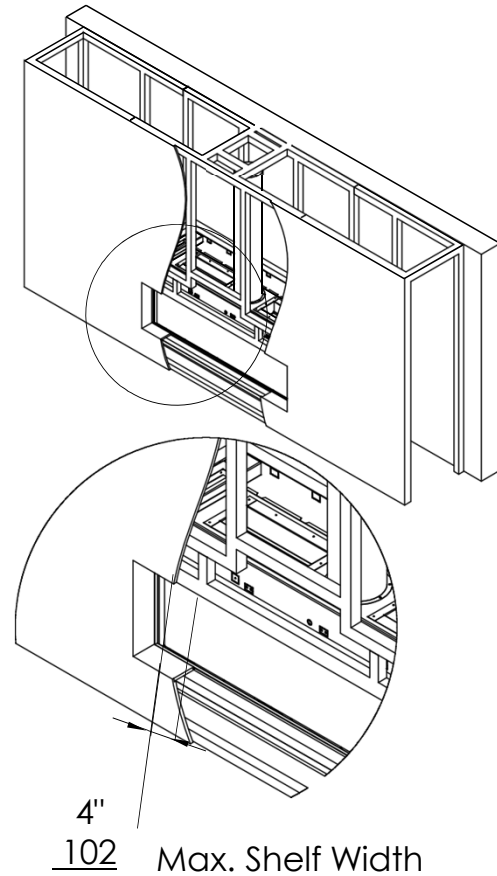
For 5 x 8 vent size create 10" x 10" vent termination opening



Flat Installation Example



L Shape Installation Example



Heat Release and Air Intakes

The following sizes MUST be maintained for the upper heat release:

For fireplaces sized **80" & 100"** – open vent area must be at least **200 square inches**.

For fireplaces sized **60" & 70"** – open vent area must be at least **140 square inches**.

For fireplace sized **50"** and below – open vent area must be at least **100 square inches**.

The following sizes MUST be maintained for the lower air intake:

For fireplaces sized **80" & 100"** – open vent area must be at least **100 square inches**.

For fireplaces sized **60" & 70"** – open vent area must be at least **70 square inches**.

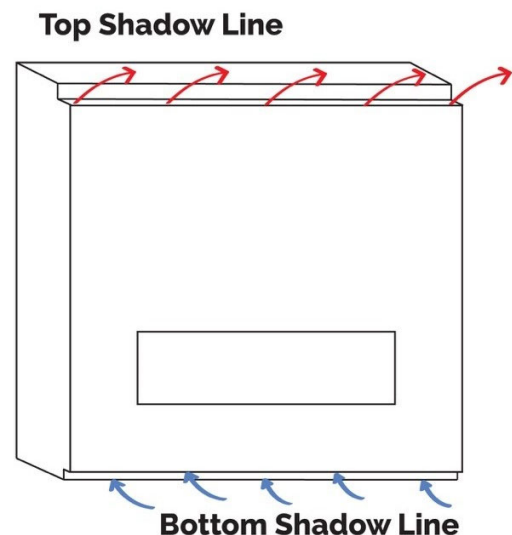
For fireplaces sized **50"** and below – open vent area must be at least **50 square inches**.

For See Through and Room Definer fireplaces, the air intake requirements are **double**.

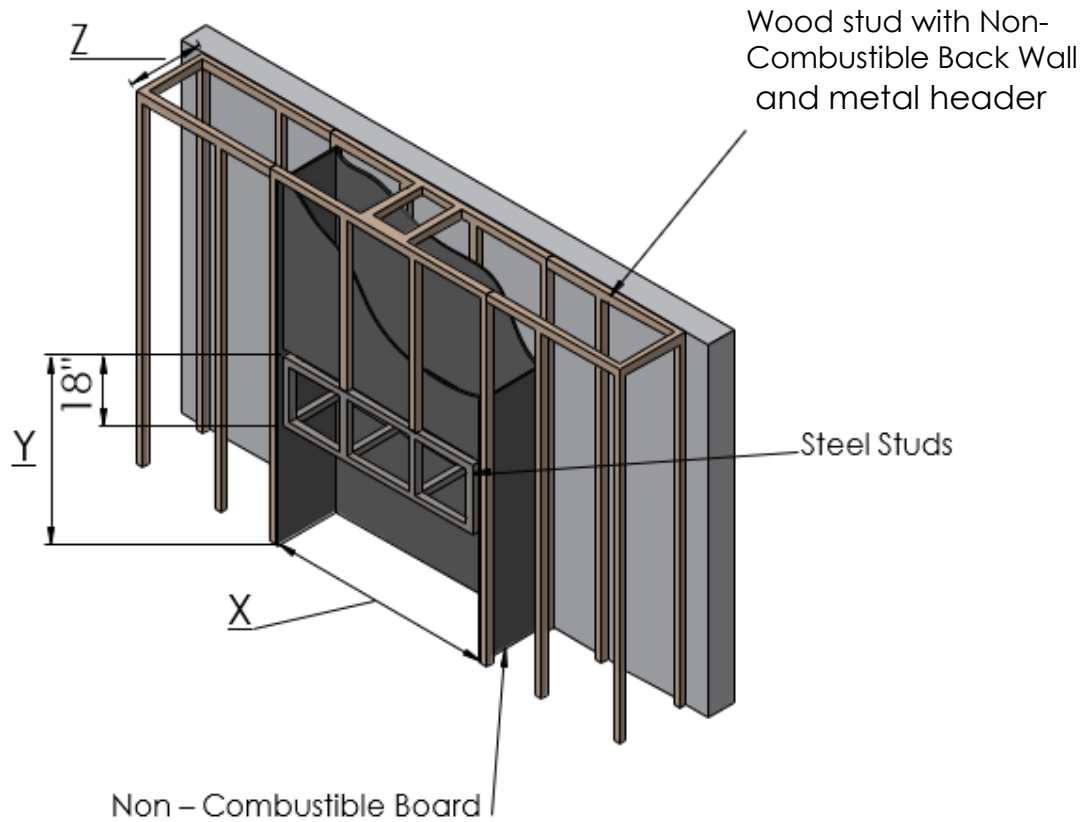
NOTE: Openings above for Heat Release and Air Intake are measured for open air space. BE SURE TO CALCULATE FOR RESTRICTIONS IN GRATING.

NOTE: On all See Through and Room Definer units the air intake must be doubled

Air Intakes required for Double Glass or Optional Blower kits ONLY.



Wood Framing Dimensions



NOTE: Dimension 'Y' uses legs at default lowest height 4" below the unit with glass beginning 10" above the floor. Increase leg height and Y dimension for higher viewing window.

		X	Y	Z	
				Flat Installation	Recess Installation (4" Max)
45	Inch	51 ⁹ / ₁₆	50 ⁸ / ₁₆	21 ¹⁰ / ₁₆	25 ¹⁰ / ₁₆
	mm	1294	1283	549	651
50	Inch	58 ⁵ / ₁₆	50 ⁸ / ₁₆	21 ¹⁰ / ₁₆	25 ¹⁰ / ₁₆
	mm	1481	1283	549	651
60	Inch	68 ² / ₁₆	50 ⁸ / ₁₆	21 ¹⁰ / ₁₆	25 ¹⁰ / ₁₆
	mm	1730	1283	549	651
70	Inch	77 ¹⁵ / ₁₆	50 ⁸ / ₁₆	21 ¹⁰ / ₁₆	25 ¹⁰ / ₁₆
	mm	1980	1283	549	651
80	Inch	90 ⁹ / ₁₆	50 ⁸ / ₁₆	21 ¹⁰ / ₁₆	25 ¹⁰ / ₁₆
	mm	2300	1283	549	651
100	Inch	107 ⁸ / ₁₆	50 ⁸ / ₁₆	21 ¹⁰ / ₁₆	25 ¹⁰ / ₁₆
	mm	2731	1283	549	651