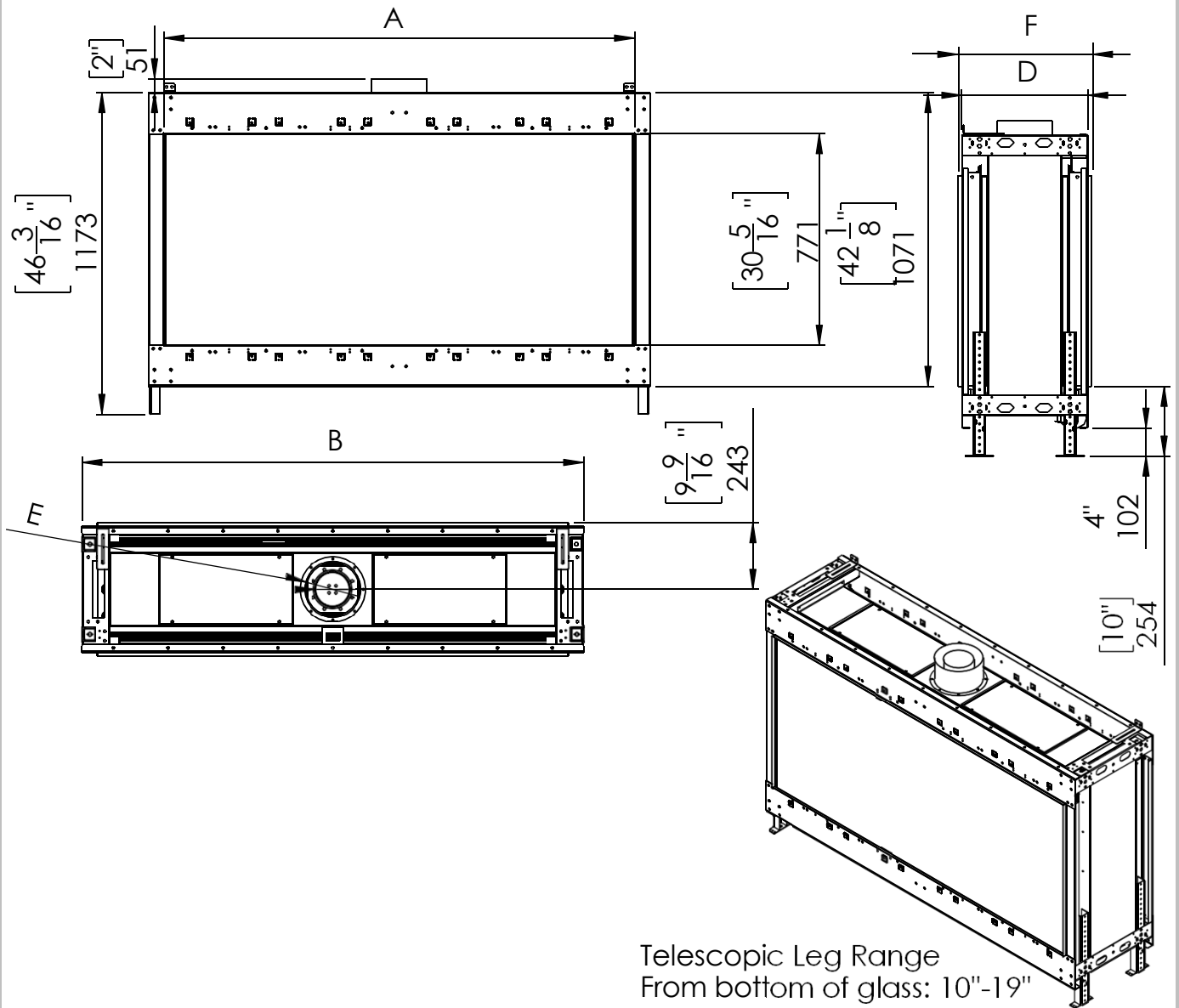
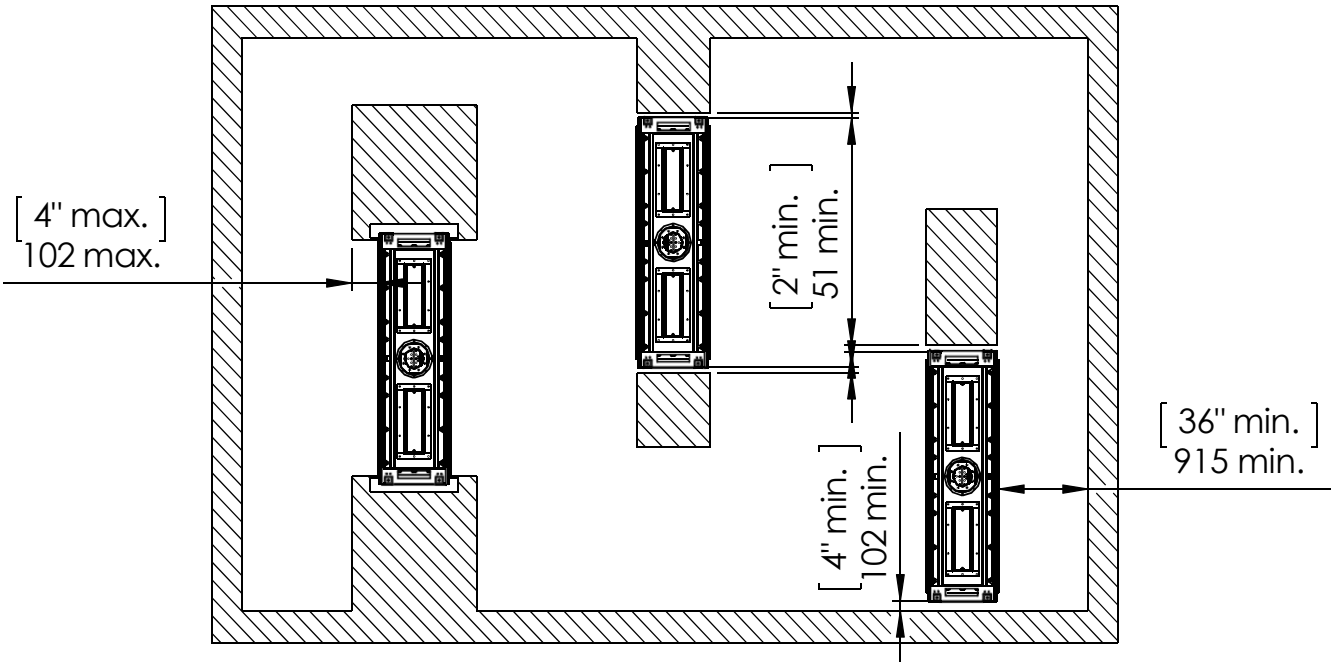


## Fireplace Dimensions



Model	45	50	60	70	80	100
A- Inch	45 $\frac{13}{16}$	52 $\frac{8}{16}$	62 $\frac{5}{16}$	72 $\frac{3}{16}$	84 $\frac{12}{16}$	101 $\frac{11}{16}$
B- Inch	41 $\frac{4}{16}$	47 $\frac{15}{16}$	57 $\frac{13}{16}$	67 $\frac{10}{16}$	80 $\frac{4}{16}$	97 $\frac{3}{16}$
F- Inch	20 $\frac{4}{16}$	20 $\frac{4}{16}$	20 $\frac{4}{16}$	20 $\frac{4}{16}$	20 $\frac{4}{16}$	20 $\frac{4}{16}$
D- Inch	19 $\frac{4}{16}$	19 $\frac{4}{16}$	19 $\frac{4}{16}$	19 $\frac{4}{16}$	19 $\frac{4}{16}$	19 $\frac{4}{16}$
E- Inch	4x6	5x8	5x8	5x8	5x8	5x8

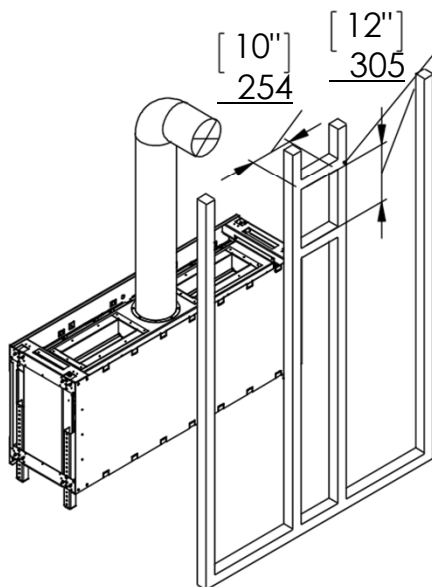
Clearances below are to non-combustible materials.



## Chimney Installation

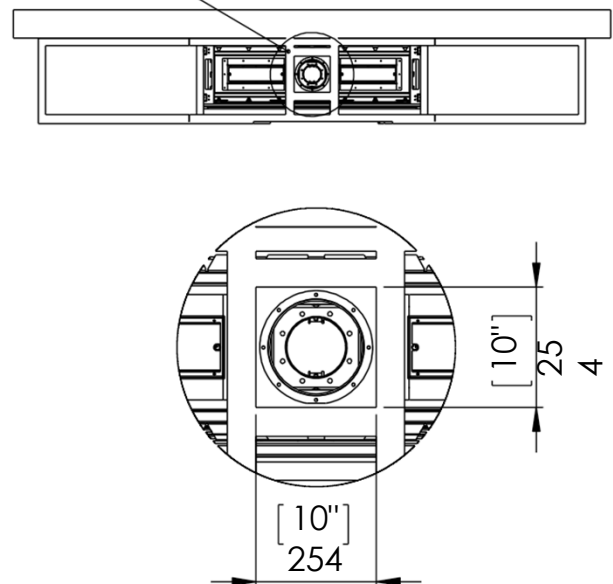
### Horizontal Termination

For 5 x 8 vent size create 10" x 12" vent termination opening

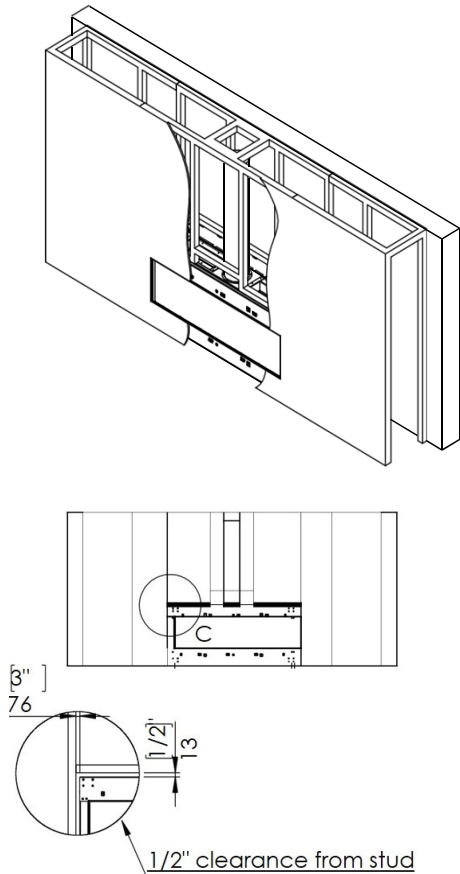


### Vertical Termination

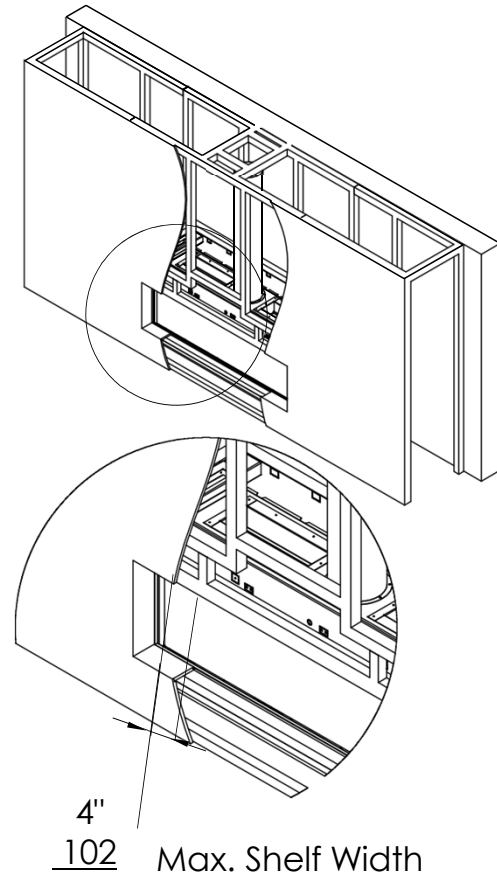
For 5 x 8 vent size create 10" x 10" vent termination opening



## Flat Installation Example



## L Shape Installation Example



## Heat Release and Air Intakes

### **The following sizes MUST be maintained for the upper heat release:**

For fireplaces sized **80" & 100"** – open vent area must be at least **200 square inches**.

For fireplaces sized **60" & 70"** – open vent area must be at least **140 square inches**.

For fireplace sized **50"** and below – open vent area must be at least **100 square inches**.

### **The following sizes MUST be maintained for the lower air intake:**

For fireplaces sized **80" & 100"** – open vent area must be at least **100 square inches**.

For fireplaces sized **60" & 70"** – open vent area must be at least **70 square inches**.

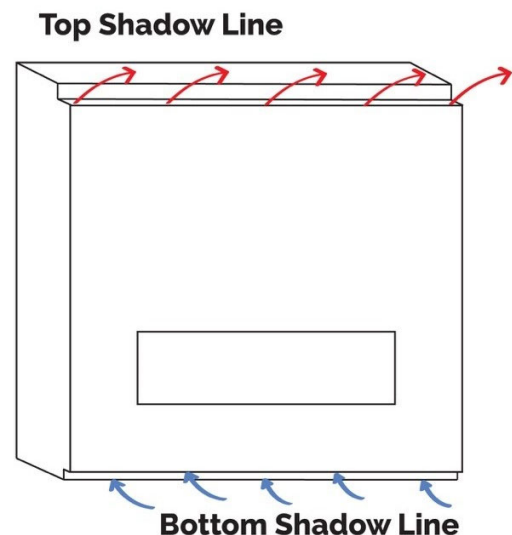
For fireplaces sized **50"** and below – open vent area must be at least **50 square inches**.

For See Through and Room Definer fireplaces, the air intake requirements are **double**.

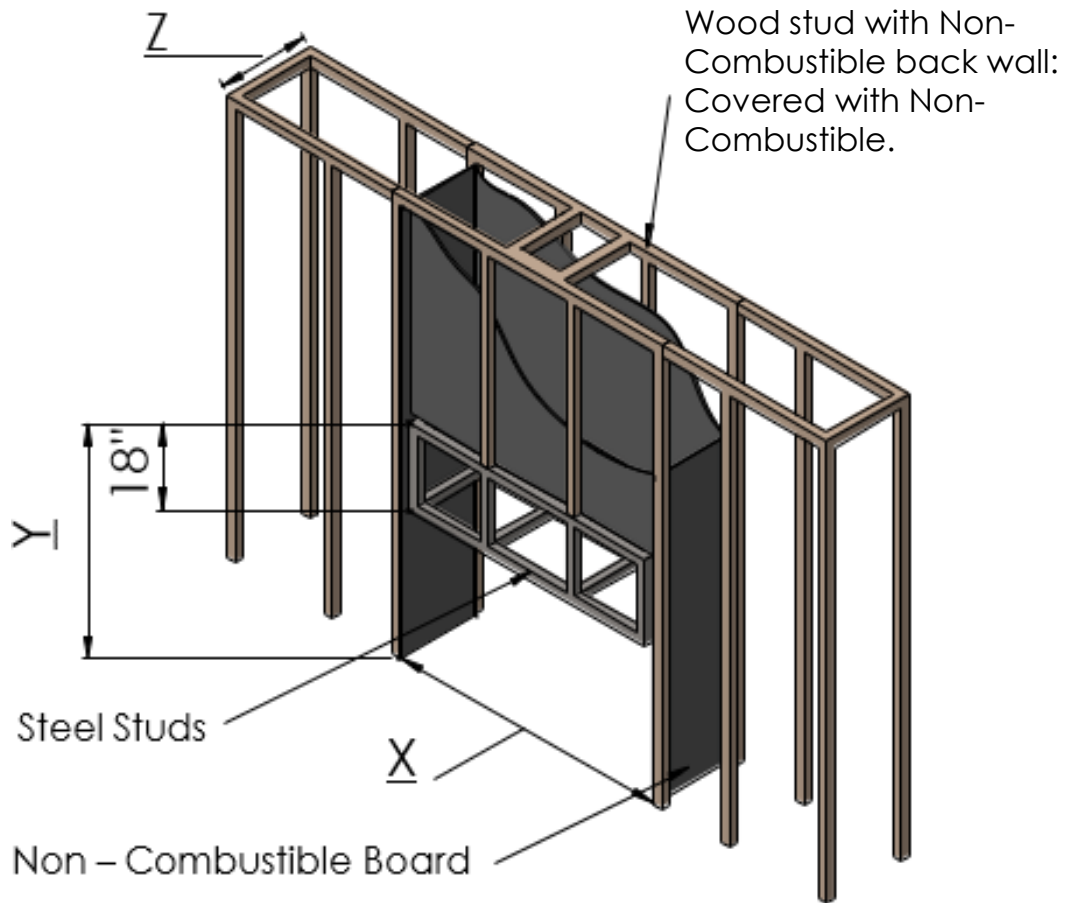
**NOTE: Openings above for Heat Release and Air Intake are measured for open air space. BE SURE TO CALCULATE FOR RESTRICTIONS IN GRATING.**

**NOTE: On all See Through and Room Definer units the air intake must be doubled**

Air Intakes required for Double Glass or Optional Blower kits ONLY.



# Wood Framing Dimensions



**NOTE:** Dimension 'Y' uses legs at default lowest height 4" below the unit with glass beginning 10" above the floor. Increase leg height and Y dimension for higher viewing window.

		X	Y	Z	
				Flat Installation	Recess Installation ( 4" Max)
45	Inch	51 <sup>13</sup> / <sub>16</sub>	64 <sup>11</sup> / <sub>16</sub>	22 <sup>4</sup> / <sub>16</sub>	26 <sup>4</sup> / <sub>16</sub>
	mm	1300	1643	565	667
50	Inch	58 <sup>8</sup> / <sub>16</sub>	64 <sup>11</sup> / <sub>16</sub>	22 <sup>4</sup> / <sub>16</sub>	26 <sup>4</sup> / <sub>16</sub>
	mm	1486	1643	565	667
60	Inch	68 <sup>5</sup> / <sub>16</sub>	64 <sup>11</sup> / <sub>16</sub>	22 <sup>4</sup> / <sub>16</sub>	26 <sup>4</sup> / <sub>16</sub>
	mm	1735	1643	565	667
70	Inch	78 <sup>3</sup> / <sub>16</sub>	64 <sup>11</sup> / <sub>16</sub>	22 <sup>4</sup> / <sub>16</sub>	26 <sup>4</sup> / <sub>16</sub>
	mm	1986	1643	565	667
80	Inch	90 <sup>12</sup> / <sub>16</sub>	64 <sup>11</sup> / <sub>16</sub>	22 <sup>4</sup> / <sub>16</sub>	26 <sup>4</sup> / <sub>16</sub>
	mm	2305	1643	565	667
100	Inch	107 <sup>11</sup> / <sub>16</sub>	64 <sup>11</sup> / <sub>16</sub>	22 <sup>4</sup> / <sub>16</sub>	26 <sup>4</sup> / <sub>16</sub>
	mm	2735	1643	565	667